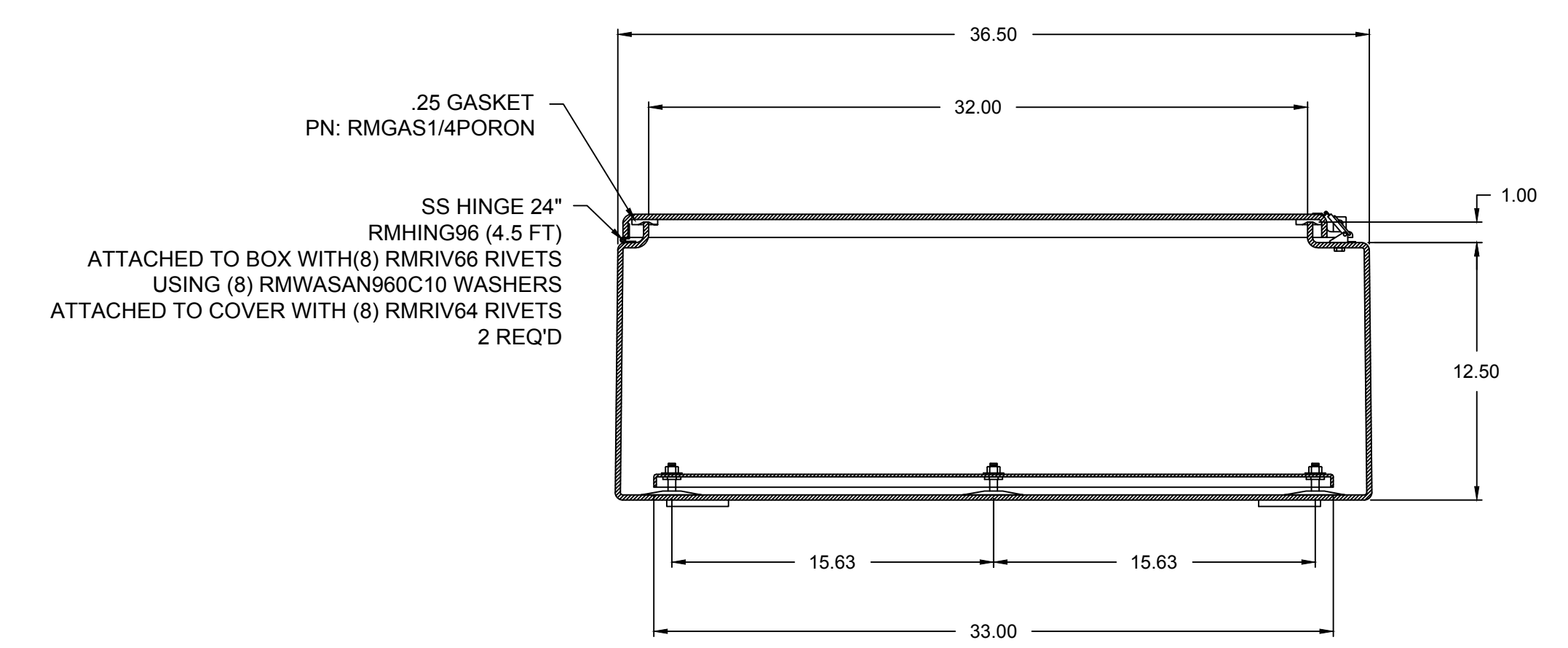
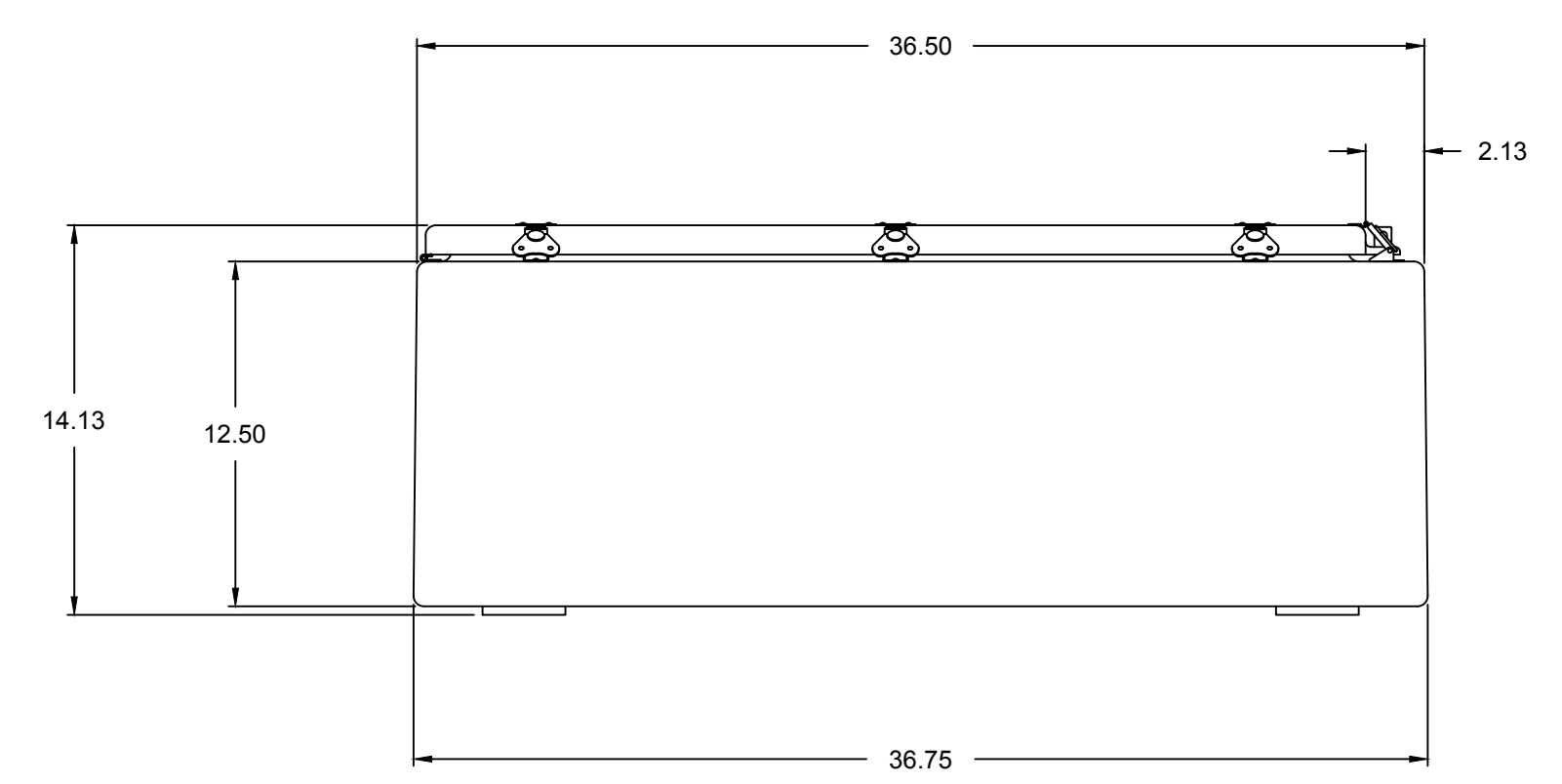


SECTION B-B



SECTION A-A

THIS DRAWING IS THE SOLE AND EXCLUSIVE PROPERTY OF ROBROY ENCLOSURES. NO PART OF THIS DRAWING MAY BE REPRODUCED, DISTRIBUTED, OR PUBLICALLY DISPLAYED IN ANY FORM OR BY ANY MEANS WITHOUT THE EXPRESS WRITTEN PERMISSION OF ROBROY ENCLOSURES. ALL RIGHTS RESERVED. UNDER THE COPYRIGHT LAWS. COPYRIGHT © 2017 ROBROY ENCLOSURES

SPECIAL REQUIREMENTS			
<b>ASSEMBLY</b>			
1. ALL RIVET HOLES FOR LATCH, KEEPER, AND HINGE APPLY SILICONE IN THRU HOLE AND ON TOP OF RIVETS.			
2. TYP WALL THICKNESS: 0.250			

NEMA 250: TYPE 1, 3, 3R, 4X, 12 IEC 60529: IP66 COLOR: GLACIER GRAY (WRP3X13) COLOR STANDARD: PANTONE 428 C	STANDARD P/N: T603612HWT CUSTOMER DWG:	ALL DIMENSIONS ARE IN INCHES UNLESS OTHERWISE SPECIFIED	TOLERANCES UNLESS SPECIFIED .XX ± 0.03 .XXX ± 0.010
MATERIAL: FIBERGLASS REINFORCED POLYESTER (FRP)		<b>ATTABOX</b> Robroy Enclosur 500 Maple St Belding, Michigan 488 Phone: 616-794-07 Fax: 616-749-33	
REVISION HISTORY			
REV	DESCRIPTION	DATE	ENG
-	-	-	-
-	-	-	-
-	-	-	-
-	-	-	-
-	-	-	-
-	-	-	-
DRAWN BY: E91		DATE: 05/24/17	CUSTOMER
SCALE: DO NOT SCALE		DESCRIPTION: STANDARD ENCLOSURE	PART NUMBER: ATT603612HWT