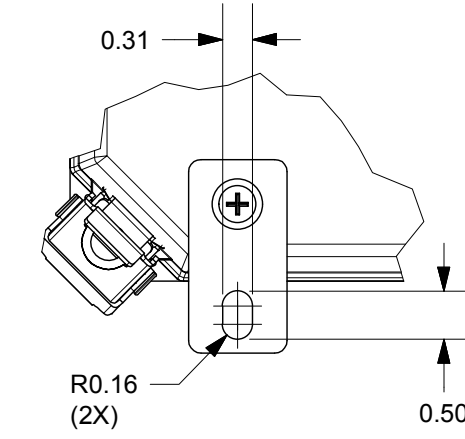
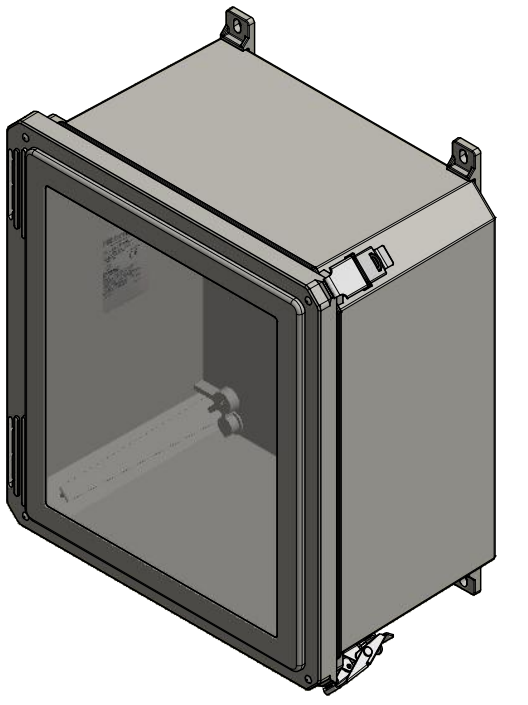


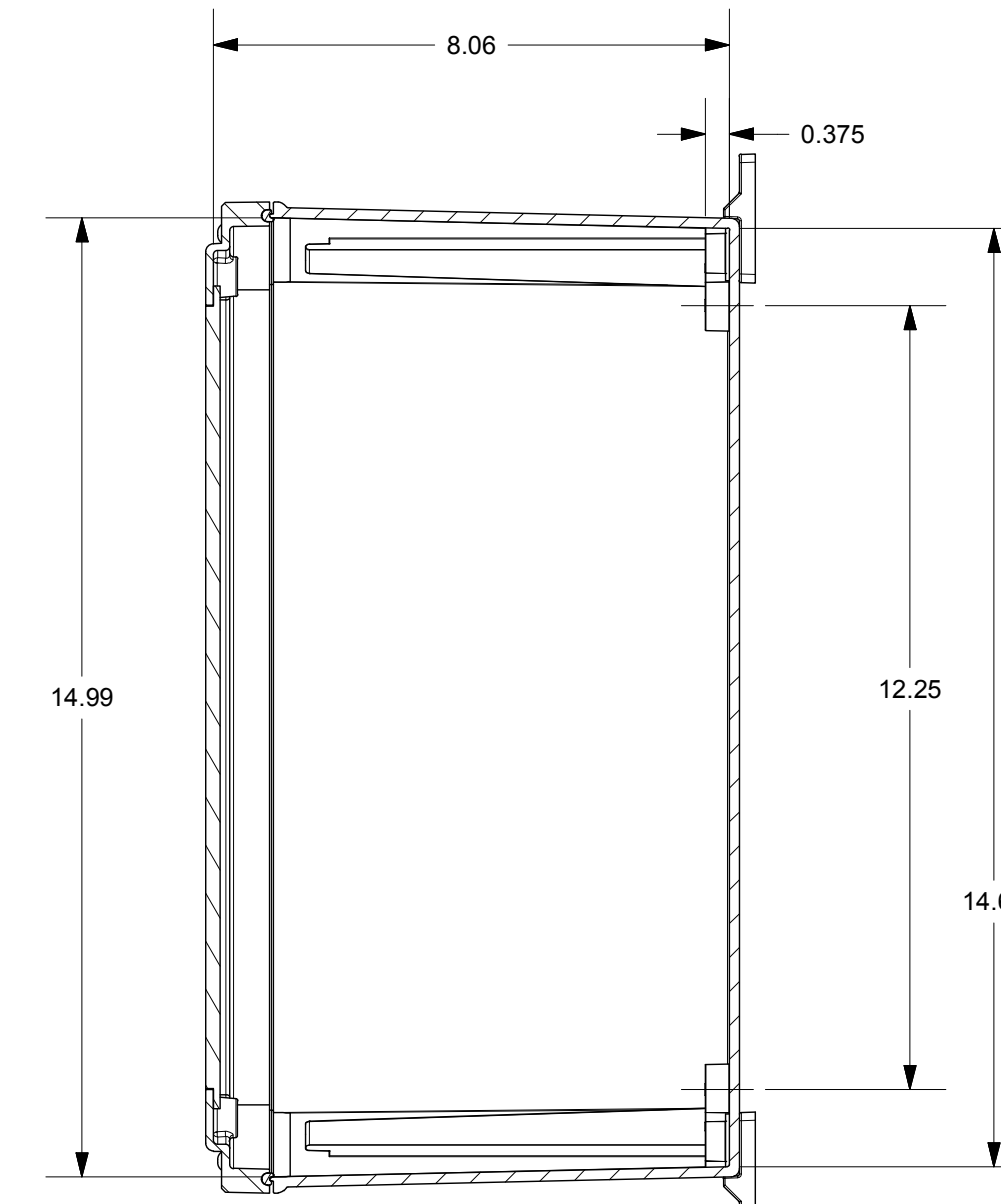
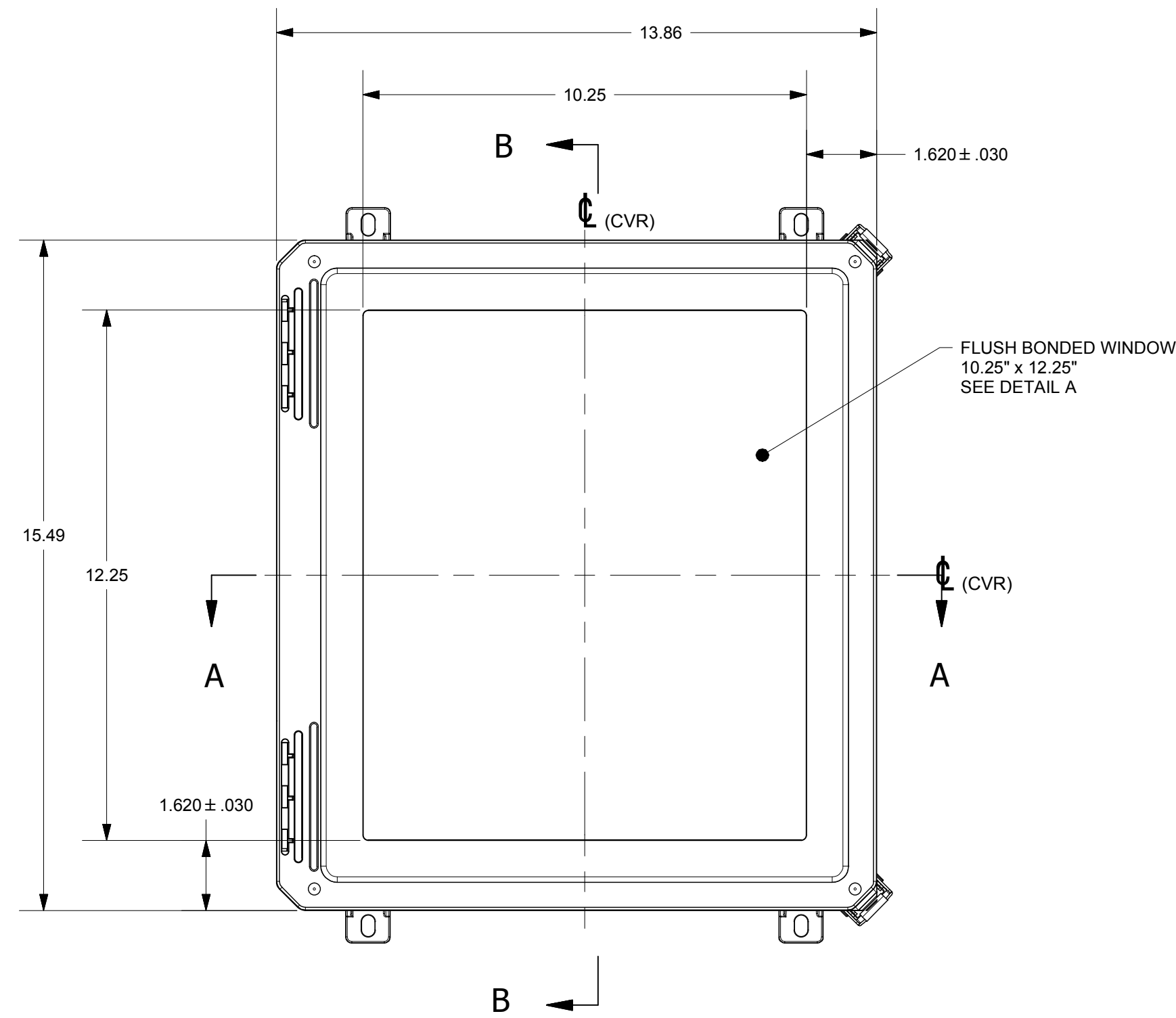
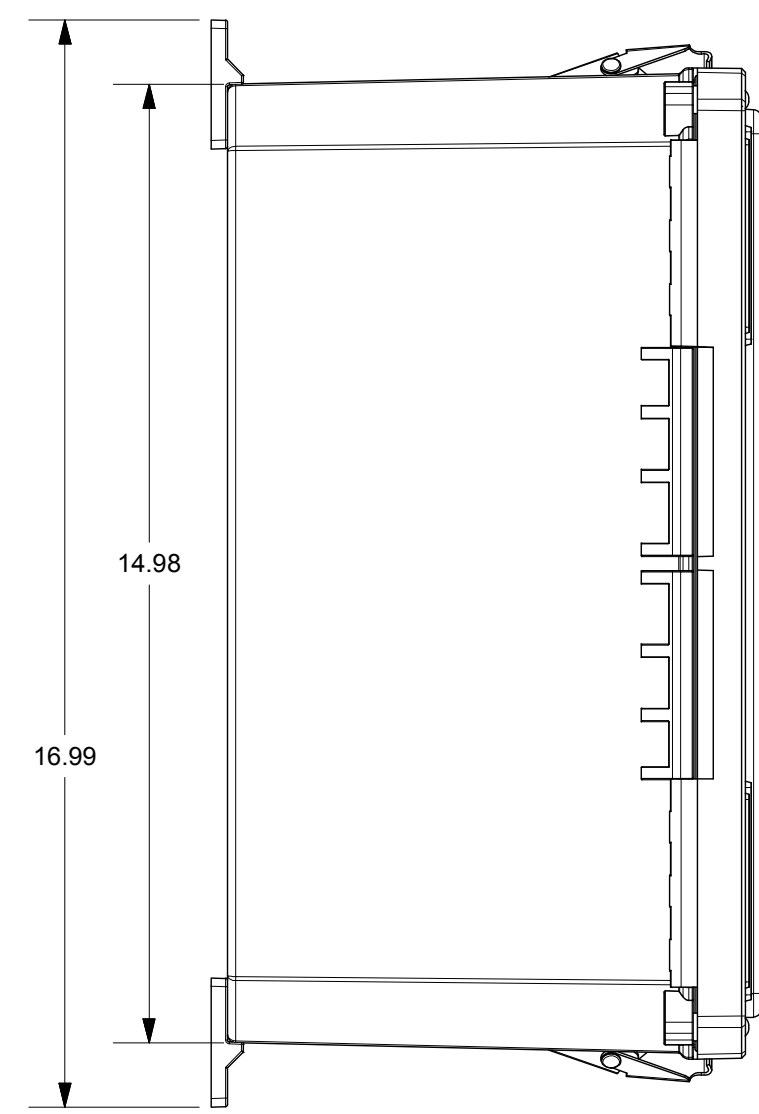
SECTION A-A



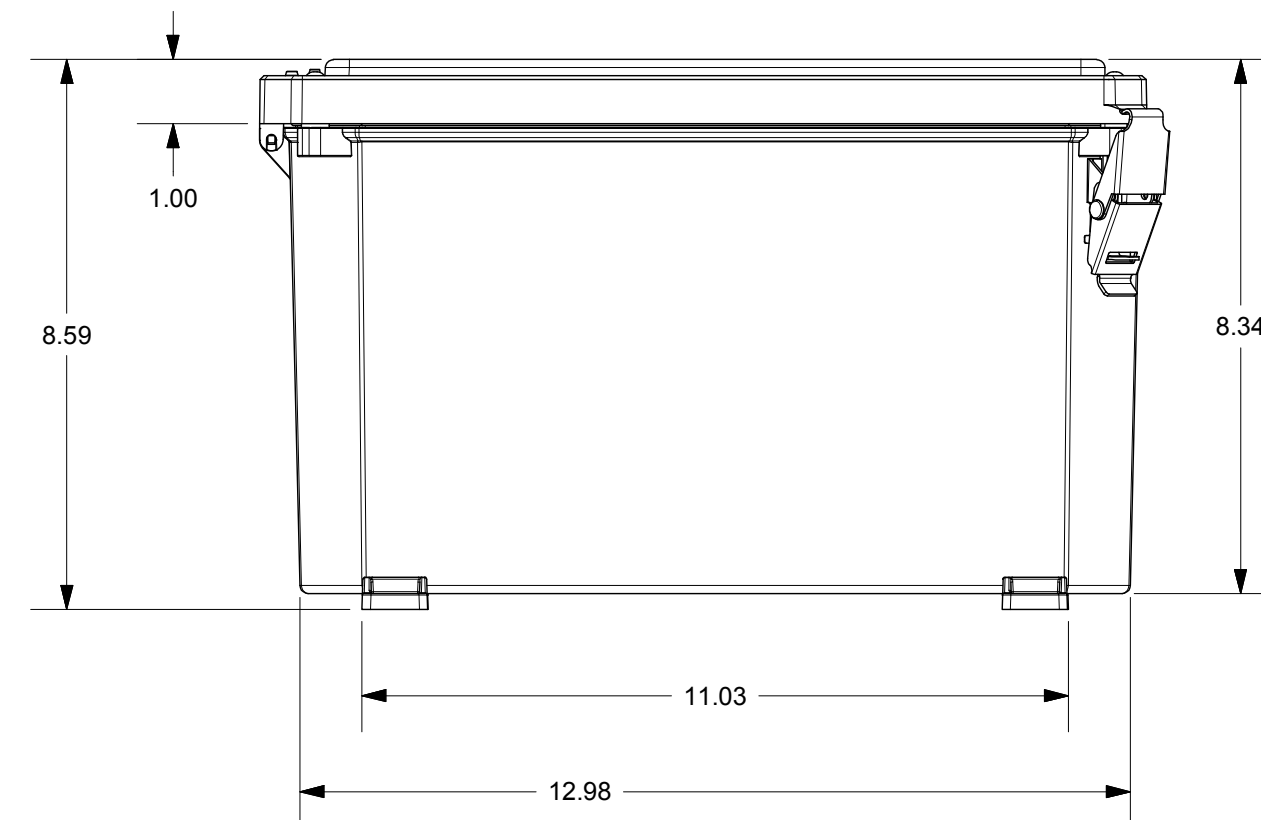
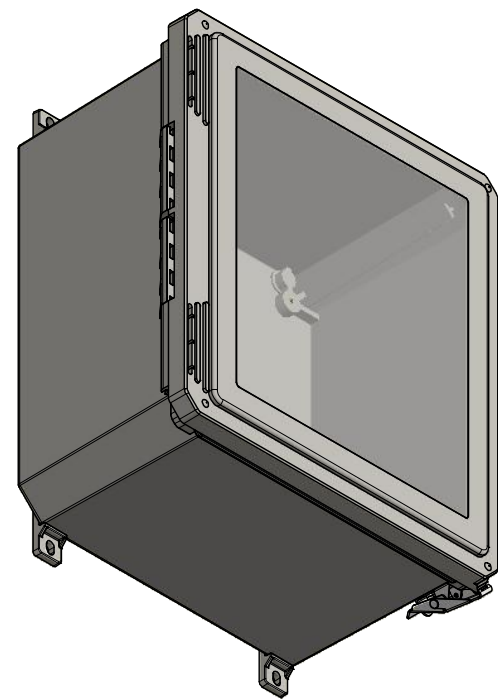
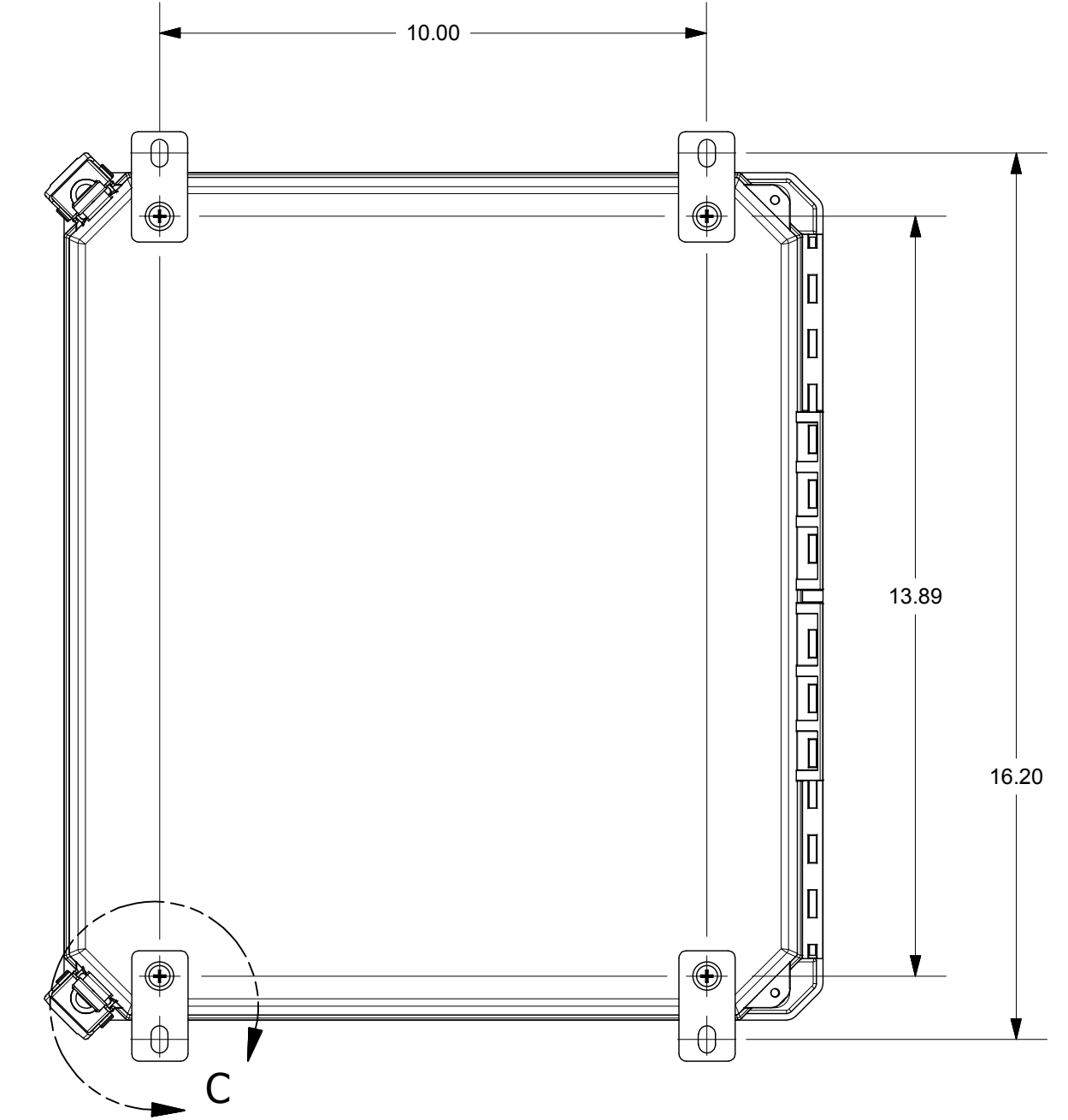
DETAIL C
(4X)



FOR REFERENCE ONLY
MOUNTING FEET SHOWN AS INSTALLED



SECTION B-B



THIS DRAWING IS THE SOLE AND EXCLUSIVE PROPERTY OF ROBROY ENCLOSURES. NO PART OF THIS DRAWING MAY BE REPRODUCED, DISTRIBUTED, OR PUBLICALLY DISPLAYED IN ANY FORM OR BY ANY MEANS WITHOUT THE EXPRESS WRITTEN PERMISSION OF ROBROY ENCLOSURES. ALL RIGHTS RESERVED. UNDER THE COPYRIGHT LAWS. COPYRIGHT © 2017 ROBROY ENCLOSURES

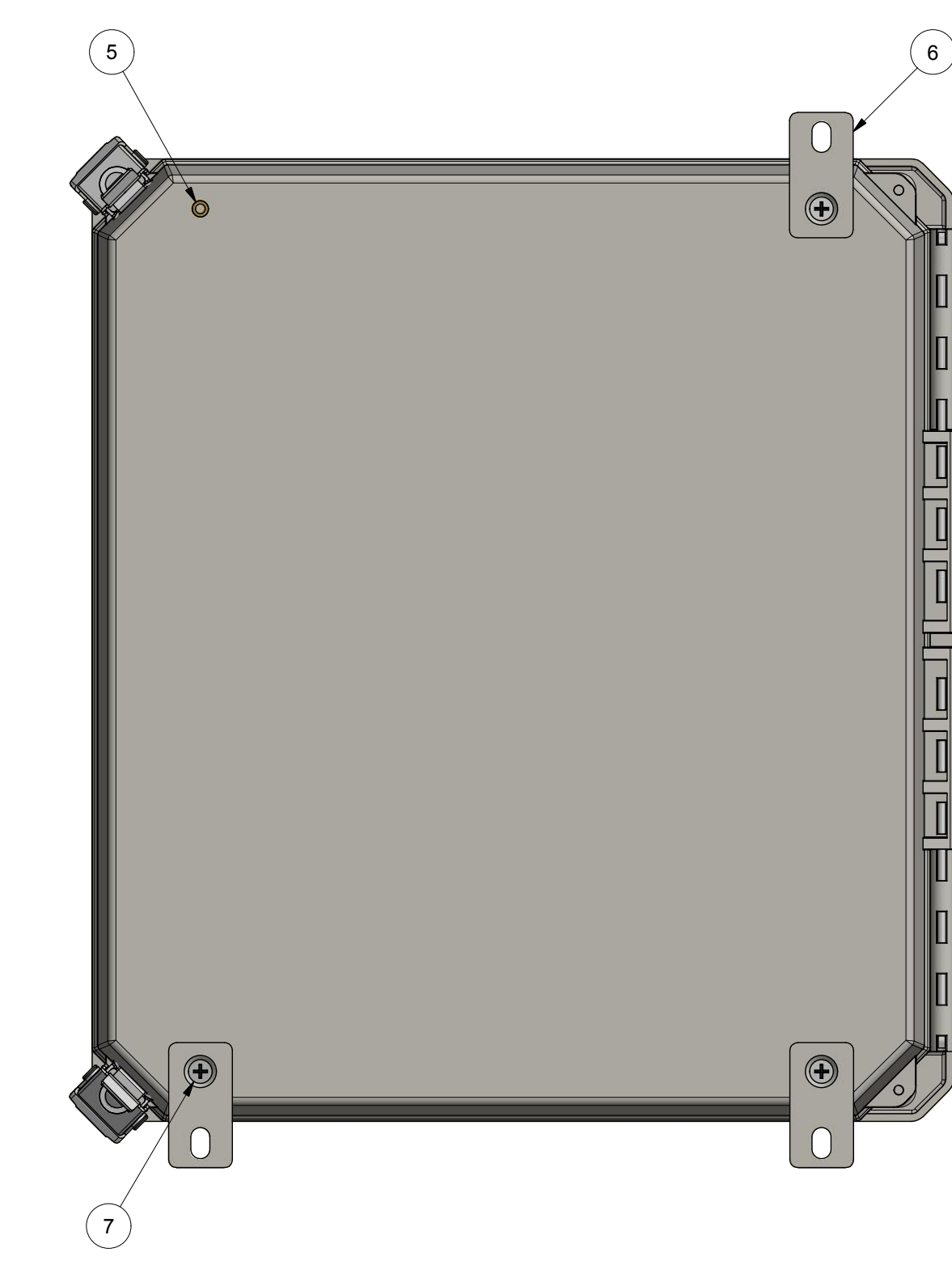
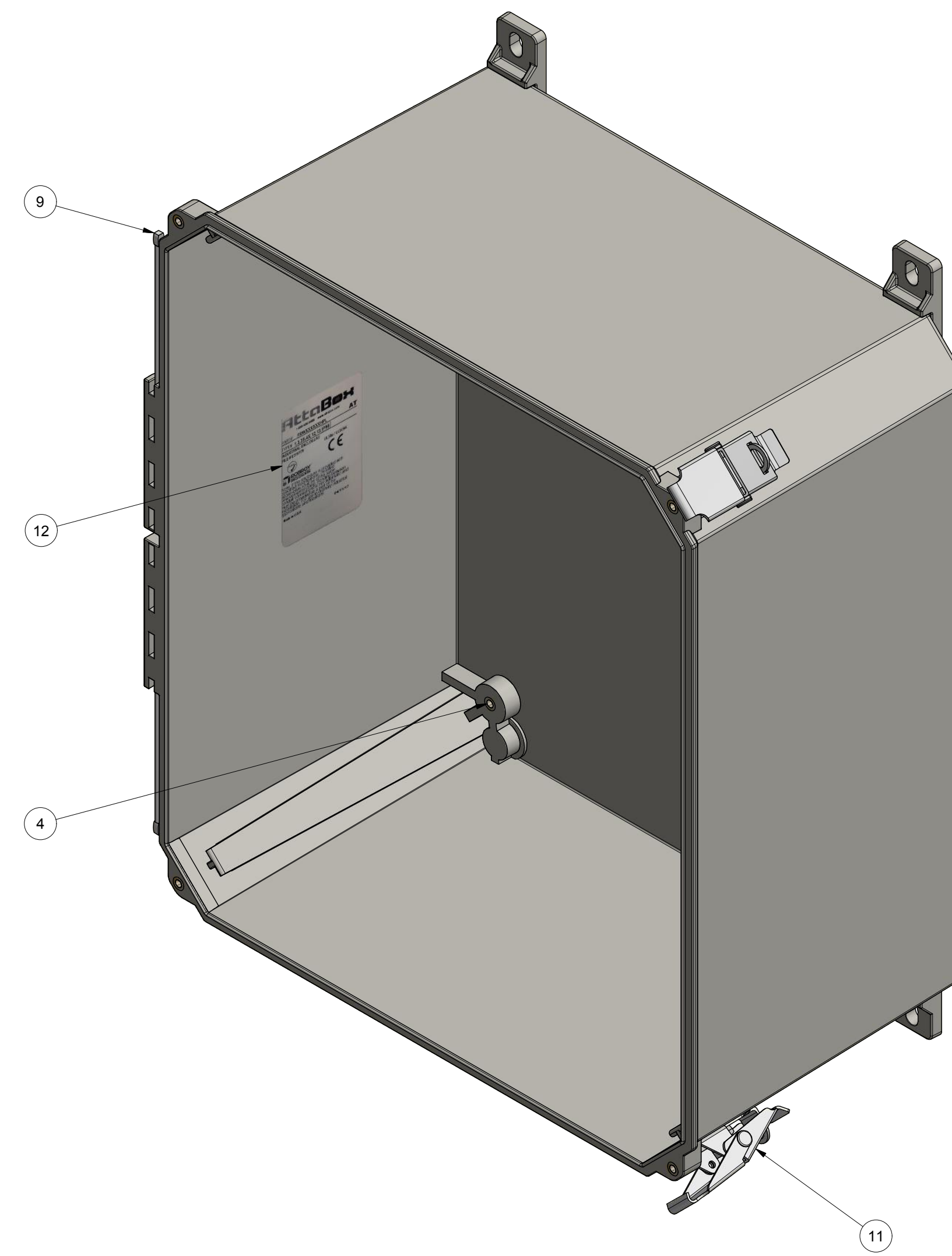
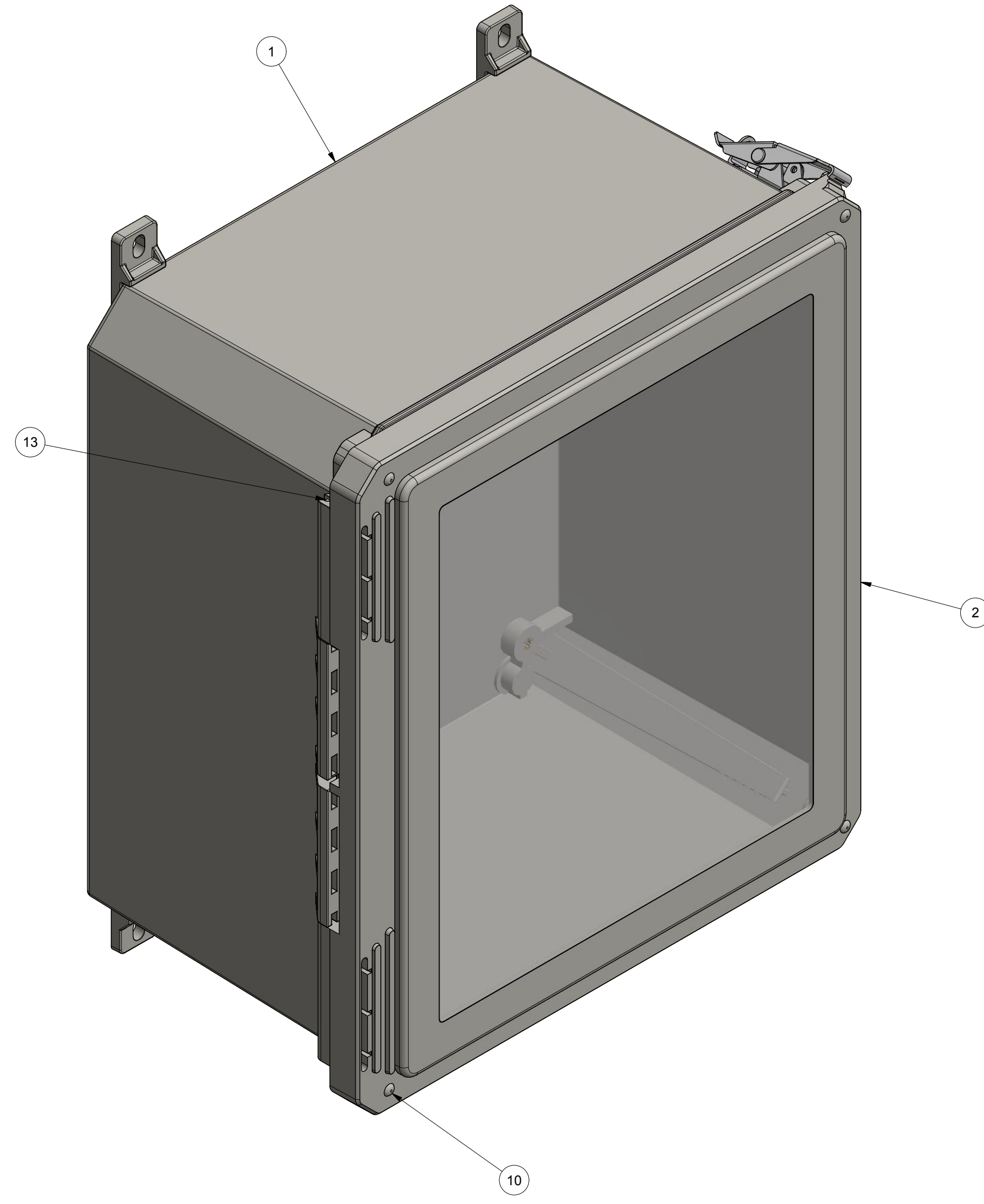
- SPECIAL REQUIREMENTS**
1. MOUNTING FEET SHOWN AS INSTALLED - FOR REFERENCE ONLY
- SOLD SEPARATELY
- FREEDOM SERIES MOUNTING FOOT KIT (FEFRMGFTKIT)
- INCLUDES (4) #10-32 x 7/16 FLAT HEAD PHILLIPS HEAD SCREWS (RMSC10-32X7/16FHPH)
 2. (1) FREEDOM SERIES SCREW PACK (W4FRKBP) SHALL BE PACKAGED LOOSELY INSIDE ENCLOSURE.
HARDWARE INCLUDED:
- (4) #10-32 x 3/8 PAN HEAD SCREW (RMSC10/32X3/8ZN)
- (4) #10 WASHER (RMWAS10ZN)
 3. (1) STYROFOAM SHEET SHALL BE PLACED ON TOP OF WINDOW INSIDE CARTON

NEMA 250: TYPE 1, 3, 3S, 4X, 12, 13 IEC 60529: IP66 COLOR: GLACIER GREY (WPR313) COLOR STANDARD: PANTONE 428 C		STANDARD P/N: FRW141208HPL CUSTOMER DWG:	ALL DIMENSIONS ARE IN INCHES UNLESS OTHERWISE SPECIFIED	TOLERANCES UNLESS SPECIFIED	.XX ± 0.03 .XXX ± 0.010
MATERIAL: FIBERGLASS REINFORCED POLYESTER (FRP)					
REVISION HISTORY					
REV	DESCRIPTION	DATE	ENG		
-	-	-	-		
-	-	-	-		
-	-	-	-		
-	-	-	-		
-	-	-	-		
-	-	-	-		
DRAWN BY: E91		DATE: 05/10/17	CUSTOMER: AttaBox		
SCALE: DO NOT SCALE		DESCRIPTION: STANDARD ENCLOSURE	PART NUMBER: ATFRW141208HPL	DWG: FRW141208HPL	

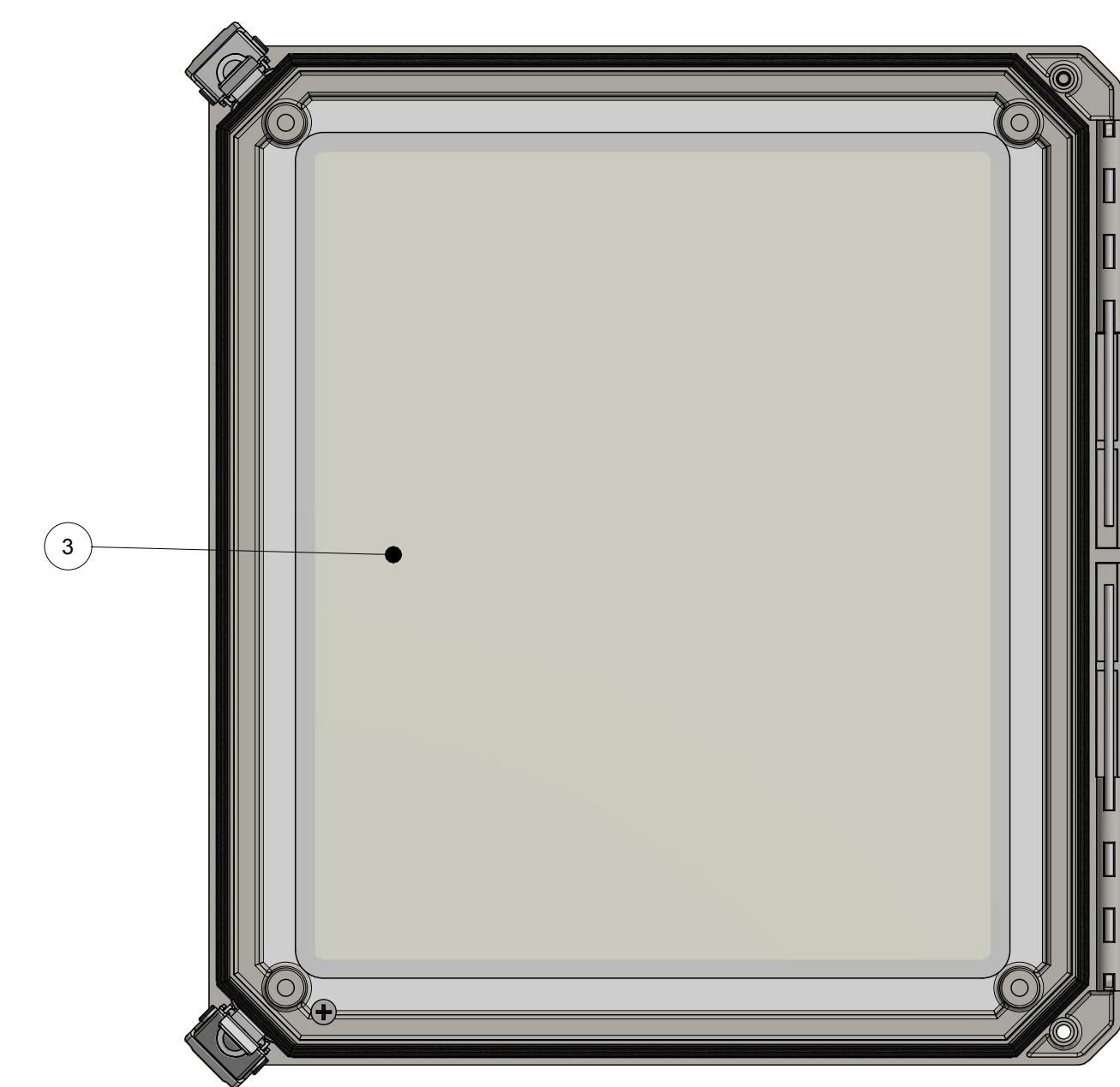
DETAIL A

WINDOW MATERIAL: S.A.R. ACRYLIC, 1/4" THICK
ABRADE INSIDE COVER SURFACE PRIOR TO BONDING
WINDOW BONDED USING MA-320
WINDOW SURFACE FLUSH TOLERANCE: +0.020 / -0.030
0.010 MAX. EXPANSION GAP BETWEEN COVER CUTOUT & WINDOW

Robroy Enclosures
500 Maple Street
Belding, Michigan 48809
Phone: 616-794-0700
Fax: 616-749-3378



BACK SIDE
 (1) MOUNTING FOOT REMOVED FOR CLARITY
 TORQUE SCREWS TO 25 IN.-LBS




NOTES:
 1. RTV 732 SILICONE SEALANT SHALL BE APPLIED ON HINGE PINS AFTER INSTALLATION

PARTS LIST			
ITEM	QTY	PART NUMBER	DESCRIPTION
1	1	WP141208B	FR141208 MOLDED HINGE BOX
2	1	WP141208U	FR141208 GASKETED HINGE COVER
3	1	WPJW1412RGLAS	ROUTED FRW1412 GLASS
4	8	RMINS45821P	#10-32 THREADED BRASS INSERT
5	4	RMINS700113	#10-32 x 5/16 THREADED BRASS INSERT
6	1	FEFRMGFTKIT	FREEDOM SERIES MOUNTING FOOT KIT (INCLUDES (4) MOUNTING FEET WITH SCREWS)
7	4	RMSC10-32X7/16FHPH	10-32 x 7/16 FLAT HEAD PHILLIPS HEAD SCREW (INCLUDED WITH FEFRMGFTKIT)
8	1	WP4PKBP	FREEDOM SERIES SCREW PACK
9	2	RMHINGAT40006-04	FREEDOM SERIES HINGE PIN
10	4	RMAT1656AA	COVER BUSHING
11	2	RMLATATPLSSL	PLAIN HPL LATCH
12	1	RMLABBLANK3X2	FRW141208HPL LABEL
13	AR	RTV-732	SILICONE SEALANT

THIS DRAWING IS THE SOLE AND EXCLUSIVE PROPERTY OF ROBROY ENCLOSURES. NO PART OF THIS DRAWING MAY BE REPRODUCED, DISTRIBUTED, OR PUBLICALLY DISPLAYED IN ANY FORM OR BY ANY MEANS WITHOUT THE EXPRESS WRITTEN PERMISSION OF ROBROY ENCLOSURES. ALL RIGHTS RESERVED. UNDER THE COPYRIGHT LAWS. COPYRIGHT © 2017 ROBROY ENCLOSURES

SPECIAL REQUIREMENTS
ASSEMBLY:
 1. MOUNTING FEET SHOWN AS INSTALLED - FOR REFERENCE ONLY
 -SOLD SEPARATELY
 -FREEDOM SERIES MOUNTING FOOT KIT (FEFRMGFTKIT)
 -INCLUDES (4) #10-32 x 7/16 FLAT HEAD PHILLIPS HEAD SCREWS (RMSC10-32X7/16FHPH)
 2. (1) FREEDOM SERIES SCREW PACK (WP4PKBP) SHALL BE PACKAGED LOOSELY INSIDE ENCLOSURE.
HARDWARE INCLUDED:
 -4) #10-32 x 3/8 PAN HEAD SCREW (RMSC10/32X3/8ZN)
 -4) #10 WASHER (RMWAS10ZN)
 3. (1) STYROFOAM SHEET SHALL BE PLACED ON TOP OF WINDOW INSIDE CARTON

NEMA 250: TYPE 1, 3, 3S, 4X, 12, 13 IEC 60529: IP66 COLOR: GLACIER GREY (WPR3X13) COLOR STANDARD: PANTONE 428 C	STANDARD P/N: FRW141208HPL CUSTOMER DWG:	ALL DIMENSIONS ARE IN INCHES UNLESS OTHERWISE SPECIFIED	TOLERANCES UNLESS SPECIFIED .XX ± 0.03 .XXX ± 0.010	
MATERIAL: FIBERGLASS REINFORCED POLYESTER (FRP)		 <p>Robroy Enclosures 500 Maple Street Belding, Michigan 48809 Phone: 616-794-0700 Fax: 616-749-3378</p>		
DRAWN BY: E91 DATE: 05/10/17	CUSTOMER:			DWG: FRW141208HPL
SCALE: DO NOT SCALE	DESCRIPTION: STANDARD ENCLOSURE			PART NUMBER: ATFRW141208HPL