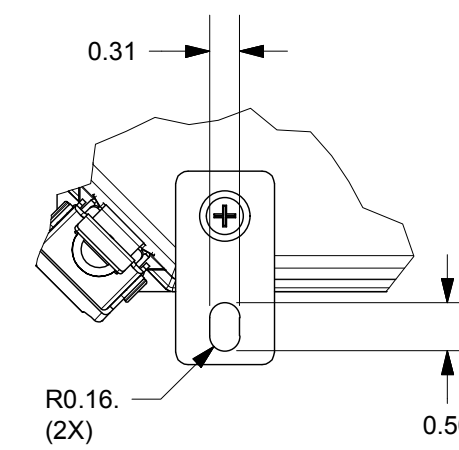
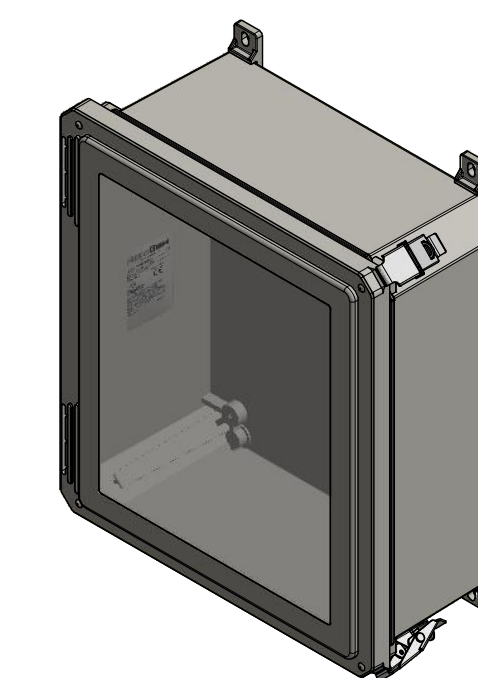


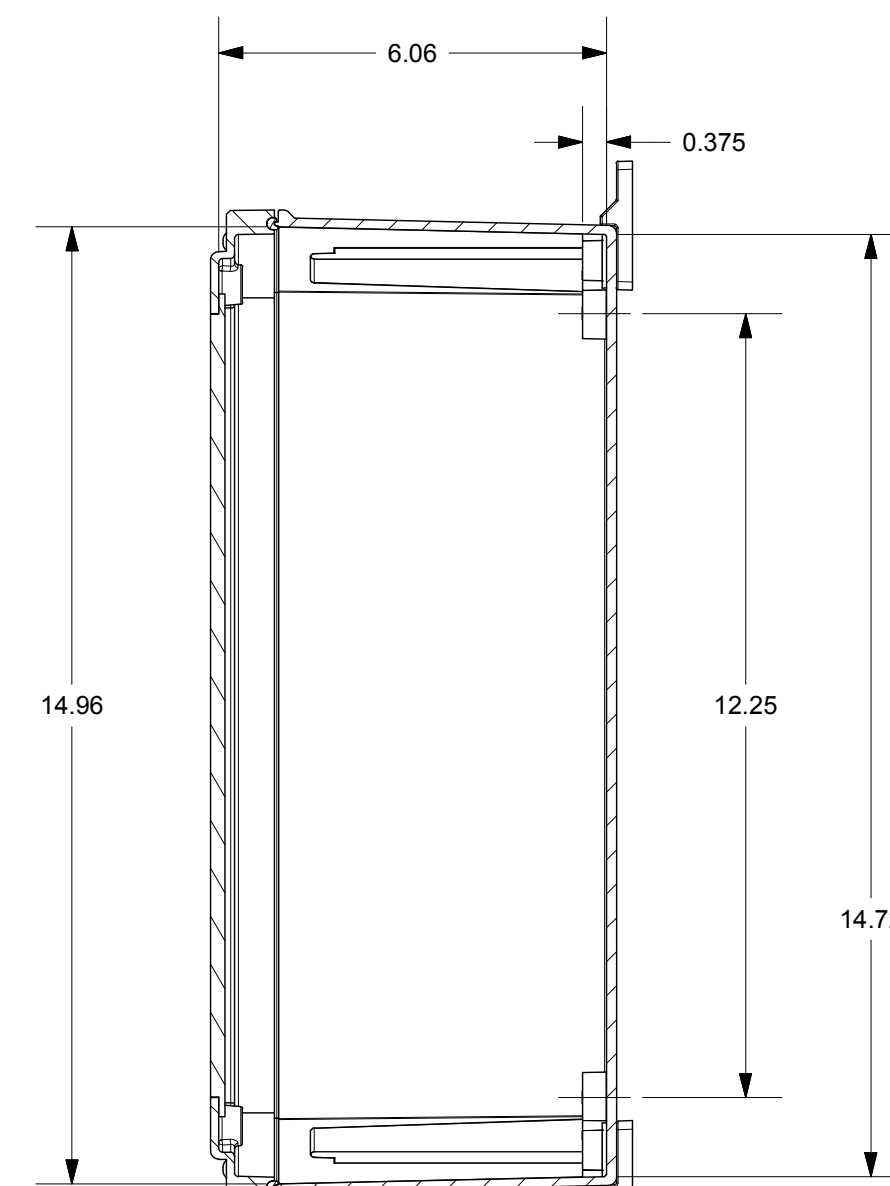
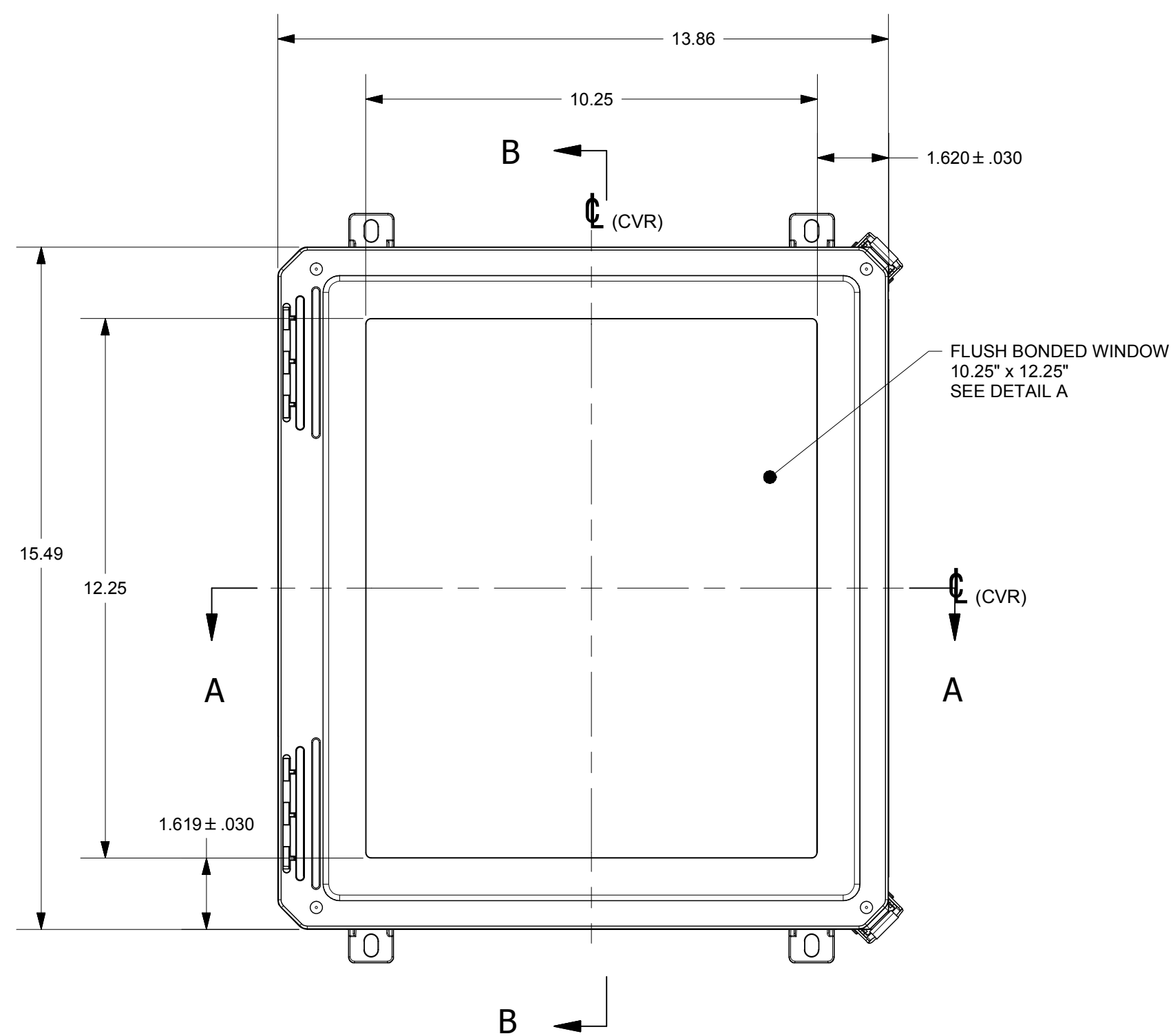
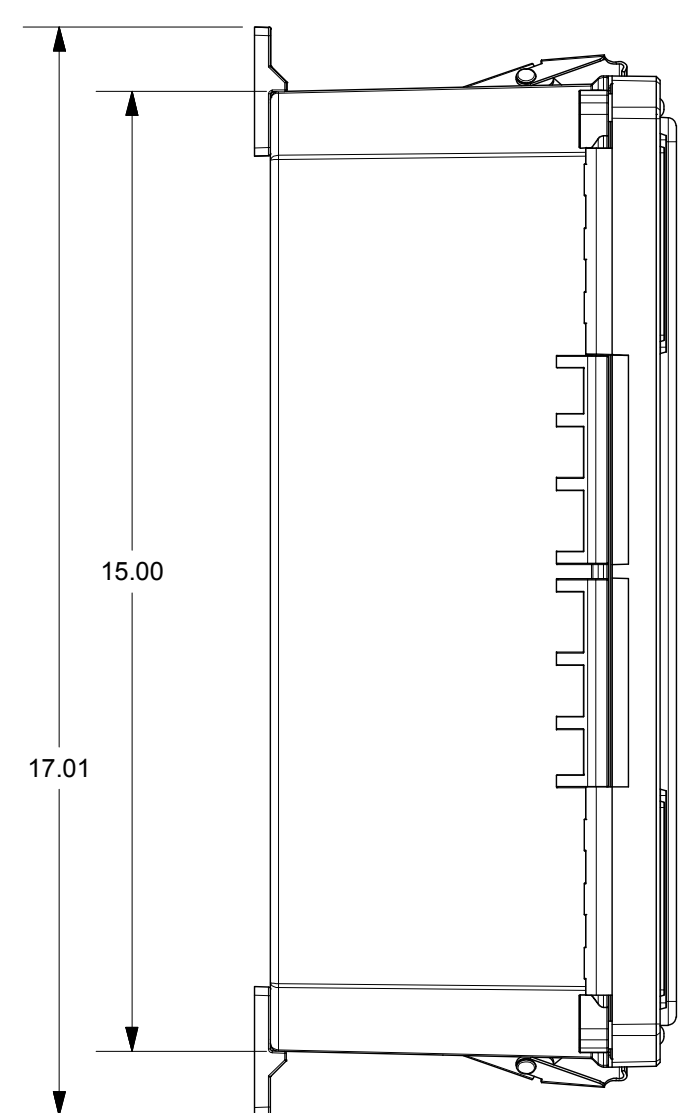
SECTION A-A



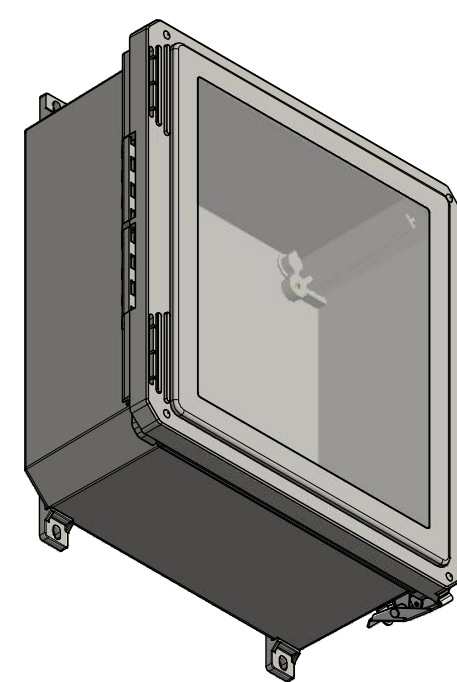
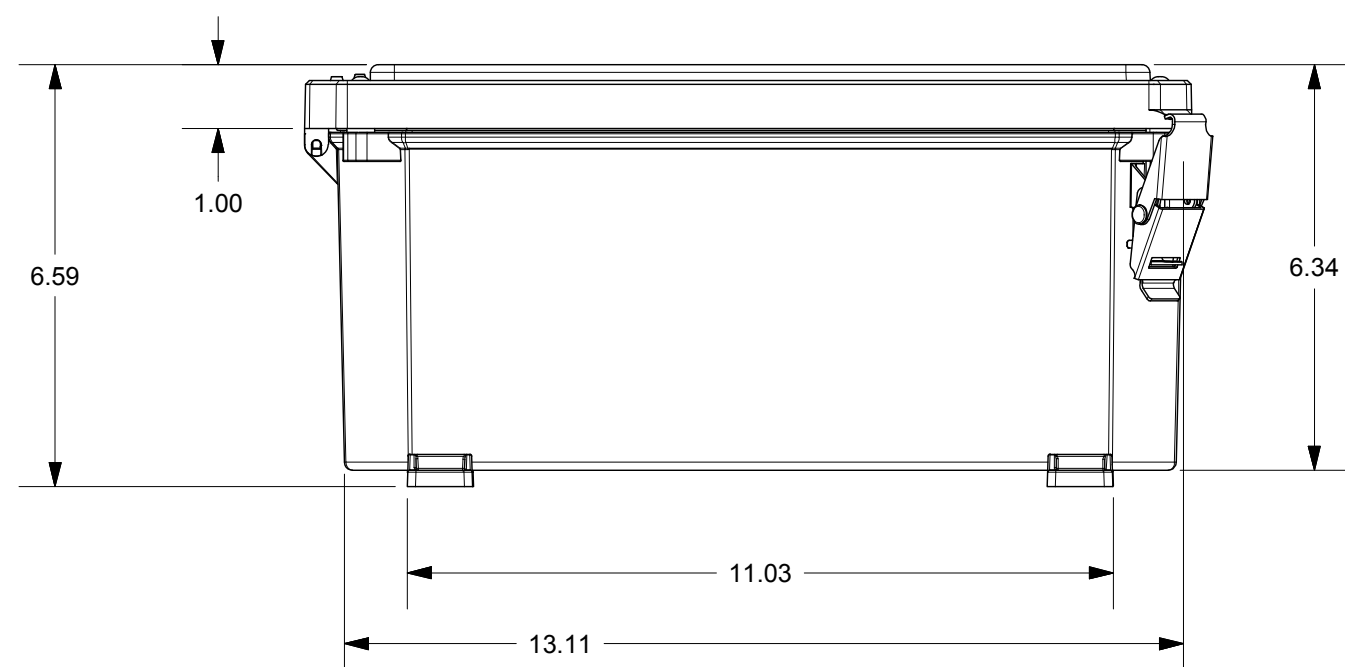
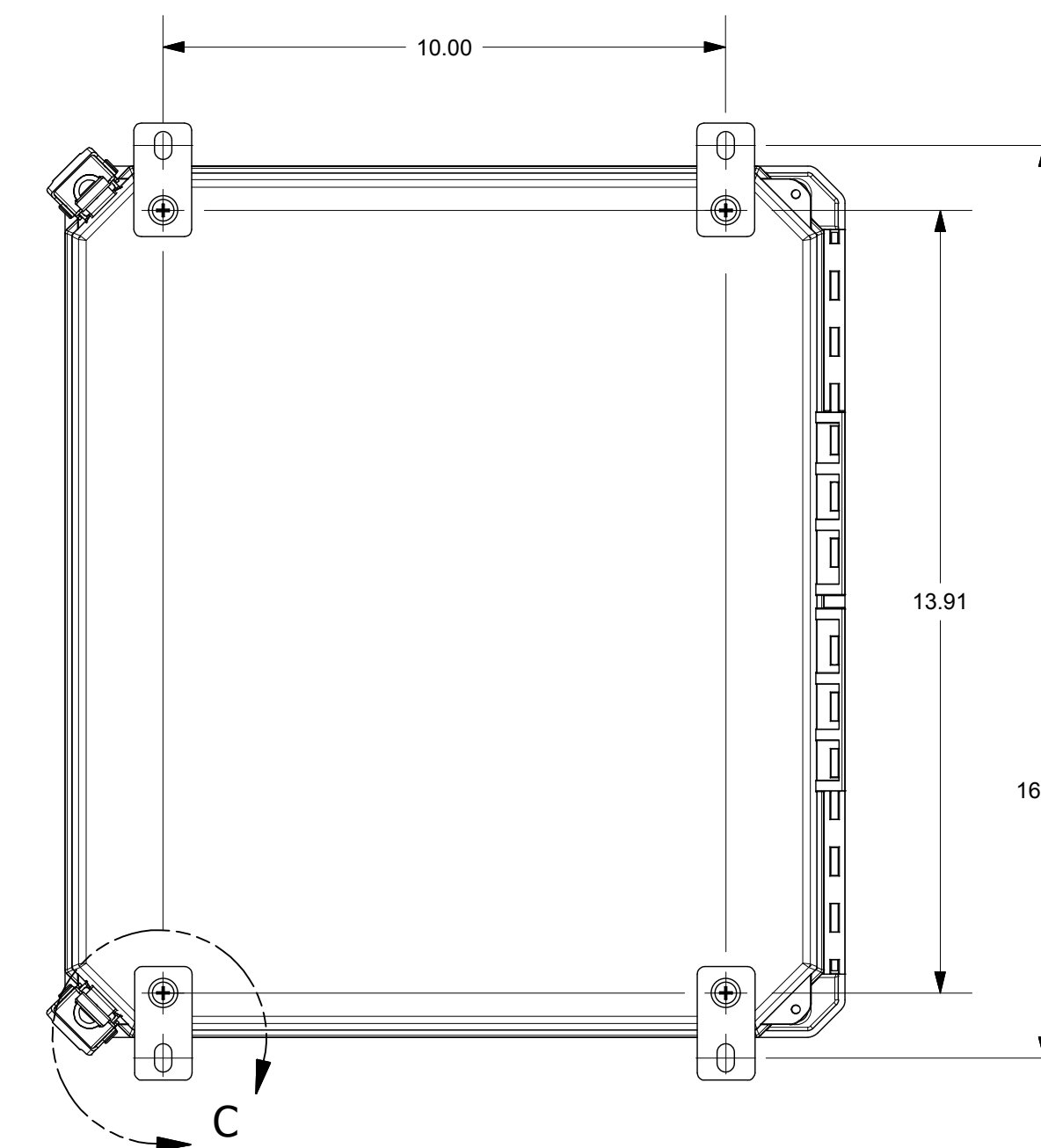
DETAIL C
(4X)



FOR REFERENCE ONLY
MOUNTING FEET SHOWN AS INSTALLED



SECTION B-B



DETAIL A

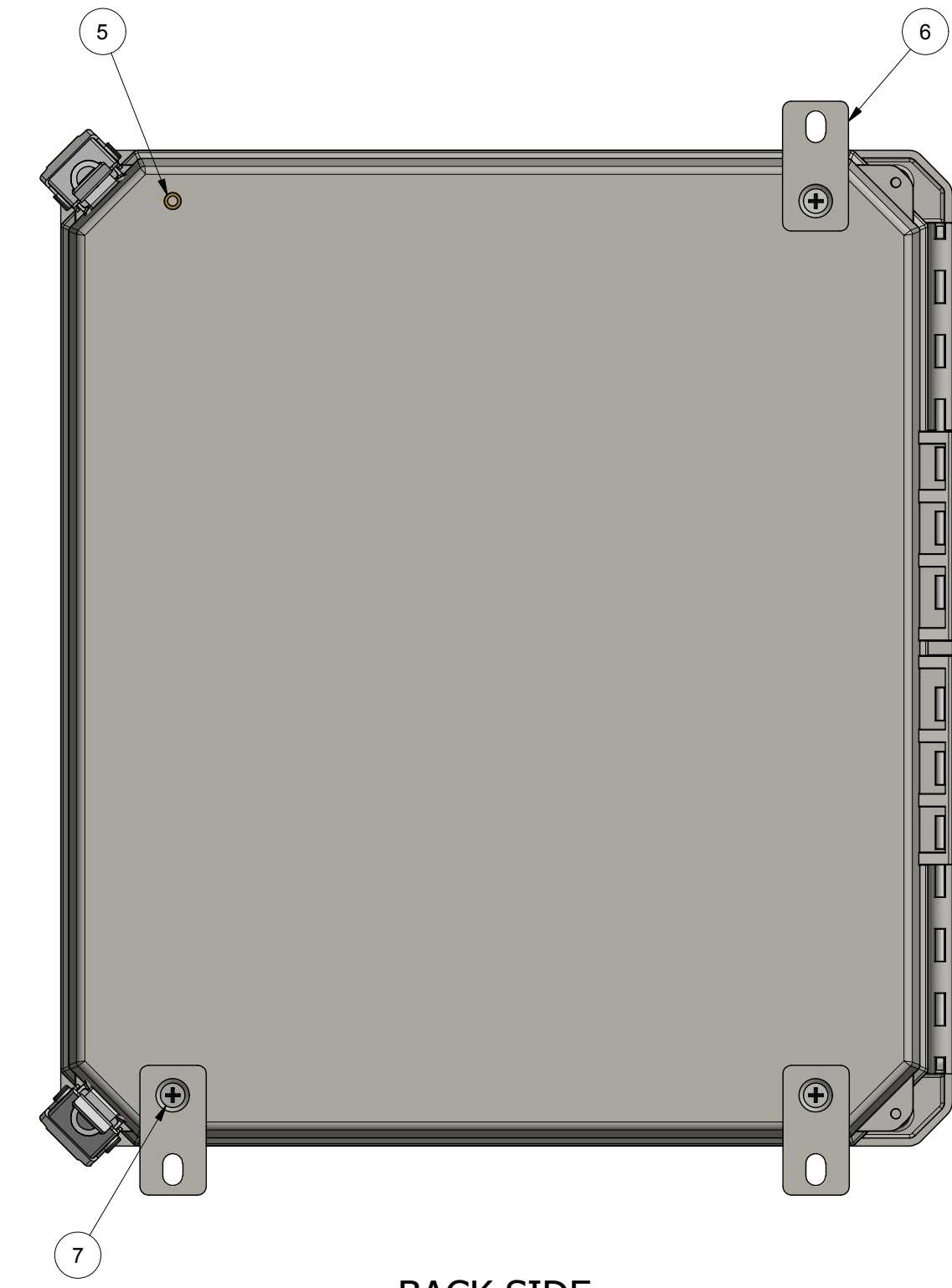
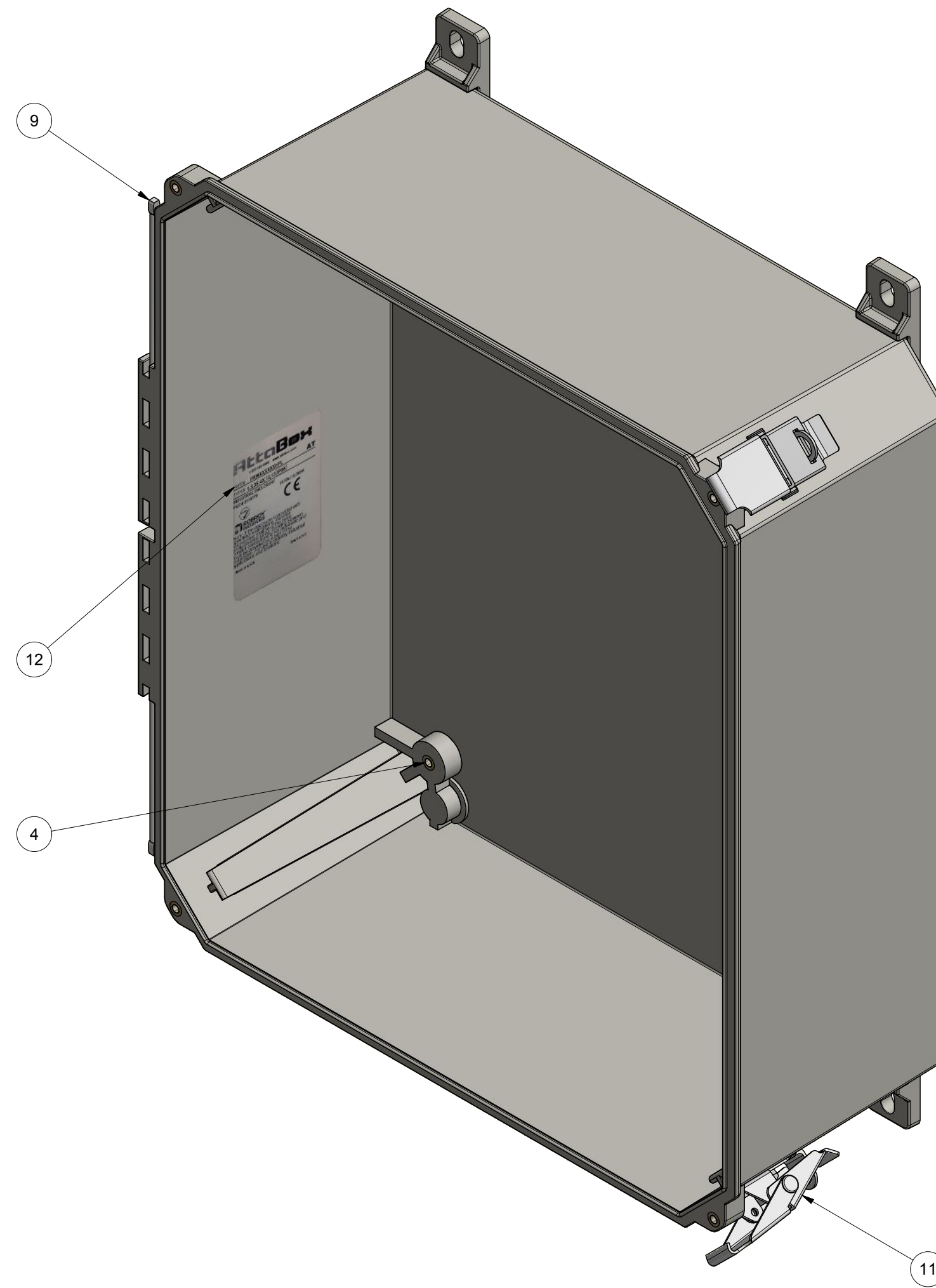
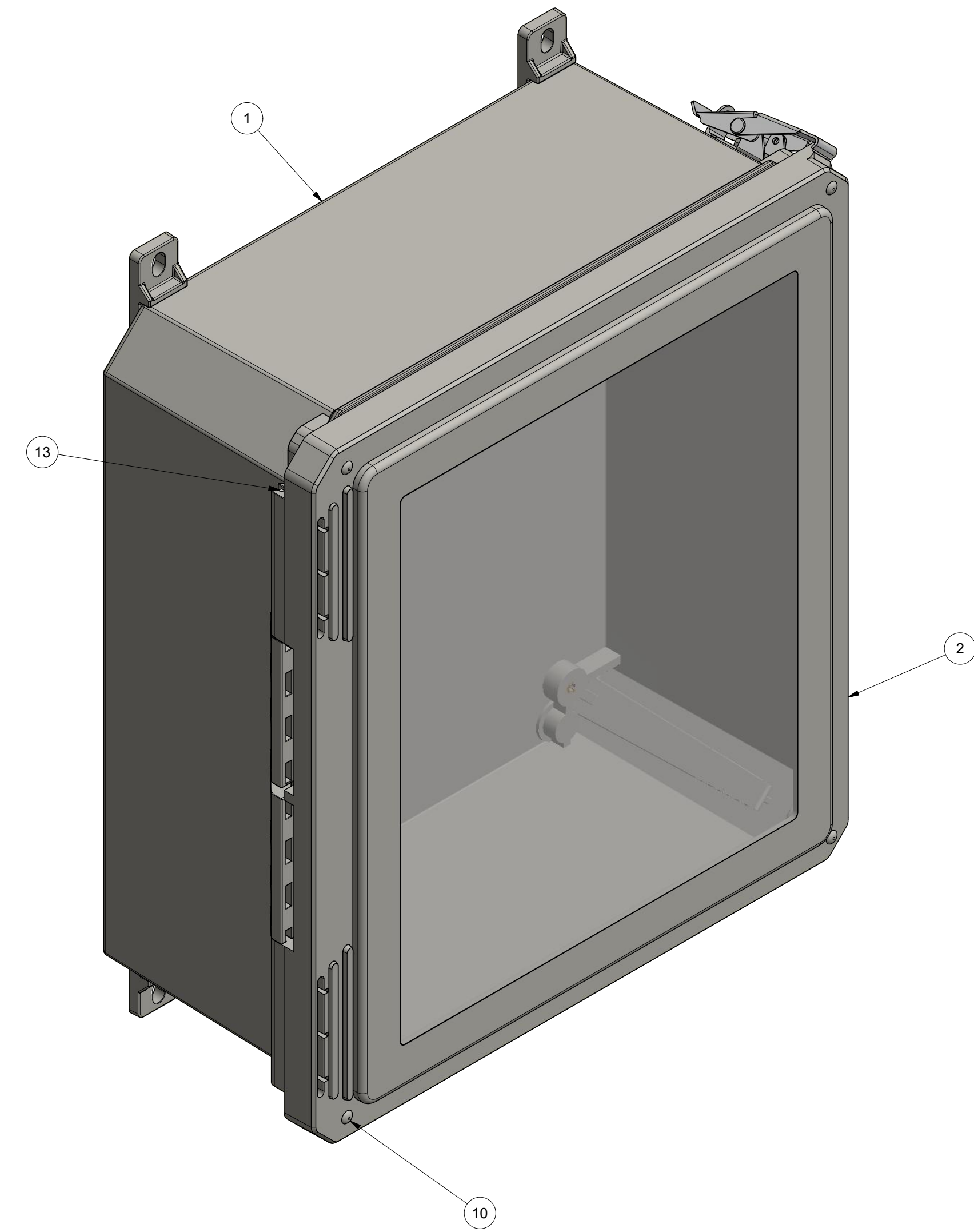
WINDOW MATERIAL: S.A.R. ACRYLIC, 1/4" THICK
 ABRABE INSIDE COVER SURFACE PRIOR TO BONDING
 WINDOW BONDED USING MA-320
 WINDOW SURFACE FLUSH TOLERANCE: +0.020 / -0.030
 0.010 MAX. EXPANSION GAP BETWEEN COVER CUTOUT & WINDOW

THIS DRAWING IS THE SOLE AND EXCLUSIVE PROPERTY OF ROBROY ENCLOSURES. NO PART OF THIS DRAWING MAY BE REPRODUCED, DISTRIBUTED, OR PUBLICALLY DISPLAYED IN ANY FORM OR BY ANY MEANS WITHOUT THE EXPRESS WRITTEN PERMISSION OF ROBROY ENCLOSURES. ALL RIGHTS RESERVED. UNDER THE COPYRIGHT LAWS. COPYRIGHT © 2017 ROBROY ENCLOSURES.

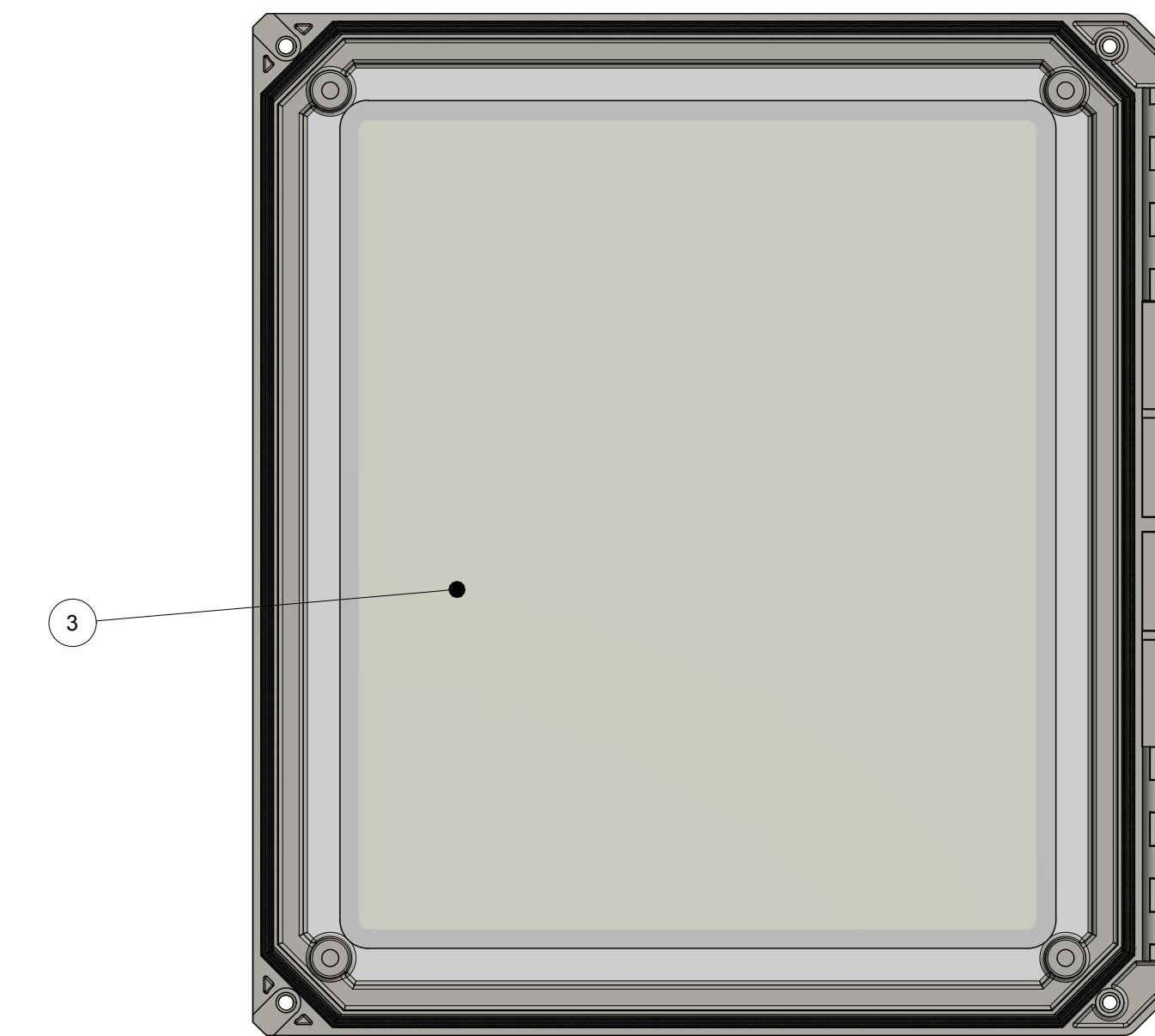
SPECIAL REQUIREMENTS
 ASSEMBLY:
 1. MOUNTING FEET SHOWN AS INSTALLED - FOR REFERENCE ONLY
 -SOLD SEPARATELY
 -FREEDOM SERIES MOUNTING FOOT KIT (FEFRMGFTKIT)
 -INCLUDES (4) #10-32 x 7/16 FLAT HEAD PHILLIPS HEAD SCREWS (RMS10-32X7/16FHPH)
 2. (1) FREEDOM SERIES SCREW PACK (W4P4R3P) SHALL BE PACKAGED LOOSELY INSIDE ENCLOSURE.
 HARDWARE INCLUDED:
 -(4) #10-32 x 3/8 PAN HEAD SCREW (RMS10/32X3/8ZN)
 -(4) #10 WASHER (RMWAS10ZN)
 3. (1) STYROFOAM SHEET SHALL BE PLACED ON TOP OF WINDOW INSIDE CARTON

| NEMA 250: TYPE 1, 3, 3S, 4X, 12, 13 IEC 60529: IP66 | | STANDARD P/N: FRW141206HPL | ALL DIMENSIONS ARE IN INCHES UNLESS OTHERWISE SPECIFIED | | TOLERANCES _XX ± 0.03 _XXX ± 0.010 |
|--|-------------|---------------------------------|---|--|--|
| COLOR: GLACIER GREY (WPR3X13) COLOR STANDARD: PANTONE 428 C | | CUSTOMER DWG: | | | |
| MATERIAL: FIBERGLASS REINFORCED POLYESTER (FRP) | | | | | |
| REVISION HISTORY | | | | | |
| REV | DESCRIPTION | DATE | ENG | | |
| - | - | - | - | | |
| - | - | - | - | | |
| - | - | - | - | | |
| - | - | - | - | | |
| - | - | - | - | | |
| - | - | - | - | | |
| - | - | - | - | | |
| DRAWN BY: E91 | | DATE: 05/10/17 | CUSTOMER | | |
| SCALE: DO NOT SCALE | | DESCRIPTION: STANDARD ENCLOSURE | PART NUMBER: ATFRW141206HPL | | DWG: FRW141206HPL |

AttaBox
 Robroy Enclosures
 500 Maple Street
 Belding, Michigan 48809
 Phone: 616-794-0700
 Fax: 616-749-3378



BACK SIDE
(1) MOUNTING FOOT REMOVED FOR CLARITY
TORQUE SCREWS TO 25 IN.-LBS




NOTES:
1. RTV 732 SILICONE SEALANT SHALL BE APPLIED ON HINGE PINS AFTER INSTALLATION

| PARTS LIST | | | |
|------------|-----|--------------------|---|
| ITEM | QTY | PART NUMBER | DESCRIPTION |
| 1 | 1 | WP141206B | FR141206 MOLDED HINGE BOX |
| 2 | 1 | WP141208U | FR141208 GASKETED HINGE COVER |
| 3 | 1 | WPJW1412RGLAS | ROUTED FRW1412 GLASS |
| 4 | 8 | RMINS45821P | #10-32 THREADED BRASS INSERT |
| 5 | 4 | RMINS700113 | #10-32 x 5/16 THREADED BRASS INSERT |
| 6 | 1 | FEFRMGFTKIT | FREEDOM SERIES MOUNTING FOOT KIT (INCLUDES (4) MOUNTING FEET WITH SCREWS) |
| 7 | 4 | RMSC10-32X7/16FHPH | 10-32 x 7/16 FLAT HEAD PHILLIPS HEAD SCREW (INCLUDED WITH FEFRMGFTKIT) |
| 8 | 1 | WP4PKBP | FREEDOM SERIES SCREW PACK |
| 9 | 2 | RMHINGAT40006-04 | FREEDOM SERIES HINGE PIN |
| 10 | 4 | RMAT1656AA | COVER BUSHING |
| 11 | 2 | RMLATATPLSSL | PLAIN HPL LATCH |
| 12 | 1 | RMLABBLANK3X2 | FRW141206HPL LABEL |
| 13 | AR | RTV-732 | SILICONE SEALANT |

THIS DRAWING IS THE SOLE AND EXCLUSIVE PROPERTY OF ROBROY ENCLOSURES. NO PART OF THIS DRAWING MAY BE REPRODUCED, DISTRIBUTED, OR PUBLICALLY DISPLAYED IN ANY FORM OR BY ANY MEANS WITHOUT THE EXPRESS WRITTEN PERMISSION OF ROBROY ENCLOSURES. ALL RIGHTS RESERVED. UNDER THE COPYRIGHT LAWS. COPYRIGHT © 2017 ROBROY ENCLOSURES

SPECIAL REQUIREMENTS
ASSEMBLY:
 1. MOUNTING FEET SHOWN AS INSTALLED - FOR REFERENCE ONLY
 -SOLD SEPARATELY
 -FREEDOM SERIES MOUNTING FOOT KIT (FEFRMGFTKIT)
 -INCLUDES (4) #10-32 x 7/16 FLAT HEAD PHILLIPS HEAD SCREWS (RMSC10-32X7/16FHPH)
 2. (1) FREEDOM SERIES SCREW PACK (WP4PKBP) SHALL BE PACKAGED LOOSELY INSIDE ENCLOSURE.
HARDWARE INCLUDED:
 - (4) #10-32 x 3/8 PAN HEAD SCREW (RMSC10/32X3/8ZN)
 - (4) #10 WASHER (RMWAS10ZN)
 3. (1) STYROFOAM SHEET SHALL BE PLACED ON TOP OF WINDOW INSIDE CARTON

| | | | |
|---|---|---|--|
| NEMA 250: TYPE 1, 3, 3S, 4X, 12, 13 IEC 60529: IP66 COLOR: GLACIER GREY (WPR3X13) COLOR STANDARD: PANTONE 428 C | STANDARD P/N: FRW141206HPL CUSTOMER DWG: | ALL DIMENSIONS ARE IN INCHES UNLESS OTHERWISE SPECIFIED | TOLERANCES UNLESS SPECIFIED .XX ± 0.03 .XXX ± 0.010 |
| MATERIAL: FIBERGLASS REINFORCED POLYESTER (FRP) | |  Robroy Enclosures 500 Maple Street Belding, Michigan 48809 Phone: 616-794-0700 Fax: 616-749-3378 | |
| DRAWN BY: E91 DATE: 05/10/17 CUSTOMER: DWG: FRW141206HPL SCALE: DESCRIPTION: STANDARD ENCLOSURE PART NUMBER: ATFRW141206HPL DO NOT SCALE | | | |