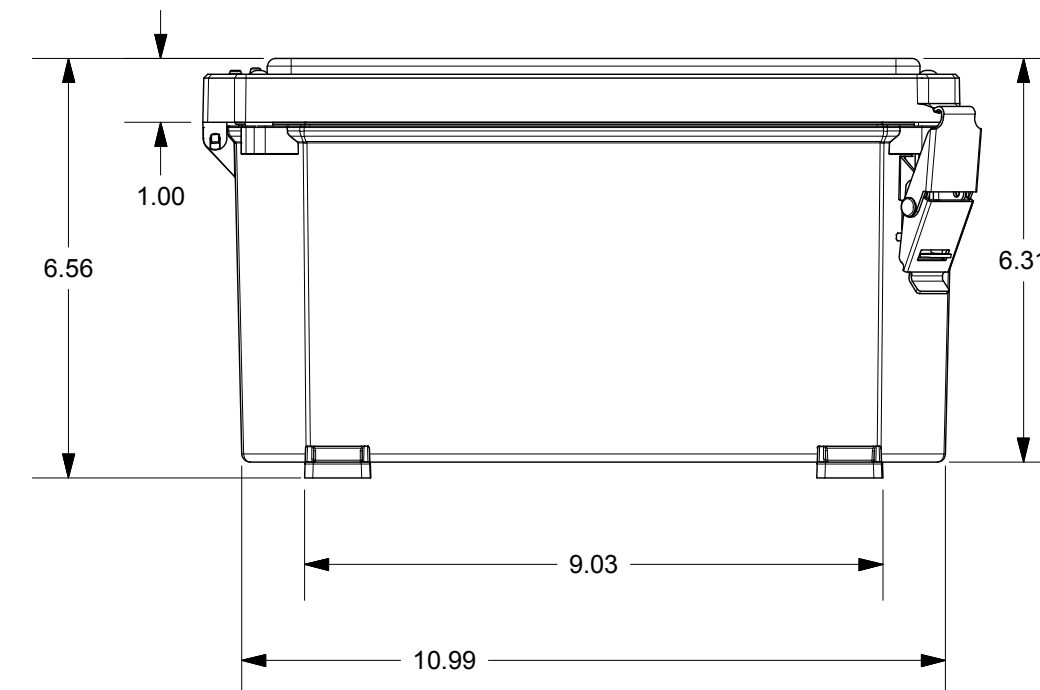
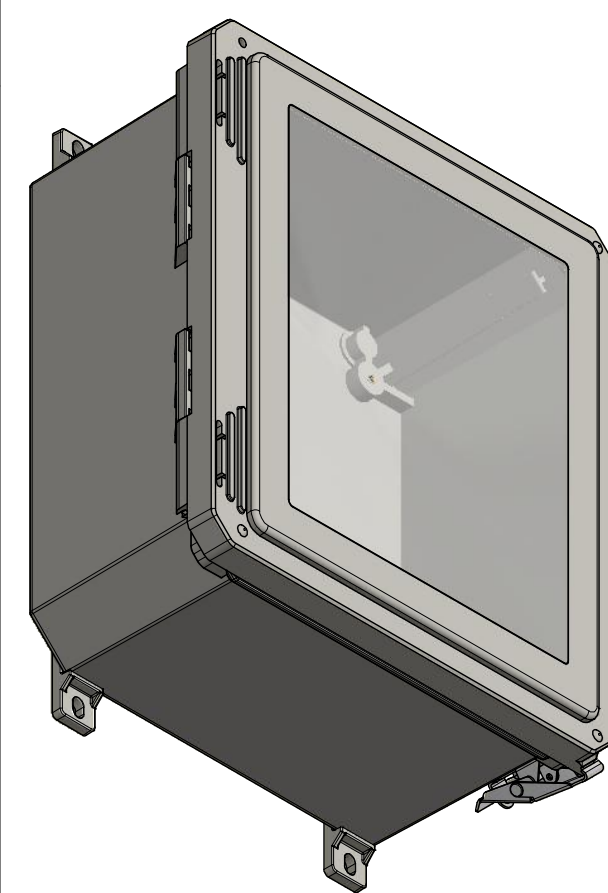
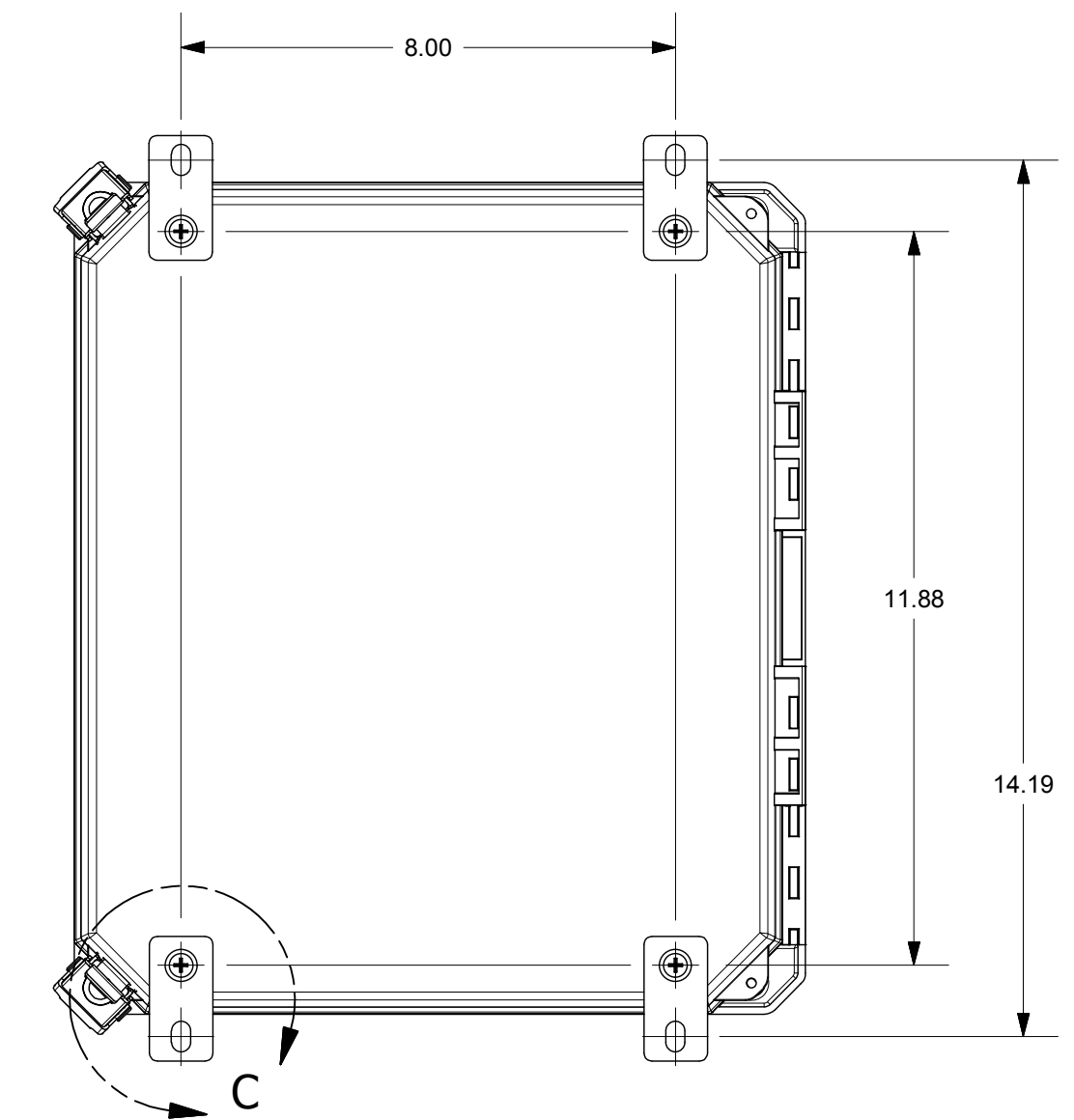
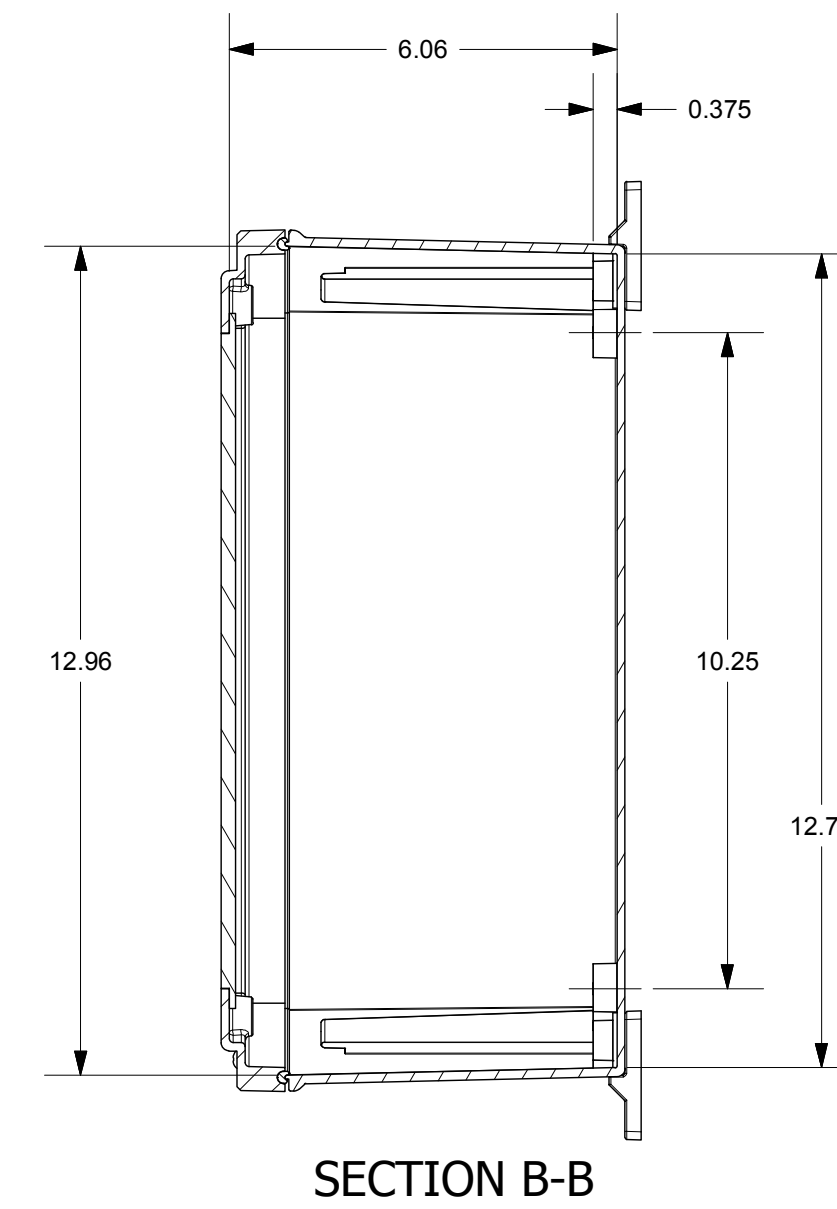
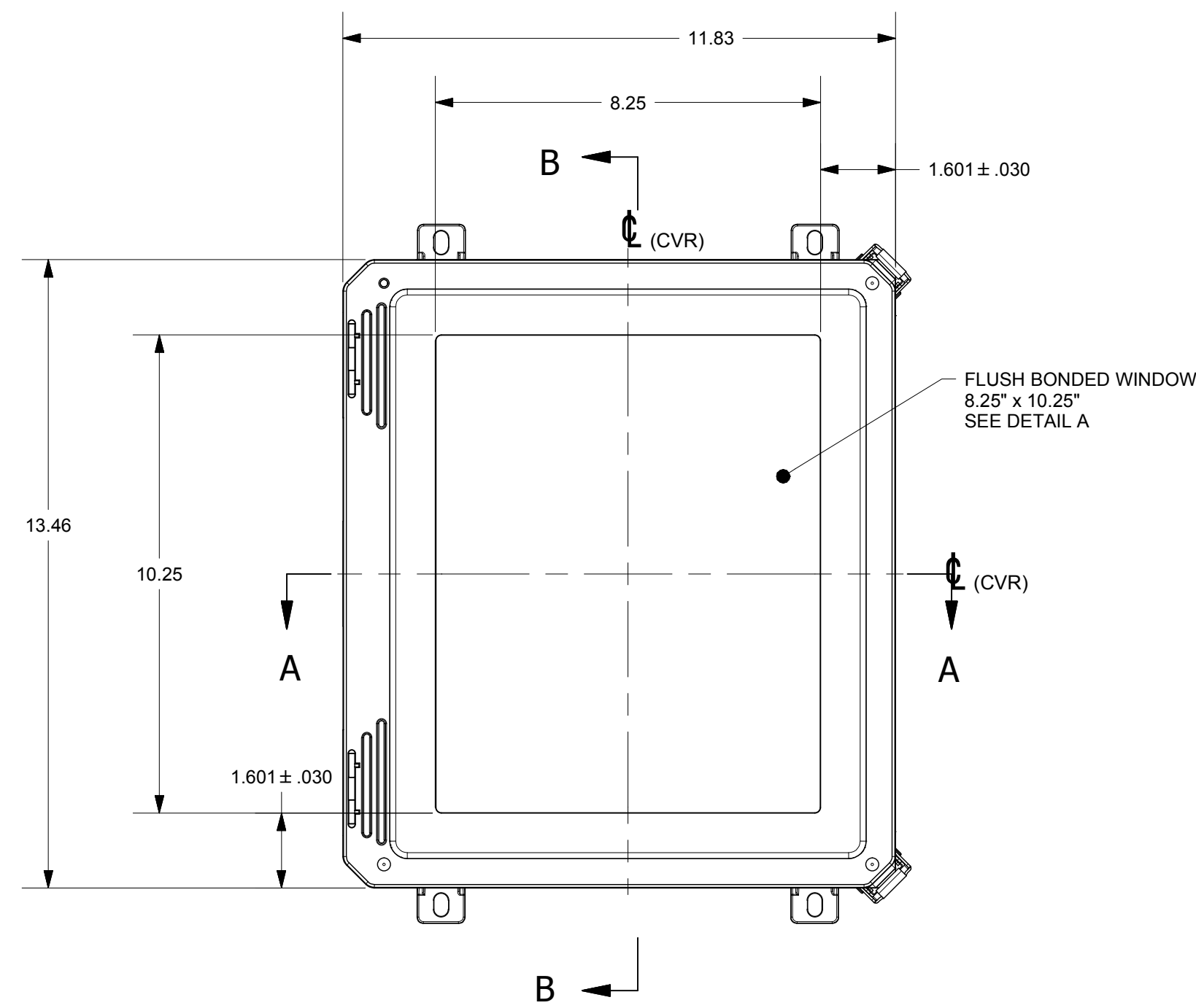
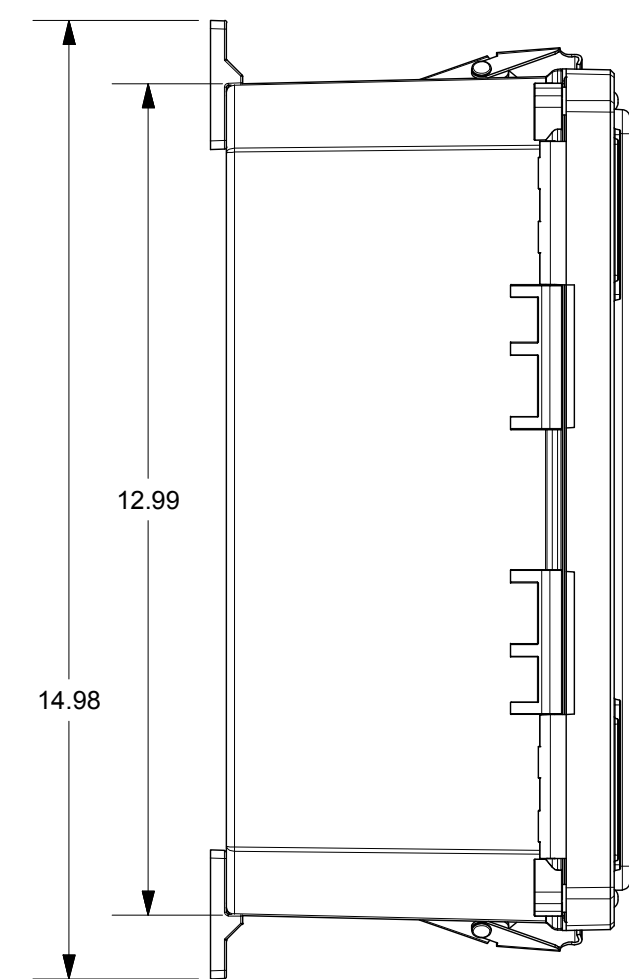


FOR REFERENCE ONLY
MOUNTING FEET SHOWN AS INSTALLED



THIS DRAWING IS THE SOLE AND EXCLUSIVE PROPERTY OF ROBROY ENCLOSURES. NO PART OF THIS DRAWING MAY BE REPRODUCED, DISTRIBUTED, OR PUBLICALLY DISPLAYED IN ANY FORM OR BY ANY MEANS WITHOUT THE EXPRESS WRITTEN PERMISSION OF ROBROY ENCLOSURES. ALL RIGHTS RESERVED. UNDER THE COPYRIGHT LAWS. COPYRIGHT © 2017 ROBROY ENCLOSURES

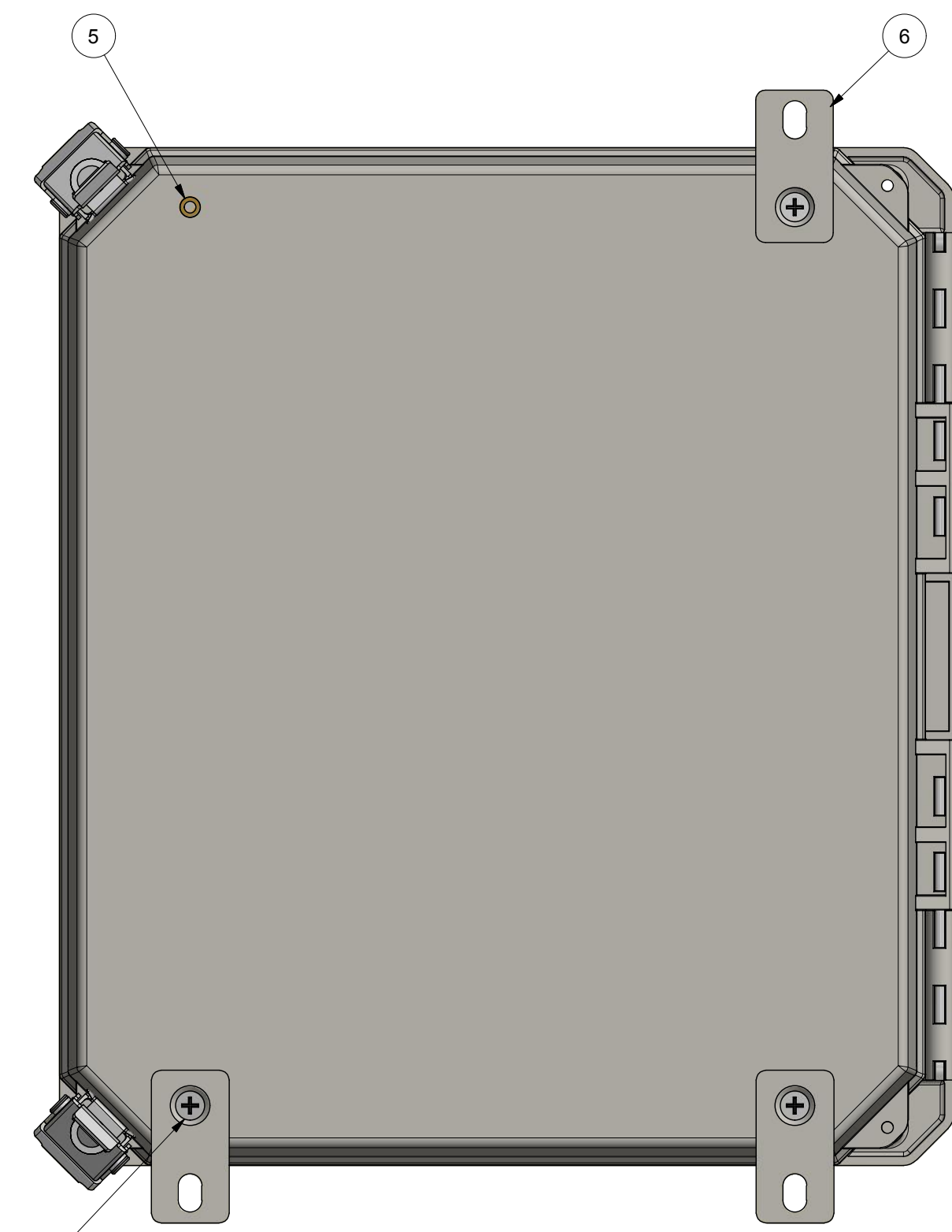
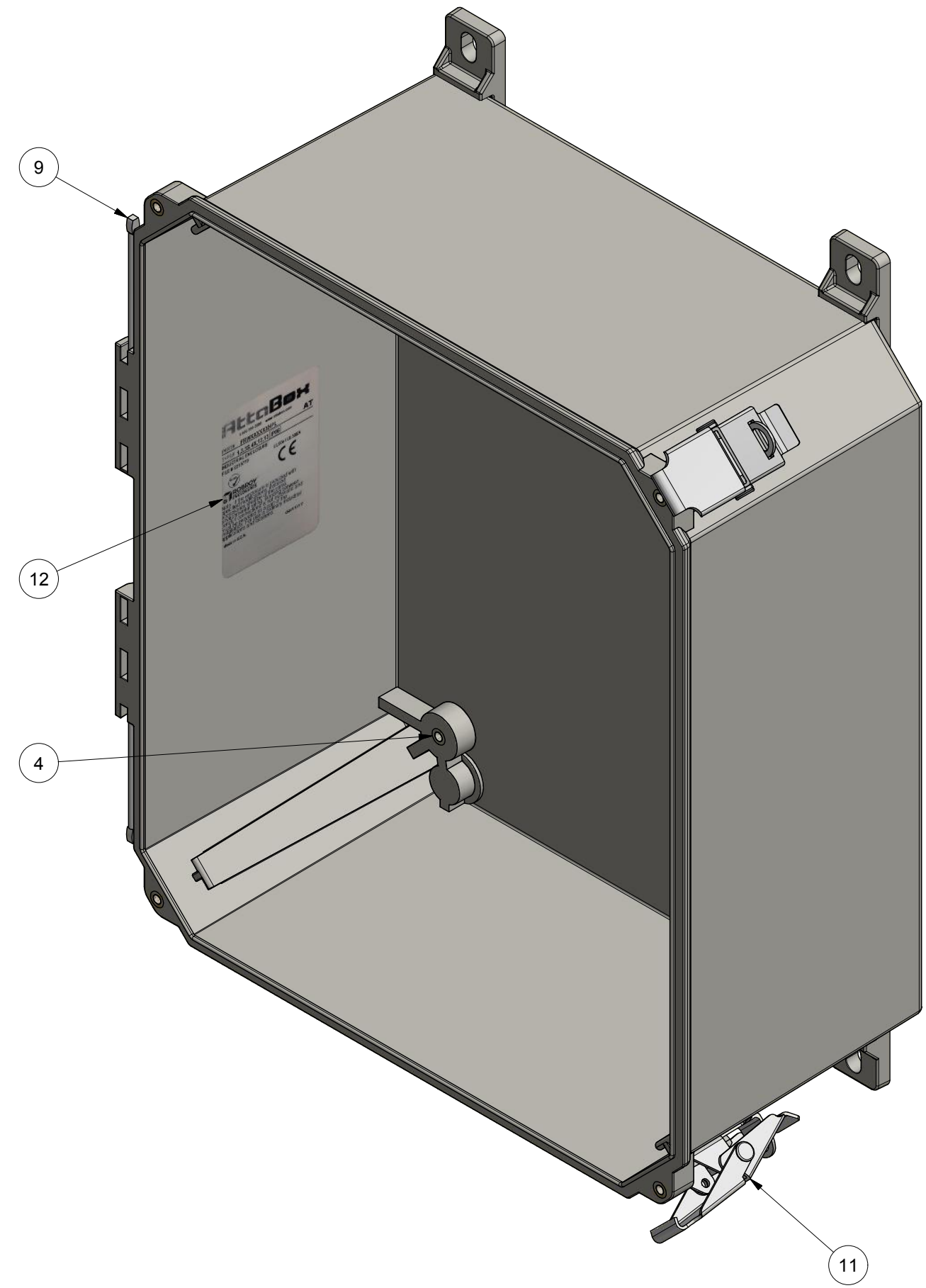
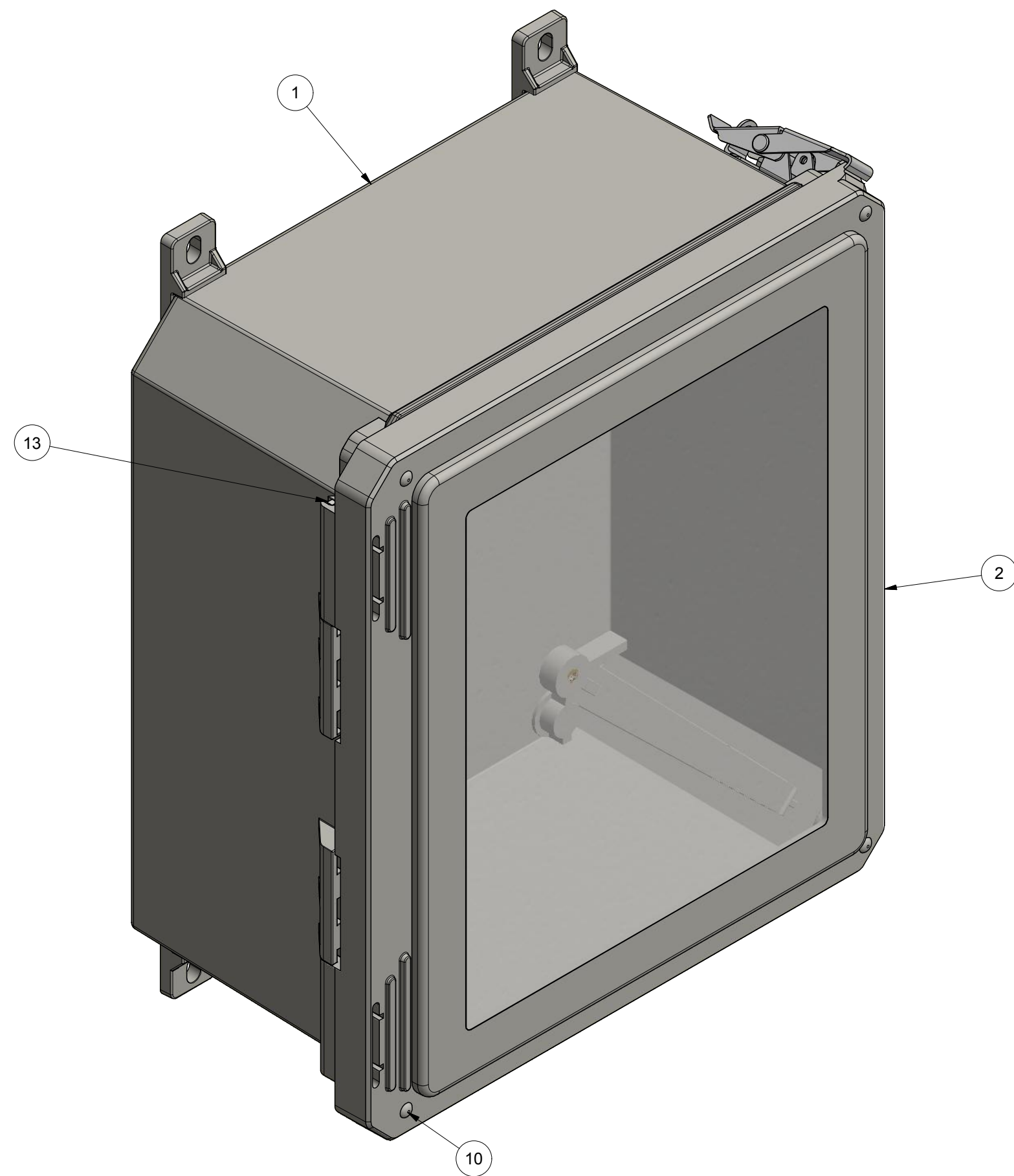
SPECIAL REQUIREMENTS			
ASSEMBLY:			
1. MOUNTING FEET SHOWN AS INSTALLED - FOR REFERENCE ONLY			
- SOLD SEPARATELY			
- FREEDOM SERIES MOUNTING FOOT KIT (FEFRMGFTKIT)			
- INCLUDES (4) #10-32 x 7/16 FLAT HEAD PHILLIPS HEAD SCREWS (RMS10-32X7/16FHPH)			
2. (1) FREEDOM SERIES SCREW PACK (W4P4RBP) SHALL BE PACKAGED LOOSELY INSIDE ENCLOSURE.			
HARDWARE INCLUDED:			
- (4) #10-32 x 3/8 PAN HEAD SCREW (RMS10/32X3/8ZN)			
- (4) #10 WASHER (RMMAS10ZN)			
3. (1) STYROFOAM SHEET SHALL BE PLACED ON TOP OF WINDOW INSIDE CARTON			

NEMA 250: TYPE 1, 3, 3S, 4X, 12, 13		STANDARD P/N: FRW121006HPL		ALL DIMENSIONS ARE IN INCHES UNLESS OTHERWISE SPECIFIED		TOLERANCES .XX .XXX ± 0.03 ± 0.010	
IEC 60529: IP66		CUSTOMER DWG:		UNLESS SPECIFIED			
COLOR: GLACIER GREY (WPR3X13)							
COLOR STANDARD: PANTONE 428 C							
MATERIAL: FIBERGLASS REINFORCED POLYESTER (FRP)				REVISION HISTORY			
REV	DESCRIPTION	DATE	ENG	REV	DESCRIPTION	DATE	ENG
-	-	-	-	-	-	-	-
-	-	-	-	-	-	-	-
-	-	-	-	-	-	-	-
-	-	-	-	-	-	-	-
-	-	-	-	-	-	-	-
-	-	-	-	-	-	-	-
www.attabox.com				DRAWN BY: DATE: CUSTOMER: DWG: PART NUMBER			
E91 05/10/17				SCALE: DO NOT SCALE DESCRIPTION: STANDARD ENCLOSURE PART NUMBER: ATFRW121006HPL			

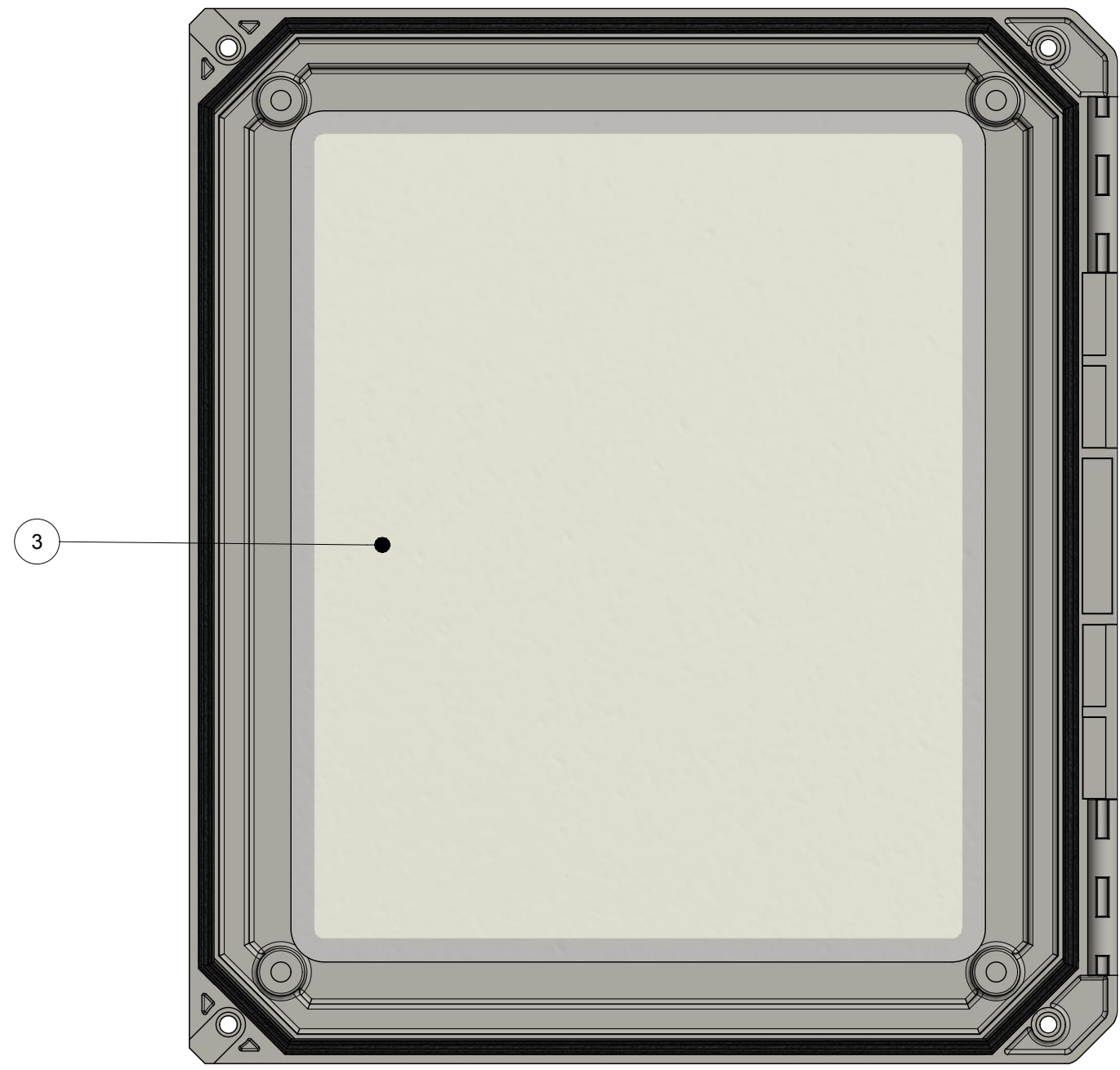
DETAIL A
WINDOW MATERIAL: S.A.R. ACRYLIC, 1/4" THICK
ABRADE INSIDE COVER SURFACE PRIOR TO BONDING
WINDOW BONDED USING MA-320
WINDOW SURFACE FLUSH TOLERANCE: +0.020 / -0.030
0.010 MAX. EXPANSION GAP BETWEEN COVER CUTOUT & WINDOW

AttaBox
Robroy Enclosures
500 Maple Street
Belding, Michigan 48809
Phone: 616-794-0700
Fax: 616-749-3378

8 7 6 5 4 3 2 1



BACK SIDE
(1) MOUNTING FOOT REMOVED FOR CLARITY
TORQUE SCREWS TO 25 IN.-LBS




NOTES:
1. RTV 732 SILICONE SEALANT SHALL BE APPLIED ON HINGE PINS AFTER INSTALLATION

PARTS LIST			
ITEM	QTY	PART NUMBER	DESCRIPTION
1	1	WP121006B	FR121006 MOLDED HINGE BOX
2	1	WP121006U	FR121006 GASKETED HINGE COVER
3	1	WPW121006RGLAS	ROUTED FRW1210 GLASS
4	8	RMINS45821P	#10-32 THREADED BRASS INSERT
5	4	RMINS700113	#10-32 x 5/16 THREADED BRASS INSERT
6	1	FEFRMGFTKIT	FREEDOM SERIES MOUNTING FOOT KIT (INCLUDES (4) MOUNTING FEET WITH SCREWS)
7	4	RMSC10-32X7/16FHPH	10-32 x 7/16 FLAT HEAD PHILLIPS HEAD SCREW (INCLUDED WITH FEFRMGFTKIT)
8	1	WP4PKBP	FREEDOM SERIES SCREW PACK
9	2	RMHINGAT40006-03	FREEDOM SERIES HINGE PIN
10	4	RMAT1656AA	COVER BUSHING
11	2	RMLATATPLSSL	PLAIN HPL LATCH
12	1	RMLABBLANK3X2	FRW121006HPL LABEL
13	AR	RTV-732	SILICONE SEALANT

THIS DRAWING IS THE SOLE AND EXCLUSIVE PROPERTY OF ROBROY ENCLOSURES. NO PART OF THIS DRAWING MAY BE REPRODUCED, DISTRIBUTED, OR PUBLICALLY DISPLAYED IN ANY FORM OR BY ANY MEANS WITHOUT THE EXPRESS WRITTEN PERMISSION OF ROBROY ENCLOSURES. ALL RIGHTS RESERVED. UNDER THE COPYRIGHT LAWS. COPYRIGHT © 2017 ROBROY ENCLOSURES

SPECIAL REQUIREMENTS
ASSEMBLY:
 1. MOUNTING FEET SHOWN AS INSTALLED - FOR REFERENCE ONLY
 -SOLD SEPARATELY
 -FREEDOM SERIES MOUNTING FOOT KIT (FEFRMGFTKIT)
 -INCLUDES (4) #10-32 x 7/16 FLAT HEAD PHILLIPS HEAD SCREWS (RMSC10-32X7/16FHPH)
 2. (1) FREEDOM SERIES SCREW PACK (WP4PKBP) SHALL BE PACKAGED LOOSELY INSIDE ENCLOSURE.
 -HARDWARE INCLUDED:
 -4) #10-32 x 3/8 PAN HEAD SCREW (RMSC10/32X3/8ZN)
 -4) #10 WASHER (RMWAS10ZN)
 3. (1) STYROFOAM SHEET SHALL BE PLACED ON TOP OF WINDOW INSIDE CARTON

NEMA 250: TYPE 1, 3, 3S, 4X, 12, 13 IEC 60529: IP66 COLOR: GLACIER GREY (WPR3X13) COLOR STANDARD: PANTONE 428 C	STANDARD P/N: FRW121006HPL CUSTOMER DWG:	ALL DIMENSIONS ARE IN INCHES UNLESS OTHERWISE SPECIFIED	TOLERANCES UNLESS SPECIFIED .XX ± 0.03 .XXX ± 0.010	
MATERIAL: FIBERGLASS REINFORCED POLYESTER (FRP)		 Robroy Enclosures 500 Maple Street Belding, Michigan 48809 Phone: 616-794-0700 Fax: 616-749-3378		
DRAWN BY: E91	DATE: 05/10/17			CUSTOMER:
SCALE: DO NOT SCALE	DESCRIPTION: STANDARD ENCLOSURE			PART NUMBER: ATFRW121006HPL