

FOR REFERENCE ONLY
MOUNTING FEET SHOWN AS INSTALLED

SECTION A-A

SECTION B-B

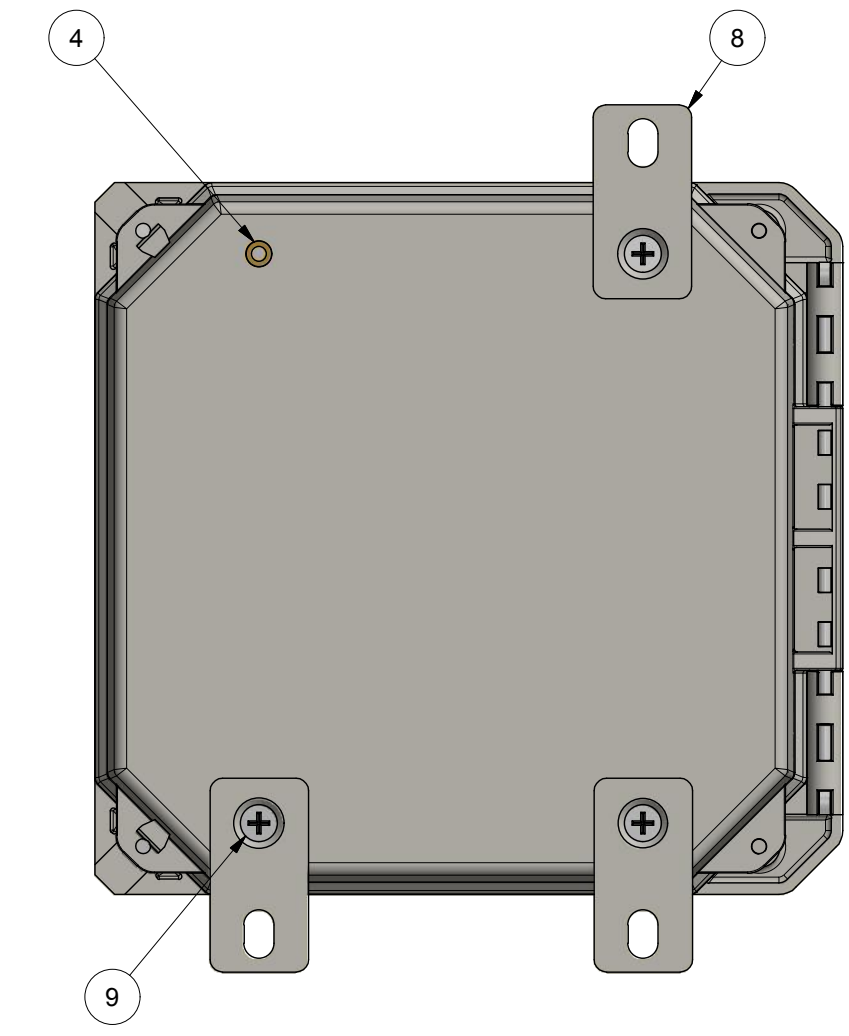
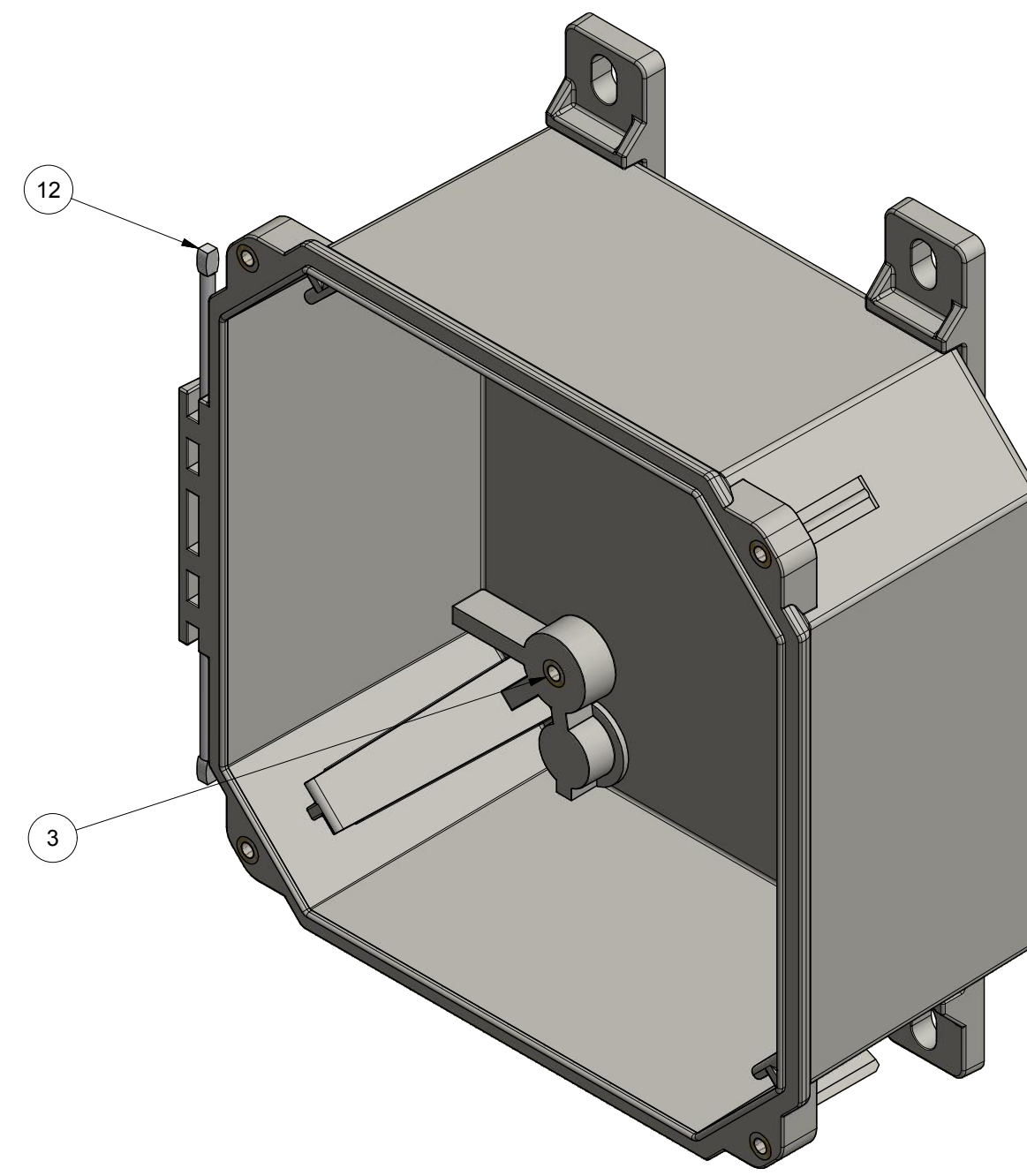
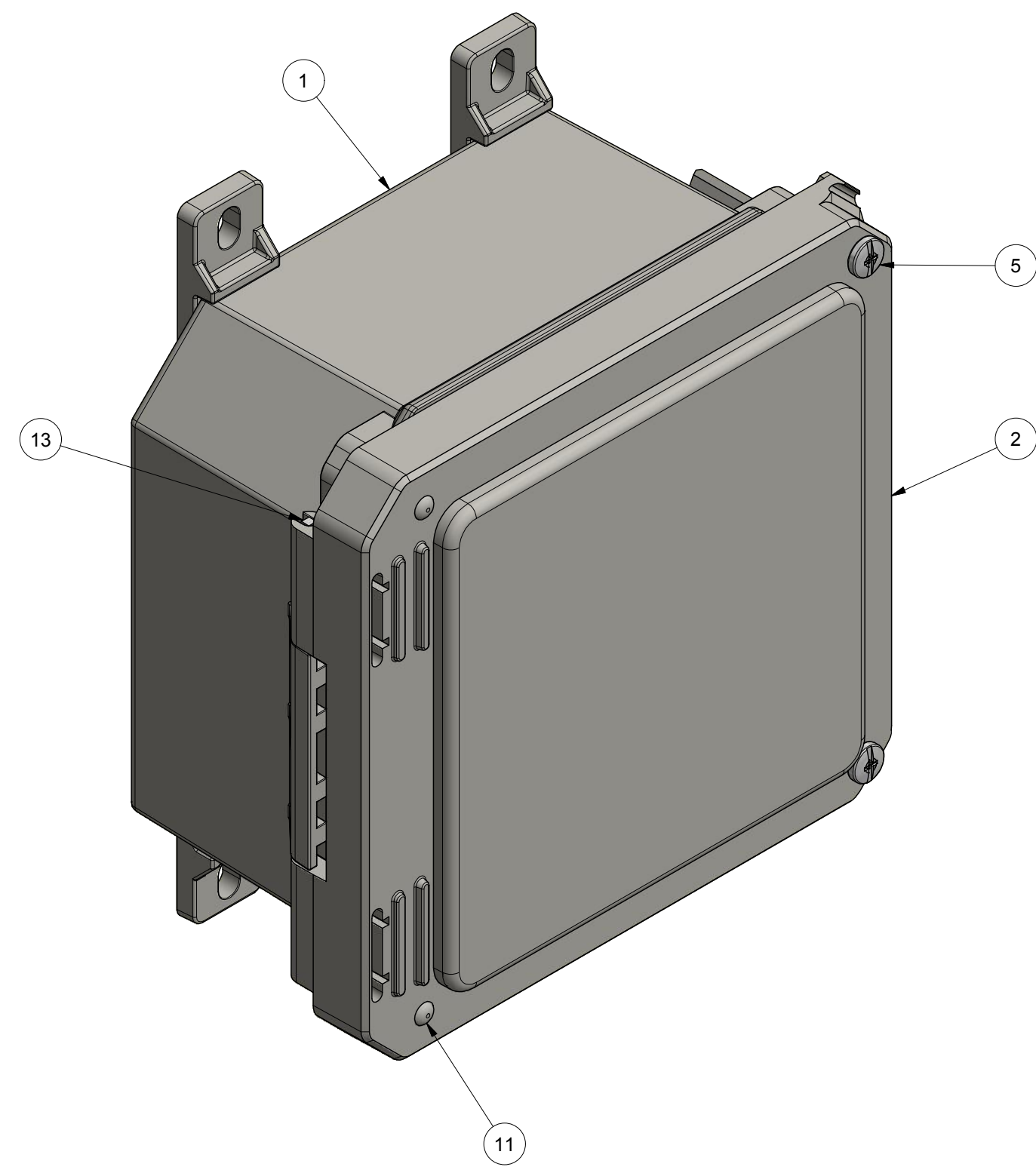
DETAIL C
(4X)

END USER NOTES:
1. TORQUE COVER SCREWS TO 20-24 IN.-LBS. TO MAINTAIN RATINGS.

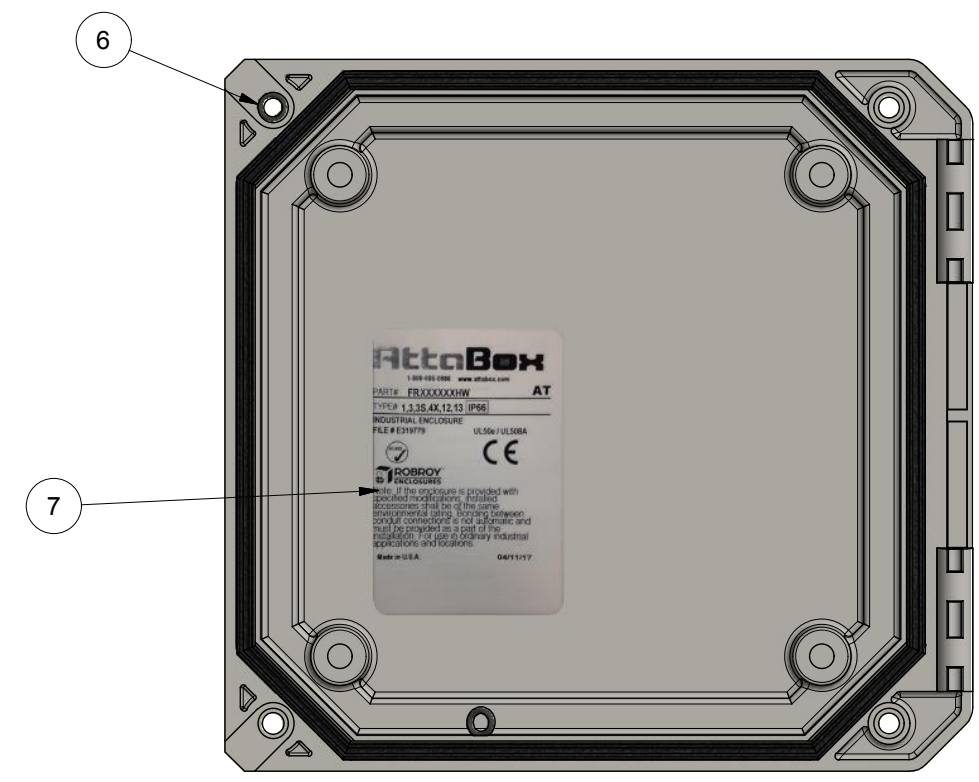
THIS DRAWING IS THE SOLE AND EXCLUSIVE PROPERTY OF ROBROY ENCLOSURES. NO PART OF THIS DRAWING MAY BE REPRODUCED, DISTRIBUTED, OR PUBLICALLY DISPLAYED IN ANY FORM OR BY ANY MEANS WITHOUT THE EXPRESS WRITTEN PERMISSION OF ROBROY ENCLOSURES. ALL RIGHTS RESERVED. UNDER THE COPYRIGHT LAWS. COPYRIGHT © 2017 ROBROY ENCLOSURES.

- SPECIAL REQUIREMENTS**
- ASSEMBLY:**
1. MOUNTING FEET SHOWN AS INSTALLED - FOR REFERENCE ONLY
- SOLD SEPARATELY
- FREEDOM SERIES MOUNTING FOOT KIT (FEFRMGFTKIT)
- INCLUDES: (4) #10-32 x 7/16 FLAT HEAD PHILLIPS HEAD SCREWS (RMSC10-32X7/16FHPH)
2. (1) FREEDOM SERIES SCREW PACK (WSP2FRBP) SHALL BE PACKAGED LOOSELY INSIDE ENCLOSURE
HARDWARE INCLUDED:
- (2) #10-32 x 1.14 PAN HEAD COMBINATION DRIVE SCREW (RMSC10-32X1.14COM)
- (4) #10-32 x 3/8 PAN HEAD SCREW (RMSC10-32X3/8Z)
- (4) #10 WASHER (RMWAS10Z)
- (2) O-RING FOR COVER SCREW (RMASS68007)

NEMA 250: TYPE 1, 3, 3S, 4X, 12, 13 IEC 60529: IP66		STANDARD P/N: FR60604HW	ALL DIMENSIONS ARE IN INCHES UNLESS OTHERWISE SPECIFIED	TOLERANCES UNLESS SPECIFIED	.XX ± 0.03	.XXX ± 0.010																																																															
COLOR: GLACIER GREY (WPR3X13) COLOR STANDARD: PANTONE 428 C		CUSTOMER DWG:	<p>Robroy Enclosures 500 Maple Street Belding, Michigan 48809 Phone: 616-794-0700 Fax: 616-749-3378</p>																																																																		
MATERIAL: FIBERGLASS REINFORCED POLYESTER (FRP)																																																																					
<table border="1"> <thead> <tr> <th colspan="7">REVISION HISTORY</th> </tr> <tr> <th>REV</th> <th>DESCRIPTION</th> <th>DATE</th> <th>ENG</th> <th colspan="3"></th> </tr> </thead> <tbody> <tr><td>-</td><td>-</td><td>-</td><td>-</td><td colspan="3"></td></tr> <tr><td>-</td><td>-</td><td>-</td><td>-</td><td colspan="3"></td></tr> <tr><td>-</td><td>-</td><td>-</td><td>-</td><td colspan="3"></td></tr> <tr><td>-</td><td>-</td><td>-</td><td>-</td><td colspan="3"></td></tr> <tr><td>-</td><td>-</td><td>-</td><td>-</td><td colspan="3"></td></tr> <tr><td>-</td><td>-</td><td>-</td><td>-</td><td colspan="3"></td></tr> <tr><td>-</td><td>-</td><td>-</td><td>-</td><td colspan="3"></td></tr> </tbody> </table>							REVISION HISTORY							REV	DESCRIPTION	DATE	ENG				-	-	-	-				-	-	-	-				-	-	-	-				-	-	-	-				-	-	-	-				-	-	-	-				-	-	-	-			
REVISION HISTORY																																																																					
REV	DESCRIPTION	DATE	ENG																																																																		
-	-	-	-																																																																		
-	-	-	-																																																																		
-	-	-	-																																																																		
-	-	-	-																																																																		
-	-	-	-																																																																		
-	-	-	-																																																																		
-	-	-	-																																																																		
<table border="1"> <tr> <td>DRAWN BY</td> <td>DATE</td> <td>CUSTOMER</td> <td colspan="4">DWG</td> </tr> <tr> <td>E91</td> <td>05/11/17</td> <td></td> <td colspan="4">FR60604HW</td> </tr> </table>		DRAWN BY	DATE	CUSTOMER	DWG				E91	05/11/17		FR60604HW				SCALE	DESCRIPTION	PART NUMBER																																																			
DRAWN BY	DATE	CUSTOMER	DWG																																																																		
E91	05/11/17		FR60604HW																																																																		
DO NOT SCALE		STANDARD ENCLOSURE	ATFR60604HW																																																																		



BACK SIDE
(1) MOUNTING FOOT REMOVED FOR CLARITY
TORQUE SCREWS TO 25 IN.-LBS




NOTES:
1. RTV 732 SILICONE SEALANT SHALL BE APPLIED ON HINGE PINS AFTER INSTALLATION

PARTS LIST			
ITEM	QTY	PART NUMBER	DESCRIPTION
1	1	WP60604B	FR60604 MOLDED HINGE BOX
2	1	WP60604U	FR60604 GASKETED HINGE COVER
3	8	RMINS45821P	#10-32 THREADED BRASS INSERT
4	4	RMINS700113	#10-32 X 5/16 THREADED BRASS INSERT
5	2	RMSC10-32X1-1/4COM	#10-32 X 1-1/4 COMBINATION DRIVE SCREW (INCLUDED WITH WP2PKFRBP)
6	2	RMAS568007	O-RING FOR COVER SCREW (INCLUDED WITH WP2PKFRBP)
7	1	RMLABBLANK3X2	FR60604HW LABEL
8	1	FEFRMGFTKIT	FREEDOM SERIES MOUNTING FOOT KIT (INCLUDES (4) MOUNTING FEET WITH SCREWS)
9	4	RMSC10-32X7/16FHPH	10-32 X 7/16 FLAT HEAD PHILLIPS HEAD SCREW (INCLUDED WITH FEFRMGFTKIT)
10	1	WP2PKFRBP	FREEDOM SERIES SCREW PACK
11	2	RMAT1656AA	COVER BUSHING
12	2	RMHINGAT40006-01	FREEDOM SERIES HINGE PIN
13	AR	RTV-732	SILICONE SEALANT

THIS DRAWING IS THE SOLE AND EXCLUSIVE PROPERTY OF ROBROY ENCLOSURES. NO PART OF THIS DRAWING MAY BE REPRODUCED, DISTRIBUTED, OR PUBLICALLY DISPLAYED IN ANY FORM OR BY ANY MEANS WITHOUT THE EXPRESS WRITTEN PERMISSION OF ROBROY ENCLOSURES. ALL RIGHTS RESERVED. UNDER THE COPYRIGHT LAWS. COPYRIGHT © 2017 ROBROY ENCLOSURES

SPECIAL REQUIREMENTS	
ASSEMBLY: 1. MOUNTING FEET SHOWN AS INSTALLED - FOR REFERENCE ONLY -SOLD SEPARATELY -FREEDOM SERIES MOUNTING FOOT KIT (FEFRMGFTKIT) -INCLUDES (4) #10-32 X 7/16 FLAT HEAD PHILLIPS HEAD SCREWS (RMSC10-32X7/16FHPH) 2. (1) FREEDOM SERIES SCREW PACK (WP2PKFRBP) SHALL BE PACKAGED LOOSELY INSIDE ENCLOSURE HARDWARE INCLUDED: - (3) #10-32 X 1-1/4 PAN HEAD COMBINATION DRIVE SCREW (RMSC10-32X1-1/4COM) - (4) #10-32 X 3/8 PAN HEAD SCREW (RMSC10-32X3/8ZN) - (4) #10 WASHER (RMWAS10ZN) - (2) O-RING FOR COVER SCREW (RMAS568007)	

NEMA 250: TYPE 1, 3, 3S, 4X, 12, 13 IEC 60529: IP66 COLOR: GLACIER GREY (WPR3X13) COLOR STANDARD: PANTONE 428 C	STANDARD P/N: FR60604HW CUSTOMER DWG:	ALL DIMENSIONS ARE IN INCHES UNLESS OTHERWISE SPECIFIED	TOLERANCES UNLESS SPECIFIED .XX ± 0.03 .XXX ± 0.010
MATERIAL: FIBERGLASS REINFORCED POLYESTER (FRP)		 <p>Robroy Enclosures 500 Maple Street Belding, Michigan 48809 Phone: 616-794-0700 Fax: 616-749-3378</p>	
DRAWN BY: E91 DATE: 05/11/17 SCALE: DO NOT SCALE			
CUSTOMER: _____ DESCRIPTION: STANDARD ENCLOSURE PART NUMBER: ATFR60604HW DWG: FR60604HW			