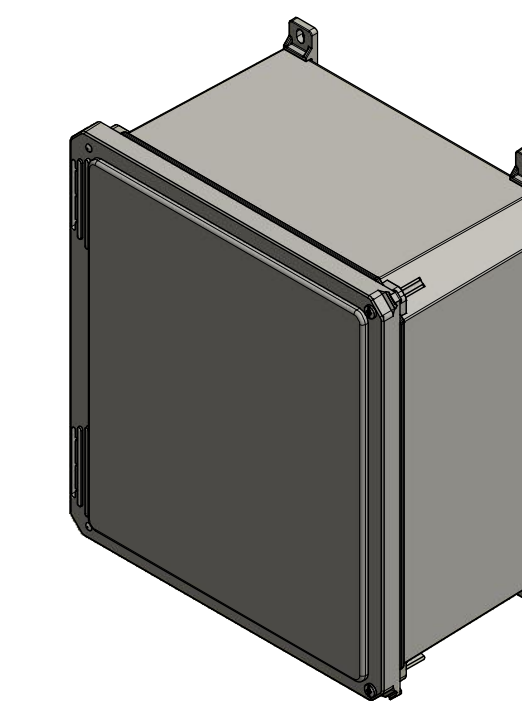
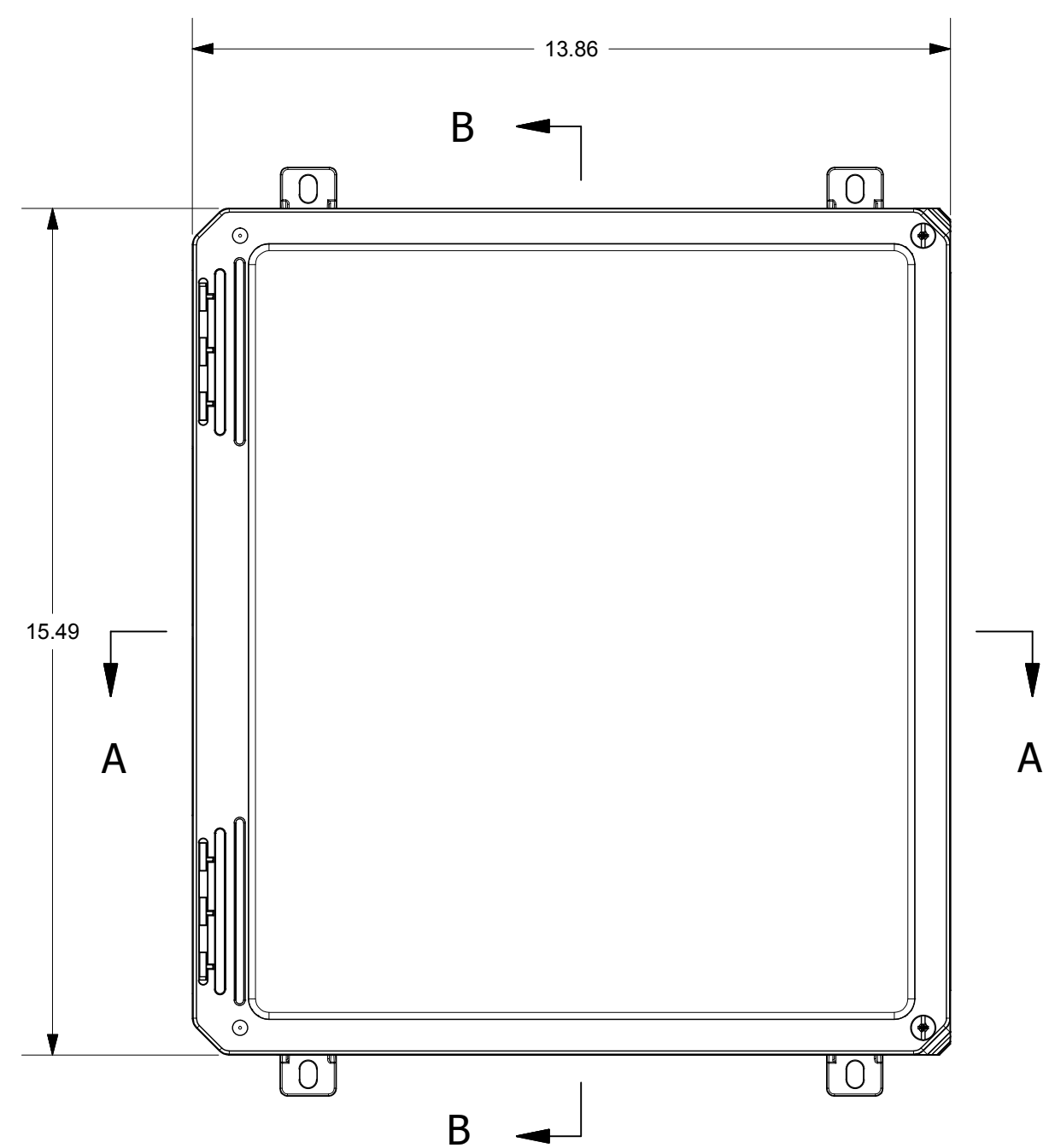
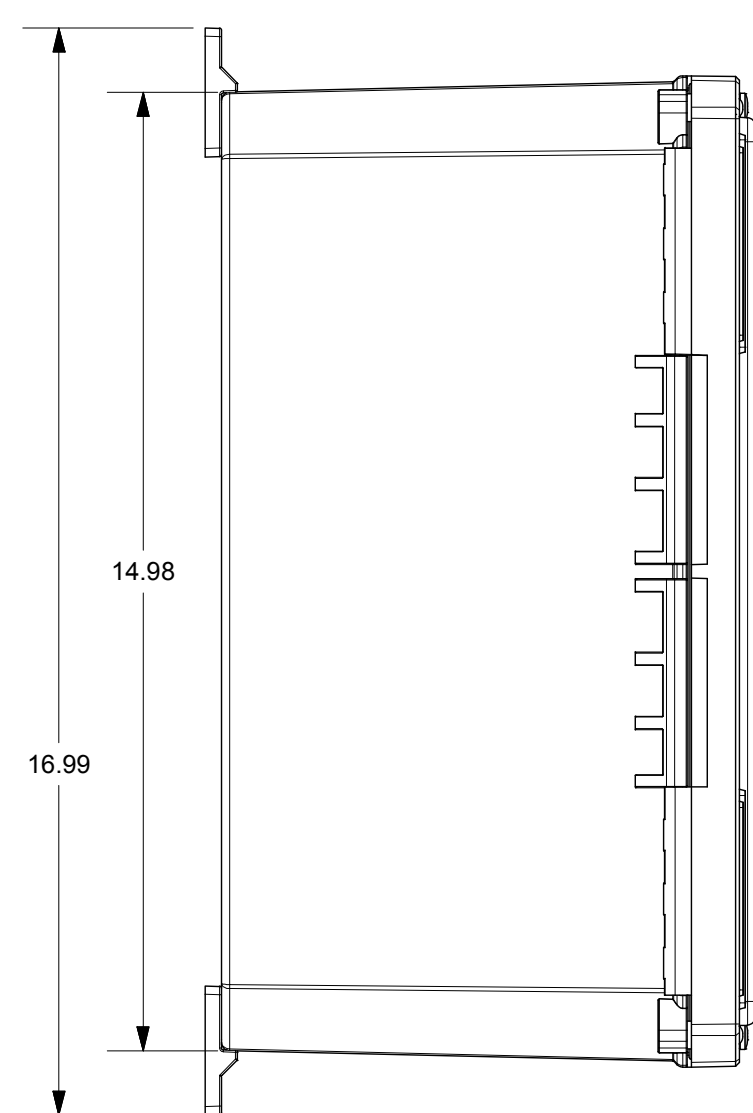


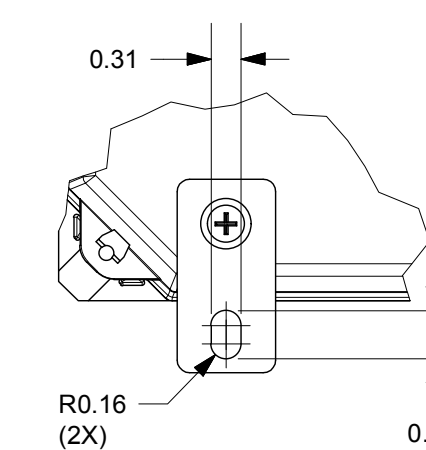
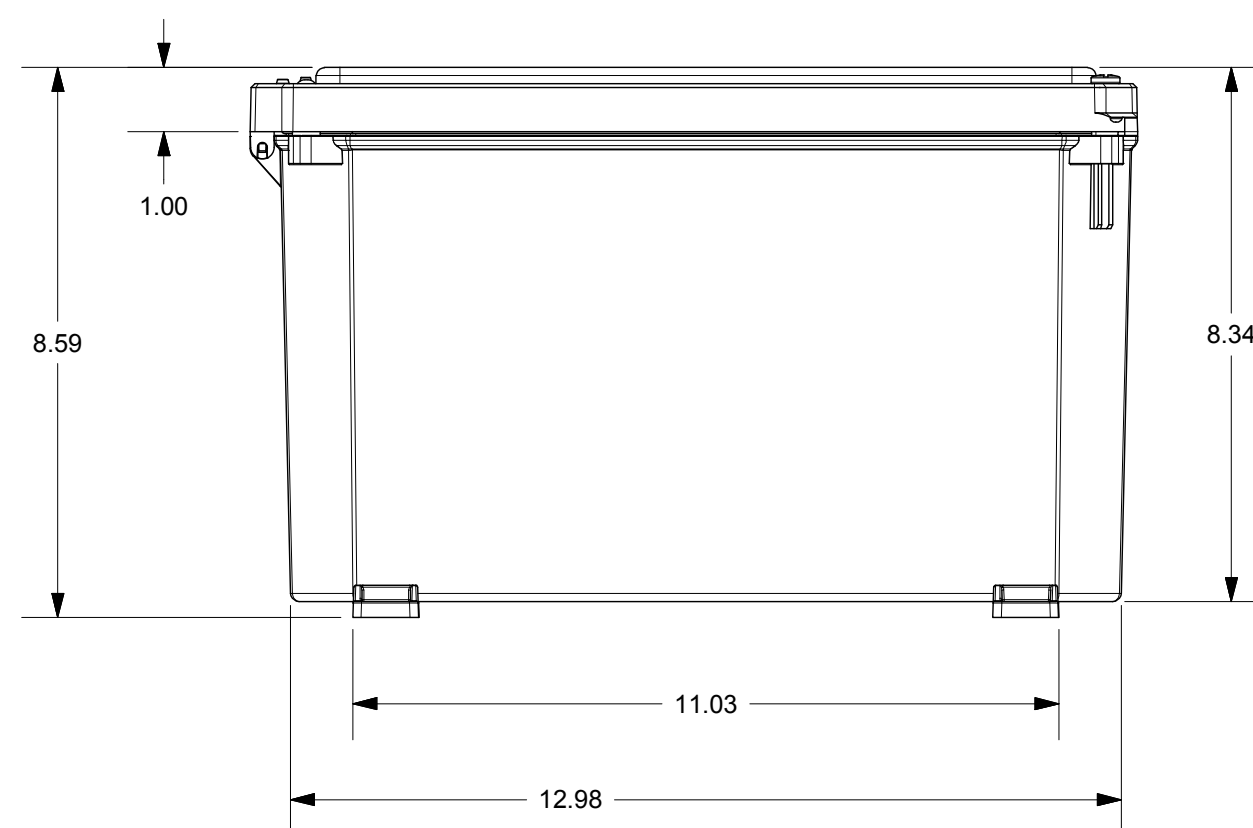
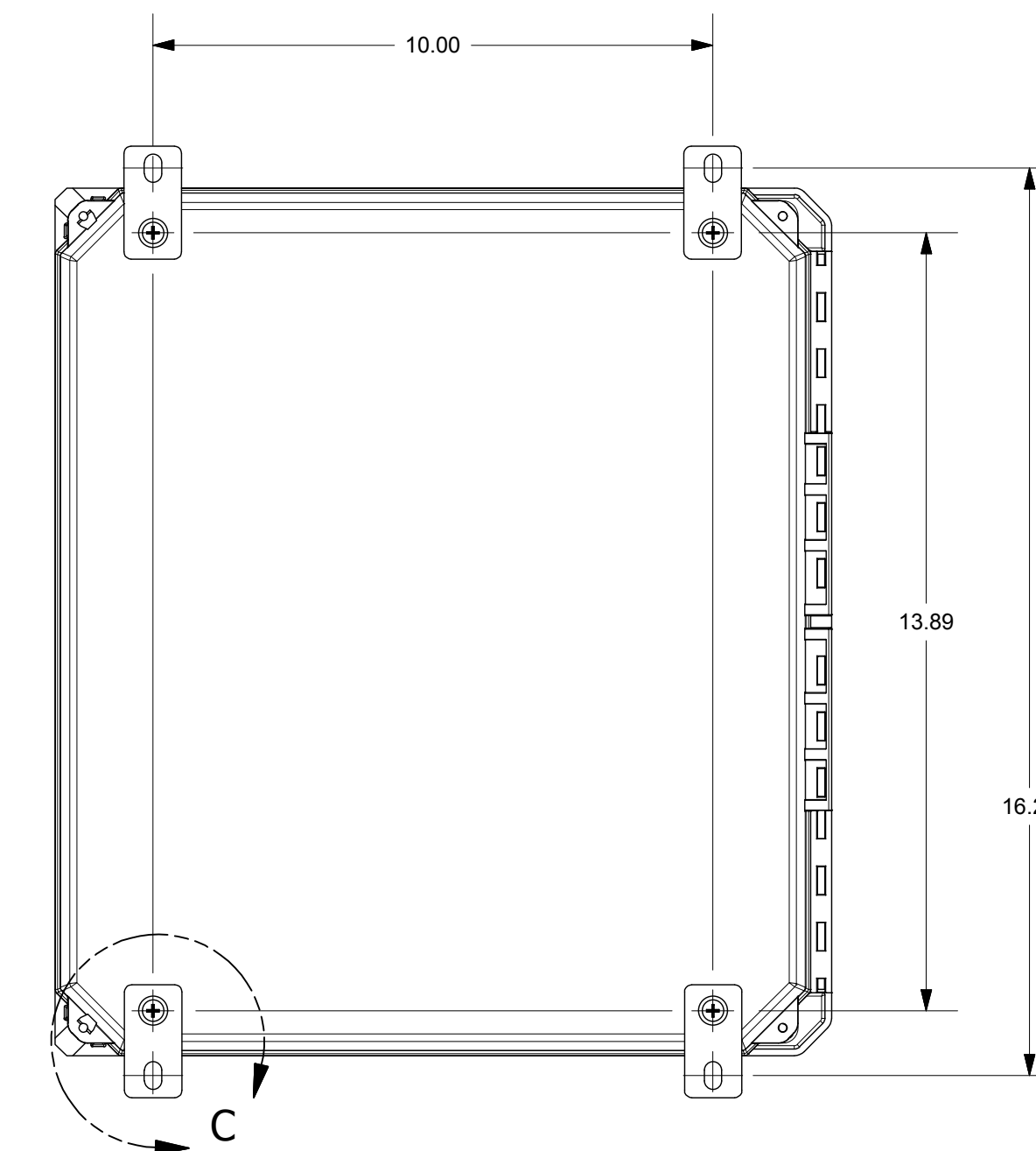
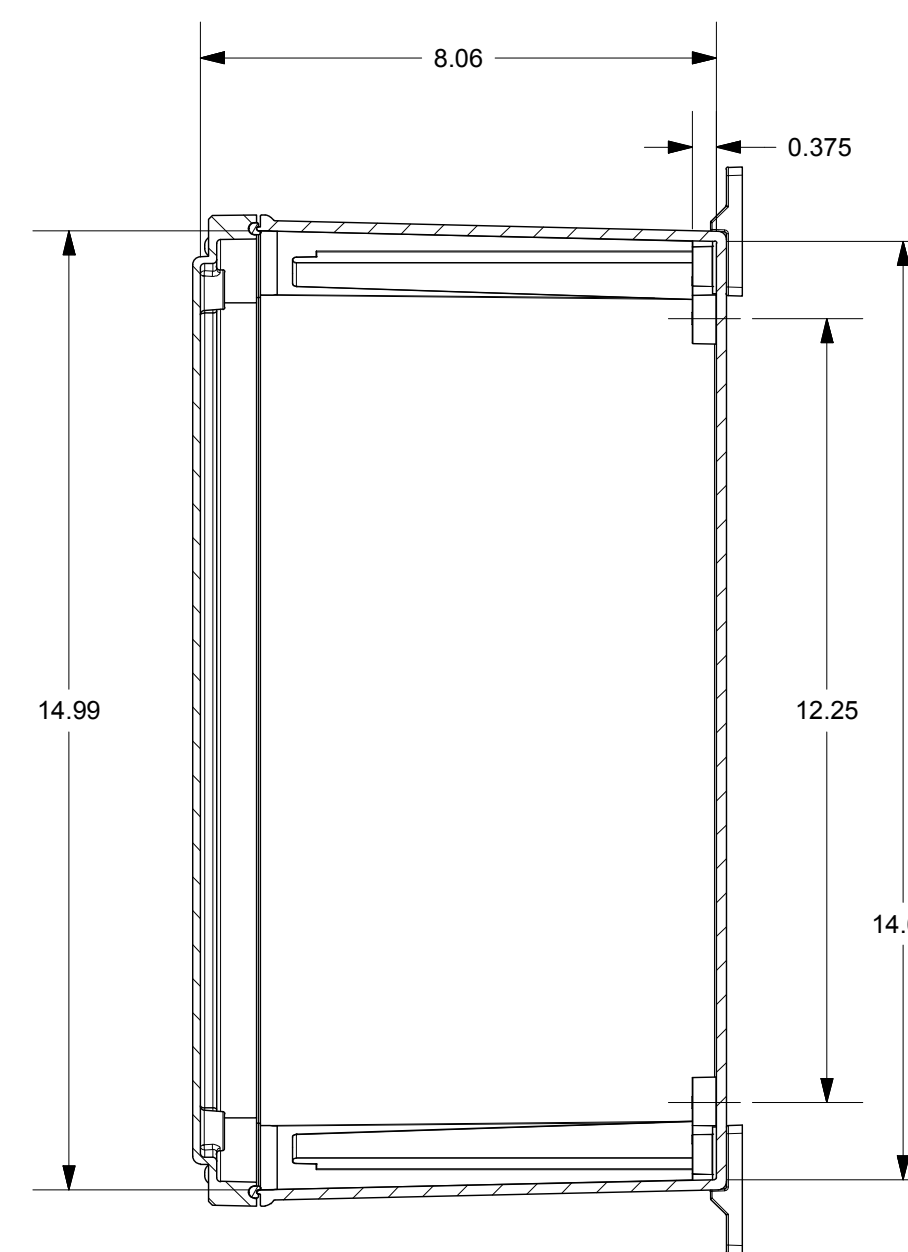
SECTION A-A



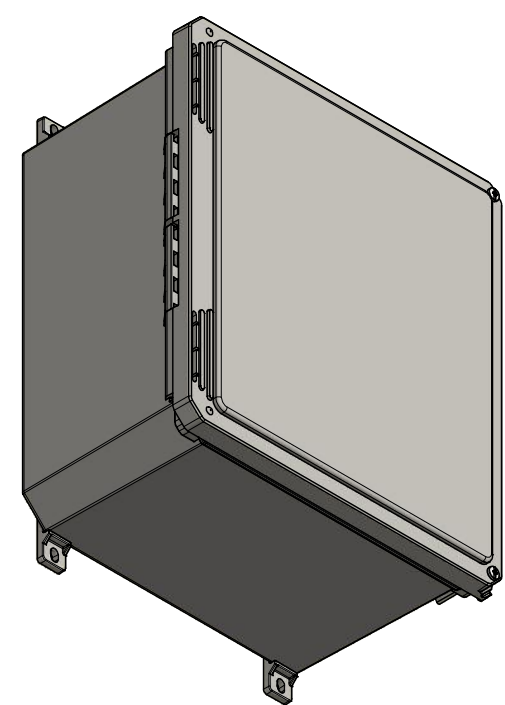
FOR REFERENCE ONLY
MOUNTING FEET SHOWN AS INSTALLED



SECTION B-B



DETAIL C
(4X)



THIS DRAWING IS THE SOLE AND EXCLUSIVE PROPERTY OF ROBROY ENCLOSURES. NO PART OF THIS DRAWING MAY BE REPRODUCED, DISTRIBUTED, OR PUBLICALLY DISPLAYED IN ANY FORM OR BY ANY MEANS WITHOUT THE EXPRESS WRITTEN PERMISSION OF ROBROY ENCLOSURES. ALL RIGHTS RESERVED. UNDER THE COPYRIGHT LAWS. COPYRIGHT © 2017 ROBROY ENCLOSURES.

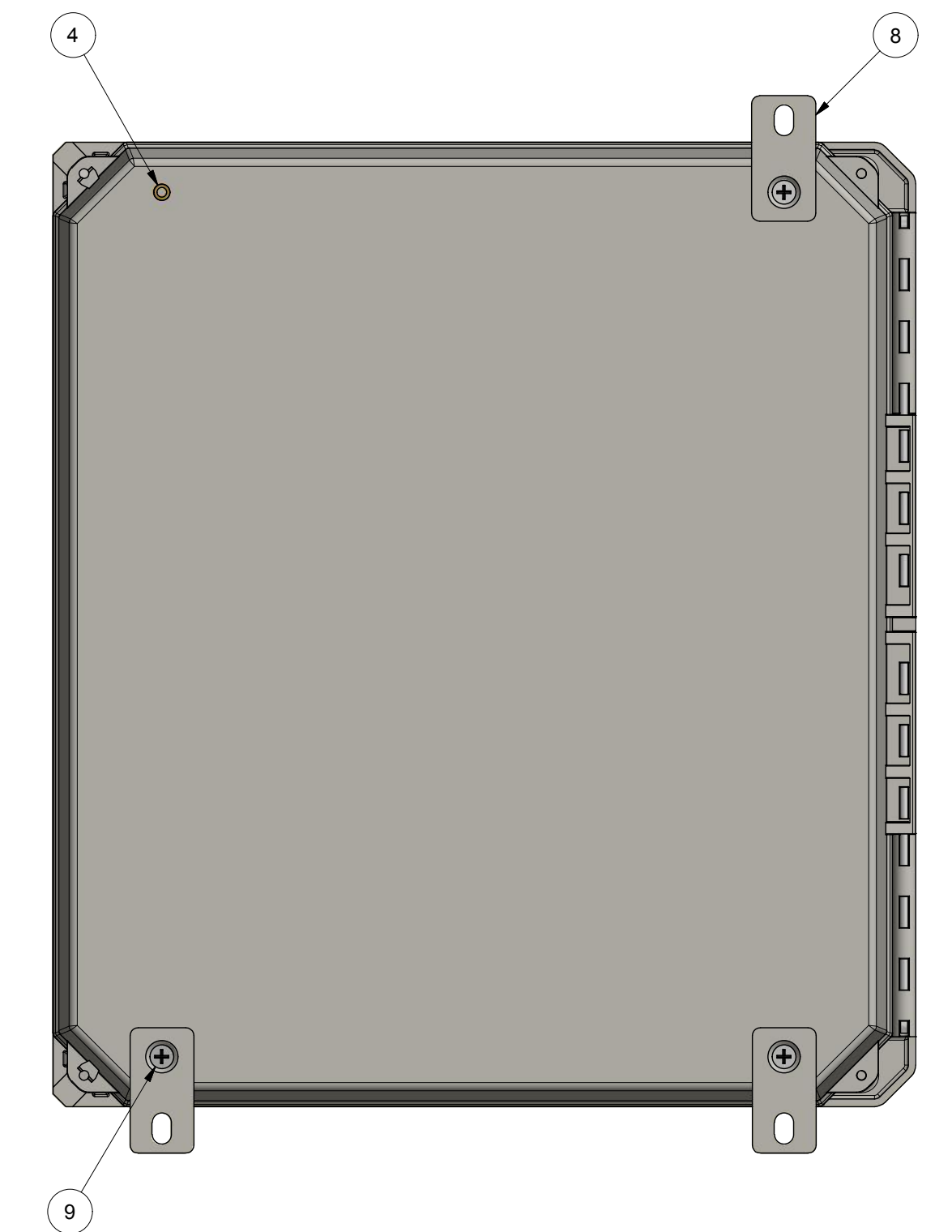
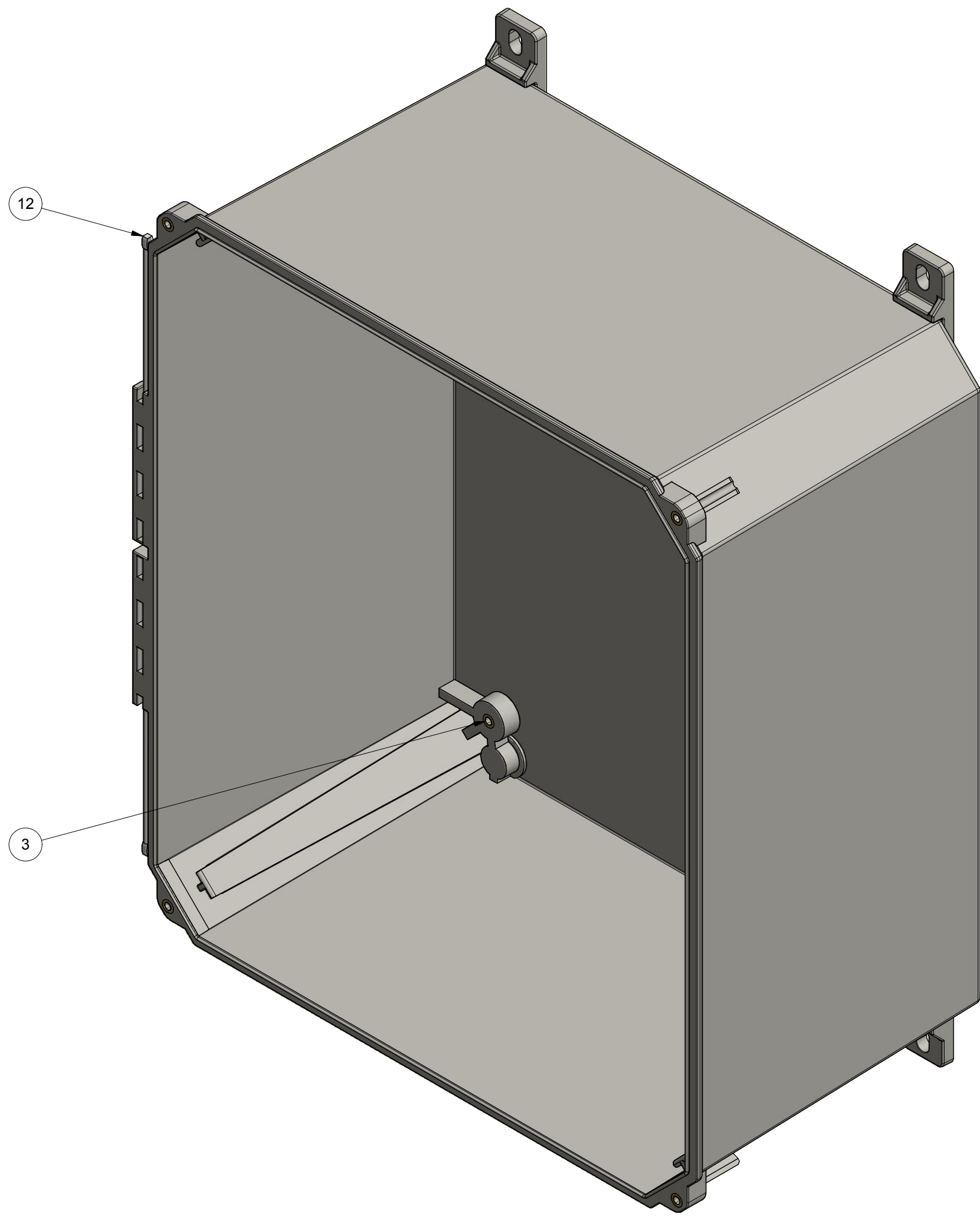
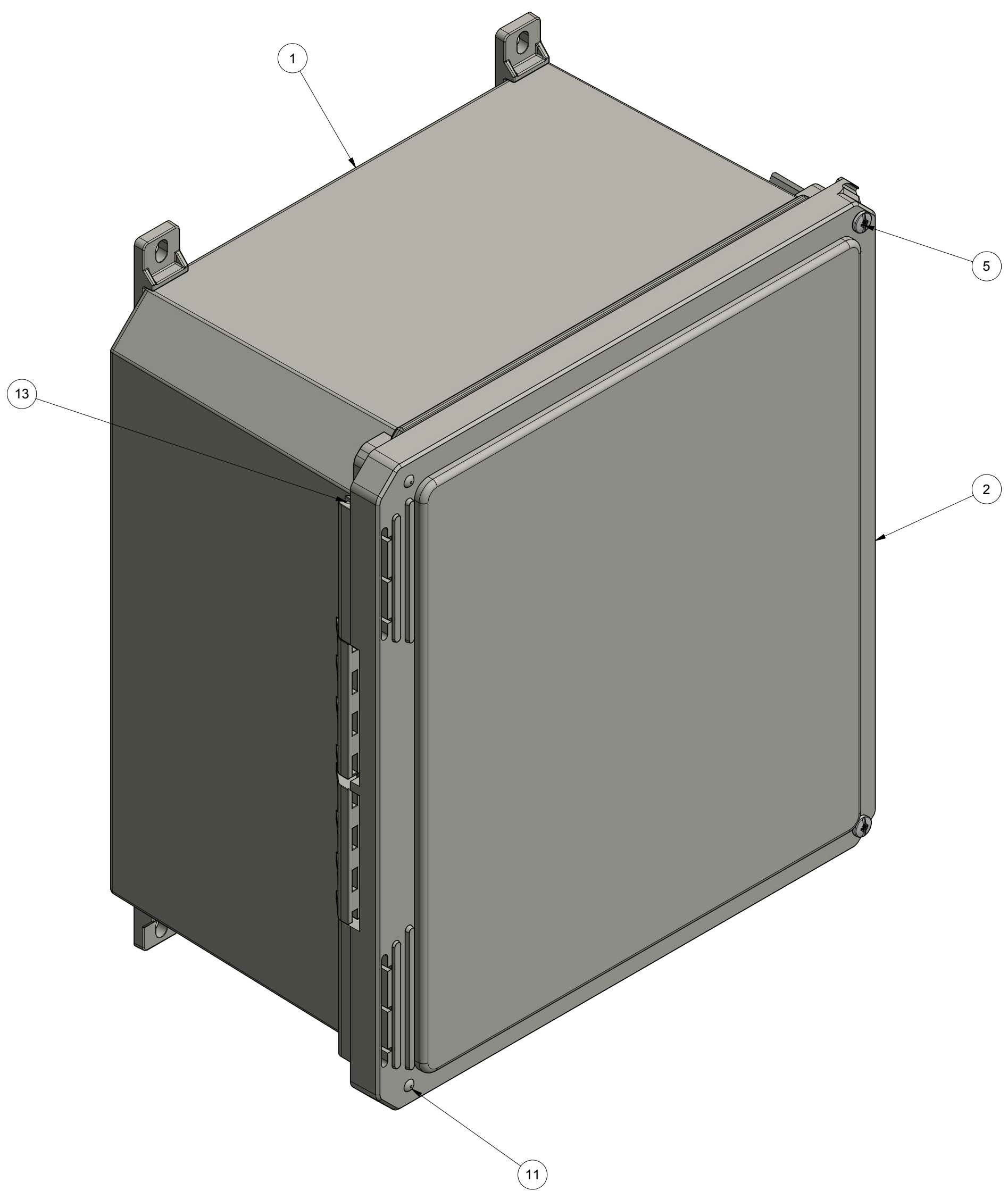
END USER NOTES:
1. TORQUE COVER SCREWS TO 20-24 IN.-LBS. TO MAINTAIN RATINGS

SPECIAL REQUIREMENTS

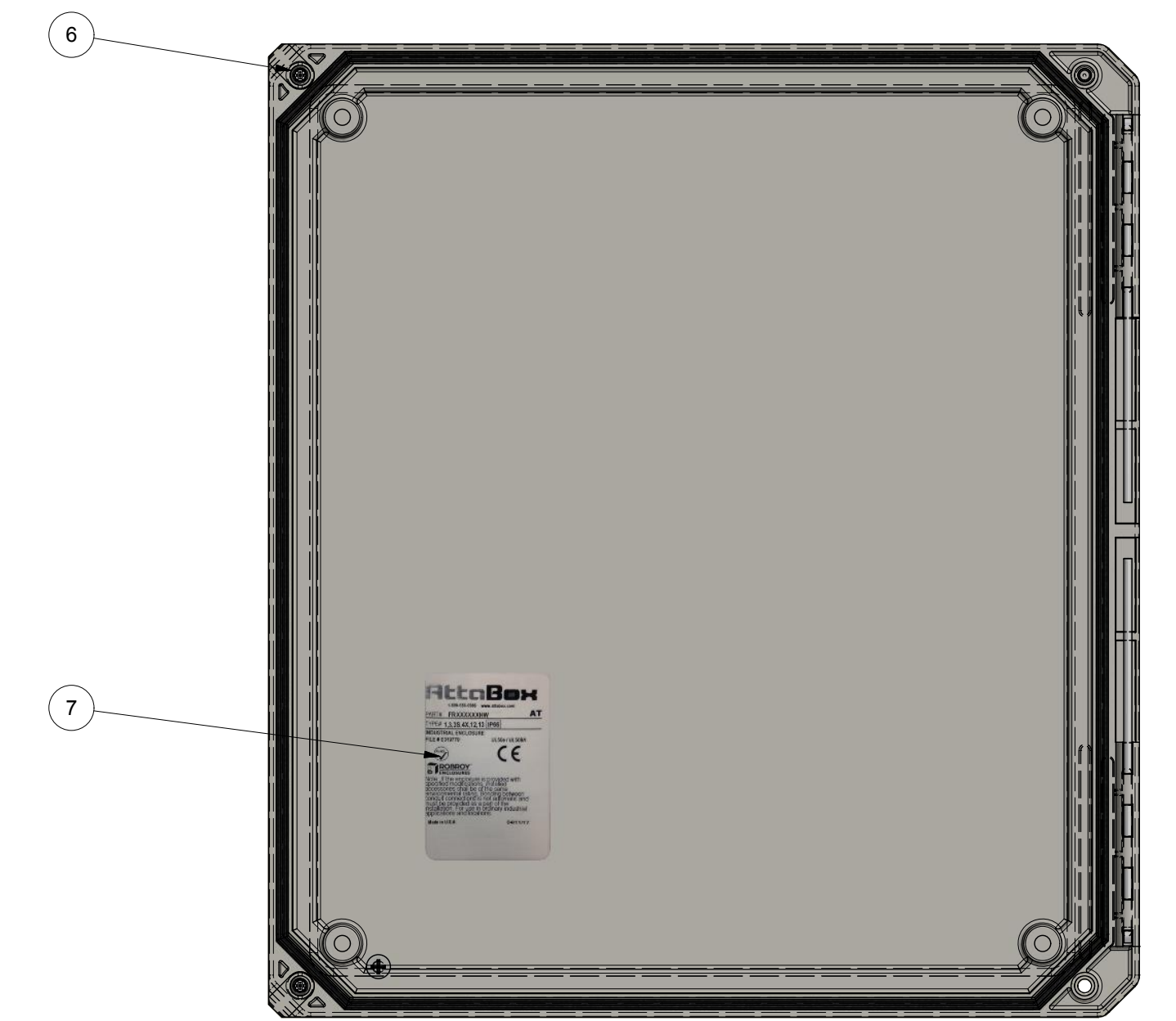
- ASSEMBLY:**
1. MOUNTING FEET SHOWN AS INSTALLED - FOR REFERENCE ONLY
- SOLD SEPARATELY
- FREEDOM SERIES MOUNTING FOOT KIT (FEFRMGFTKIT)
- INCLUDES: (4) #10-32 x 7/16 FLAT HEAD PHILLIPS HEAD SCREWS (RMSC10-32X7/16FHPH)
2. (1) FREEDOM SERIES SCREW PACK (WSP2FRBP) SHALL BE PACKAGED LOOSELY INSIDE ENCLOSURE
HARDWARE INCLUDED:
- (3) #10-32 x 1.14 PAN HEAD COMBINATION DRIVE SCREW (RMSC10-32X1-14COM)
- (4) #10-32 x 3/8 PAN HEAD SCREW (RMSC10-32X3/8ZN)
- (4) #10 WASHER (RMWAS10ZN)
- (2) O-RING FOR COVER SCREW (RMAS568007)

NEMA 250: TYPE 1, 3, 3S, 4X, 12, 13 IEC 60529: IP66		STANDARD P/N: FR141208HW	ALL DIMENSIONS ARE IN INCHES UNLESS OTHERWISE SPECIFIED		TOLERANCES UNLESS SPECIFIED	.XX ± 0.03	.XXX ± 0.010
COLOR: GLACIER GREY (WPR3X13) COLOR STANDARD: PANTONE 428 C		CUSTOMER DWG:					
MATERIAL: FIBERGLASS REINFORCED POLYESTER (FRP)							
REVISION HISTORY		REVISION HISTORY		REVISION HISTORY		REVISION HISTORY	
REV	DESCRIPTION	DATE	ENG	DATE	DESCRIPTION	DATE	DESCRIPTION
-	-	-	-	05/10/17	CUSTOMER	-	DWG
-	-	-	-	-	SCALE	-	PART NUMBER
-	-	-	-	DO NOT SCALE	STANDARD ENCLOSURE	-	ATFR141208HW

Robroy Enclosures
500 Maple Street
Belding, Michigan 48809
Phone: 616-794-0700
Fax: 616-749-3378



BACK SIDE
(1) MOUNTING FOOT REMOVED FOR CLARITY
TORQUE SCREWS TO 25 IN.-LBS




NOTES:
1. RTV 732 SILICONE SEALANT SHALL BE APPLIED ON HINGE PINS AFTER INSTALLATION

PARTS LIST			
ITEM	QTY	PART NUMBER	DESCRIPTION
1	1	WP141208B	FR141208 MOLDED HINGE BOX
2	1	WP141208U	FR141208 GASKETED HINGE COVER
3	8	RMINS45821P	#10-32 THREADED BRASS INSERT
4	4	RMINS700113	#10-32 x 5/16 THREADED BRASS INSERT
5	2	RMSC10-32X1-1/4COM	#10-32 x 1-1/4 COMBINATION DRIVE SCREW (INCLUDED WITH WP2PKFRBP)
6	2	RMAS568007	O-RING FOR COVER SCREW (INCLUDED WITH WP2PKFRBP)
7	1	RMLABBLANK3X2	FR141208HW LABEL
8	1	FEFRMGFTKIT	FREEDOM SERIES MOUNTING FOOT KIT (INCLUDES (4) MOUNTING FEET WITH SCREWS)
9	4	RMSC10-32X7/16FHPH	10-32 x 7/16 FLAT HEAD PHILLIPS HEAD SCREW (INCLUDED WITH FEFRMGFTKIT)
10	1	WP2PKFRBP	FREEDOM SERIES SCREW PACK
11	2	RMAT1656AA	COVER BUSHING
12	2	RMHINGAT40006-04	FREEDOM SERIES HINGE PIN
13	AR	RTV-732	SILICONE SEALANT

THIS DRAWING IS THE SOLE AND EXCLUSIVE PROPERTY OF ROBROY ENCLOSURES. NO PART OF THIS DRAWING MAY BE REPRODUCED, DISTRIBUTED, OR PUBLICALLY DISPLAYED IN ANY FORM OR BY ANY MEANS WITHOUT THE EXPRESS WRITTEN PERMISSION OF ROBROY ENCLOSURES. ALL RIGHTS RESERVED. UNDER THE COPYRIGHT LAWS. COPYRIGHT © 2017 ROBROY ENCLOSURES

SPECIAL REQUIREMENTS
 1. MOUNTING FEET SHOWN AS INSTALLED - FOR REFERENCE ONLY
 -SOLD SEPARATELY
 -FREEDOM SERIES MOUNTING FOOT KIT (FEFRMGFTKIT)
 -INCLUDES (4) #10-32 x 7/16 FLAT HEAD PHILLIPS HEAD SCREWS (RMSC10-32X7/16FHPH)
 2. (1) FREEDOM SERIES SCREW PACK (WP2PKFRBP) SHALL BE PACKAGED LOOSELY INSIDE ENCLOSURE
 HARDWARE INCLUDED:
 - (3) #10-32 x 1-1/4 PAN HEAD COMBINATION DRIVE SCREW (RMSC10-32X1-1/4COM)
 - (4) #10-32 x 3/8 PAN HEAD SCREW (RMSC10-32X3/8Z)
 - (4) #10 WASHER (RMWAS10Z)
 - (2) O-RING FOR COVER SCREW (RMAS568007)

NEMA 250: TYPE 1, 3, 3S, 4X, 12, 13 IEC 60529: IP66 COLOR: GLACIER GREY (WPR3X13) COLOR STANDARD: PANTONE 428 C	STANDARD P/N: FR141208HW CUSTOMER DWG:	ALL DIMENSIONS ARE IN INCHES UNLESS OTHERWISE SPECIFIED	TOLERANCES UNLESS SPECIFIED .XX ± 0.03 .XXX ± 0.010
MATERIAL: FIBERGLASS REINFORCED POLYESTER (FRP)		 <p>Robroy Enclosures 500 Maple Street Belding, Michigan 48809 Phone: 616-794-0700 Fax: 616-749-3378</p>	
DRAWN BY: E91 DATE: 05/10/17			
SCALE: DO NOT SCALE			
CUSTOMER: STANDARD ENCLOSURE		DWG: ATFR141208HW	