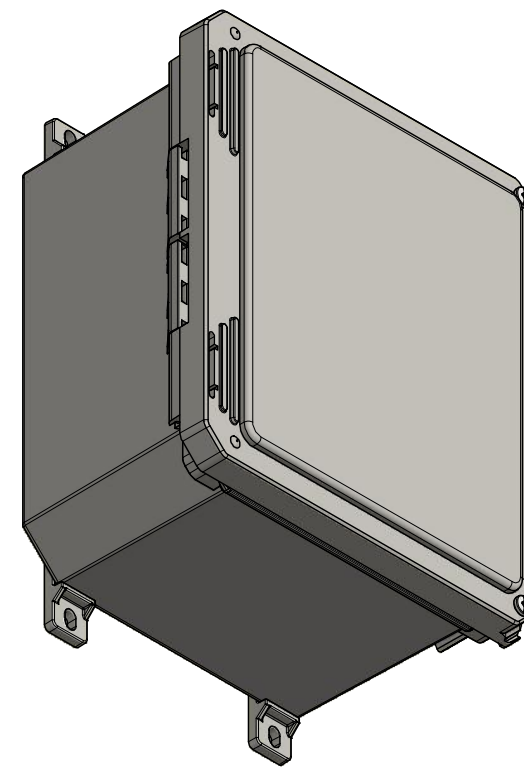
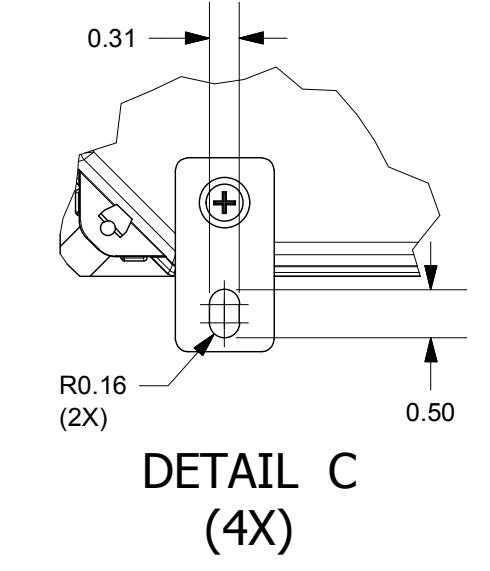
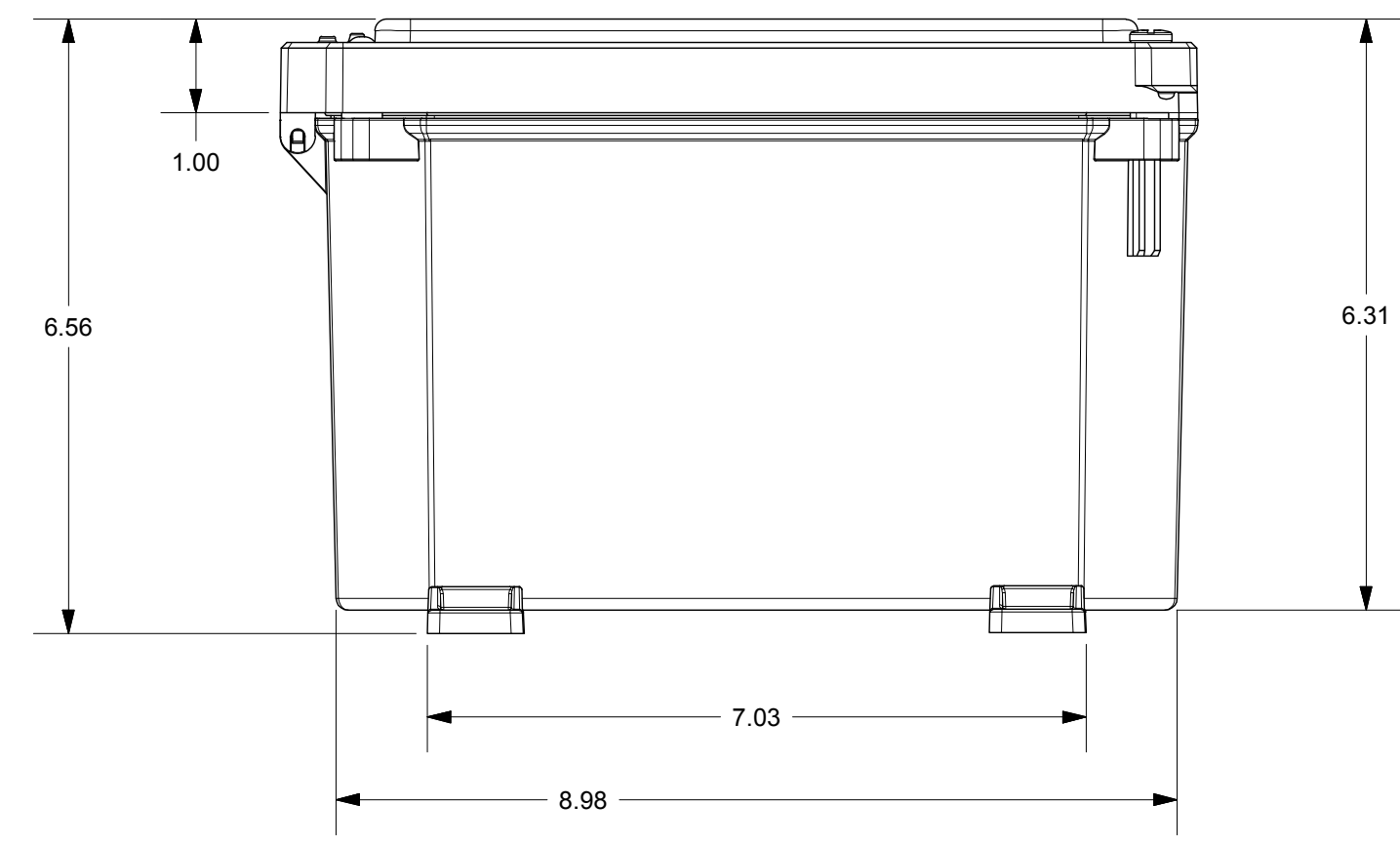
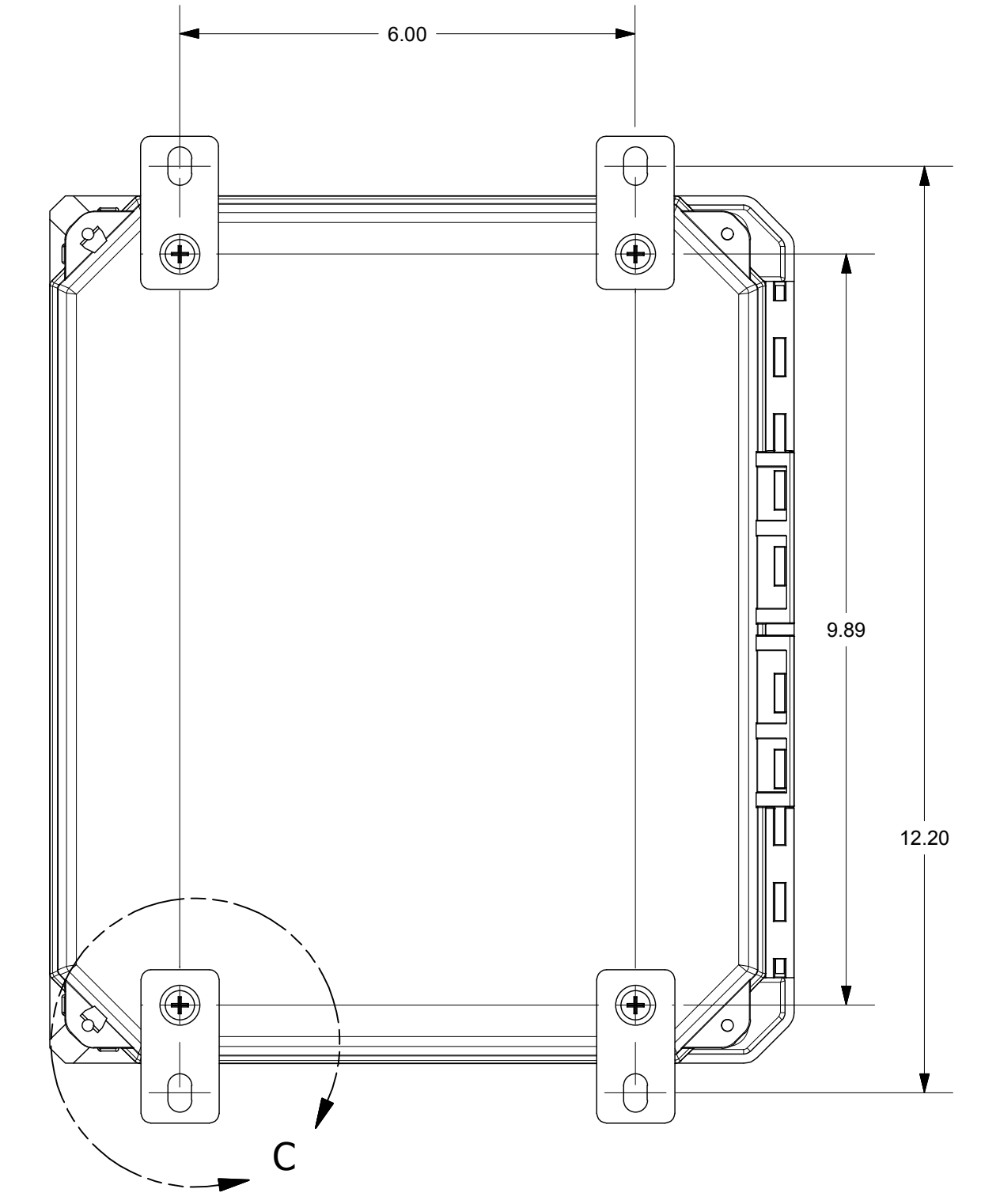
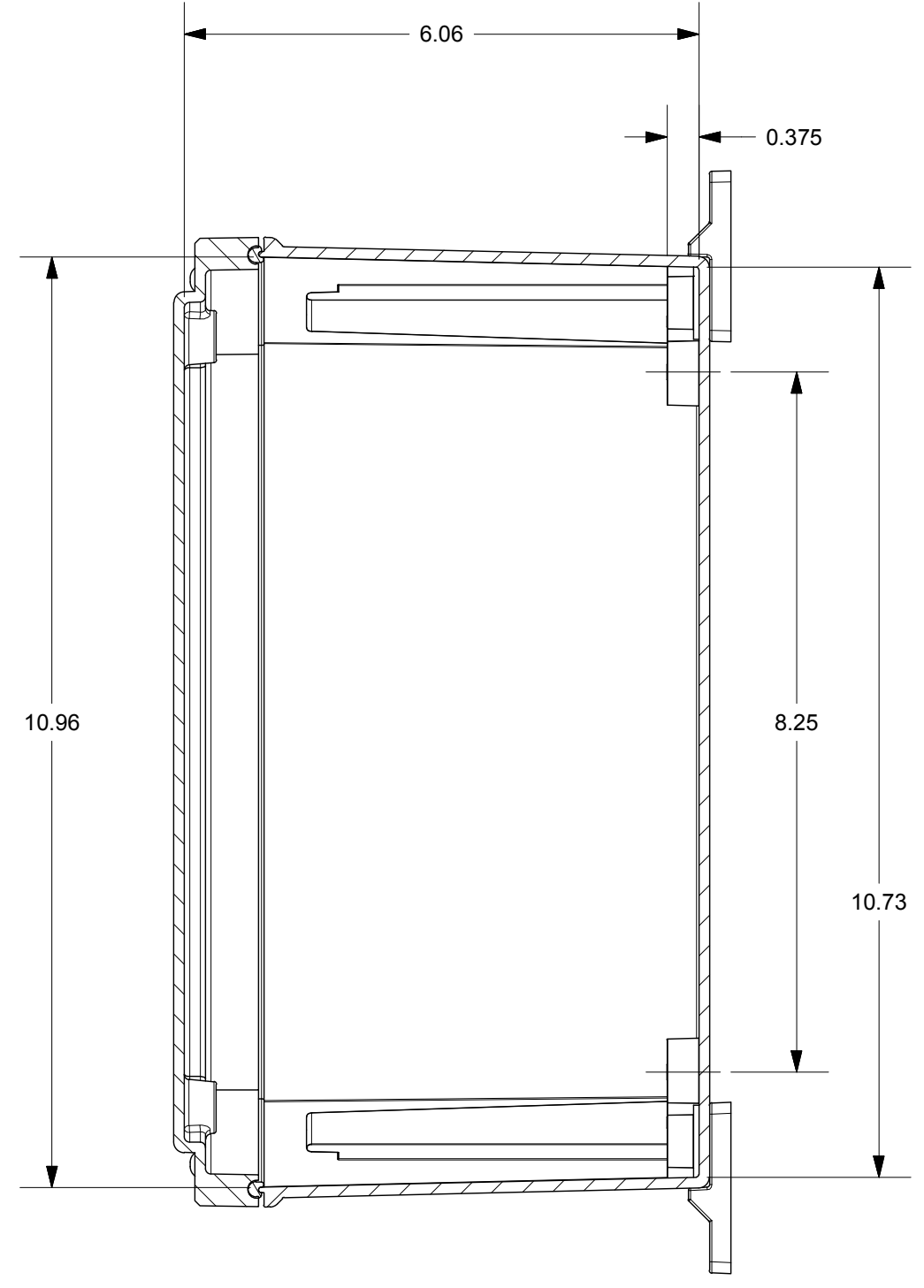
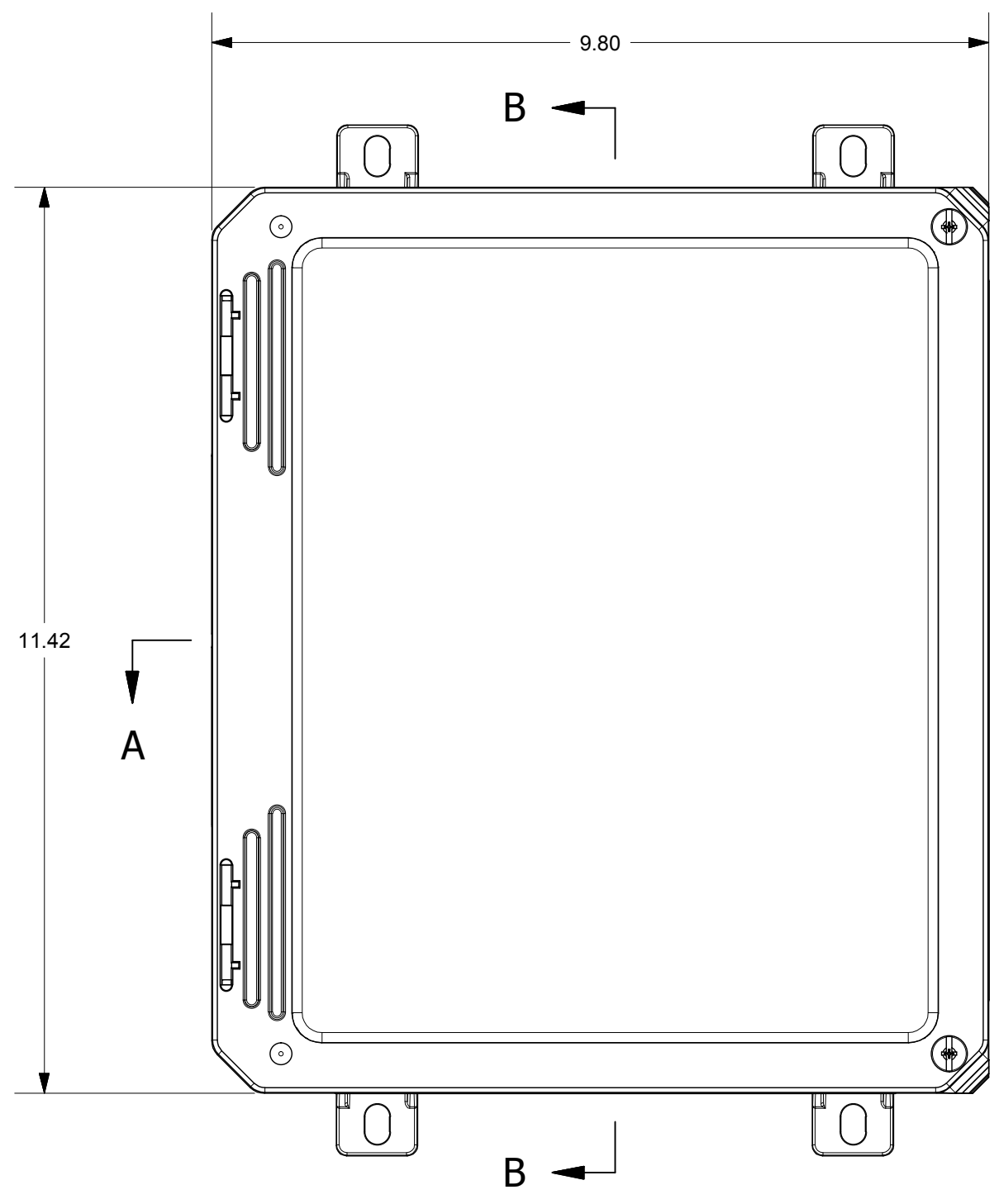
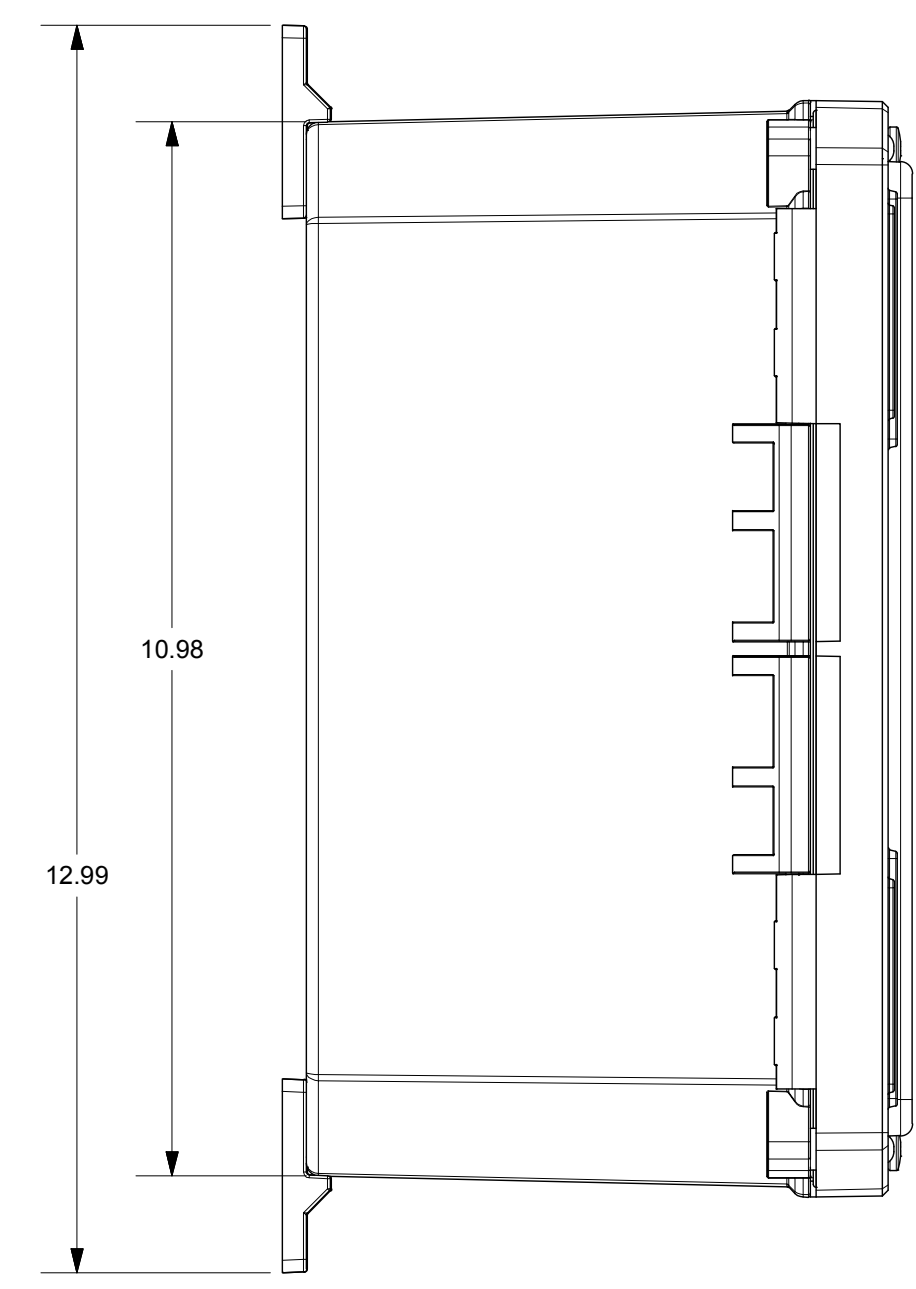


FOR REFERENCE ONLY
MOUNTING FEET SHOWN AS INSTALLED

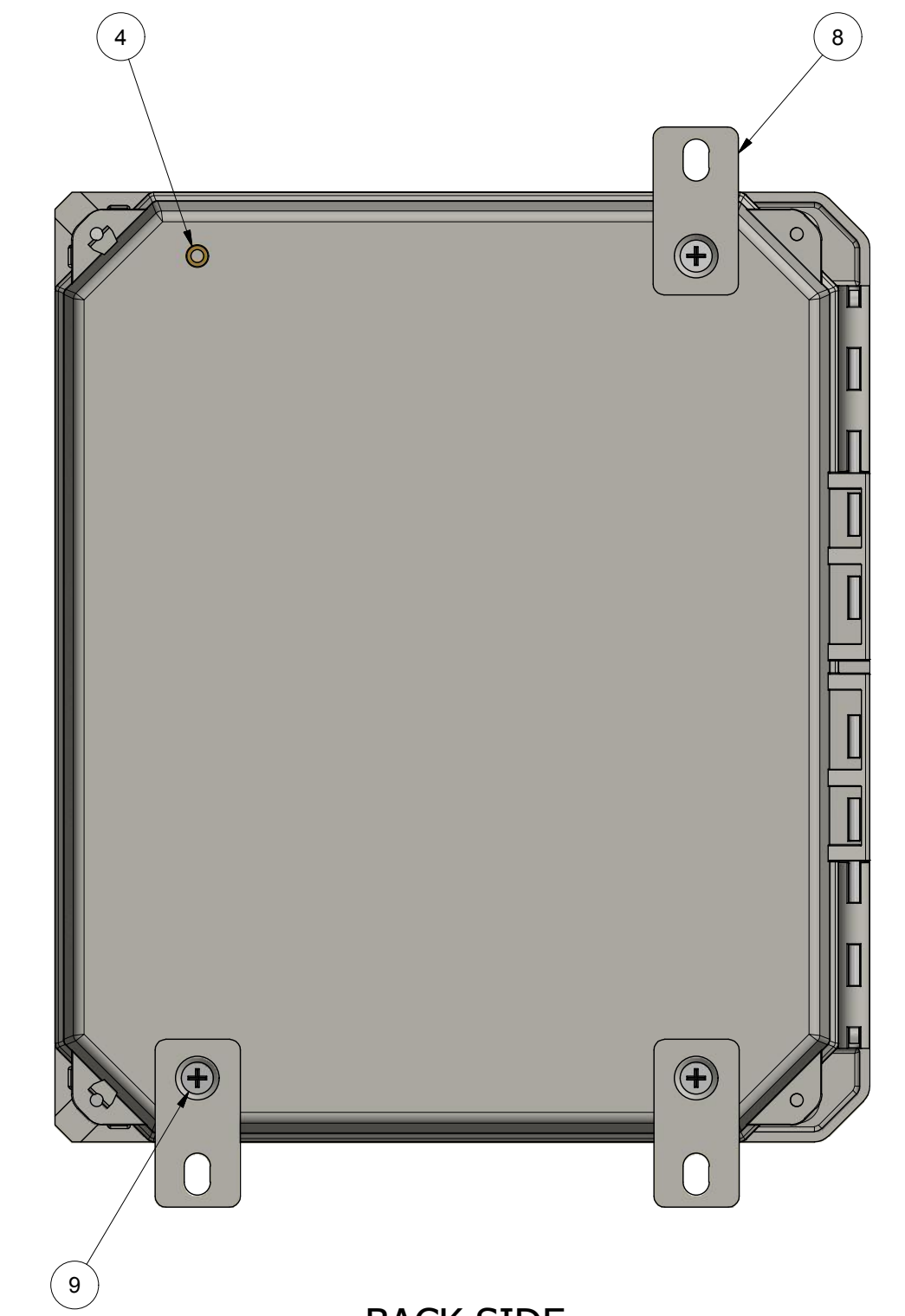
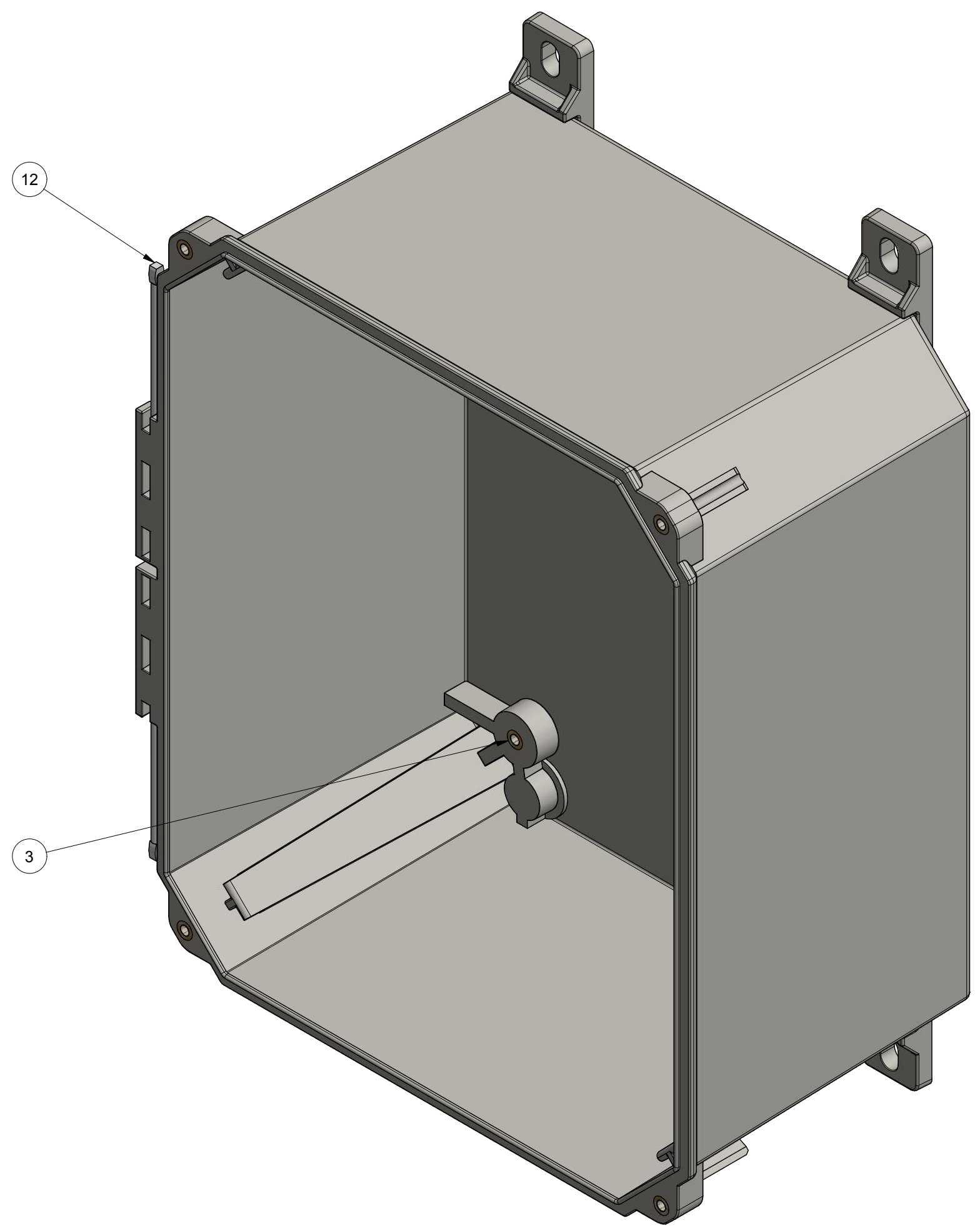
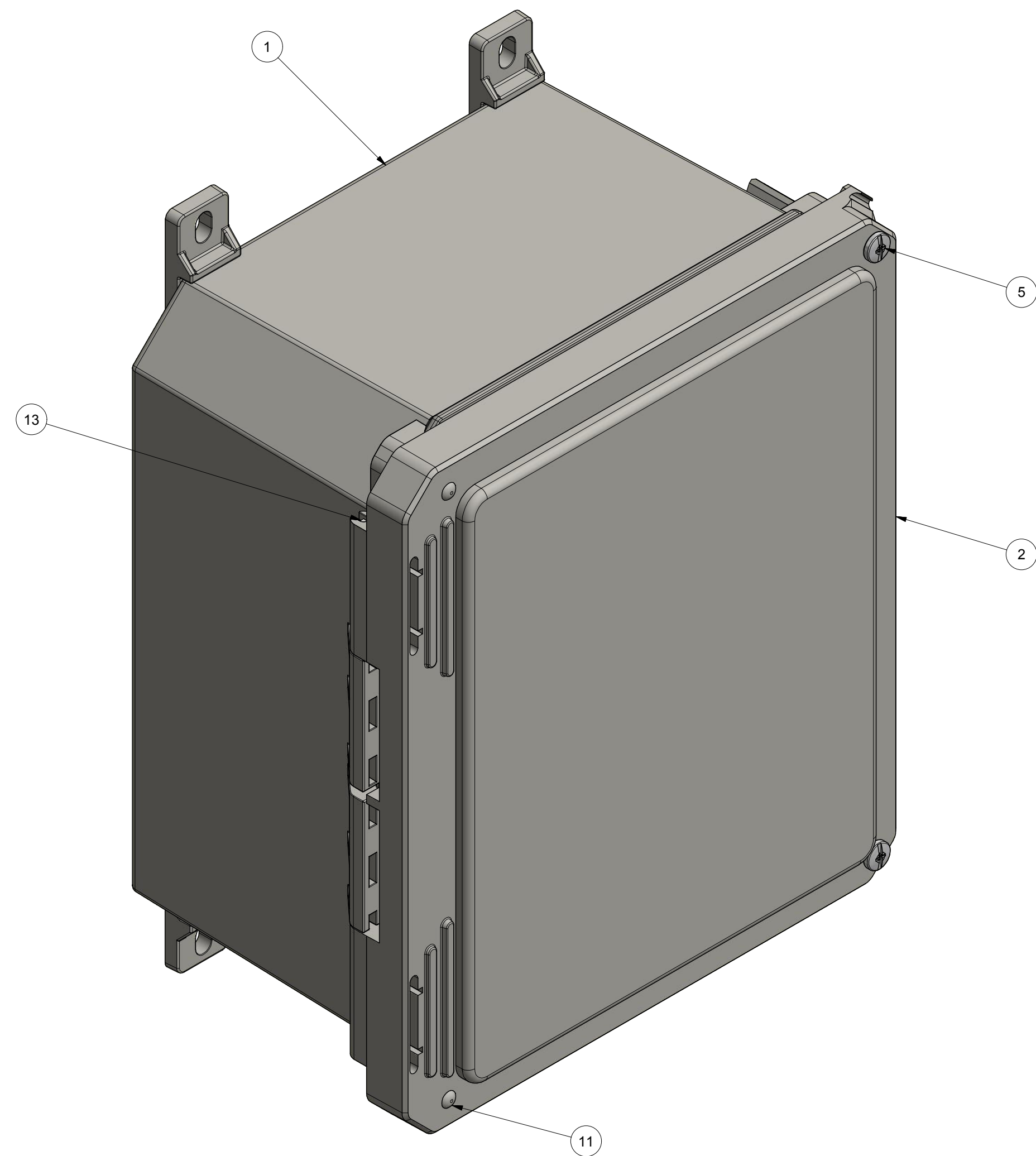


END USER NOTES:
1. TORQUE COVER SCREWS TO 20-24 IN.-LBS. TO MAINTAIN RATINGS

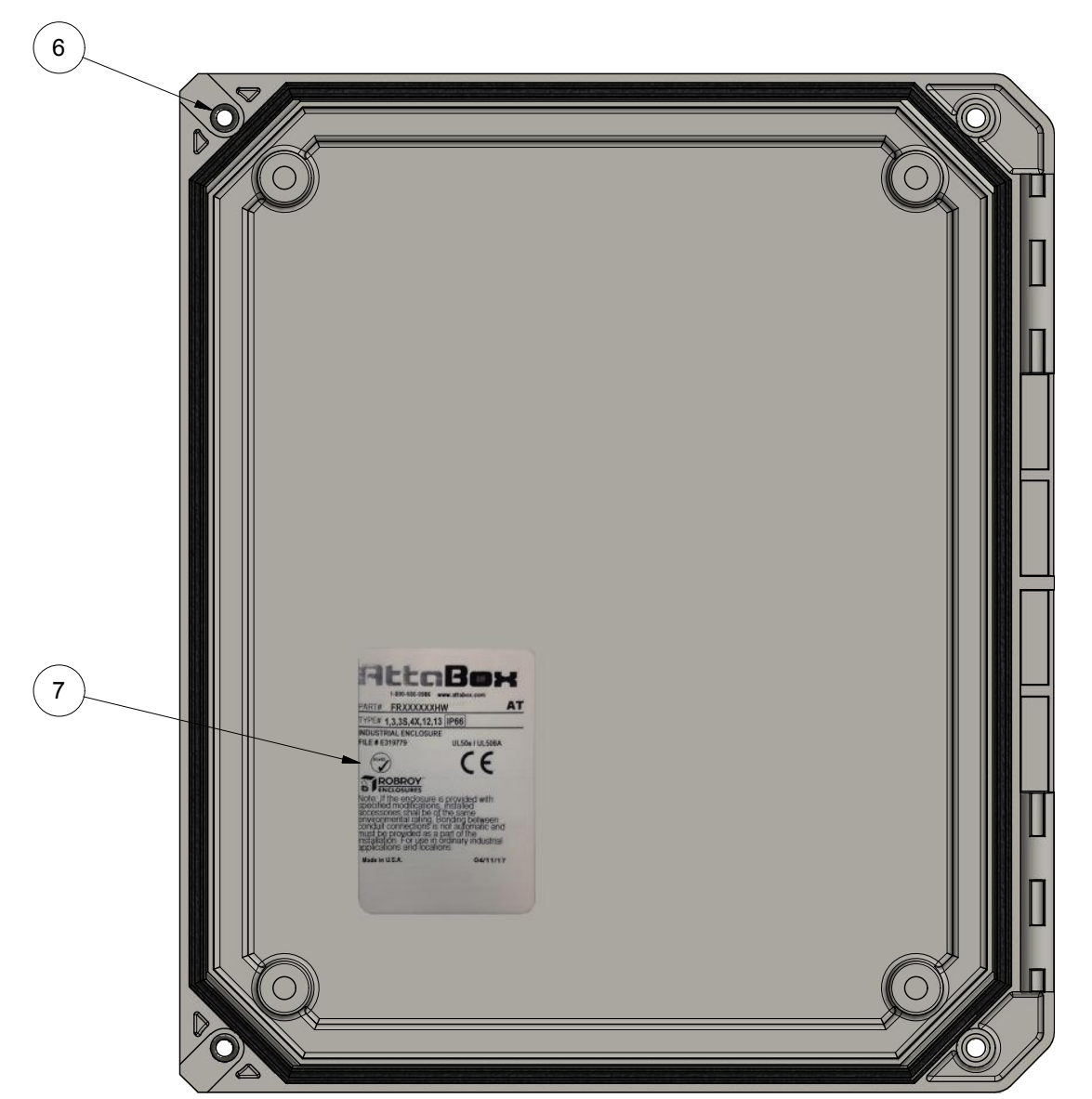
THIS DRAWING IS THE SOLE AND EXCLUSIVE PROPERTY OF ROBROY ENCLOSURES. NO PART OF THIS DRAWING MAY BE REPRODUCED, DISTRIBUTED, OR PUBLICALLY DISPLAYED IN ANY FORM OR BY ANY MEANS WITHOUT THE EXPRESS WRITTEN PERMISSION OF ROBROY ENCLOSURES. ALL RIGHTS RESERVED. UNDER THE COPYRIGHT LAWS. COPYRIGHT © 2017 ROBROY ENCLOSURES

- SPECIAL REQUIREMENTS**
- 1. MOUNTING FEET SHOWN AS INSTALLED - FOR REFERENCE ONLY
 - SOLD SEPARATELY
 - FREEDOM SERIES MOUNTING FOOT KIT (FEFRMGFTKIT)
 - INCLUDES: (4) #10-32 x 7/16 FLAT HEAD PHILLIPS HEAD SCREWS (RMSC10-32X7/16FHPH)
 - 2. (1) FREEDOM SERIES SCREW PACK (WSPFRBSP) SHALL BE PACKAGED LOOSELY INSIDE ENCLOSURE
 - HARDWARE INCLUDED:
 - (2) #10-32 x 1.1/4 PAN HEAD COMBINATION DRIVE SCREW (RMSC10-32X1-1/4COM)
 - (4) #10-32 x 3/8 PAN HEAD SCREW (RMSC10-32X3/8Z)
 - (4) #10 WASHER (RMWAS10Z)
 - (2) O-RING FOR COVER SCREW (RMASS68007)

NEMA 250: TYPE 1, 3, 3S, 4X, 12, 13 IEC 60529: IP66		STANDARD P/N: FR100806HW	ALL DIMENSIONS ARE IN INCHES UNLESS OTHERWISE SPECIFIED		TOLERANCES UNLESS SPECIFIED	.XX ± 0.03	.XXX ± 0.010																														
COLOR: GLACIER GREY (WPR3X13) COLOR STANDARD: PANTONE 428 C		CUSTOMER DWG:	MATERIAL: FIBERGLASS REINFORCED POLYESTER (FRP)																																		
<table border="1"> <thead> <tr> <th>REV</th> <th>DESCRIPTION</th> <th>DATE</th> <th>ENG</th> </tr> </thead> <tbody> <tr><td>-</td><td>-</td><td>-</td><td>-</td></tr> <tr><td>-</td><td>-</td><td>-</td><td>-</td></tr> <tr><td>-</td><td>-</td><td>-</td><td>-</td></tr> <tr><td>-</td><td>-</td><td>-</td><td>-</td></tr> <tr><td>-</td><td>-</td><td>-</td><td>-</td></tr> <tr><td>-</td><td>-</td><td>-</td><td>-</td></tr> </tbody> </table>		REV	DESCRIPTION	DATE				ENG	-	-	-	-	-	-	-	-	-	-	-	-	-	-	-	-	-	-	-	-	-	-	-	-	<table border="1"> <tr> <td>FR100806HW</td> <td>FR100806HW</td> </tr> </table>		FR100806HW	FR100806HW	<table border="1"> <tr> <td>FR100806HW</td> <td>FR100806HW</td> </tr> </table>
REV	DESCRIPTION	DATE	ENG																																		
-	-	-	-																																		
-	-	-	-																																		
-	-	-	-																																		
-	-	-	-																																		
-	-	-	-																																		
-	-	-	-																																		
FR100806HW	FR100806HW																																				
FR100806HW	FR100806HW																																				
<table border="1"> <tr> <th>REV</th> <th>DESCRIPTION</th> <th>DATE</th> <th>ENG</th> </tr> <tr><td>-</td><td>-</td><td>-</td><td>-</td></tr> <tr><td>-</td><td>-</td><td>-</td><td>-</td></tr> <tr><td>-</td><td>-</td><td>-</td><td>-</td></tr> <tr><td>-</td><td>-</td><td>-</td><td>-</td></tr> <tr><td>-</td><td>-</td><td>-</td><td>-</td></tr> <tr><td>-</td><td>-</td><td>-</td><td>-</td></tr> </table>		REV	DESCRIPTION	DATE	ENG	-	-	-	-	-	-	-	-	-	-	-	-	-	-	-	-	-	-	-	-	-	-	-	-	<table border="1"> <tr> <td>FR100806HW</td> <td>FR100806HW</td> </tr> </table>		FR100806HW	FR100806HW	<table border="1"> <tr> <td>FR100806HW</td> <td>FR100806HW</td> </tr> </table>		FR100806HW	FR100806HW
REV	DESCRIPTION	DATE	ENG																																		
-	-	-	-																																		
-	-	-	-																																		
-	-	-	-																																		
-	-	-	-																																		
-	-	-	-																																		
-	-	-	-																																		
FR100806HW	FR100806HW																																				
FR100806HW	FR100806HW																																				
<table border="1"> <tr> <th>REV</th> <th>DESCRIPTION</th> <th>DATE</th> <th>ENG</th> </tr> <tr><td>-</td><td>-</td><td>-</td><td>-</td></tr> <tr><td>-</td><td>-</td><td>-</td><td>-</td></tr> <tr><td>-</td><td>-</td><td>-</td><td>-</td></tr> <tr><td>-</td><td>-</td><td>-</td><td>-</td></tr> <tr><td>-</td><td>-</td><td>-</td><td>-</td></tr> <tr><td>-</td><td>-</td><td>-</td><td>-</td></tr> </table>		REV	DESCRIPTION	DATE	ENG	-	-	-	-	-	-	-	-	-	-	-	-	-	-	-	-	-	-	-	-	-	-	-	-	<table border="1"> <tr> <td>FR100806HW</td> <td>FR100806HW</td> </tr> </table>		FR100806HW	FR100806HW	<table border="1"> <tr> <td>FR100806HW</td> <td>FR100806HW</td> </tr> </table>		FR100806HW	FR100806HW
REV	DESCRIPTION	DATE	ENG																																		
-	-	-	-																																		
-	-	-	-																																		
-	-	-	-																																		
-	-	-	-																																		
-	-	-	-																																		
-	-	-	-																																		
FR100806HW	FR100806HW																																				
FR100806HW	FR100806HW																																				
<table border="1"> <tr> <th>REV</th> <th>DESCRIPTION</th> <th>DATE</th> <th>ENG</th> </tr> <tr><td>-</td><td>-</td><td>-</td><td>-</td></tr> <tr><td>-</td><td>-</td><td>-</td><td>-</td></tr> <tr><td>-</td><td>-</td><td>-</td><td>-</td></tr> <tr><td>-</td><td>-</td><td>-</td><td>-</td></tr> <tr><td>-</td><td>-</td><td>-</td><td>-</td></tr> <tr><td>-</td><td>-</td><td>-</td><td>-</td></tr> </table>		REV	DESCRIPTION	DATE	ENG	-	-	-	-	-	-	-	-	-	-	-	-	-	-	-	-	-	-	-	-	-	-	-	-	<table border="1"> <tr> <td>FR100806HW</td> <td>FR100806HW</td> </tr> </table>		FR100806HW	FR100806HW	<table border="1"> <tr> <td>FR100806HW</td> <td>FR100806HW</td> </tr> </table>		FR100806HW	FR100806HW
REV	DESCRIPTION	DATE	ENG																																		
-	-	-	-																																		
-	-	-	-																																		
-	-	-	-																																		
-	-	-	-																																		
-	-	-	-																																		
-	-	-	-																																		
FR100806HW	FR100806HW																																				
FR100806HW	FR100806HW																																				
<table border="1"> <tr> <th>REV</th> <th>DESCRIPTION</th> <th>DATE</th> <th>ENG</th> </tr> <tr><td>-</td><td>-</td><td>-</td><td>-</td></tr> <tr><td>-</td><td>-</td><td>-</td><td>-</td></tr> <tr><td>-</td><td>-</td><td>-</td><td>-</td></tr> <tr><td>-</td><td>-</td><td>-</td><td>-</td></tr> <tr><td>-</td><td>-</td><td>-</td><td>-</td></tr> <tr><td>-</td><td>-</td><td>-</td><td>-</td></tr> </table>		REV	DESCRIPTION	DATE	ENG	-	-	-	-	-	-	-	-	-	-	-	-	-	-	-	-	-	-	-	-	-	-	-	-	<table border="1"> <tr> <td>FR100806HW</td> <td>FR100806HW</td> </tr> </table>		FR100806HW	FR100806HW	<table border="1"> <tr> <td>FR100806HW</td> <td>FR100806HW</td> </tr> </table>		FR100806HW	FR100806HW
REV	DESCRIPTION	DATE	ENG																																		
-	-	-	-																																		
-	-	-	-																																		
-	-	-	-																																		
-	-	-	-																																		
-	-	-	-																																		
-	-	-	-																																		
FR100806HW	FR100806HW																																				
FR100806HW	FR100806HW																																				
<table border="1"> <tr> <th>REV</th> <th>DESCRIPTION</th> <th>DATE</th> <th>ENG</th> </tr> <tr><td>-</td><td>-</td><td>-</td><td>-</td></tr> <tr><td>-</td><td>-</td><td>-</td><td>-</td></tr> <tr><td>-</td><td>-</td><td>-</td><td>-</td></tr> <tr><td>-</td><td>-</td><td>-</td><td>-</td></tr> <tr><td>-</td><td>-</td><td>-</td><td>-</td></tr> <tr><td>-</td><td>-</td><td>-</td><td>-</td></tr> </table>		REV	DESCRIPTION	DATE	ENG	-	-	-	-	-	-	-	-	-	-	-	-	-	-	-	-	-	-	-	-	-	-	-	-	<table border="1"> <tr> <td>FR100806HW</td> <td>FR100806HW</td> </tr> </table>		FR100806HW	FR100806HW	<table border="1"> <tr> <td>FR100806HW</td> <td>FR100806HW</td> </tr> </table>		FR100806HW	FR100806HW
REV	DESCRIPTION	DATE	ENG																																		
-	-	-	-																																		
-	-	-	-																																		
-	-	-	-																																		
-	-	-	-																																		
-	-	-	-																																		
-	-	-	-																																		
FR100806HW	FR100806HW																																				
FR100806HW	FR100806HW																																				
<table border="1"> <tr> <th>REV</th> <th>DESCRIPTION</th> <th>DATE</th> <th>ENG</th> </tr> <tr><td>-</td><td>-</td><td>-</td><td>-</td></tr> <tr><td>-</td><td>-</td><td>-</td><td>-</td></tr> <tr><td>-</td><td>-</td><td>-</td><td>-</td></tr> <tr><td>-</td><td>-</td><td>-</td><td>-</td></tr> <tr><td>-</td><td>-</td><td>-</td><td>-</td></tr> <tr><td>-</td><td>-</td><td>-</td><td>-</td></tr> </table>		REV	DESCRIPTION	DATE	ENG	-	-	-	-	-	-	-	-	-	-	-	-	-	-	-	-	-	-	-	-	-	-	-	-	<table border="1"> <tr> <td>FR100806HW</td> <td>FR100806HW</td> </tr> </table>		FR100806HW	FR100806HW	<table border="1"> <tr> <td>FR100806HW</td> <td>FR100806HW</td> </tr> </table>		FR100806HW	FR100806HW
REV	DESCRIPTION	DATE	ENG																																		
-	-	-	-																																		
-	-	-	-																																		
-	-	-	-																																		
-	-	-	-																																		
-	-	-	-																																		
-	-	-	-																																		
FR100806HW	FR100806HW																																				
FR100806HW	FR100806HW																																				
<table border="1"> <tr> <th>REV</th> <th>DESCRIPTION</th> <th>DATE</th> <th>ENG</th> </tr> <tr><td>-</td><td>-</td><td>-</td><td>-</td></tr> <tr><td>-</td><td>-</td><td>-</td><td>-</td></tr> <tr><td>-</td><td>-</td><td>-</td><td>-</td></tr> <tr><td>-</td><td>-</td><td>-</td><td>-</td></tr> <tr><td>-</td><td>-</td><td>-</td><td>-</td></tr> <tr><td>-</td><td>-</td><td>-</td><td>-</td></tr> </table>		REV	DESCRIPTION	DATE	ENG	-	-	-	-	-	-	-	-	-	-	-	-	-	-	-	-	-	-	-	-	-	-	-	-	<table border="1"> <tr> <td>FR100806HW</td> <td>FR100806HW</td> </tr> </table>		FR100806HW	FR100806HW	<table border="1"> <tr> <td>FR100806HW</td> <td>FR100806HW</td> </tr> </table>		FR100806HW	FR100806HW
REV	DESCRIPTION	DATE	ENG																																		
-	-	-	-																																		
-	-	-	-																																		
-	-	-	-																																		
-	-	-	-																																		
-	-	-	-																																		
-	-	-	-																																		
FR100806HW	FR100806HW																																				
FR100806HW	FR100806HW																																				
<table border="1"> <tr> <th>REV</th> <th>DESCRIPTION</th> <th>DATE</th> <th>ENG</th> </tr> <tr><td>-</td><td>-</td><td>-</td><td>-</td></tr> <tr><td>-</td><td>-</td><td>-</td><td>-</td></tr> <tr><td>-</td><td>-</td><td>-</td><td>-</td></tr> <tr><td>-</td><td>-</td><td>-</td><td>-</td></tr> <tr><td>-</td><td>-</td><td>-</td><td>-</td></tr> <tr><td>-</td><td>-</td><td>-</td><td>-</td></tr> </table>		REV	DESCRIPTION	DATE	ENG	-	-	-	-	-	-	-	-	-	-	-	-	-	-	-	-	-	-	-	-	-	-	-	-	<table border="1"> <tr> <td>FR100806HW</td> <td>FR100806HW</td> </tr> </table>		FR100806HW	FR100806HW	<table border="1"> <tr> <td>FR100806HW</td> <td>FR100806HW</td> </tr> </table>		FR100806HW	FR100806HW
REV	DESCRIPTION	DATE	ENG																																		
-	-	-	-																																		
-	-	-	-																																		
-	-	-	-																																		
-	-	-	-																																		
-	-	-	-																																		
-	-	-	-																																		
FR100806HW	FR100806HW																																				
FR100806HW	FR100806HW																																				
<table border="1"> <tr> <th>REV</th> <th>DESCRIPTION</th> <th>DATE</th> <th>ENG</th> </tr> <tr><td>-</td><td>-</td><td>-</td><td>-</td></tr> <tr><td>-</td><td>-</td><td>-</td><td>-</td></tr> <tr><td>-</td><td>-</td><td>-</td><td>-</td></tr> <tr><td>-</td><td>-</td><td>-</td><td>-</td></tr> <tr><td>-</td><td>-</td><td>-</td><td>-</td></tr> <tr><td>-</td><td>-</td><td>-</td><td>-</td></tr> </table>		REV	DESCRIPTION	DATE	ENG	-	-	-	-	-	-	-	-	-	-	-	-	-	-	-	-	-	-	-	-	-	-	-	-	<table border="1"> <tr> <td>FR100806HW</td> <td>FR100806HW</td> </tr> </table>		FR100806HW	FR100806HW	<table border="1"> <tr> <td>FR100806HW</td> <td>FR100806HW</td> </tr> </table>		FR100806HW	FR100806HW
REV	DESCRIPTION	DATE	ENG																																		
-	-	-	-																																		
-	-	-	-																																		
-	-	-	-																																		
-	-	-	-																																		
-	-	-	-																																		
-	-	-	-																																		
FR100806HW	FR100806HW																																				
FR100806HW	FR100806HW																																				
<table border="1"> <tr> <th>REV</th> <th>DESCRIPTION</th> <th>DATE</th> <th>ENG</th> </tr> <tr><td>-</td><td>-</td><td>-</td><td>-</td></tr> <tr><td>-</td><td>-</td><td>-</td><td>-</td></tr> <tr><td>-</td><td>-</td><td>-</td><td>-</td></tr> <tr><td>-</td><td>-</td><td>-</td><td>-</td></tr> <tr><td>-</td><td>-</td><td>-</td><td>-</td></tr> <tr><td>-</td><td>-</td><td>-</td><td>-</td></tr> </table>		REV	DESCRIPTION	DATE	ENG	-	-	-	-	-	-	-	-	-	-	-	-	-	-	-	-	-	-	-	-	-	-	-	-	<table border="1"> <tr> <td>FR100806HW</td> <td>FR100806HW</td> </tr> </table>		FR100806HW	FR100806HW	<table border="1"> <tr> <td>FR100806HW</td> <td>FR100806HW</td> </tr> </table>		FR100806HW	FR100806HW
REV	DESCRIPTION	DATE	ENG																																		
-	-	-	-																																		
-	-	-	-																																		
-	-	-	-																																		
-	-	-	-																																		
-	-	-	-																																		
-	-	-	-																																		
FR100806HW	FR100806HW																																				
FR100806HW	FR100806HW																																				
<table border="1"> <tr> <th>REV</th> <th>DESCRIPTION</th> <th>DATE</th> <th>ENG</th> </tr> <tr><td>-</td><td>-</td><td>-</td><td>-</td></tr> <tr><td>-</td><td>-</td><td>-</td><td>-</td></tr> <tr><td>-</td><td>-</td><td>-</td><td>-</td></tr> <tr><td>-</td><td>-</td><td>-</td><td>-</td></tr> <tr><td>-</td><td>-</td><td>-</td><td>-</td></tr> <tr><td>-</td><td>-</td><td>-</td><td>-</td></tr> </table>		REV	DESCRIPTION	DATE	ENG	-	-	-	-	-	-	-	-	-	-	-	-	-	-	-	-	-	-	-	-	-	-	-	-	<table border="1"> <tr> <td>FR100806HW</td> <td>FR100806HW</td> </tr> </table>		FR100806HW	FR100806HW	<table border="1"> <tr> <td>FR100806HW</td> <td>FR100806HW</td> </tr> </table>		FR100806HW	FR100806HW
REV	DESCRIPTION	DATE	ENG																																		
-	-	-	-																																		
-	-	-	-																																		
-	-	-	-																																		
-	-	-	-																																		
-	-	-	-																																		
-	-	-	-																																		
FR100806HW	FR100806HW																																				
FR100806HW	FR100806HW																																				
<table border="1"> <tr> <th>REV</th> <th>DESCRIPTION</th> <th>DATE</th> <th>ENG</th> </tr> <tr><td>-</td><td>-</td><td>-</td><td>-</td></tr> <tr><td>-</td><td>-</td><td>-</td><td>-</td></tr> <tr><td>-</td><td>-</td><td>-</td><td>-</td></tr> <tr><td>-</td><td>-</td><td>-</td><td>-</td></tr> <tr><td>-</td><td>-</td><td>-</td><td>-</td></tr> <tr><td>-</td><td>-</td><td>-</td><td>-</td></tr> </table>		REV	DESCRIPTION	DATE	ENG	-	-	-	-	-	-	-	-	-	-	-	-	-	-	-	-	-	-	-	-	-	-	-	-	<table border="1"> <tr> <td>FR100806HW</td> <td>FR100806HW</td> </tr> </table>		FR100806HW	FR100806HW	<table border="1"> <tr> <td>FR100806HW</td> <td>FR100806HW</td> </tr> </table>		FR100806HW	FR100806HW
REV	DESCRIPTION	DATE	ENG																																		
-	-	-	-																																		
-	-	-	-																																		
-	-	-	-																																		
-	-	-	-																																		
-	-	-	-																																		
-	-	-	-																																		
FR100806HW	FR100806HW																																				
FR100806HW	FR100806HW																																				
<table border="1"> <tr> <th>REV</th> <th>DESCRIPTION</th> <th>DATE</th> <th>ENG</th> </tr> <tr><td>-</td><td>-</td><td>-</td><td>-</td></tr> <tr><td>-</td><td>-</td><td>-</td><td>-</td></tr> <tr><td>-</td><td>-</td><td>-</td><td>-</td></tr> <tr><td>-</td><td>-</td><td>-</td><td>-</td></tr> <tr><td>-</td><td>-</td><td>-</td><td>-</td></tr> <tr><td>-</td><td>-</td><td>-</td><td>-</td></tr> </table>		REV	DESCRIPTION	DATE	ENG	-	-	-	-	-	-	-	-	-	-	-	-	-	-	-	-	-	-	-	-	-	-	-	-	<table border="1"> <tr> <td>FR100806HW</td> <td>FR100806HW</td> </tr> </table>		FR100806HW	FR100806HW	<table border="1"> <tr> <td>FR100806HW</td> <td>FR100806HW</td> </tr> </table>		FR100806HW	FR100806HW
REV	DESCRIPTION	DATE	ENG																																		
-	-	-	-																																		
-	-	-	-																																		
-	-	-	-																																		
-	-	-	-																																		
-	-	-	-																																		
-	-	-	-																																		
FR100806HW	FR100806HW																																				
FR100806HW	FR100806HW																																				
<table border="1"> <tr> <th>REV</th> <th>DESCRIPTION</th> <th>DATE</th> <th>ENG</th> </tr> <tr><td>-</td><td>-</td><td>-</td><td>-</td></tr> <tr><td>-</td><td>-</td><td>-</td><td>-</td></tr> <tr><td>-</td><td>-</td><td>-</td><td>-</td></tr> <tr><td>-</td><td>-</td><td>-</td><td>-</td></tr> <tr><td>-</td><td>-</td><td>-</td><td>-</td></tr> <tr><td>-</td><td>-</td><td>-</td><td>-</td></tr> </table>		REV	DESCRIPTION	DATE	ENG	-	-	-	-	-	-	-	-	-	-	-	-	-	-	-	-	-	-	-	-	-	-	-	-	<table border="1"> <tr> <td>FR100806HW</td> <td>FR100806HW</td> </tr> </table>		FR100806HW	FR100806HW	<table border="1"> <tr> <td>FR100806HW</td> <td>FR100806HW</td> </tr> </table>		FR100806HW	FR100806HW
REV	DESCRIPTION	DATE	ENG																																		
-	-	-	-																																		
-	-	-	-																																		
-	-	-	-																																		
-	-	-	-																																		
-	-	-	-																																		
-	-	-	-																																		
FR100806HW	FR100806HW																																				
FR100806HW	FR100806HW																																				
<table border="1"> <tr> <th>REV</th> <th>DESCRIPTION</th> <th>DATE</th> <th>ENG</th> </tr> <tr><td>-</td><td>-</td><td>-</td><td>-</td></tr> <tr><td>-</td><td>-</td><td>-</td><td>-</td></tr> <tr><td>-</td><td>-</td><td>-</td><td>-</td></tr> <tr><td>-</td><td>-</td><td>-</td><td>-</td></tr> <tr><td>-</td><td>-</td><td>-</td><td>-</td></tr> <tr><td>-</td><td>-</td><td>-</td><td>-</td></tr> </table>		REV	DESCRIPTION	DATE	ENG	-	-	-	-	-	-	-	-	-	-	-	-	-	-	-	-	-	-	-	-	-	-	-	-	<table border="1"> <tr> <td>FR100806HW</td> <td>FR100806HW</td> </tr> </table>		FR100806HW	FR100806HW	<table border="1"> <tr> <td>FR100806HW</td> <td>FR100806HW</td> </tr> </table>		FR100806HW	FR100806HW
REV	DESCRIPTION	DATE	ENG																																		
-	-	-	-																																		
-	-	-	-																																		
-	-	-	-																																		
-	-	-	-																																		
-	-	-	-																																		
-	-	-	-																																		
FR100806HW	FR100806HW																																				
FR100806HW	FR100806HW																																				
<table border="1"> <tr> <th>REV</th> <th>DESCRIPTION</th> <th>DATE</th> <th>ENG</th> </tr> <tr><td>-</td><td>-</td><td>-</td><td>-</td></tr> <tr><td>-</td><td>-</td><td>-</td><td>-</td></tr> <tr><td>-</td><td>-</td><td>-</td><td>-</td></tr> <tr><td>-</td><td>-</td><td>-</td><td>-</td></tr> <tr><td>-</td><td>-</td><td>-</td><td>-</td></tr> <tr><td>-</td><td>-</td><td>-</td><td>-</td></tr> </table>		REV	DESCRIPTION	DATE	ENG	-	-	-	-	-	-	-	-	-	-	-	-	-	-	-	-	-	-	-	-	-	-	-	-	<table border="1"> <tr> <td>FR100806HW</td> <td>FR100806HW</td> </tr> </table>		FR100806HW	FR100806HW	<table border="1"> <tr> <td>FR100806HW</td> <td>FR100806HW</td> </tr> </table>		FR100806HW	FR100806HW
REV	DESCRIPTION	DATE	ENG																																		
-	-	-	-																																		
-	-	-	-																																		
-	-	-	-																																		
-	-	-	-																																		
-	-	-	-																																		
-	-	-	-																																		
FR100806HW	FR100806HW																																				
FR100806HW	FR100806HW																																				
<table border="1"> <tr> <th>REV</th> <th>DESCRIPTION</th> <th>DATE</th> <th>ENG</th> </tr> <tr><td>-</td><td>-</td><td>-</td><td>-</td></tr> <tr><td>-</td><td>-</td><td>-</td><td>-</td></tr> <tr><td>-</td><td>-</td><td>-</td><td>-</td></tr> <tr><td>-</td><td>-</td><td>-</td><td>-</td></tr> <tr><td>-</td><td>-</td><td>-</td><td>-</td></tr> <tr><td>-</td><td>-</td><td>-</td><td>-</td></tr> </table>		REV	DESCRIPTION	DATE	ENG	-	-	-	-	-	-	-	-	-	-	-	-	-	-	-	-	-	-	-	-	-	-	-	-	<table border="1"> <tr> <td>FR100806HW</td> <td>FR100806HW</td> </tr> </table>		FR100806HW	FR100806HW	<table border="1"> <tr> <td>FR100806HW</td> <td>FR100806HW</td> </tr> </table>		FR100806HW	FR100806HW
REV	DESCRIPTION	DATE	ENG																																		
-	-	-	-																																		
-	-	-	-																																		
-	-	-	-																																		
-	-	-	-																																		
-	-	-	-																																		
-	-	-	-																																		
FR100806HW	FR100806HW																																				
FR100806HW	FR100806HW																																				
<table border="1"> <tr> <th>REV</th> <th>DESCRIPTION</th> <th>DATE</th> <th>ENG</th> </tr> <tr><td>-</td><td>-</td><td>-</td><td>-</td></tr> <tr><td>-</td><td>-</td><td>-</td><td>-</td></tr> <tr><td>-</td><td>-</td><td>-</td><td>-</td></tr> <tr><td>-</td><td>-</td><td>-</td><td>-</td></tr> <tr><td>-</td><td>-</td><td>-</td><td>-</td></tr> <tr><td>-</td><td>-</td><td>-</td><td>-</td></tr> </table>		REV	DESCRIPTION	DATE	ENG	-	-	-	-	-	-	-	-	-	-	-	-	-	-	-	-	-	-	-	-	-	-	-	-	<table border="1"> <tr> <td>FR100806HW</td> <td>FR100806HW</td> </tr> </table>		FR100806HW	FR100806HW	<table border="1"> <tr> <td>FR100806HW</td> <td>FR100806HW</td> </tr> </table>		FR100806HW	FR100806HW
REV	DESCRIPTION	DATE	ENG																																		
-	-	-	-																																		
-	-	-	-																																		
-	-	-	-																																		
-	-	-	-																																		
-	-	-	-																																		
-	-	-	-																																		
FR100806HW	FR100806HW																																				
FR100806HW	FR100806HW																																				
<table border="1"> <tr> <th>REV</th> <th>DESCRIPTION</th> <th>DATE</th> <th>ENG</th> </tr> <tr><td>-</td><td>-</td><td>-</td><td>-</td></tr> <tr><td>-</td><td>-</td><td>-</td><td>-</td></tr> <tr><td>-</td><td>-</td><td>-</td><td>-</td></tr> <tr><td>-</td><td>-</td><td>-</td><td>-</td></tr> <tr><td>-</td><td>-</td><td>-</td><td>-</td></tr> <tr><td>-</td><td>-</td><td>-</td><td>-</td></tr> </table>		REV	DESCRIPTION	DATE	ENG	-	-	-	-	-	-	-	-	-	-	-	-	-	-	-	-	-	-	-	-	-	-	-	-	<table border="1"> <tr> <td>FR100806HW</td> <td>FR100806HW</td> </tr> </table>		FR100806HW	FR100806HW	<table border="1"> <tr> <td>FR100806HW</td> <td>FR100806HW</td> </tr> </table>		FR100806HW	FR100806HW
REV	DESCRIPTION	DATE	ENG																																		
-	-	-	-																																		
-	-	-	-																																		
-	-	-	-																																		
-	-	-	-																																		
-	-	-	-																																		
-	-	-	-																																		
FR100806HW	FR100806HW																																				
FR100806HW	FR100806HW																																				
<table border="1"> <tr> <th>REV</th> <th>DESCRIPTION</th> <th>DATE</th> <th>ENG</th> </tr> <tr><td>-</td><td>-</td><td>-</td><td>-</td></tr> <tr><td>-</td><td>-</td><td>-</td><td>-</td></tr> <tr><td>-</td><td>-</td><td>-</td><td>-</td></tr> <tr><td>-</td><td>-</td><td>-</td><td>-</td></tr> <tr><td>-</td><td>-</td><td>-</td><td>-</td></tr> <tr><td>-</td><td>-</td><td>-</td><td>-</td></tr> </table>		REV	DESCRIPTION	DATE	ENG	-	-	-	-	-	-	-	-	-	-	-	-	-	-	-	-	-	-	-	-	-	-	-	-	<table border="1"> <tr> <td>FR100806HW</td> <td>FR100806HW</td> </tr> </table>		FR100806HW	FR100806HW	<table border="1"> <tr> <td>FR100806HW</td> <td>FR100806HW</td> </tr> </table>		FR100806HW	FR100806HW
REV	DESCRIPTION	DATE	ENG																																		
-	-	-	-																																		
-	-	-	-																																		
-	-	-	-																																		
-	-	-	-																																		
-	-	-	-																																		
-	-	-	-																																		
FR100806HW	FR100806HW																																				
FR100806HW	FR100806HW																																				
<table border="1"> <tr> <th>REV</th> <th>DESCRIPTION</th> <th>DATE</th> <th>ENG</th> </tr> <tr><td>-</td><td>-</td><td>-</td><td>-</td></tr> <tr><td>-</td><td>-</td><td>-</td><td>-</td></tr> <tr><td>-</td><td>-</td><td>-</td><td>-</td></tr> <tr><td>-</td><td>-</td><td>-</td><td>-</td></tr> <tr><td>-</td><td>-</td><td>-</td><td>-</td></tr> <tr><td>-</td><td>-</td><td>-</td><td>-</td></tr> </table>		REV	DESCRIPTION	DATE	ENG	-	-	-	-	-	-	-	-	-	-	-	-	-	-	-	-	-	-	-	-	-	-	-	-	<table border="1"> <tr> <td>FR100806HW</td> <td>FR100806HW</td> </tr> </table>		FR100806HW	FR100806HW	<table border="1"> <tr> <td>FR100806HW</td> <td>FR100806HW</td> </tr> </table>		FR100806HW	FR100806HW
REV	DESCRIPTION	DATE	ENG																																		
-	-	-	-																																		
-	-	-	-																																		
-	-	-	-																																		
-	-	-	-																																		
-	-	-	-																																		
-	-	-	-																																		
FR100806HW	FR100806HW																																				
FR100806HW	FR100806HW																																				
<table border="1"> <tr> <th>REV</th> <th>DESCRIPTION</th> <th>DATE</th> <th>ENG</th> </tr> <tr><td>-</td><td>-</td><td>-</td><td>-</td></tr> <tr><td>-</td><td>-</td><td>-</td><td>-</td></tr> <tr><td>-</td><td>-</td><td>-</td><td>-</td></tr> <tr><td>-</td><td>-</td><td>-</td><td>-</td></tr> <tr><td>-</td><td>-</td><td>-</td><td>-</td></tr> <tr><td>-</td><td>-</td><td>-</td><td>-</td></tr> </table>		REV	DESCRIPTION	DATE	ENG	-	-	-	-	-	-	-	-	-	-	-	-	-	-	-	-	-	-	-	-	-	-	-	-	<table border="1"> <tr> <td>FR100806HW</td> <td>FR100806HW</td> </tr> </table>		FR100806HW	FR100806HW	<table border="1"> <tr> <td>FR100806HW</td> <td>FR100806HW</td> </tr> </table>		FR100806HW	FR100806HW
REV	DESCRIPTION	DATE	ENG																																		
-	-	-	-																																		
-	-	-	-																																		
-	-	-	-																																		
-	-	-	-																																		
-	-	-	-																																		
-	-	-	-																																		
FR100806HW	FR100806HW																																				
FR100806HW	FR100806HW																																				
<table border="1"> <tr> <th>REV</th> <th>DESCRIPTION</th> <th>DATE</th> <th>ENG</th> </tr> <tr><td>-</td><td>-</td><td>-</td><td>-</td></tr> <tr><td>-</td><td>-</td><td>-</td><td>-</td></tr> <tr><td>-</td><td>-</td><td>-</td><td>-</td></tr> <tr><td>-</td><td>-</td><td>-</td><td>-</td></tr> <tr><td>-</td><td>-</td><td>-</td><td>-</td></tr> <tr><td>-</td><td>-</td><td>-</td><td>-</td></tr> </table>		REV	DESCRIPTION	DATE	ENG	-	-	-	-	-	-	-	-	-	-	-	-	-	-	-	-	-	-	-	-	-	-	-	-	<table border="1"> <tr> <td>FR100806HW</td> <td>FR100806HW</td> </tr> </table>		FR100806HW	FR100806HW	<table border="1"> <tr> <td>FR100806HW</td> <td>FR100806HW</td> </tr> </table>		FR100806HW	FR100806HW
REV	DESCRIPTION	DATE	ENG																																		
-	-	-	-																																		
-	-	-	-																																		
-	-	-	-																																		
-	-	-	-																																		
-	-	-	-																																		
-	-	-	-																																		
FR100806HW	FR100806HW																																				
FR100806HW	FR100806HW																																				
<table border="1"> <tr> <th>REV</th> <th>DESCRIPTION</th> <th>DATE</th> <th>ENG</th> </tr> <tr><td>-</td><td>-</td><td>-</td><td>-</td></tr> <tr><td>-</td><td>-</td><td>-</td><td>-</td></tr> <tr><td>-</td><td>-</td><td>-</td><td>-</td></tr> <tr><td>-</td><td>-</td><td>-</td><td>-</td></tr> <tr><td>-</td><td>-</td><td>-</td><td>-</td></tr> <tr><td>-</td><td>-</td><td>-</td><td>-</td></tr> </table>		REV	DESCRIPTION	DATE	ENG	-	-	-	-	-	-	-	-	-	-	-	-	-	-	-	-	-	-	-	-	-	-	-	-	<table border="1"> <tr> <td>FR100806HW</td> <td>FR100806HW</td> </tr> </table>		FR100806HW	FR100806HW	<table border="1"> <tr> <td>FR100806HW</td> <td>FR100806HW</td> </tr> </table>		FR100806HW	FR100806HW
REV	DESCRIPTION	DATE	ENG																																		
-	-	-	-																																		
-	-	-	-																																		
-	-	-	-																																		
-	-	-	-																																		
-	-	-	-																																		
-	-	-	-																																		
FR100806HW	FR100806HW																																				
FR100806HW	FR100806HW																																				
<table border="1"> <tr> <th>REV</th> <th>DESCRIPTION</th> <th>DATE</th> <th>ENG</th> </tr> <tr><td>-</td><td>-</td><td>-</td><td>-</td></tr> <tr><td>-</td><td>-</td><td>-</td><td>-</td></tr> <tr><td>-</td><td>-</td><td>-</td><td>-</td></tr> <tr><td>-</td><td>-</td><td>-</td><td>-</td></tr> <tr><td>-</td><td>-</td><td>-</td><td>-</td></tr> <tr><td>-</td><td>-</td><td>-</td><td>-</td></tr> </table>		REV	DESCRIPTION	DATE	ENG	-	-	-	-	-	-	-	-	-	-	-	-	-	-	-	-	-	-	-	-	-	-	-	-	<table border="1"> <tr> <td>FR100806HW</td> <td>FR100806HW</td> </tr> </table>		FR100806HW	FR100806HW	<table border="1"> <tr> <td>FR100806HW</td> <td>FR100806HW</td> </tr> </table>		FR100806HW	FR100806HW
REV	DESCRIPTION	DATE	ENG																																		
-	-	-	-																																		
-	-	-	-																																		
-	-	-	-																																		
-	-	-	-																																		
-	-	-	-																																		
-	-	-	-																																		
FR100806HW	FR100806HW																																				
FR100806HW	FR100806HW																																				
<table border="1"> <tr> <th>REV</th> <th>DESCRIPTION</th> <th>DATE</th> <th>ENG</th> </tr> <tr><td>-</td><td>-</td><td>-</td><td>-</td></tr> <tr><td>-</td><td>-</td><td>-</td><td>-</td></tr> <tr><td>-</td><td>-</td><td>-</td><td>-</td></tr> <tr><td>-</td><td>-</td><td>-</td><td>-</td></tr> <tr><td>-</td><td>-</td><td>-</td><td>-</td></tr> <tr><td>-</td><td>-</td><td>-</td><td>-</td></tr> </table>		REV	DESCRIPTION	DATE	ENG	-	-	-	-	-	-	-	-	-	-	-	-	-	-	-	-	-	-	-	-	-	-	-	-	<table border="1"> <tr> <td>FR100806HW</td> <td>FR100806HW</td> </tr> </table>		FR100806HW	FR100806HW	<table border="1"> <tr> <td>FR100806HW</td> <td>FR100806HW</td> </tr> </table>		FR100806HW	FR100806HW
REV	DESCRIPTION	DATE	ENG																																		
-	-	-	-																																		
-	-	-	-																																		
-	-	-	-																																		
-	-	-	-																																		
-	-	-	-																																		
-	-	-	-																																		
FR100806HW	FR100806HW																																				
FR100806HW	FR100806HW																																				
<table border="1"> <tr> <th>REV</th> <th>DESCRIPTION</th> <th>DATE</th> <th>ENG</th> </tr> <tr><td>-</td><td>-</td><td>-</td><td>-</td></tr> <tr><td>-</td><td>-</td><td>-</td><td>-</td></tr> <tr><td>-</td><td>-</td><td>-</td><td>-</td></tr> <tr><td>-</td><td>-</td><td>-</td><td>-</td></tr> <tr><td>-</td><td>-</td><td>-</td><td>-</td></tr> <tr><td>-</td><td>-</td><td>-</td><td>-</td></tr> </table>		REV	DESCRIPTION	DATE	ENG	-	-	-	-	-	-	-	-	-	-	-	-	-	-	-	-	-	-	-	-	-	-	-	-	<table border="1"> <tr> <td>FR100806HW</td> <td>FR100806HW</td> </tr> </table>		FR100806HW	FR100806HW	<table border="1"> <tr> <td>FR100806HW</td> <td>FR100806HW</td> </tr> </table>		FR100806HW	FR100806HW
REV	DESCRIPTION	DATE	ENG																																		
-	-	-	-																																		
-	-	-	-																																		
-	-	-	-																																		
-	-	-	-																																		
-	-	-	-																																		
-	-	-	-																																		
FR100806HW	FR100806HW																																				
FR100806HW	FR100806HW																																				
<table border="1"> <tr> <th>REV</th> <th>DESCRIPTION</th> <th>DATE</th> <th>ENG</th> </tr> <tr><td>-</td><td>-</td><td>-</td><td>-</td></tr> <tr><td>-</td><td>-</td><td>-</td><td>-</td></tr> <tr><td>-</td><td>-</td><td>-</td><td>-</td></tr> <tr><td>-</td><td>-</td><td>-</td><td>-</td></tr> <tr><td>-</td><td>-</td><td>-</td><td>-</td></tr> <tr><td>-</td><td>-</td><td>-</td><td>-</td></tr> </table>		REV	DESCRIPTION	DATE	ENG	-	-	-	-	-	-	-	-	-	-	-	-	-	-	-	-	-	-	-	-	-	-	-	-	<table border="1"> <tr> <td>FR100806HW</td> <td>FR100806HW</td> </tr> </table>		FR100806HW	FR100806HW	<table border="1"> <tr> <td>FR100806HW</td> <td>FR100806HW</td> </tr> </table>		FR100806HW	FR100806HW
REV	DESCRIPTION	DATE	ENG																																		
-	-	-	-																																		
-	-	-	-																																		
-	-	-	-																																		
-	-	-	-																																		
-	-	-	-																																		
-	-	-	-																																		
FR100806HW	FR100806HW																																				
FR100806HW	FR100806HW																																				
<table border="1"> <tr> <th>REV</th> <th>DESCRIPTION</th> <th>DATE</th> <th>ENG</th> </tr> <tr><td>-</td><td>-</td><td>-</td><td>-</td></tr> <tr><td>-</td><td>-</td><td>-</td><td>-</td></tr> <tr><td>-</td><td>-</td><td>-</td><td>-</td></tr> <tr><td>-</td><td>-</td><td>-</td><td>-</td></tr> <tr><td>-</td><td>-</td><td>-</td><td>-</td></tr> <tr><td>-</td><td>-</td><td>-</td><td>-</td></tr> </table>		REV	DESCRIPTION	DATE	ENG	-	-	-	-	-	-	-	-	-	-	-	-	-	-	-	-	-	-	-	-	-	-	-	-	<table border="1"> <tr> <td>FR100806HW</td> <td>FR100806HW</td> </tr> </table>		FR100806HW	FR100806HW	<table border="1"> <tr> <td>FR100806HW</td> <td>FR100806HW</td> </tr> </table>		FR100806HW	FR100806HW
REV	DESCRIPTION	DATE	ENG																																		
-	-	-	-																																		
-	-	-	-																																		
-	-	-	-																																		
-	-	-	-																																		
-	-	-	-																																		
-	-	-	-																																		
FR100806HW	FR100806HW																																				
FR100806HW	FR100806HW																																				
<table border="1"> <tr> <th>REV</th> <th>DESCRIPTION</th> <th>DATE</th> <th>ENG</th> </tr> <tr><td>-</td><td>-</td><td>-</td><td>-</td></tr> <tr><td>-</td><td>-</td><td>-</td><td>-</td></tr> <tr><td>-</td><td>-</td><td>-</td><td>-</td></tr> <tr><td>-</td><td>-</td><td>-</td><td>-</td></tr> <tr><td>-</td><td>-</td><td>-</td><td>-</td></tr> <tr><td>-</td><td>-</td><td>-</td><td>-</td></tr> </table>		REV	DESCRIPTION	DATE	ENG	-	-	-	-	-	-	-	-	-	-	-	-	-	-	-	-	-	-	-	-	-	-	-	-	<table border="1"> <tr> <td>FR100806HW</td> <td>FR100806HW</td> </tr> </table>		FR100806HW	FR100806HW	<table border="1"> <tr> <td>FR100806HW</td> <td>FR100806HW</td> </tr> </table>		FR100806HW	FR100806HW
REV	DESCRIPTION	DATE	ENG																																		
-	-	-	-																																		
-	-	-	-																																		
-	-	-	-																																		
-	-	-	-																																		
-	-	-	-																																		
-	-	-	-																																		
FR100806HW	FR100806HW																																				
FR100806HW	FR100806HW																																				
<table border="1"> <tr> <th>REV</th> <th>DESCRIPTION</th> <th>DATE</th> <th>ENG</th> </tr> <tr><td>-</td><td>-</td><td>-</td><td>-</td></tr> <tr><td>-</td><td>-</td><td>-</td><td>-</td></tr> <tr><td>-</td><td>-</td><td>-</td><td>-</td></tr> <tr><td>-</td><td>-</td><td>-</td><td>-</td></tr> <tr><td>-</td><td>-</td><td>-</td><td>-</td></tr> <tr><td>-</td><td>-</td><td>-</td><td>-</td></tr> </table>		REV	DESCRIPTION	DATE	ENG	-	-	-	-	-	-	-	-	-	-	-	-	-	-	-	-	-	-	-	-	-	-	-	-	<table border="1"> <tr> <td>FR100806HW</td> <td>FR100806HW</td> </tr> </table>		FR100806HW	FR100806HW	<table border="1"> <tr> <td>FR100806HW</td> <td>FR100806HW</td> </tr> </table>		FR100806HW	FR100806HW
REV	DESCRIPTION	DATE	ENG																																		
-	-	-	-																																		
-	-	-	-																																		
-	-	-	-																																		
-	-	-	-																																		
-	-	-	-																																		
-	-	-	-																																		
FR100806HW	FR100806HW																																				
FR100806HW	FR100806HW																																				
<table border="1"> <tr> <th>REV</th> <th>DESCRIPTION</th> <th>DATE</th> <th>ENG</th> </tr> <tr><td>-</td><td>-</td><td>-</td><td>-</td></tr> <tr><td>-</td><td>-</td><td>-</td><td>-</td></tr> <tr><td>-</td><td>-</td><td>-</td><td>-</td></tr> <tr><td>-</td><td>-</td><td>-</td><td>-</td></tr> <tr><td>-</td><td>-</td><td>-</td><td>-</td></tr> <tr><td>-</td><td>-</td><td>-</td><td>-</td></tr> </table>		REV	DESCRIPTION	DATE	ENG	-	-	-	-	-	-	-	-	-	-	-	-	-	-	-	-	-	-	-	-	-	-	-	-	<table border="1"> <tr> <td>FR100806HW</td> <td>FR100806HW</td> </tr> </table>		FR100806HW	FR100806HW	<table border="1"> <tr> <td>FR100806HW</td> <td>FR100806HW</td> </tr> </table>		FR100806HW	FR100806HW
REV	DESCRIPTION	DATE	ENG																																		
-	-	-	-																																		
-	-	-	-																																		
-	-	-	-																																		
-	-	-	-																																		
-	-	-	-																																		
-	-	-	-																																		
FR100806HW	FR100806HW																																				
FR100806HW	FR100806HW																																				
<table border="1"> <tr> <th>REV</th> <th>DESCRIPTION</th> <th>DATE</th> <th>ENG</th> </tr> <tr><td>-</td><td>-</td><td>-</td><td>-</td></tr> <tr><td>-</td><td>-</td><td>-</td><td>-</td></tr> <tr><td>-</td><td>-</td><td>-</</td></tr></table>		REV	DESCRIPTION	DATE	ENG	-	-	-	-	-	-	-	-	-	-	-</																					
REV	DESCRIPTION	DATE	ENG																																		
-	-	-	-																																		
-	-	-	-																																		
-	-	-</																																			



BACK SIDE
(1) MOUNTING FOOT REMOVED FOR CLARITY
TORQUE SCREWS TO 25 IN.-LBS




NOTES:
1. RTV 732 SILICONE SEALANT SHALL BE APPLIED ON HINGE PINS AFTER INSTALLATION

PARTS LIST			
ITEM	QTY	PART NUMBER	DESCRIPTION
1	1	WP100806B	FR100806B MOLDED HINGE BOX
2	1	WP100806U	FR100806 GASKETED HINGE COVER
3	8	RMINS45821P	#10-32 THREADED BRASS INSERT
4	4	RMINS700113	#10-32 X 5/16 THREADED BRASS INSERT
5	2	RMSC10-32X1-1/4COM	#10-32 X 1-1/4 COVER SCREW
6	2	RMAS568007	O-RING FOR COVER SCREW
7	1	RMLABLANK3X2	FR100806HW LABEL
8	1	FEFRMGFTKIT	FREEDOM SERIES MOUNTING FOOT KIT (INCLUDES (4) MOUNTING FEET WITH SCREWS)
9	4	RMSC10-32X7/16FHPH	10-32 x 7/16 FLAT HEAD PHILLIPS HEAD SCREW (INCLUDED WITH FEFRMGFTKIT)
10	1	WP2PKFRBP	FREEDOM SERIES SCREW PACK
11	2	RMAT1656AA	COVER BUSHING
12	2	RMHINGAT40006-03	FREEDOM SERIES HINGE PIN
13	AR	RTV-732	SILICONE SEALANT

THIS DRAWING IS THE SOLE AND EXCLUSIVE PROPERTY OF ROBROY ENCLOSURES. NO PART OF THIS DRAWING MAY BE REPRODUCED, DISTRIBUTED, OR PUBLICALLY DISPLAYED IN ANY FORM OR BY ANY MEANS WITHOUT THE EXPRESS WRITTEN PERMISSION OF ROBROY ENCLOSURES. ALL RIGHTS RESERVED. UNDER THE COPYRIGHT LAWS. COPYRIGHT © 2017 ROBROY ENCLOSURES

SPECIAL REQUIREMENTS
 ASSEMBLY:
 1. MOUNTING FEET SHOWN AS INSTALLED - FOR REFERENCE ONLY
 -SOLD SEPARATELY
 -FREEDOM SERIES MOUNTING FOOT KIT (FEFRMGFTKIT)
 -INCLUDES (4) #10-32 x 7/16 FLAT HEAD PHILLIPS HEAD SCREWS (RMSC10-32X7/16FHPH)
 2. (1) FREEDOM SERIES SCREW PACK (WP2PKFRBP) SHALL BE PACKAGED LOOSELY INSIDE ENCLOSURE
 HARDWARE INCLUDED:
 -3) #10-32 x 1-1/4 PAN HEAD COMBINATION DRIVE SCREW (RMSC10-32X1-1/4COM)
 -4) #10-32 x 3/8 PAN HEAD SCREW (RMSC10-32X3/8Z)
 -4) #10 WASHER (RMWAS10Z)
 -2) O-RING FOR COVER SCREW (RMAS568007)

NEMA 250: TYPE 1, 3, 3S, 4X, 12, 13 IEC 60529: IP66 COLOR: GLACIER GREY (WPRX13) COLOR STANDARD: PANTONE 428 C	STANDARD P/N: FR100806HW CUSTOMER DWG:	ALL DIMENSIONS ARE IN INCHES UNLESS OTHERWISE SPECIFIED	TOLERANCES UNLESS SPECIFIED .XX ± 0.03 .XXX ± 0.010	
MATERIAL: FIBERGLASS REINFORCED POLYESTER (FRP)		 <p>Robroy Enclosures 500 Maple Street Belding, Michigan 48809 Phone: 616-794-0700 Fax: 616-749-3378</p>		
WWW.ATTABOX.COM	DRAWN BY: E91			DATE: 05/11/17
SCALE: DO NOT SCALE	CUSTOMER DESCRIPTION: STANDARD ENCLOSURE			DWG PART NUMBER: ATFR100806HW