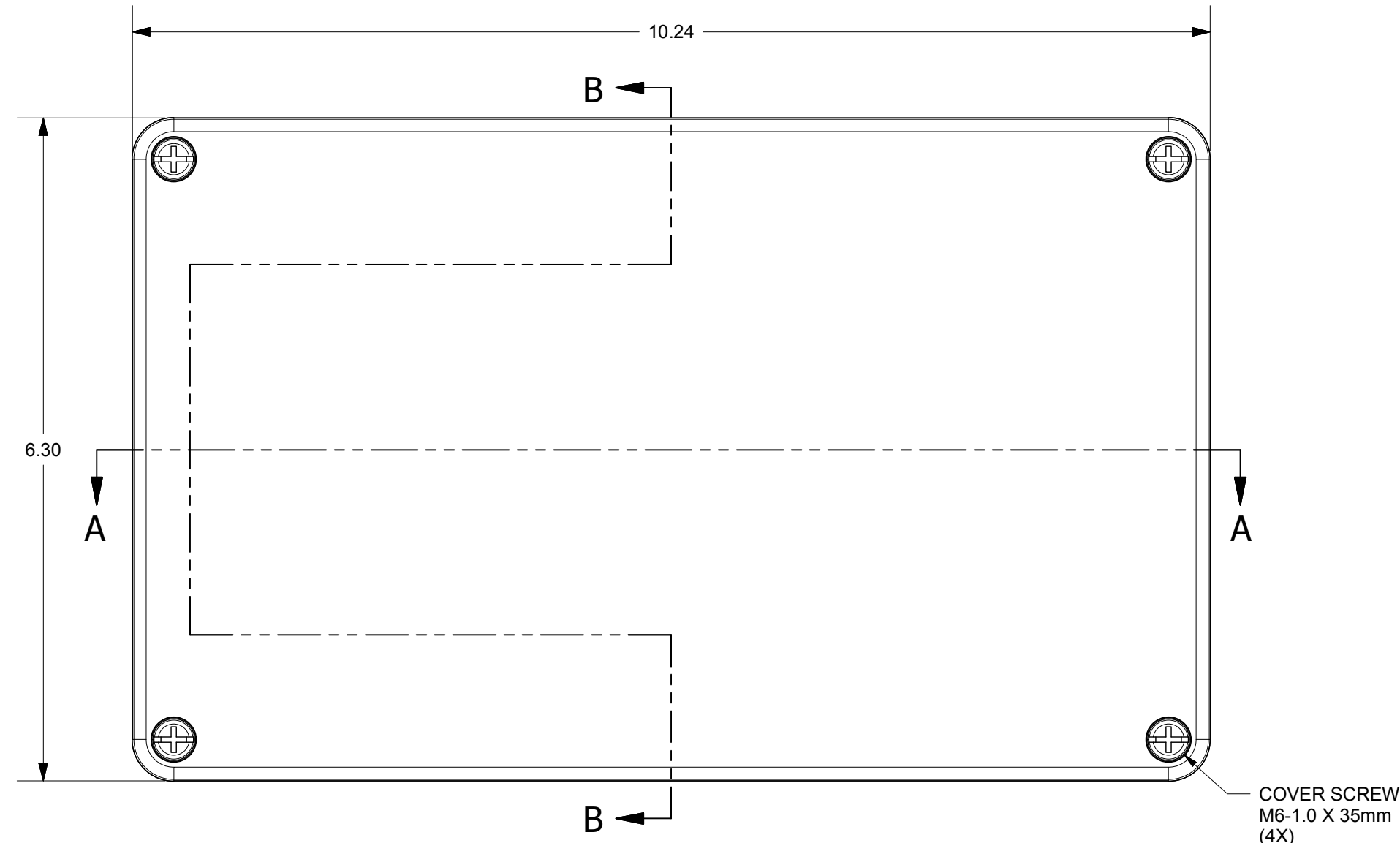
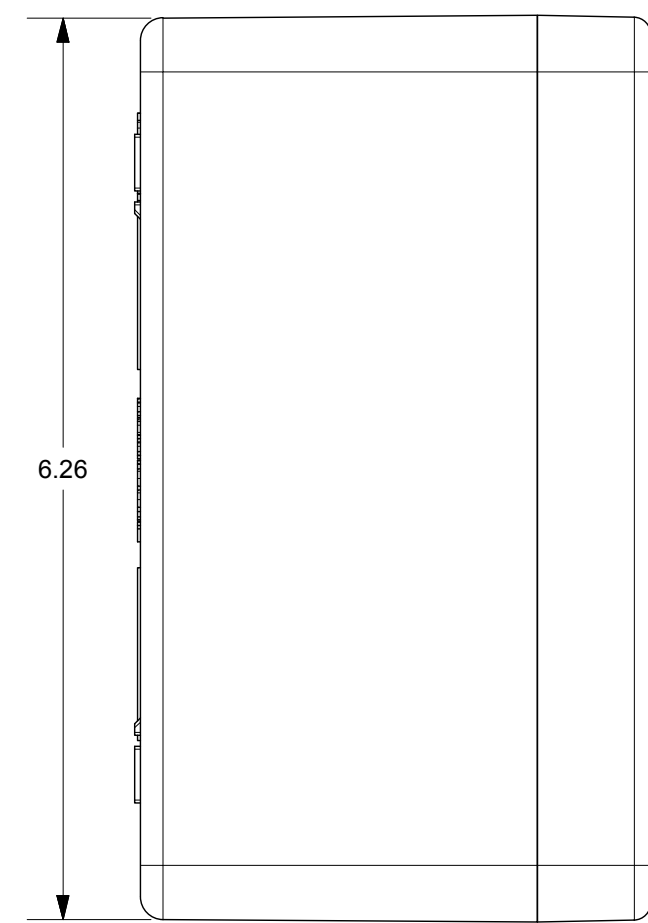
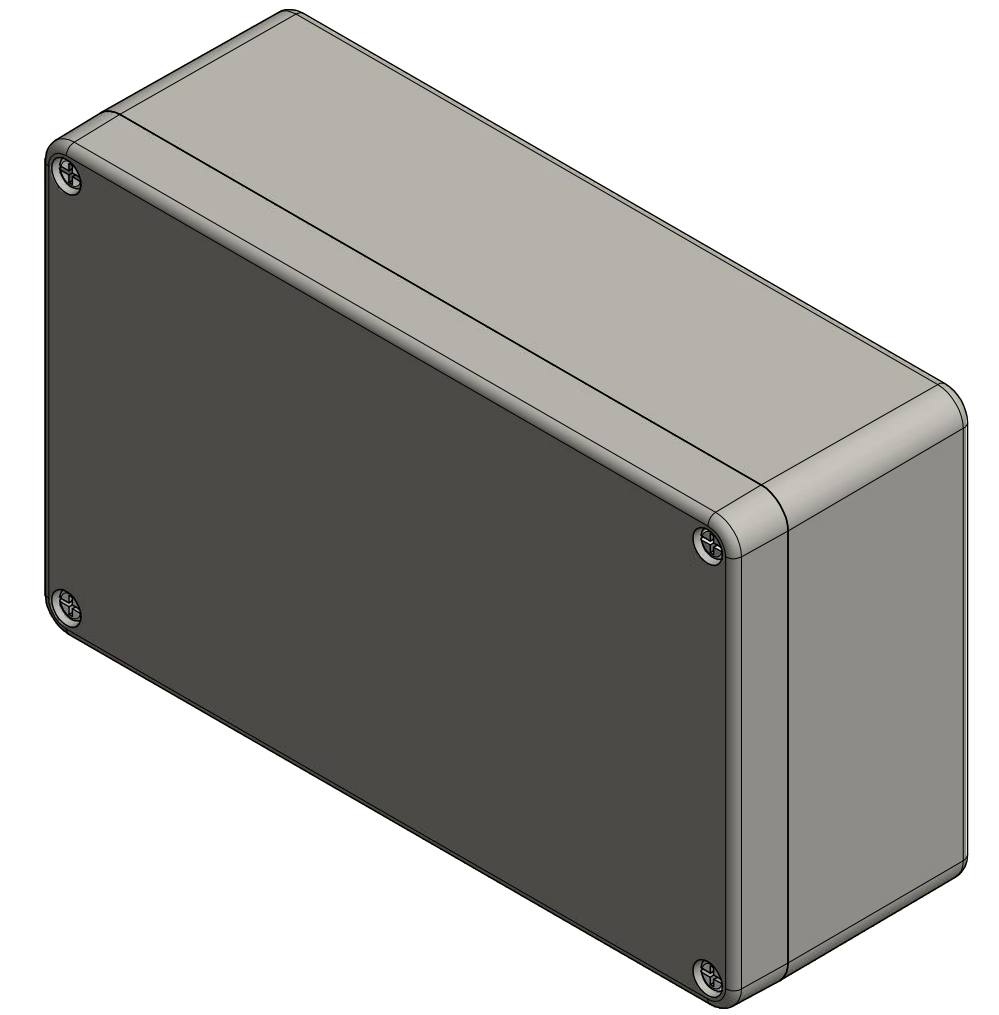


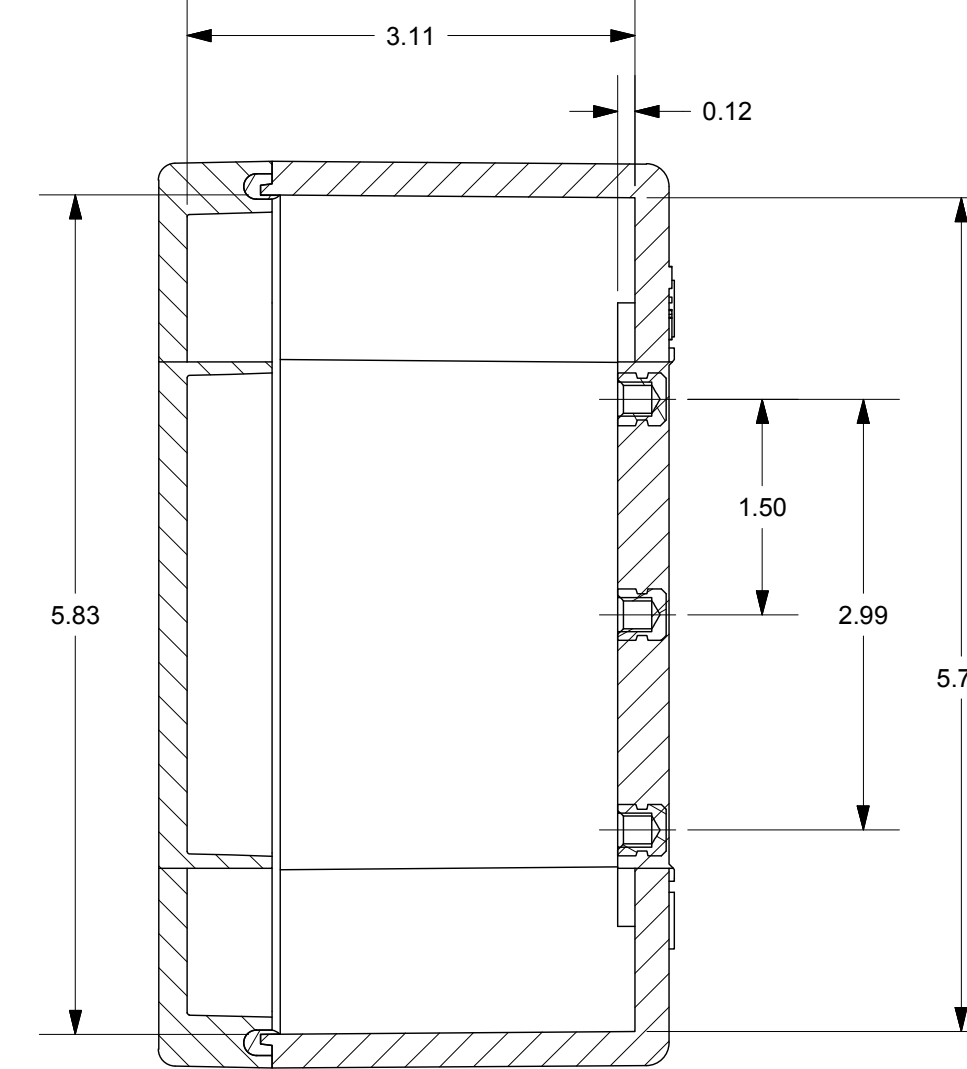
SECTION A-A



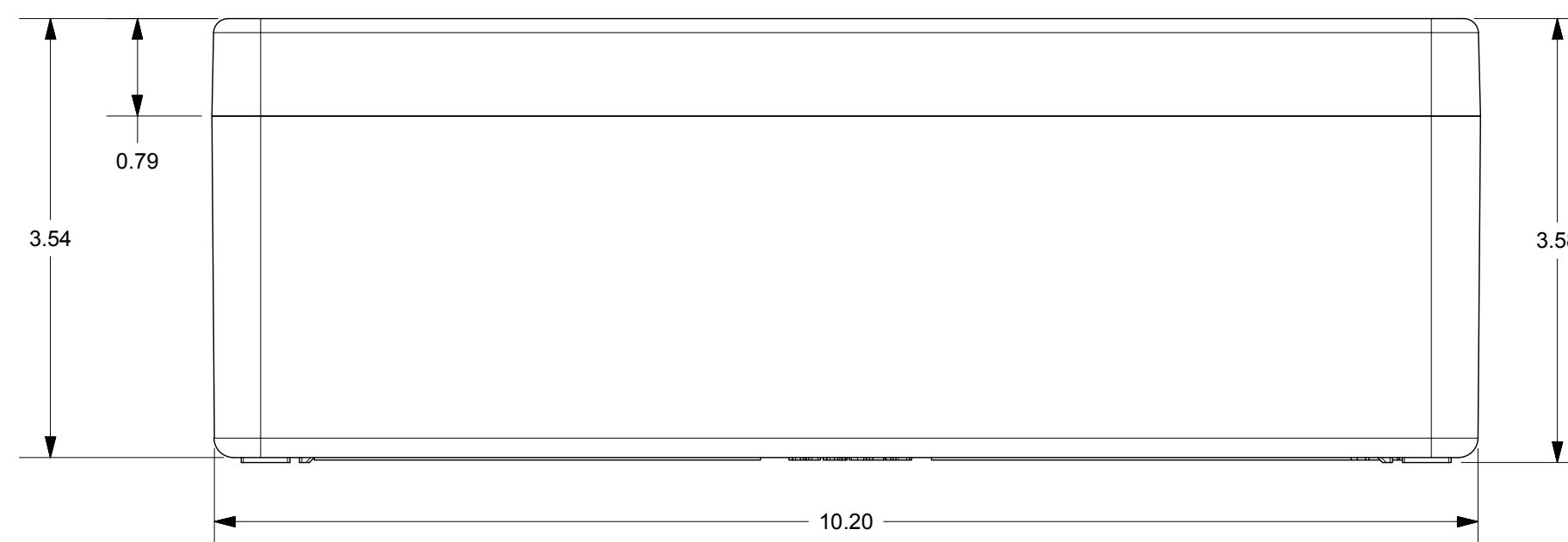
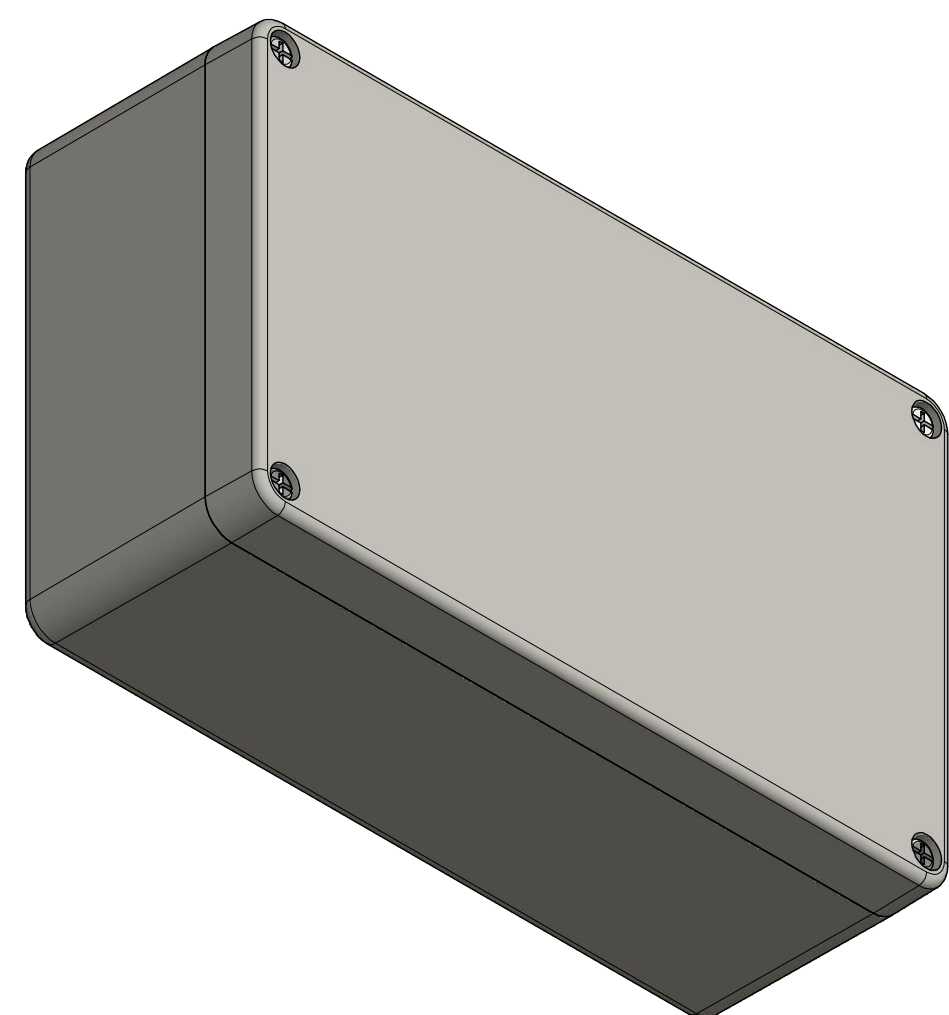
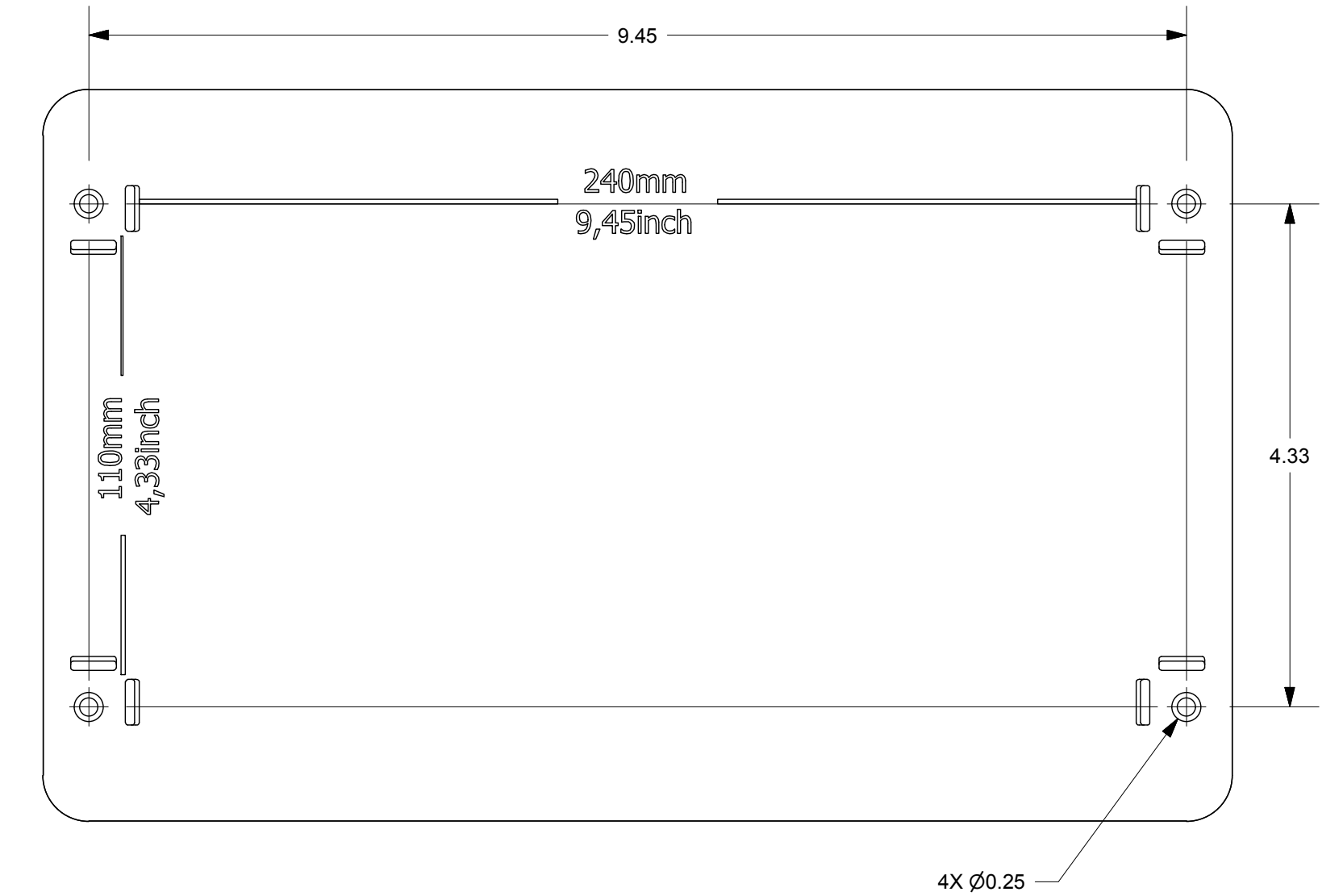
PRODUCT LABEL DETAIL



COVER SCREW
M6-1.0 X 35mm
(4X)




SECTION B-B



END USER NOTES:
1. TORQUE COVER SCREWS TO 17-22 IN.-LBS. TO MAINTAIN RATINGS

THIS DRAWING IS THE SOLE AND EXCLUSIVE PROPERTY OF ROBROY ENCLOSURES. NO PART OF THIS DRAWING MAY BE REPRODUCED, DISTRIBUTED, OR PUBLICALLY DISPLAYED IN ANY FORM OR BY ANY MEANS WITHOUT THE EXPRESS WRITTEN PERMISSION OF ROBROY ENCLOSURES. ALL RIGHTS RESERVED. UNDER THE COPYRIGHT LAWS. COPYRIGHT © 2017 ROBROY ENCLOSURES.

SPECIAL REQUIREMENTS

NEMA 250: TYPE 1, 3, 3S, 4X, 6, 6P, 12 IEC 60529: IP66, IP67, IP68		STANDARD P/N: DU7114W	ALL DIMENSIONS ARE IN INCHES UNLESS OTHERWISE SPECIFIED		TOLERANCES UNLESS SPECIFIED	.XX ± 0.03	.XXX ± 0.010																																
COLOR: GLACIER GRAY COLOR STANDARD: PANTONE 428 C		CUSTOMER DWG:	MATERIAL: FIBERGLASS REINFORCED POLYESTER (FRP)																																				
<table border="1"> <thead> <tr> <th>REV</th> <th>DESCRIPTION</th> <th>DATE</th> <th>ENG</th> </tr> </thead> <tbody> <tr><td>-</td><td>-</td><td>-</td><td>-</td></tr> <tr><td>-</td><td>-</td><td>-</td><td>-</td></tr> <tr><td>-</td><td>-</td><td>-</td><td>-</td></tr> <tr><td>-</td><td>-</td><td>-</td><td>-</td></tr> <tr><td>-</td><td>-</td><td>-</td><td>-</td></tr> <tr><td>-</td><td>-</td><td>-</td><td>-</td></tr> </tbody> </table>		REV	DESCRIPTION	DATE				ENG	-	-	-	-	-	-	-	-	-	-	-	-	-	-	-	-	-	-	-	-	-	-	-	-	<table border="1"> <thead> <tr> <th>DRAWN BY</th> <th>DATE</th> <th>CUSTOMER</th> <th>DWG</th> </tr> </thead> <tbody> <tr> <td>E91</td> <td>05/10/17</td> <td></td> <td>DU7114W</td> </tr> </tbody> </table>		DRAWN BY	DATE	CUSTOMER	DWG	E91
REV	DESCRIPTION	DATE	ENG																																				
-	-	-	-																																				
-	-	-	-																																				
-	-	-	-																																				
-	-	-	-																																				
-	-	-	-																																				
-	-	-	-																																				
DRAWN BY	DATE	CUSTOMER	DWG																																				
E91	05/10/17		DU7114W																																				
DO NOT SCALE		SCALE	DESCRIPTION	PART NUMBER	Robroy Enclosures 500 Maple Street Belding, Michigan 48809 Phone: 616-794-0700 Fax: 616-749-3378																																		
		STANDARD ENCLOSURE	ATDU7114W																																				