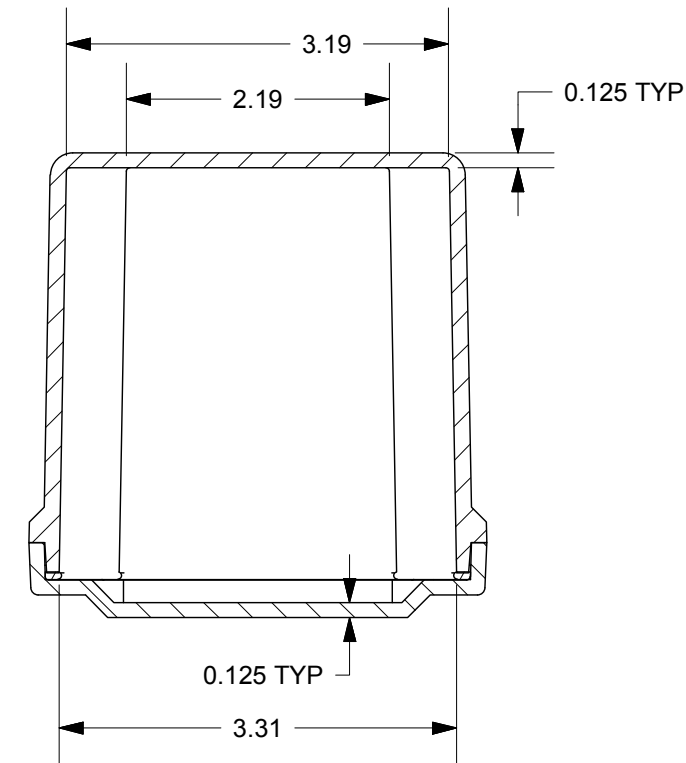


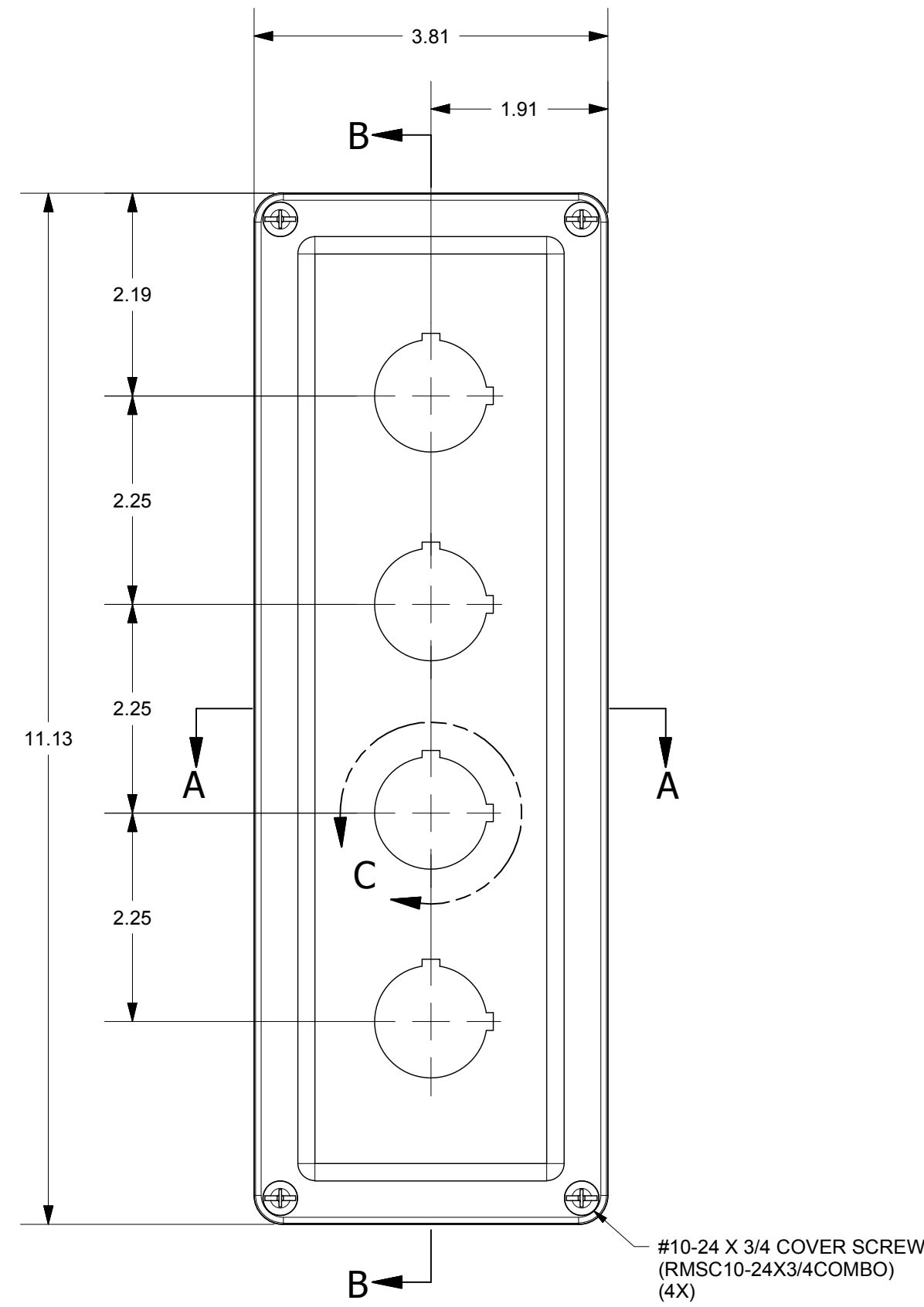
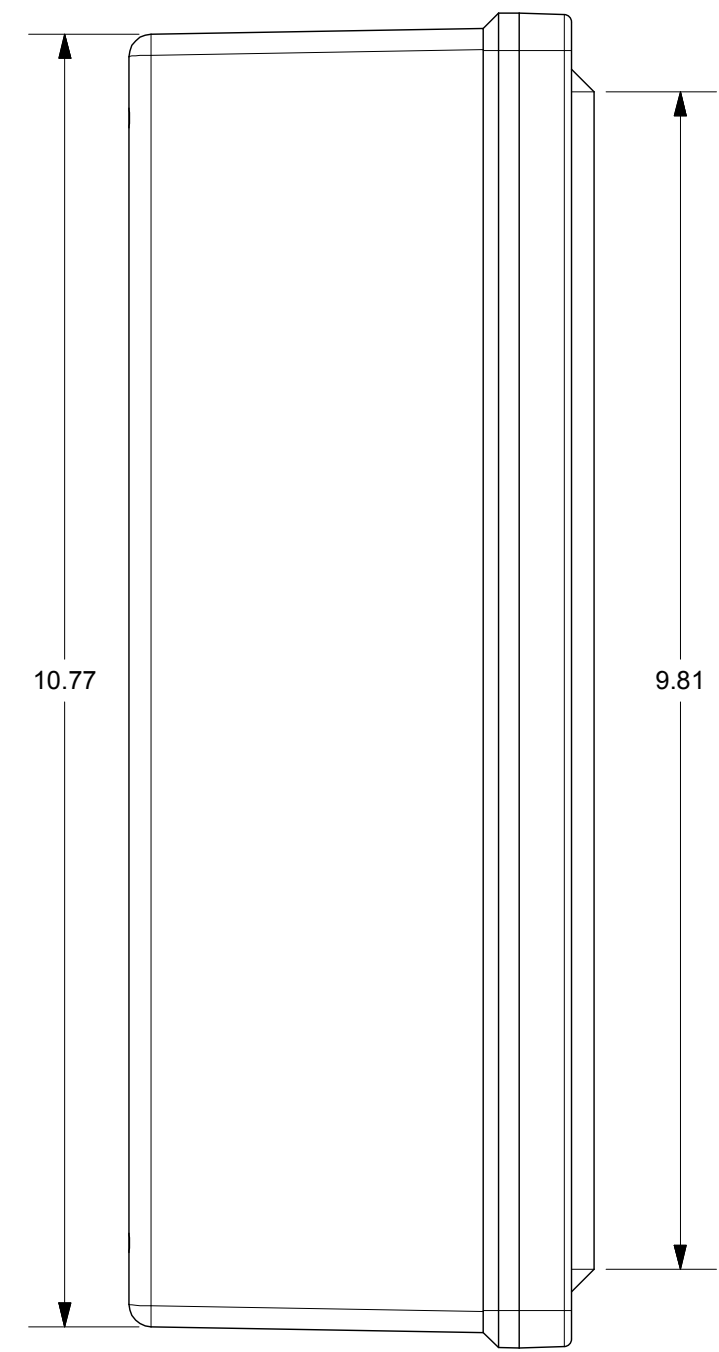
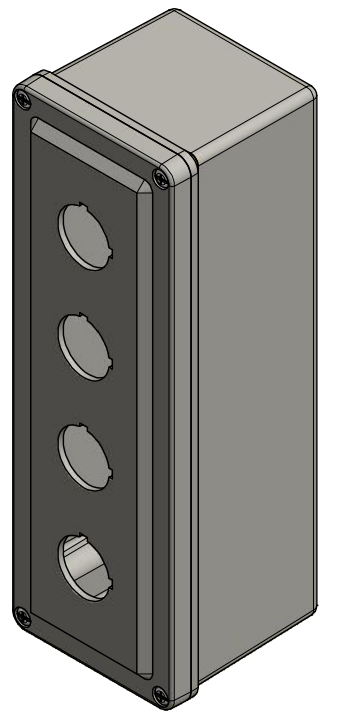
DETAIL C  
(4X)



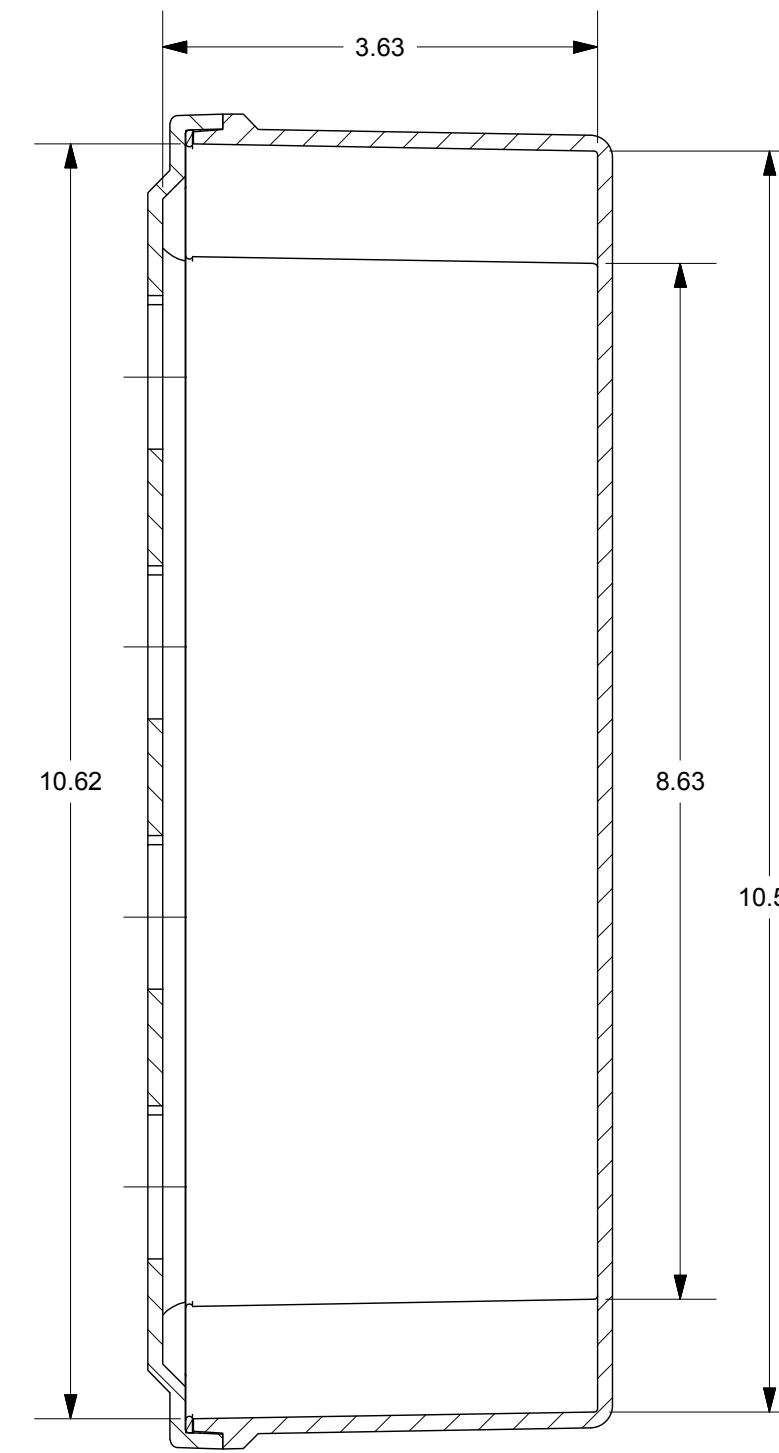
SECTION A-A



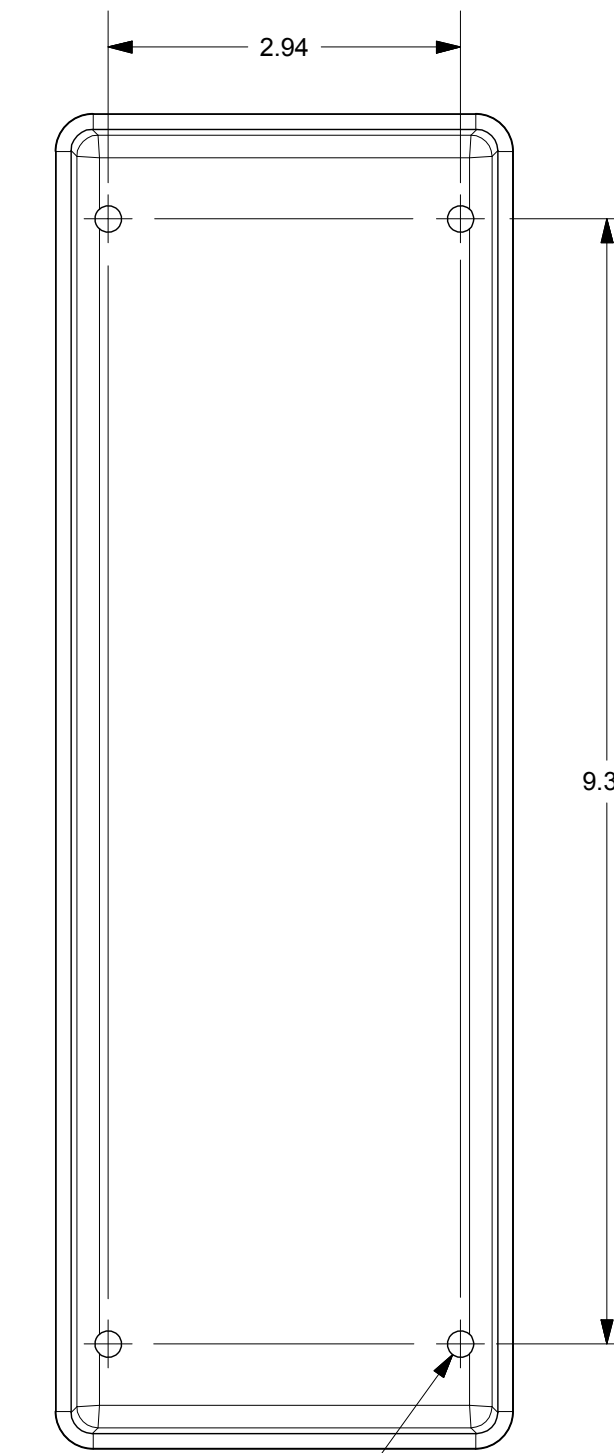
PRODUCT LABEL DETAIL  
(BOX)



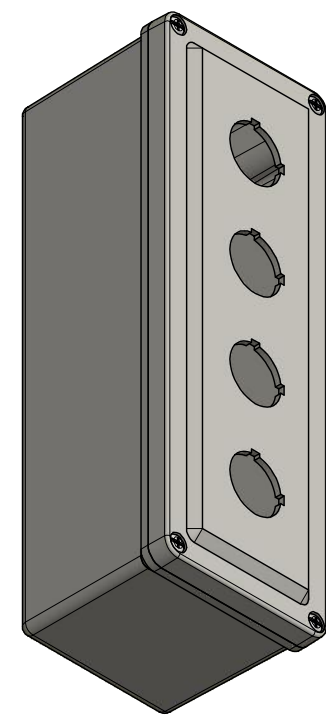
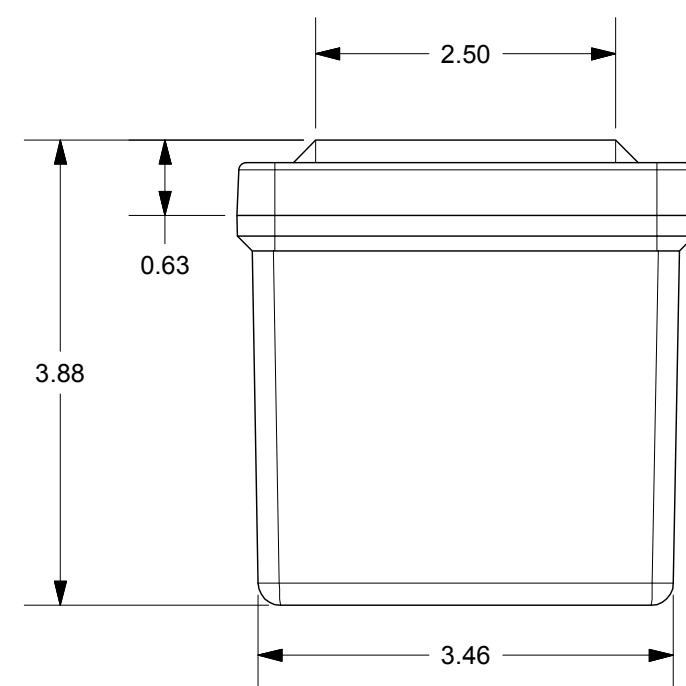
#10-24 X 3/4 COVER SCREW  
(RMSC10-24X3/4COMBO)  
(4X)



SECTION B-B




4X Ø0.22



THIS DRAWING IS THE SOLE AND EXCLUSIVE PROPERTY OF ROBROY ENCLOSURES. NO PART OF THIS DRAWING MAY BE REPRODUCED, DISTRIBUTED, OR PUBLICALLY DISPLAYED IN ANY FORM OR BY ANY MEANS WITHOUT THE EXPRESS WRITTEN PERMISSION OF ROBROY ENCLOSURES. ALL RIGHTS RESERVED. UNDER THE COPYRIGHT LAWS. COPYRIGHT © 2017 ROBROY ENCLOSURES.

END USER NOTES:  
1. TORQUE COVER SCREWS TO 20-24 IN.-LBS. TO MAINTAIN RATINGS

**SPECIAL REQUIREMENTS**

NEMA 250: TYPE 1, 3R, 4X, 6P, 12 IEC 60529: IP66, IP67, IP68 COLOR: GLACIER GRAY (WPR3013) COLOR STANDARD: PANTONE 428 C		STANDARD P/N: CO4PB	ALL DIMENSIONS ARE IN INCHES UNLESS OTHERWISE SPECIFIED	TOLERANCES UNLESS SPECIFIED	.XX ± 0.03	.XXX ± 0.010																																								
MATERIAL: FIBERGLASS REINFORCED POLYESTER (FRP)		CUSTOMER DWG:	 <p><b>Robroy Enclosures</b> 500 Maple Street Belding, Michigan 48809 Phone: 616-794-0700 Fax: 616-749-3378</p>																																											
<table border="1"> <thead> <tr> <th>REV</th> <th>DESCRIPTION</th> <th>DATE</th> <th>ENG</th> </tr> </thead> <tbody> <tr><td>-</td><td>-</td><td>-</td><td>-</td></tr> <tr><td>-</td><td>-</td><td>-</td><td>-</td></tr> <tr><td>-</td><td>-</td><td>-</td><td>-</td></tr> <tr><td>-</td><td>-</td><td>-</td><td>-</td></tr> <tr><td>-</td><td>-</td><td>-</td><td>-</td></tr> <tr><td>-</td><td>-</td><td>-</td><td>-</td></tr> </tbody> </table>		REV					DESCRIPTION	DATE	ENG	-	-	-	-	-	-	-	-	-	-	-	-	-	-	-	-	-	-	-	-	-	-	-	-	<table border="1"> <tr> <td>DRAWN BY</td> <td>DATE</td> <td>CUSTOMER</td> <td>DWG</td> </tr> <tr> <td>E91</td> <td>05/17/17</td> <td></td> <td>CO4PB</td> </tr> <tr> <td>SCALE</td> <td>DESCRIPTION</td> <td>PART NUMBER</td> <td></td> </tr> <tr> <td>DO NOT SCALE</td> <td>STANDARD ENCLOSURE</td> <td>ATCO4PB</td> <td></td> </tr> </table>	DRAWN BY	DATE	CUSTOMER	DWG	E91	05/17/17		CO4PB	SCALE	DESCRIPTION	PART NUMBER	
REV	DESCRIPTION	DATE	ENG																																											
-	-	-	-																																											
-	-	-	-																																											
-	-	-	-																																											
-	-	-	-																																											
-	-	-	-																																											
-	-	-	-																																											
DRAWN BY	DATE	CUSTOMER	DWG																																											
E91	05/17/17		CO4PB																																											
SCALE	DESCRIPTION	PART NUMBER																																												
DO NOT SCALE	STANDARD ENCLOSURE	ATCO4PB																																												