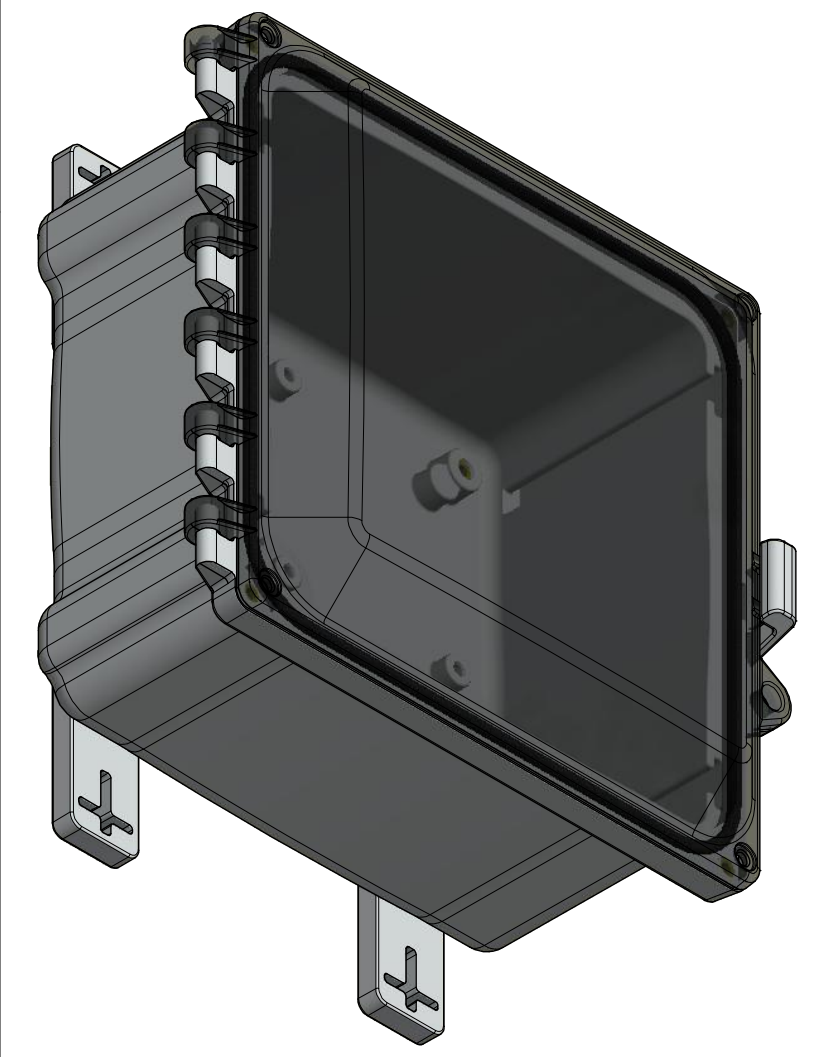
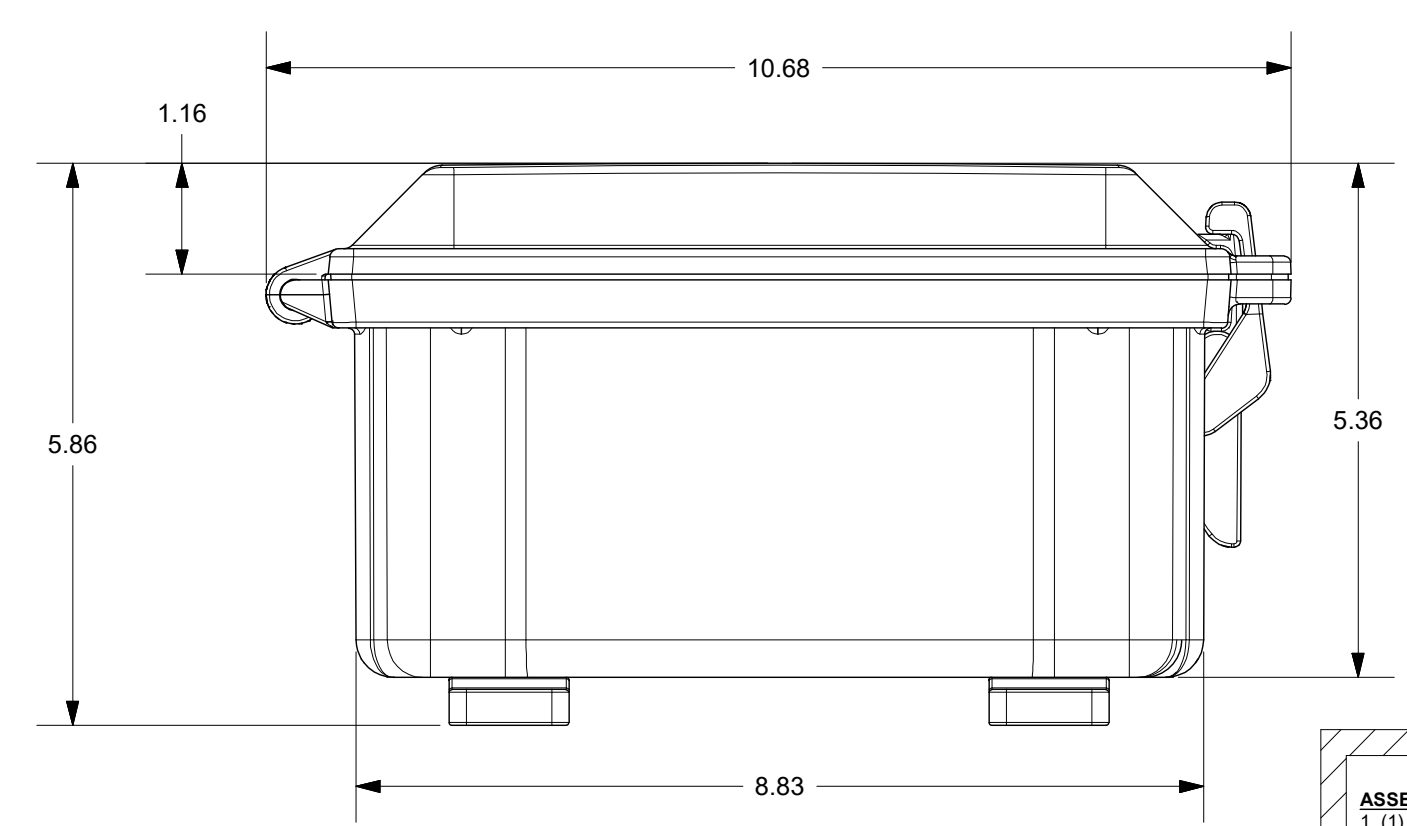
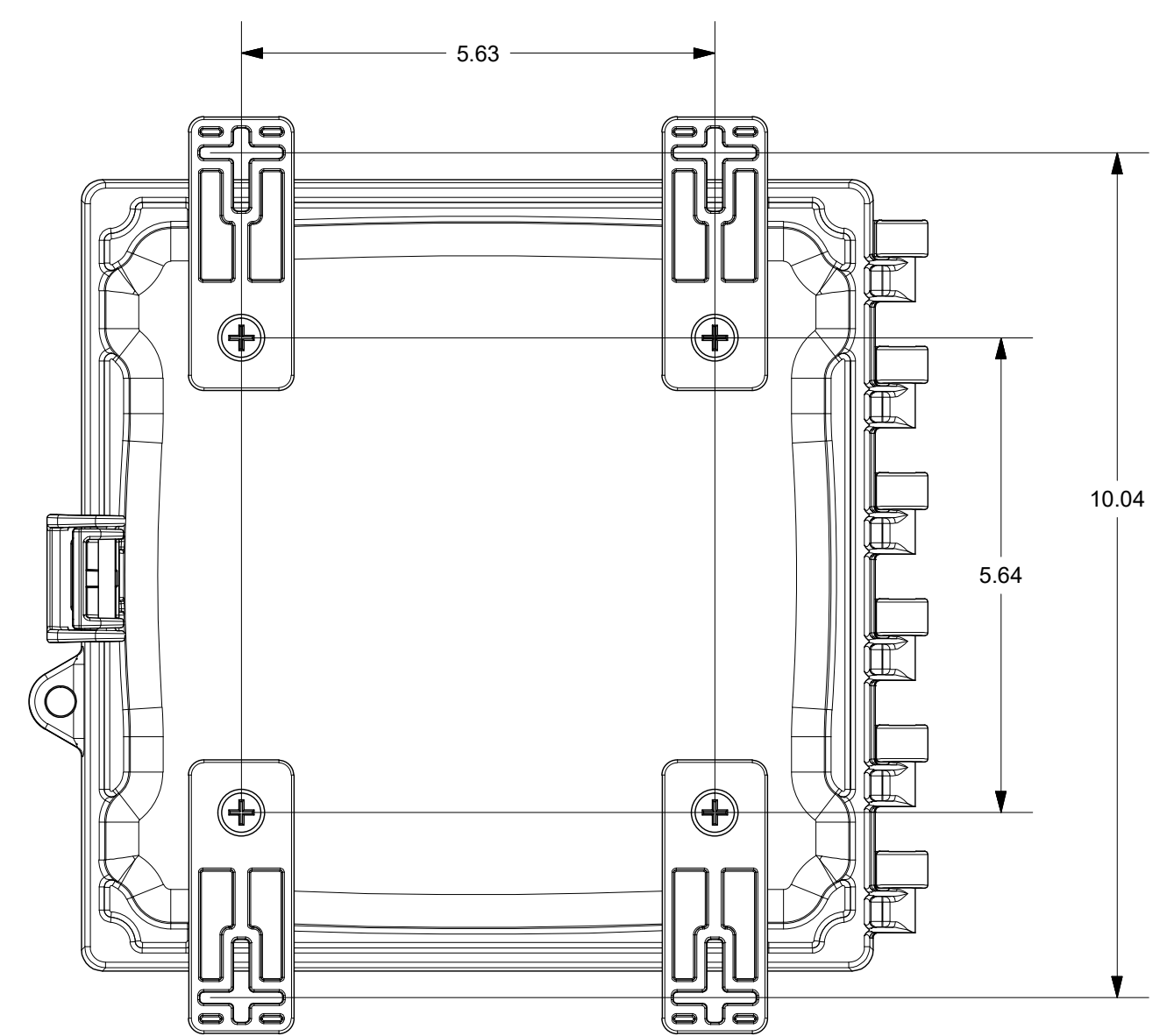
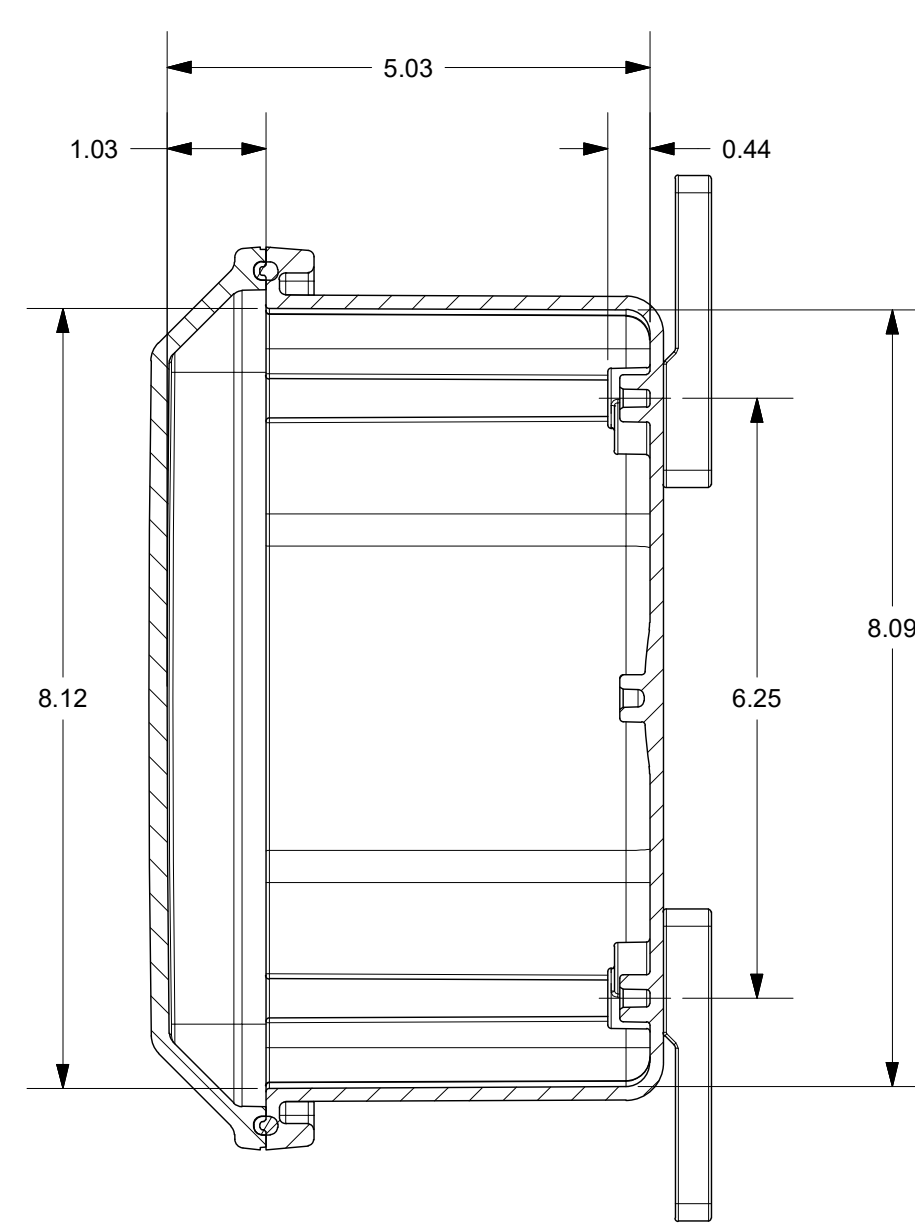
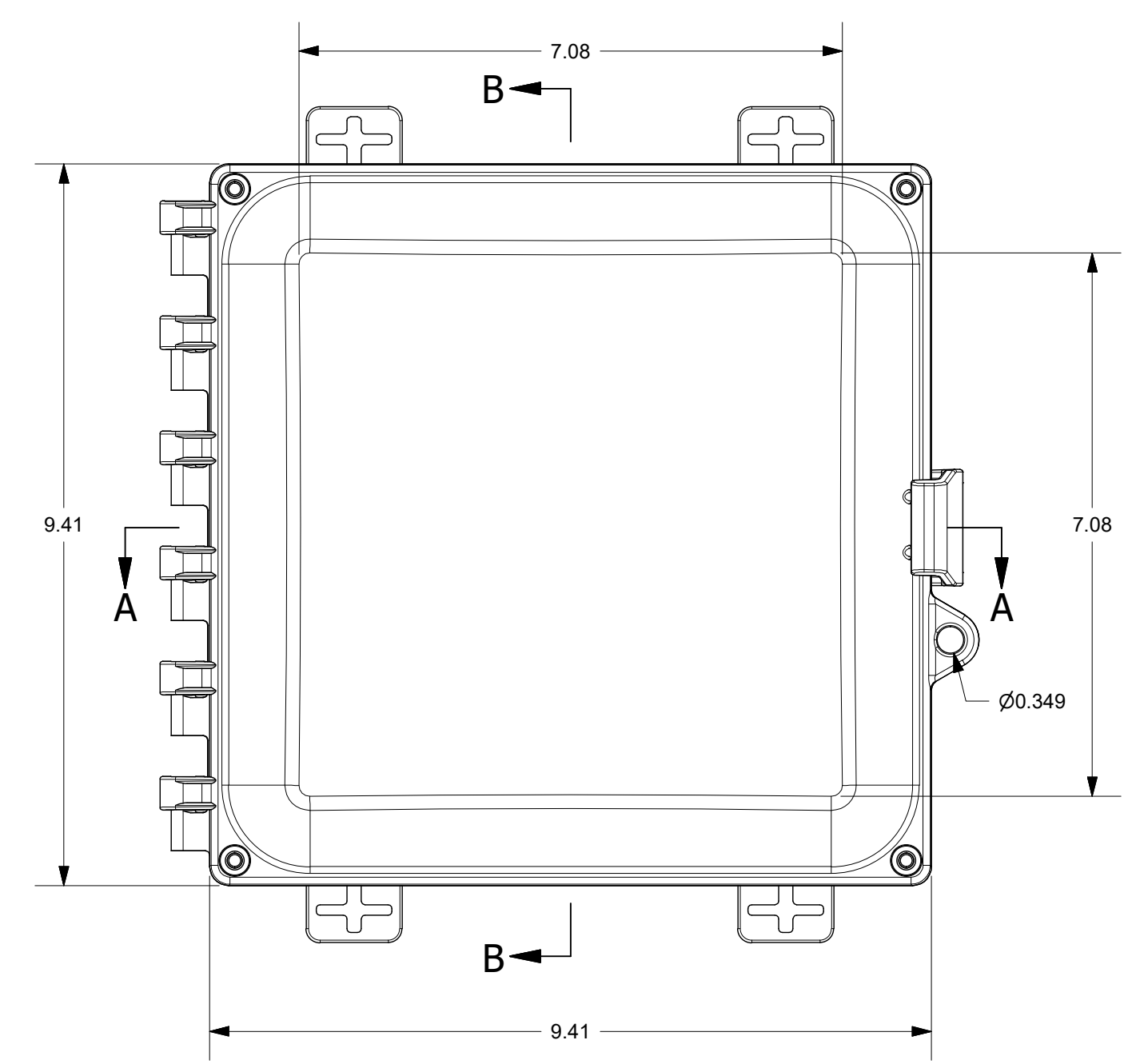
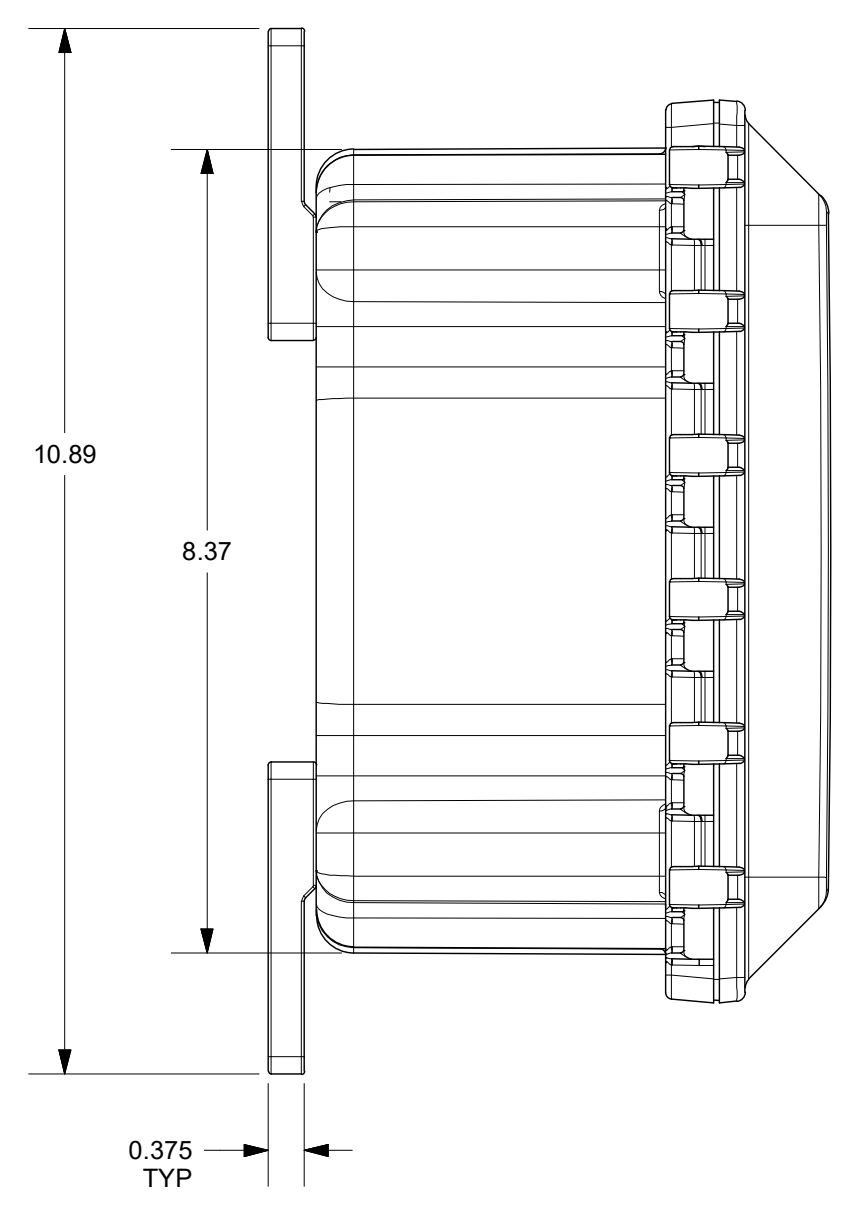


FOR REFERENCE ONLY  
MOUNTING FEET SHOWN AS INSTALLED



THIS DRAWING IS THE SOLE AND EXCLUSIVE PROPERTY OF ROBROY ENCLOSURES. NO PART OF THIS DRAWING MAY BE REPRODUCED, DISTRIBUTED, OR PUBLICALLY DISPLAYED IN ANY FORM OR BY ANY MEANS WITHOUT THE EXPRESS WRITTEN PERMISSION OF ROBROY ENCLOSURES. ALL RIGHTS RESERVED. UNDER THE COPYRIGHT LAWS. COPYRIGHT © 2017 ROBROY ENCLOSURES

**SPECIAL REQUIREMENTS**

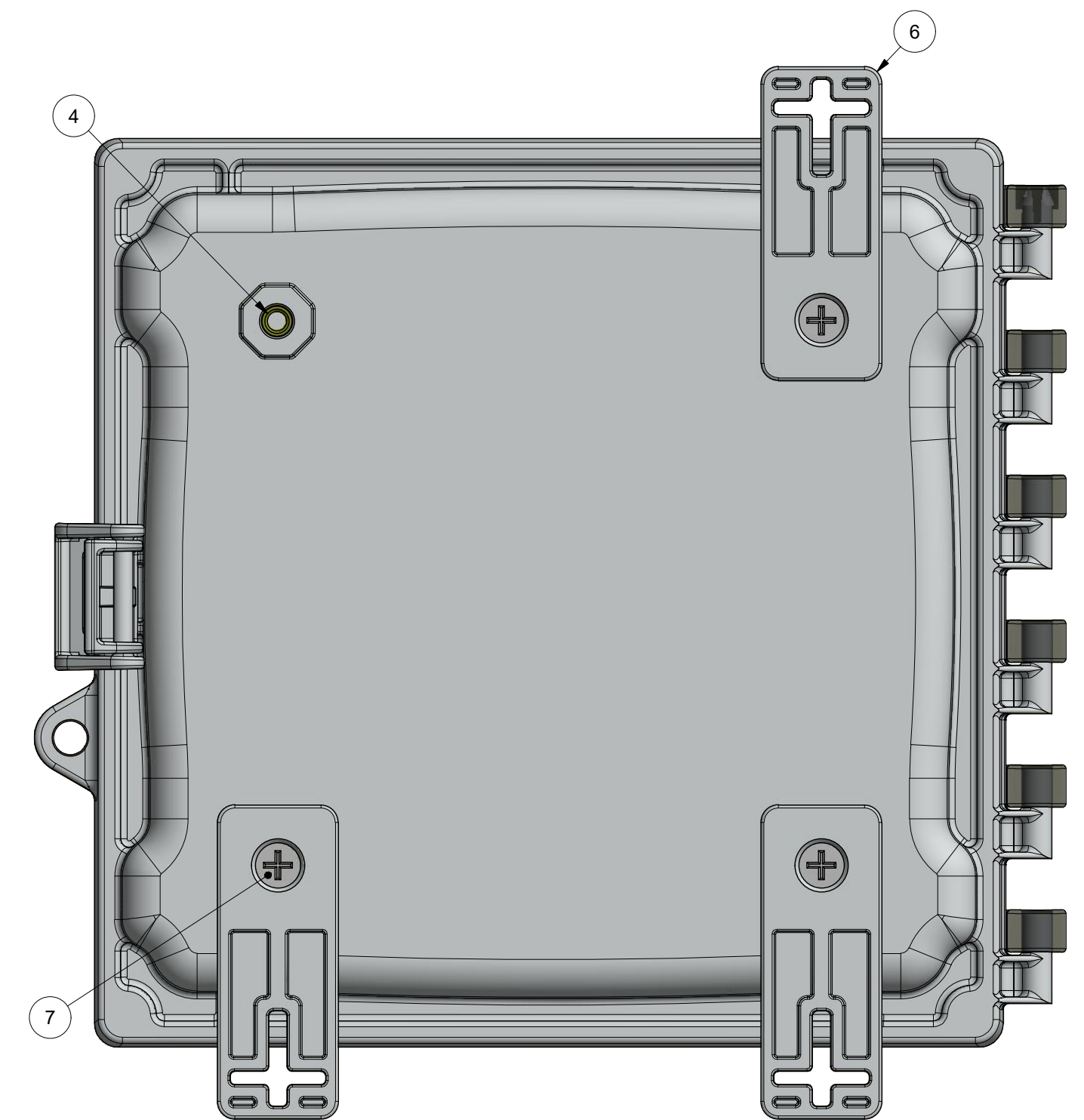
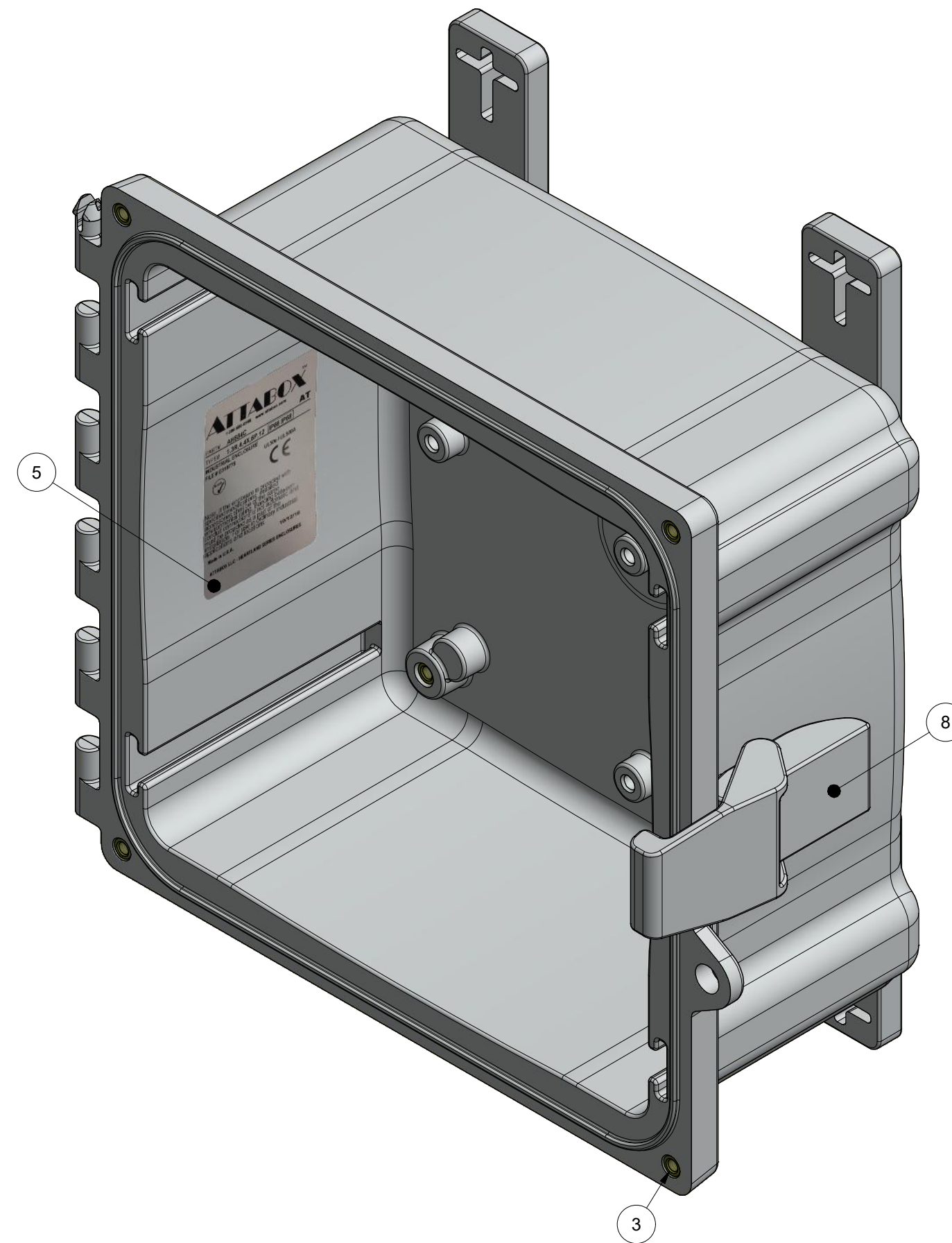
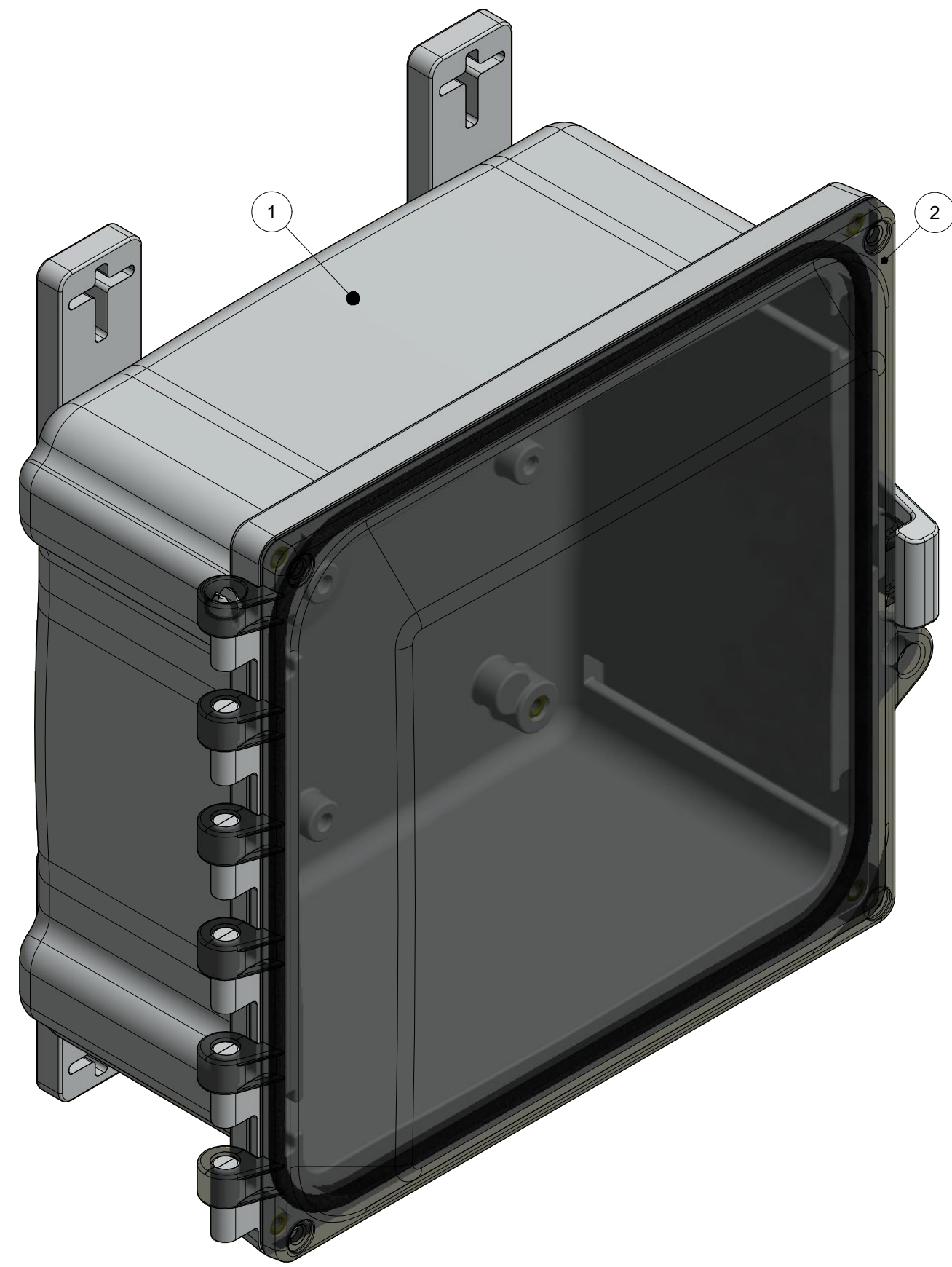
ASSEMBLY:

- (1) POLYCARBONATE ACCESSORY KIT (WPPCACCKIT) SHALL BE PACKAGED LOOSELY INSIDE ENCLOSURE
- (1) STYROFOAM SHEET SHALL BE PLACED ON TOP OF COVER INSIDE CARTON

HARDWARE INCLUDED:

- (4) 1/4-20 x 1/2 FLAT HEAD PHILLIPS MACHINE SCREW (RMSC14-20X.5FLPH)
- (4) #10-32 x 5/8 PAN HEAD PHILLIPS MACHINE SCREW (RMSC1032X5/8SS)
- (4) #10-32 x 3/8 PAN HEAD SCREW (RMSC1032X3/8ZN)
- (4) #10 WASHER (RMWAS10ZN)

NEMA 250: TYPE 1, 3R, 4, 4X, 6P, 12 IEC 60529: IP66, IP68	STANDARD P/N: AH884C	ALL DIMENSIONS ARE IN INCHES UNLESS OTHERWISE SPECIFIED	TOLERANCES UNLESS SPECIFIED	.XX ± 0.03	.XXX ± 0.010																																										
COLOR: N/A COLOR STANDARD: PANTONE 7541 C	CUSTOMER DWG:																																														
MATERIAL: POLYCARBONATE																																															
<table border="1"> <thead> <tr> <th>REV</th> <th>DESCRIPTION</th> <th>DATE</th> <th>ENG</th> <th colspan="2"></th> </tr> </thead> <tbody> <tr><td>-</td><td>-</td><td>-</td><td>-</td><td colspan="2"></td></tr> <tr><td>-</td><td>-</td><td>-</td><td>-</td><td colspan="2"></td></tr> <tr><td>-</td><td>-</td><td>-</td><td>-</td><td colspan="2"></td></tr> <tr><td>-</td><td>-</td><td>-</td><td>-</td><td colspan="2"></td></tr> <tr><td>-</td><td>-</td><td>-</td><td>-</td><td colspan="2"></td></tr> <tr><td>-</td><td>-</td><td>-</td><td>-</td><td colspan="2"></td></tr> </tbody> </table>						REV	DESCRIPTION	DATE	ENG			-	-	-	-			-	-	-	-			-	-	-	-			-	-	-	-			-	-	-	-			-	-	-	-		
REV	DESCRIPTION	DATE	ENG																																												
-	-	-	-																																												
-	-	-	-																																												
-	-	-	-																																												
-	-	-	-																																												
-	-	-	-																																												
-	-	-	-																																												
<table border="1"> <tr> <td>DRWN BY</td> <td>DATE</td> <td>CUSTOMER</td> <td colspan="3">DWG</td> </tr> <tr> <td>DRH</td> <td>06/06/17</td> <td></td> <td colspan="3">AH884C</td> </tr> <tr> <td colspan="2">SCALE</td> <td>DESCRIPTION</td> <td colspan="3">PART NUMBER</td> </tr> <tr> <td colspan="2">DO NOT SCALE</td> <td>STANDARD ENCLOSURE</td> <td colspan="3">ATAH884C</td> </tr> </table>		DRWN BY	DATE	CUSTOMER	DWG			DRH	06/06/17		AH884C			SCALE		DESCRIPTION	PART NUMBER			DO NOT SCALE		STANDARD ENCLOSURE	ATAH884C			<p>Robroy Enclosures 500 Maple Street Belding, Michigan 48809 Phone: 616-794-0700 Fax: 616-749-3378</p>																					
DRWN BY	DATE	CUSTOMER	DWG																																												
DRH	06/06/17		AH884C																																												
SCALE		DESCRIPTION	PART NUMBER																																												
DO NOT SCALE		STANDARD ENCLOSURE	ATAH884C																																												



BACK SIDE  
(1) MOUNTING FOOT REMOVED FOR CLARITY  
TORQUE SCREWS TO 10-14 IN.-LBS.

PARTS LIST			
ITEM	QTY	PART NUMBER	DESCRIPTION
1	1	WPPC884BOX	AH884 MOLDED BOX
2	1	WPPC884U	AH884C GASKETED COVER
3	8	RMAHINS10-32UNF	#10-32 UNF COVER & BACK PANEL BRASS INSERT
4	4	RMAHINS1/4-20UNC	1/4-20 UNC MOUNTING FOOT BRASS INSERT
5	1	RMLABBLANK3X2	AH884C LABEL
6	4	RMAHFOOT-001	MOUNTING FOOT (INCLUDED WITH WPPCACCKIT)
7	4	RMSC1/4-20X.5FLPH	1/4-20 x 1/2 FLAT HEAD PHILLIPS MACHINE SCREW
8	4	RMAHLATCH-001	LATCH
9	1	WPPCACCKIT	POLYCARBONATE ACCESSORY KIT (INCLUDES MOUNTING FEET)

THIS DRAWING IS THE SOLE AND EXCLUSIVE PROPERTY OF ROBROY ENCLOSURES. NO PART OF THIS DRAWING MAY BE REPRODUCED, DISTRIBUTED, OR PUBLICALLY DISPLAYED IN ANY FORM OR BY ANY MEANS WITHOUT THE EXPRESS WRITTEN PERMISSION OF ROBROY ENCLOSURES. ALL RIGHTS RESERVED. UNDER THE COPYRIGHT LAWS. COPYRIGHT © 2017 ROBROY ENCLOSURES

**SPECIAL REQUIREMENTS**

**ASSEMBLY:**  
1. (1) POLYCARBONATE ACCESSORY KIT (WPPCACCKIT) SHALL BE PACKAGED LOOSELY INSIDE ENCLOSURE

**HARDWARE INCLUDED:**  
 (9) (4) 1/4-20 x 1/2 FLAT HEAD PHILLIPS MACHINE SCREW (RMSC1/4-20X.5FLPH)  
 (4) #10-32 x 5/8 PAN HEAD PHILLIPS MACHINE SCREW (RMSC10/32X5/8SS)  
 (4) #10-32 x 3/8 PAN HEAD SCREW (RMSC10/32X3/8ZN)  
 (4) #10 WASHER (RMWAS10ZN)  
 2. (1) STYROFOAM SHEET SHALL BE PLACED ON TOP OF COVER INSIDE CARTON

NEMA 250: TYPE 1, 3R, 4, 4X, 6P, 12  
IEC 60529: IP66, IP68  
COLOR: N/A  
COLOR STANDARD: PANTONE 7541 C

STANDARD P/N: AH884C  
CUSTOMER DWG:

MATERIAL: POLYCARBONATE

ALL DIMENSIONS ARE IN INCHES UNLESS OTHERWISE SPECIFIED		TOLERANCES UNLESS SPECIFIED		.XX ± 0.03	.XXX ± 0.010
<b>AttaBox</b>		Robroy Enclosures		500 Maple Street Belding, Michigan 48809 Phone: 616-794-0700 Fax: 616-749-3378	
DRAWN BY: DRH	DATE: 06/06/17	CUSTOMER:		DWG: AH884C	
SCALE: DO NOT SCALE	DESCRIPTION: STANDARD ENCLOSURE	PART NUMBER: ATAH884C			