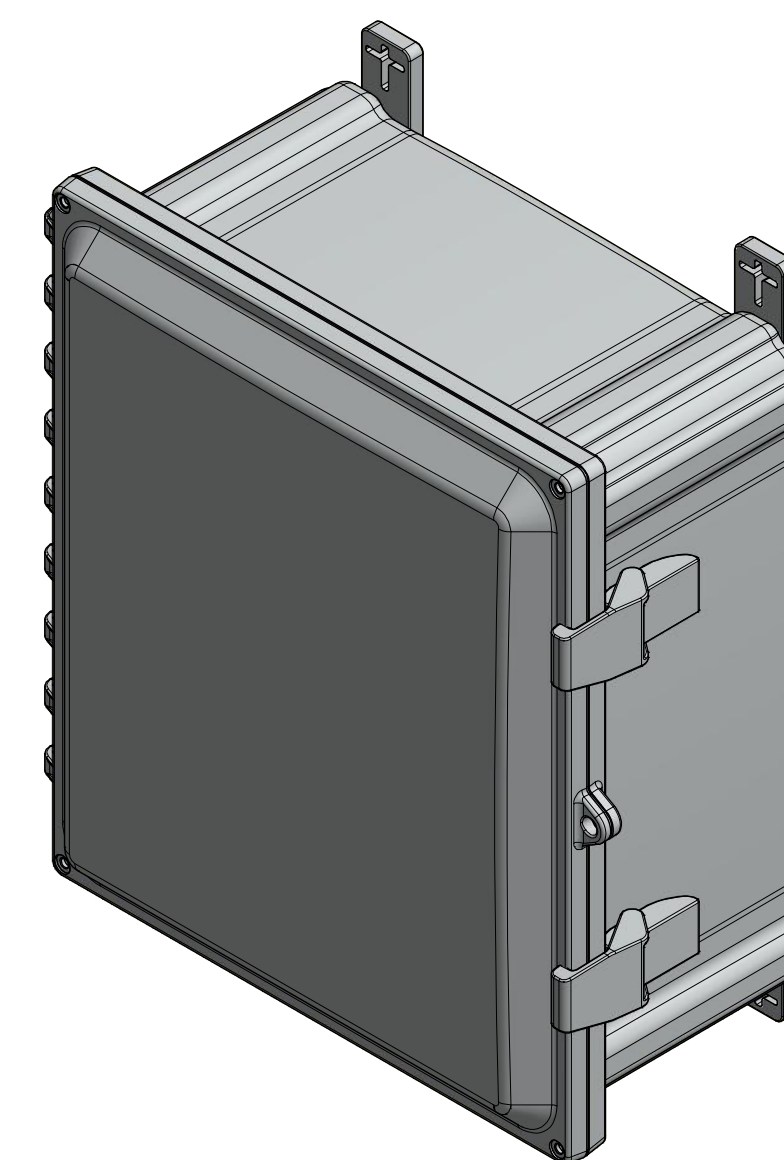
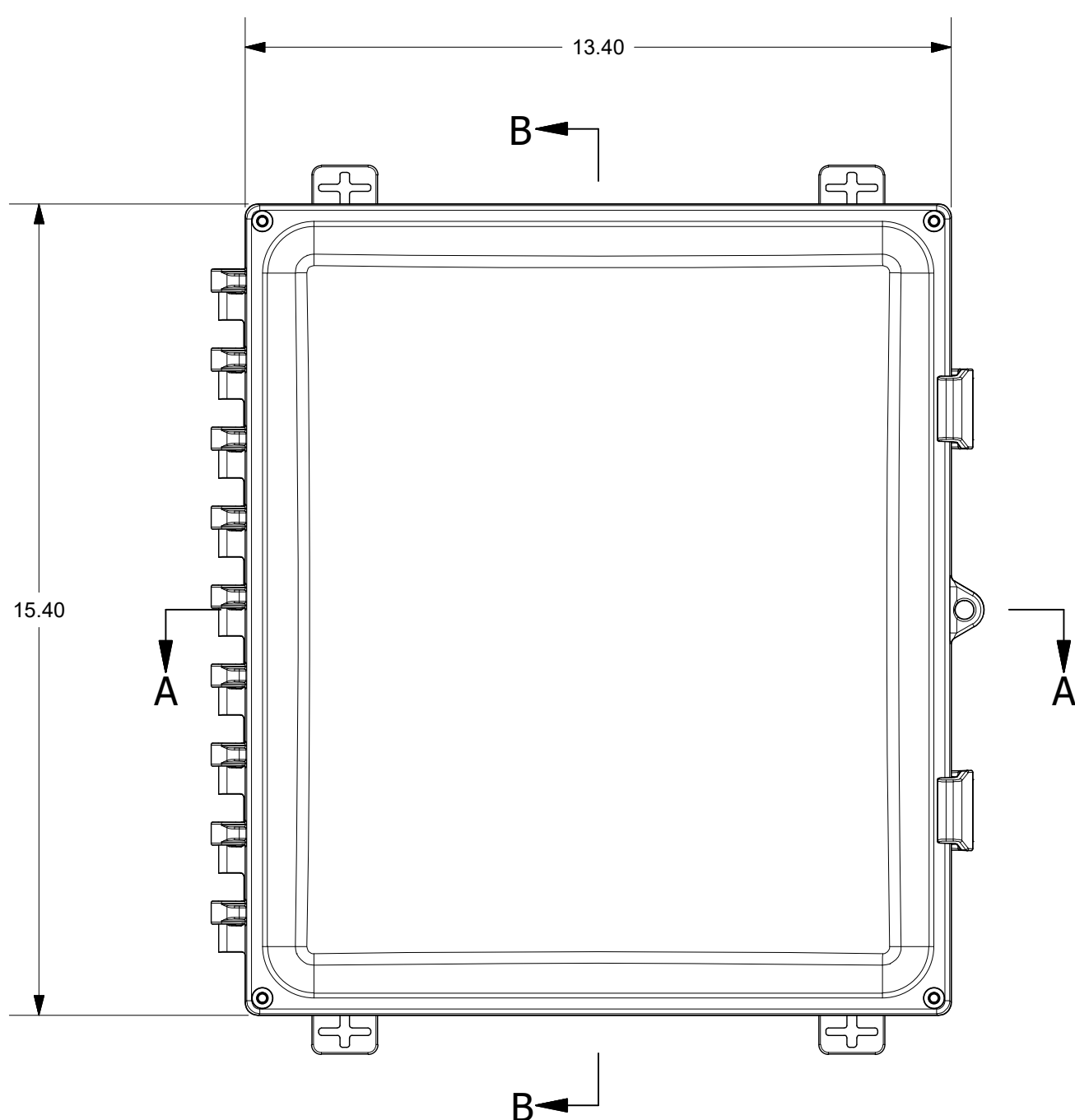
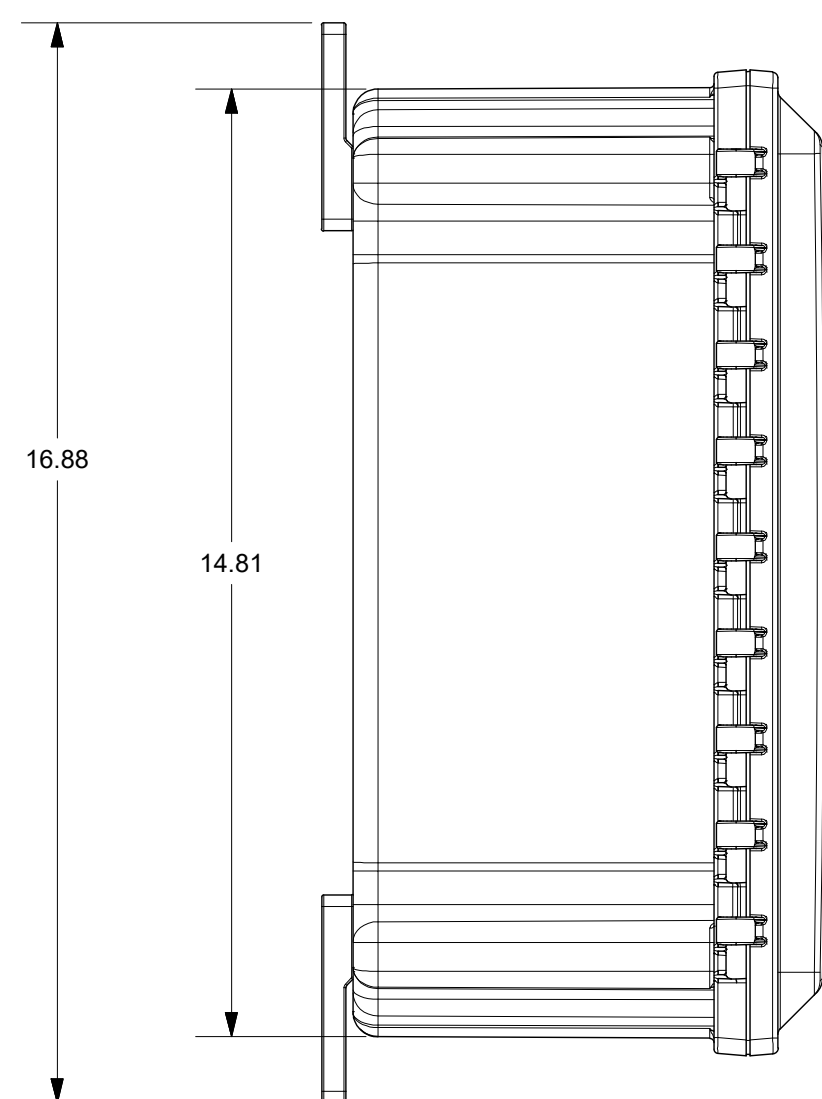


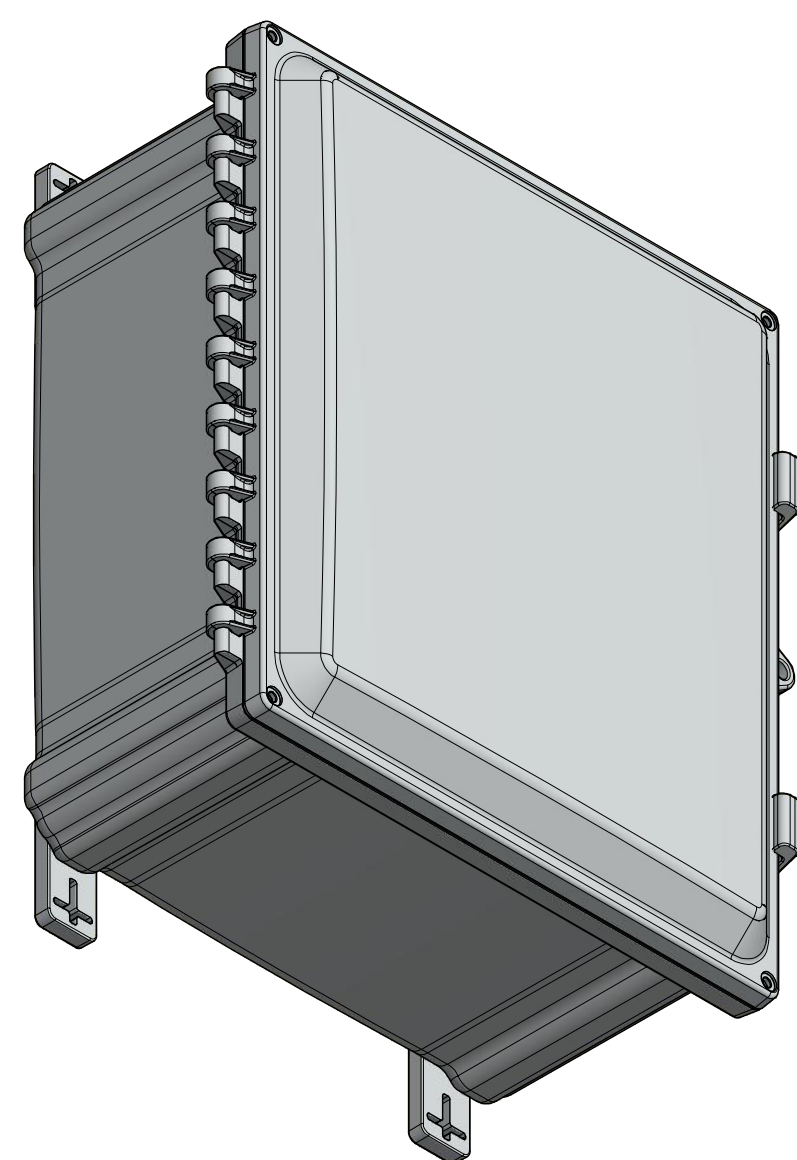
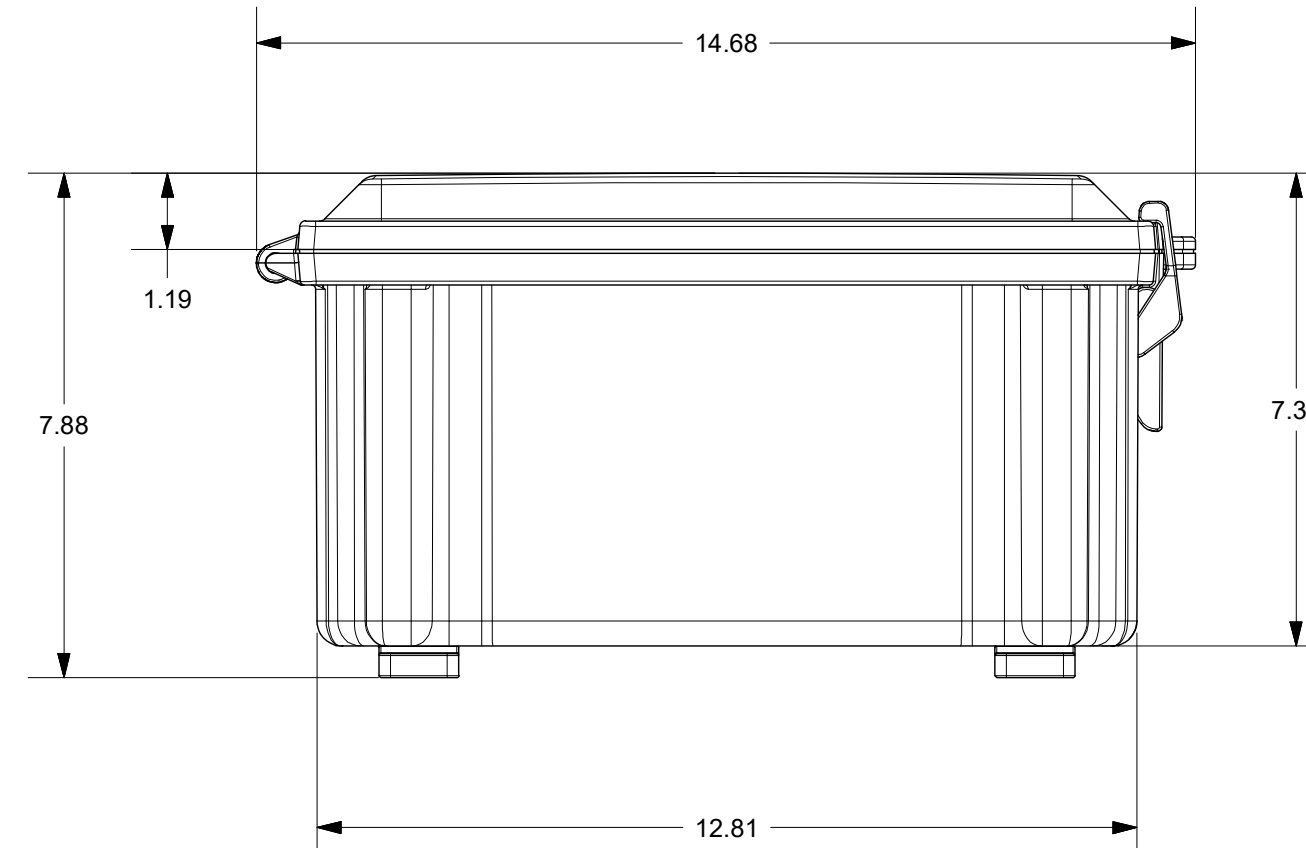
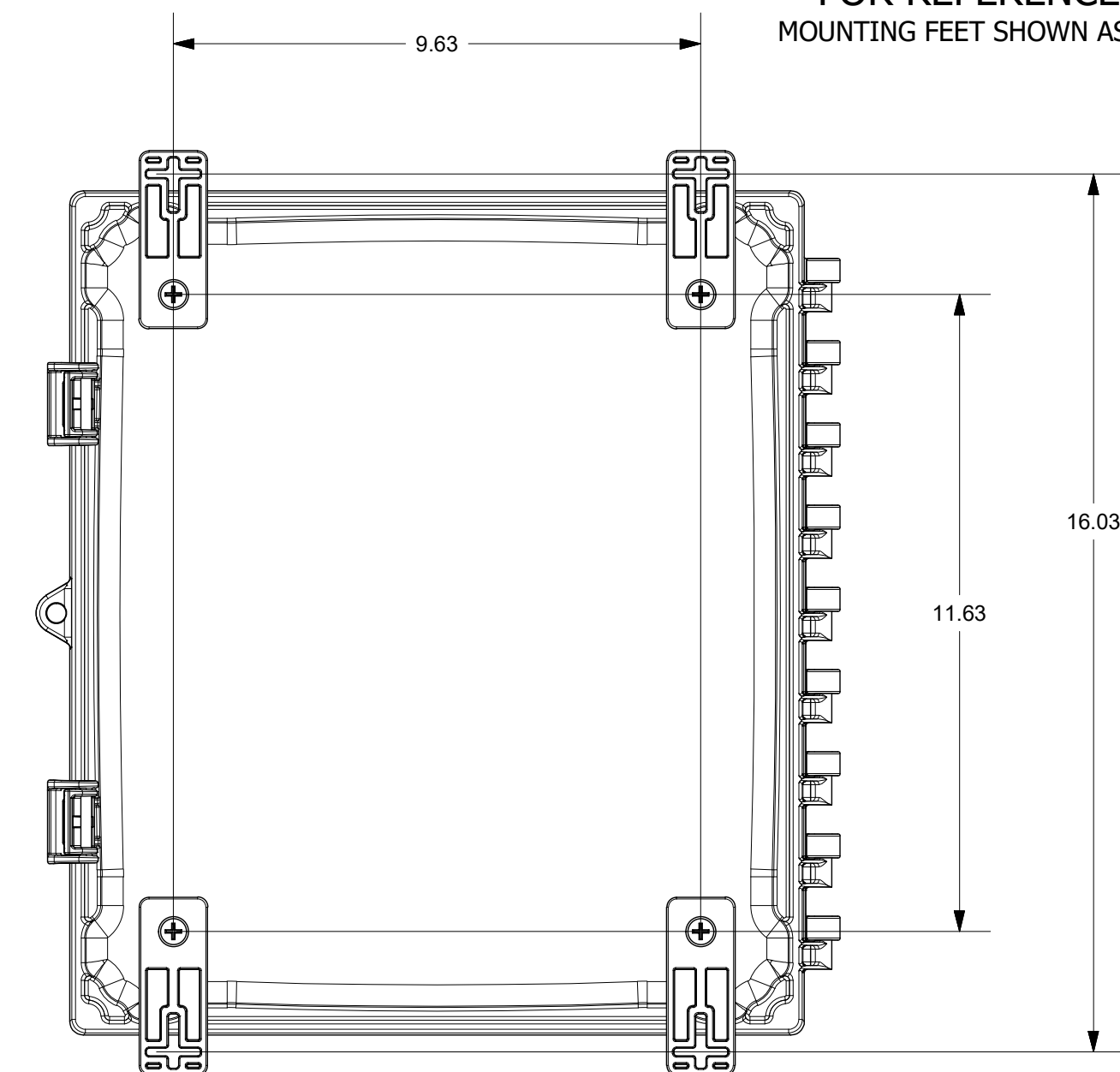
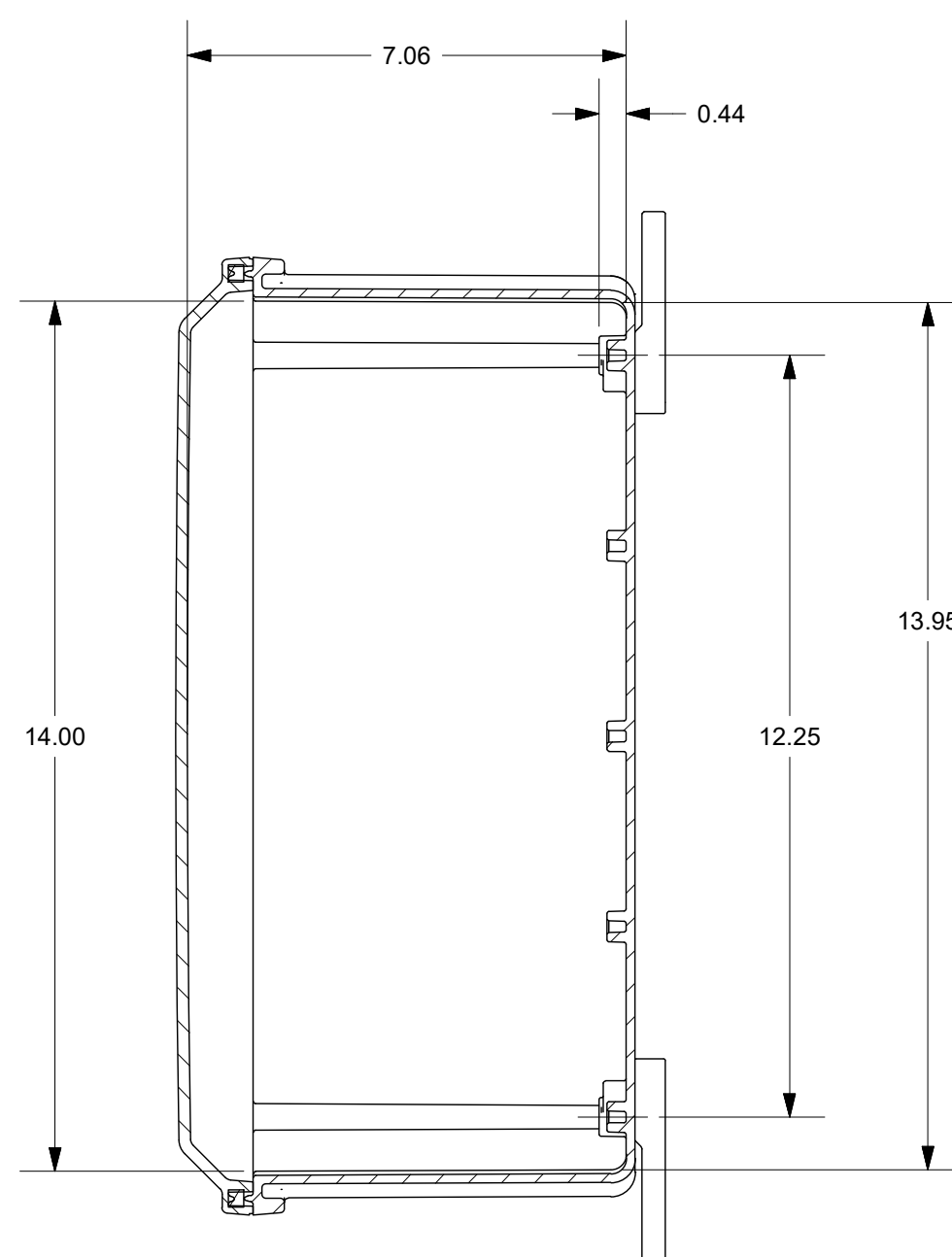
SECTION A-A



FOR REFERENCE ONLY
MOUNTING FEET SHOWN AS INSTALLED



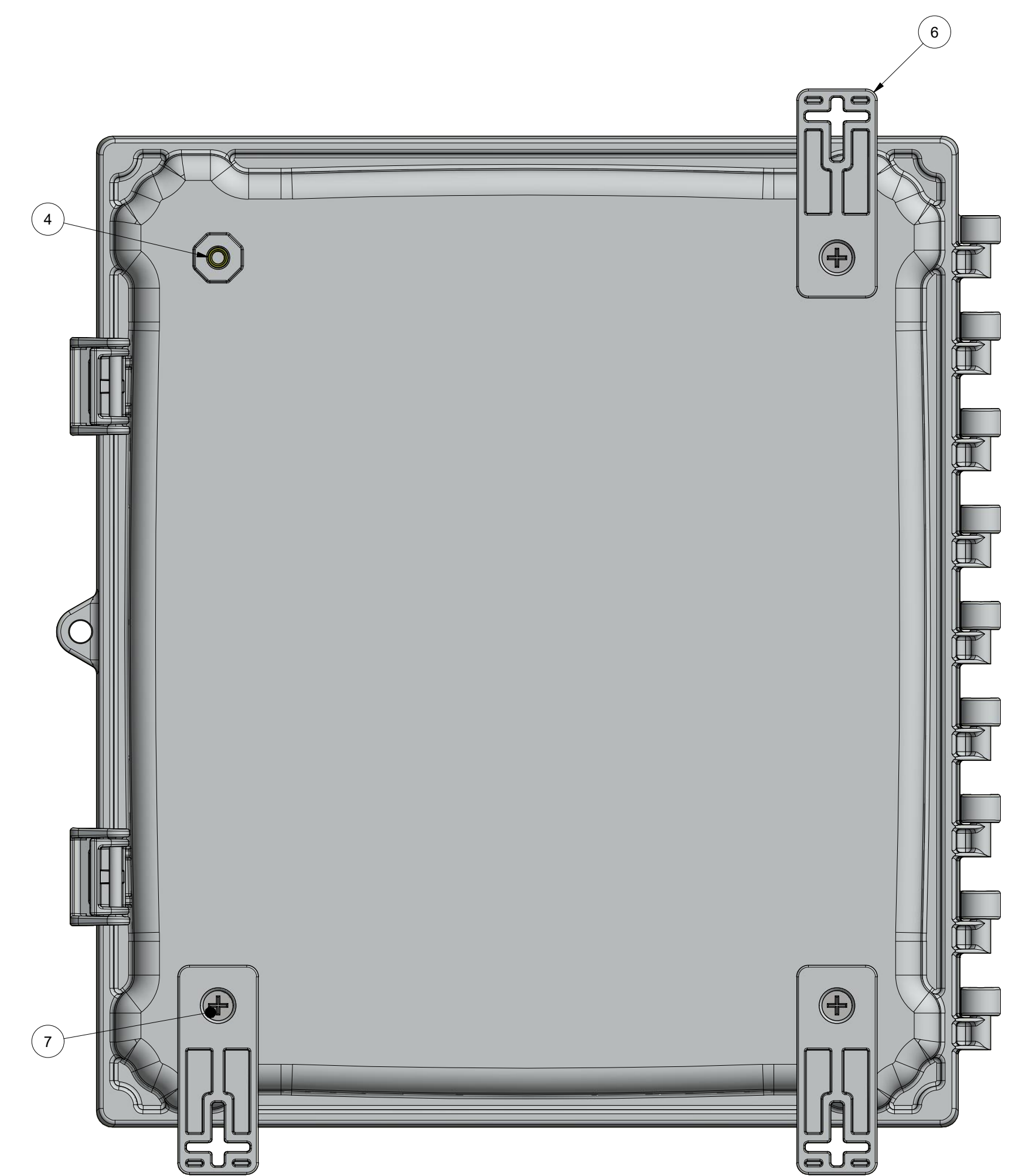
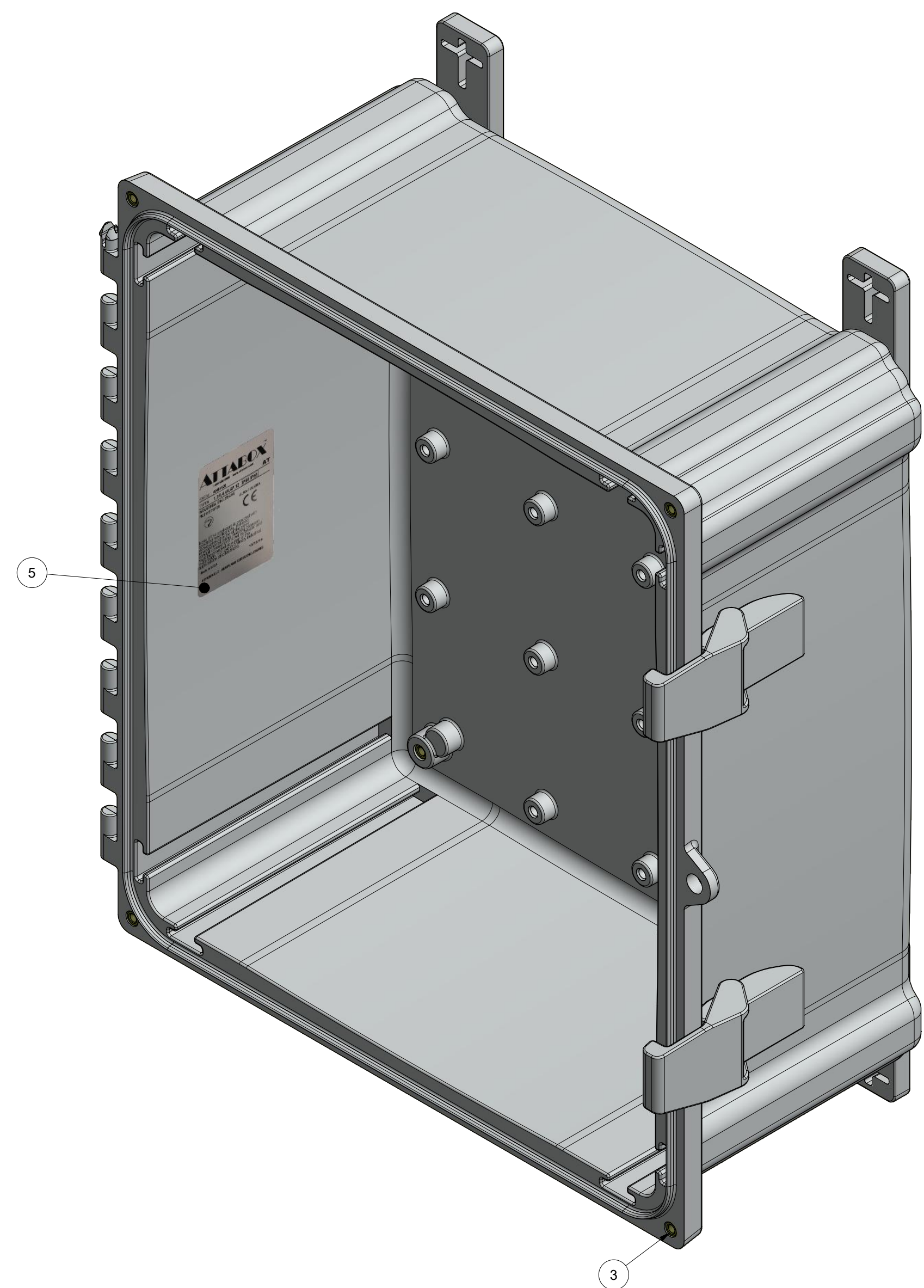
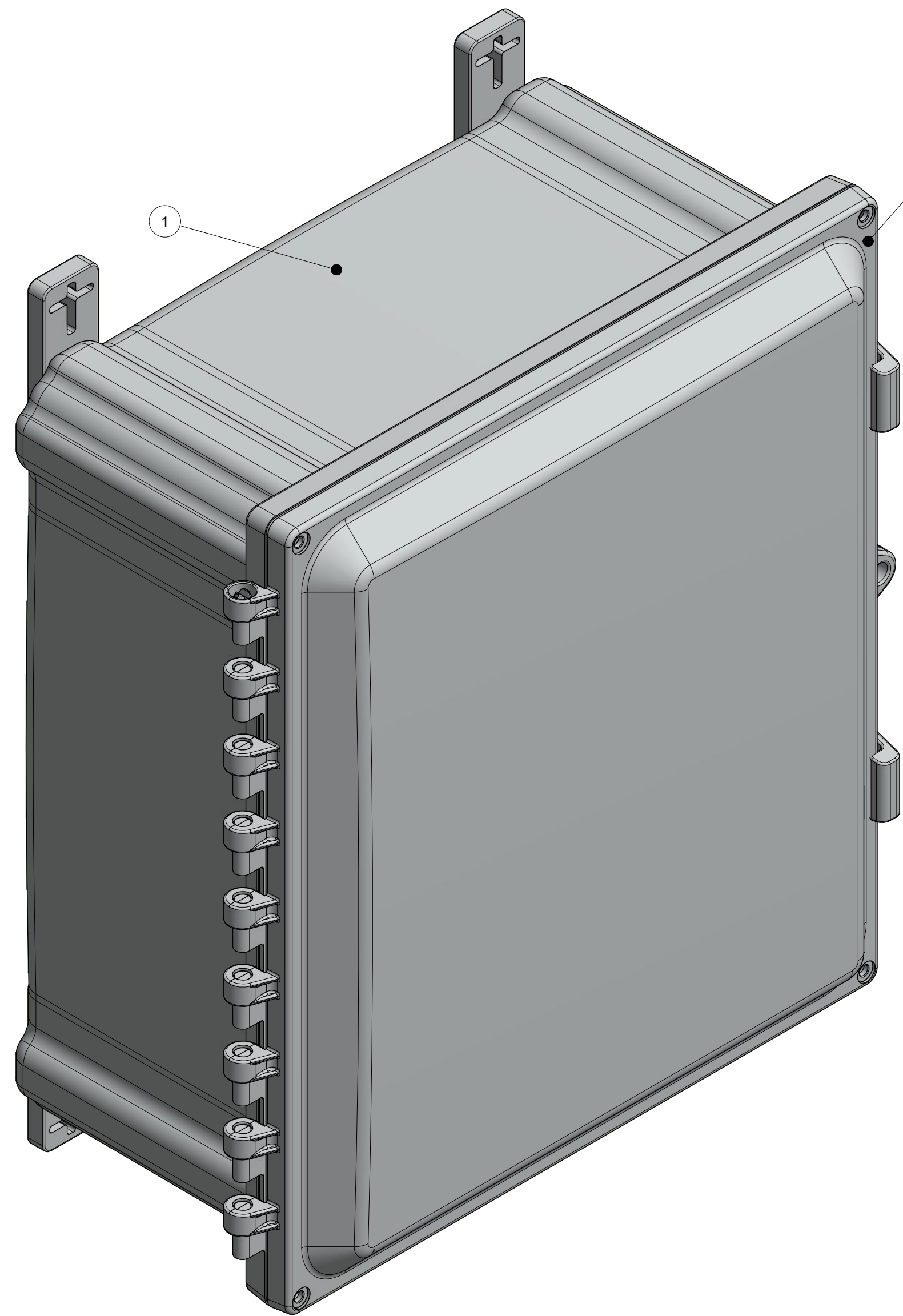
SECTION B-B



THIS DRAWING IS THE SOLE AND EXCLUSIVE PROPERTY OF ROBROY ENCLOSURES. NO PART OF THIS DRAWING MAY BE REPRODUCED, DISTRIBUTED, OR PUBLICALLY DISPLAYED IN ANY FORM OR BY ANY MEANS WITHOUT THE EXPRESS WRITTEN PERMISSION OF ROBROY ENCLOSURES. ALL RIGHTS RESERVED. UNDER THE COPYRIGHT LAWS. COPYRIGHT © 2016 ROBROY ENCLOSURES

| SPECIAL REQUIREMENTS | | | | NEMA 250: TYPE 1, 3R, 4, 4X, 6P, 12 IEC 60529: IP66, IP68 | | STANDARD P/N: AH14126 | | ALL DIMENSIONS ARE IN INCHES UNLESS OTHERWISE SPECIFIED | | TOLERANCES UNLESS SPECIFIED | |
|---|-------------|------|-----|--|--|---------------------------------|--|--|--|--------------------------------|--|
| ASSEMBLY: 1 (1) ACCESSORY KIT (ATAHAK) SHALL BE PACKAGED LOOSELY INSIDE ENCLOSURE HARDWARE INCLUDED: - (4) #14-20 x 1/2 FLAT HEAD PHILLIPS MACHINE SCREW (RMSC114-20X.5FLPH) - (4) #10-32 x 5/8 PAN HEAD PHILLIPS MACHINE SCREW (RMSC10132X5/8SS) - (4) #10-32 x 3/8 PAN HEAD SCREW (RMSC10132X3/8ZN) - (4) #10 WASHER (RMWAS10ZN) 2 (1) STYROFOAM SHEET SHALL BE PLACED ON TOP OF COVER INSIDE CARTON | | | | COLOR: N/A COLOR STANDARD: PANTONE 7541 C | | CUSTOMER DWG: | | | | .XX ± 0.03 .XXX ± 0.010 | |
| MATERIAL: POLYCARBONATE | | | | REVISION HISTORY | | DRAWN BY: AJC DATE: 11/26/16 | | CUSTOMER | | DWG: AH14126 | |
| REV | DESCRIPTION | DATE | ENG | SCALE | | DESCRIPTION | | PART NUMBER | | | |
| - | - | - | - | DO NOT SCALE | | STANDARD ENCLOSURE | | ATAH14126 | | | |





BACK SIDE
(1) MOUNTING FOOT REMOVED FOR CLARITY
TORQUE SCREWS TO 10-14 IN.-LBS

| PARTS LIST | | | |
|------------|-----|-------------------|---|
| ITEM | QTY | PART NUMBER | DESCRIPTION |
| 1 | 1 | WPPC14126BOX | AH14126 MOLDED BOX |
| 2 | 1 | WPPC14126U | AH14126 GASKETED COVER |
| 3 | 8 | RMAHINS10-32UNF | #10-32 UNF COVER & BACK PANEL BRASS INSERT |
| 4 | 4 | RMAHINS1/4-20UNC | 1/4-20 UNC MOUNTING FOOT BRASS INSERT |
| 5 | 1 | RMLABBLANK3X2 | AH14126 LABEL |
| 6 | 4 | RMAHFOOT-001 | MOUNTING FOOT (INCLUDED IN ATAHAK) |
| 7 | 4 | RMSC1/4-20X.5FLPH | 1/4-20 x 1/2 FLAT HEAD PHILLIPS MACHINE SCREW |
| 8 | 1 | ATAHAK | ACCESSORY KIT (INCLUDES MOUNTING FEET) |

THIS DRAWING IS THE SOLE AND EXCLUSIVE PROPERTY OF ROBROY ENCLOSURES. NO PART OF THIS DRAWING MAY BE REPRODUCED, DISTRIBUTED, OR PUBLICALLY DISPLAYED IN ANY FORM OR BY ANY MEANS WITHOUT THE EXPRESS WRITTEN PERMISSION OF ROBROY ENCLOSURES. ALL RIGHTS RESERVED. UNDER THE COPYRIGHT LAWS. COPYRIGHT © 2016 ROBROY ENCLOSURES.

SPECIAL REQUIREMENTS
ASSEMBLY:
 1 (1) ACCESSORY KIT (ATAHAK) SHALL BE PACKAGED LOOSELY INSIDE ENCLOSURE
 2 (1) STYROFOAM SHEET SHALL BE PLACED ON TOP OF COVER INSIDE CARTON

NEMA 250: TYPE 1, 3R, 4, 4X, 6P, 12
 IEC 60529: IP66, IP68
 COLOR: N/A
 COLOR STANDARD: PANTONE 7541 C

STANDARD P/N: AH14126
 CUSTOMER DWG:

ALL DIMENSIONS ARE IN INCHES UNLESS OTHERWISE SPECIFIED
 TOLERANCES UNLESS SPECIFIED .XX ± 0.03 .XXX ± 0.010

MATERIAL: POLYCARBONATE



| | | | |
|---------------------|---------------------------------|------------------------|--------------|
| DRAWN BY: AJC | DATE: 11/23/16 | CUSTOMER: | DWG: AH14126 |
| SCALE: DO NOT SCALE | DESCRIPTION: STANDARD ENCLOSURE | PART NUMBER: ATAH14126 | |