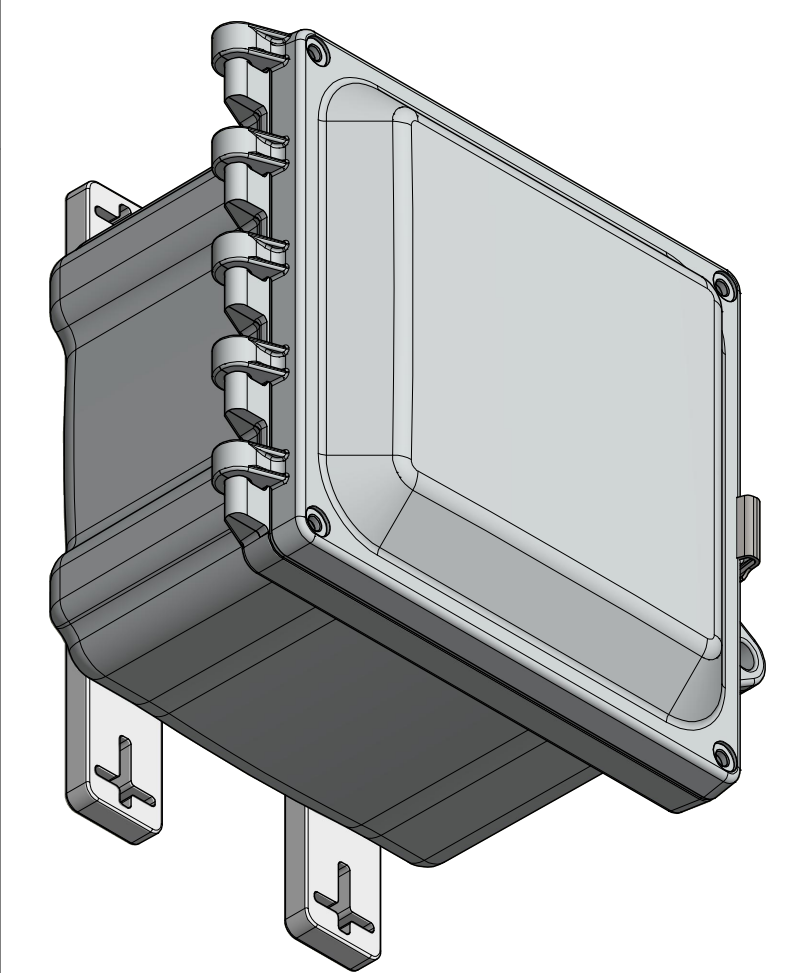
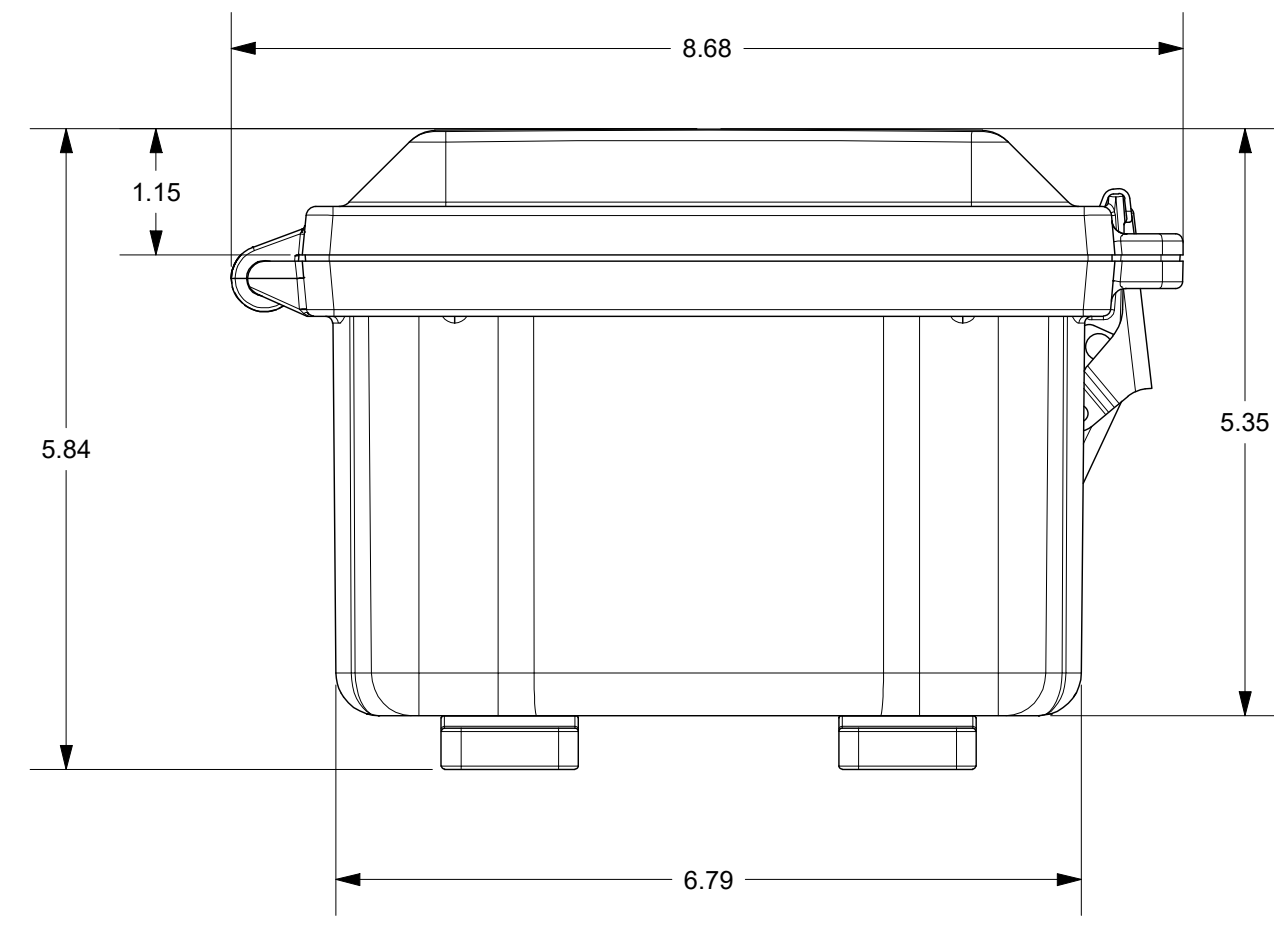
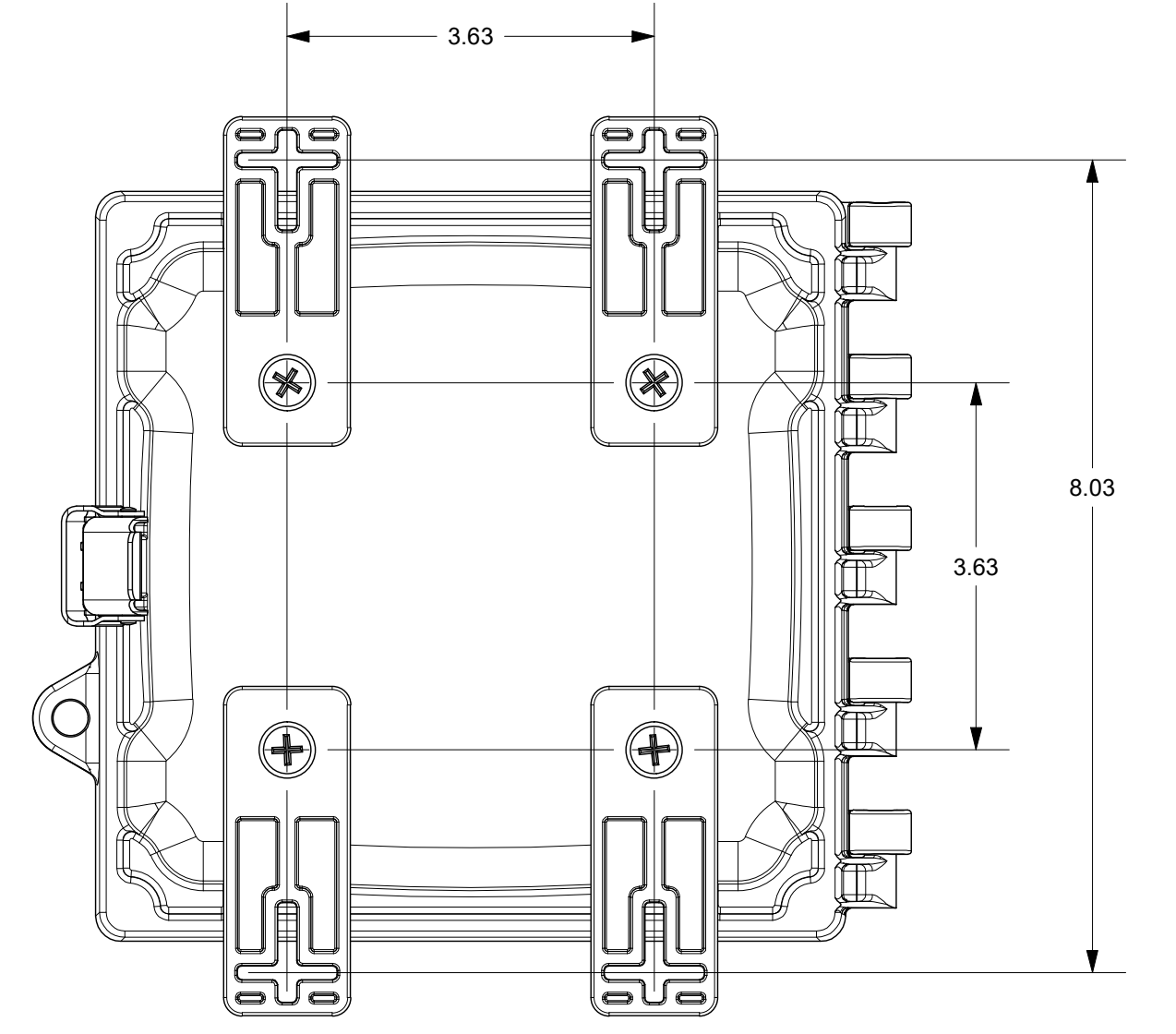
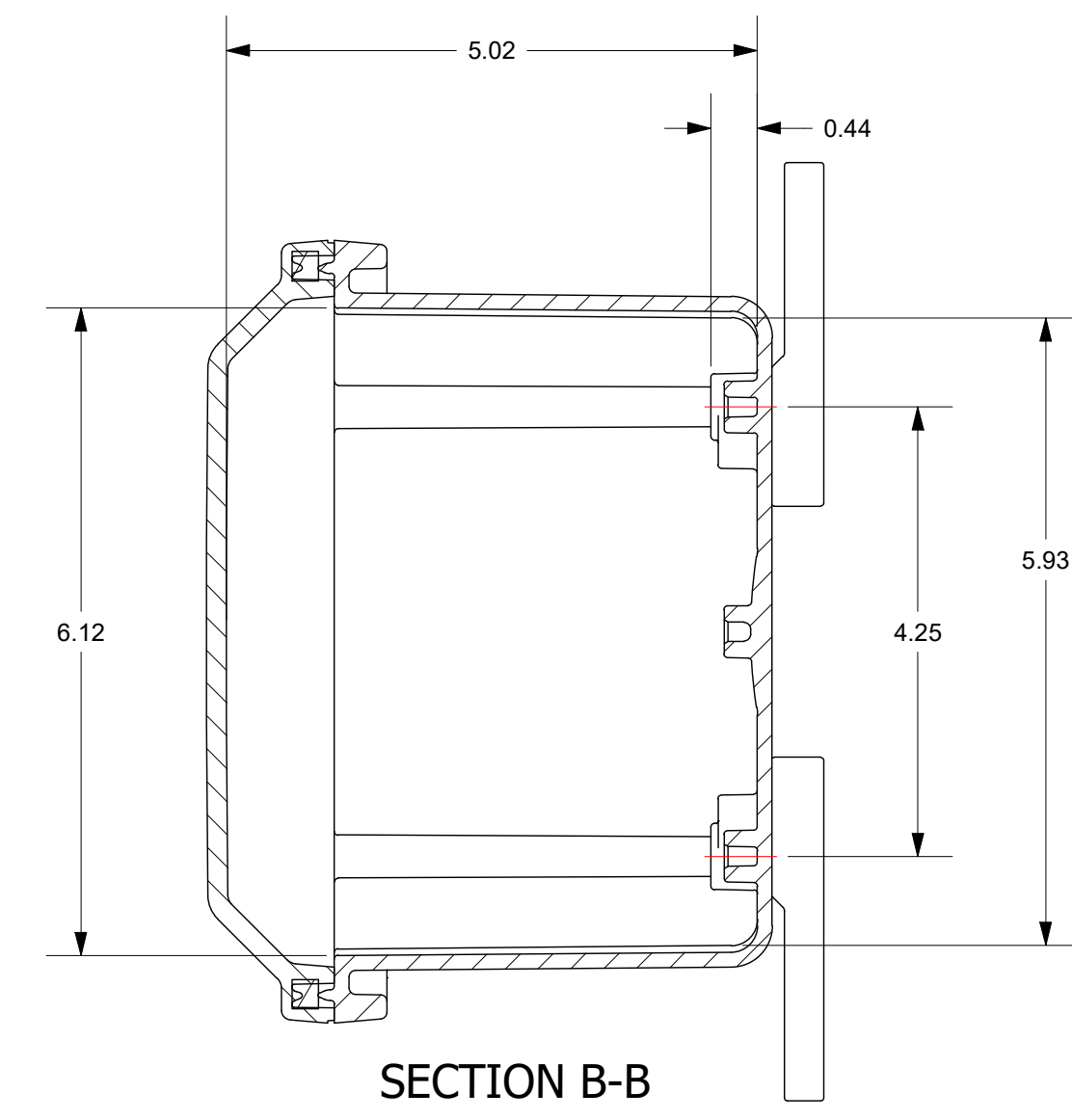
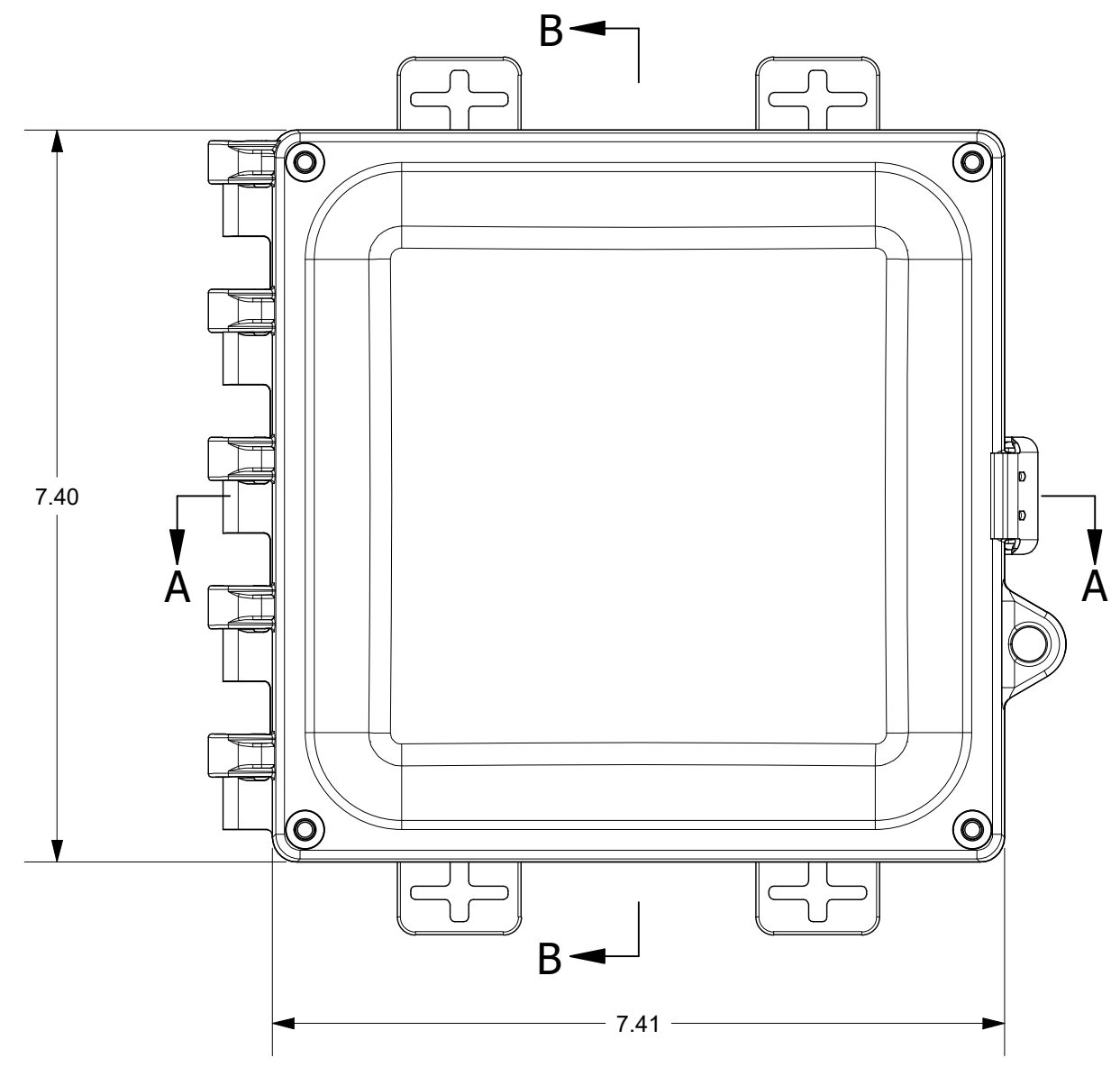
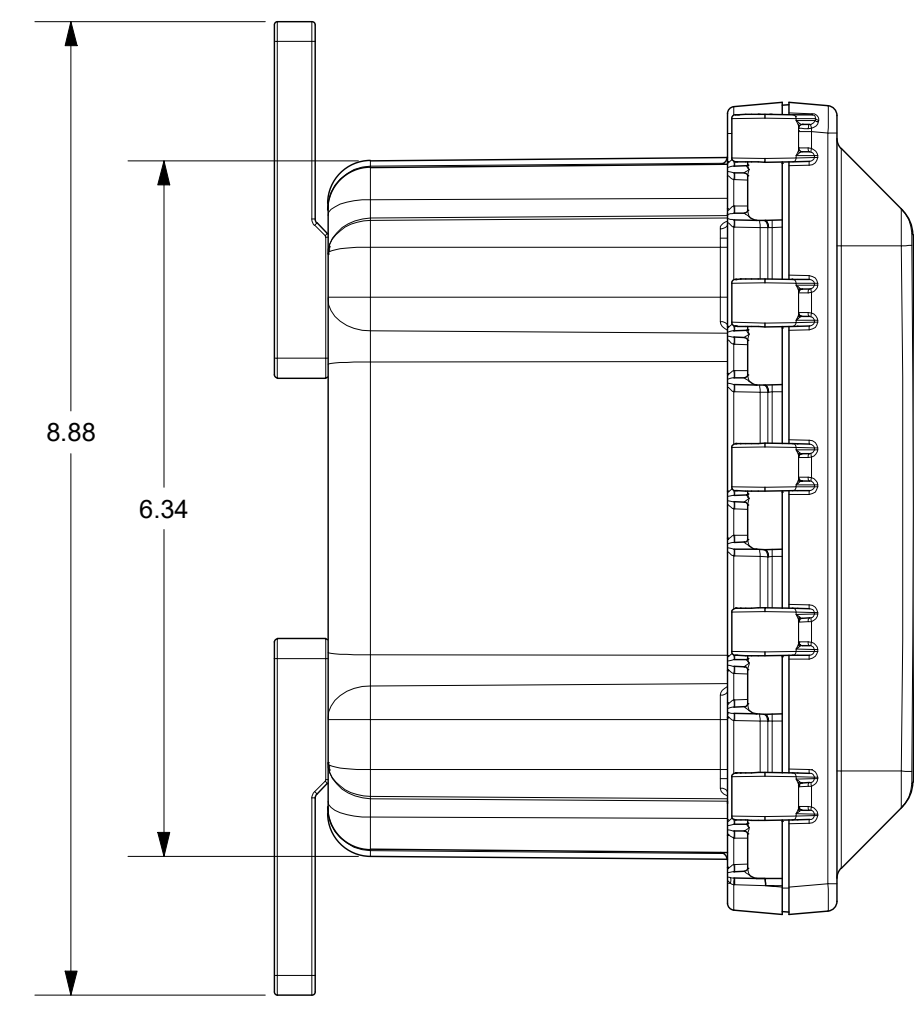



FOR REFERENCE ONLY  
MOUNTING FEET SHOWN AS INSTALLED



THIS DRAWING IS THE SOLE AND EXCLUSIVE PROPERTY OF ROBROY ENCLOSURES. NO PART OF THIS DRAWING MAY BE REPRODUCED, DISTRIBUTED, OR PUBLICALLY DISPLAYED IN ANY FORM OR BY ANY MEANS WITHOUT THE EXPRESS WRITTEN PERMISSION OF ROBROY ENCLOSURES. ALL RIGHTS RESERVED. UNDER THE COPYRIGHT LAWS. COPYRIGHT © 2020 ROBROY ENCLOSURES.

**SPECIAL REQUIREMENTS**

ASSEMBLY:  
1. (1) ACCESSORY KIT (WPPCACCKIT) SHALL BE PACKAGED LOOSELY INSIDE ENCLOSURE  
HARDWARE INCLUDED:  
-(4) #14-20 x 1/2 FLAT HEAD PHILLIPS MACHINE SCREW (RMSC14-20X.5FLPH)  
-(4) #10-32 x 3/8 PAN HEAD PHILLIPS MACHINE SCREW (RMSC10/32X5/8SS)  
-(4) #10-32 x 3/8 PAN HEAD SCREW (RMSC10/32X3/8ZN)  
-(4) #10 WASHER (RMMWAS10ZN)  
2. (1) STYROFOAM SHEET SHALL BE PLACED ON TOP OF COVER INSIDE CARTON

NEMA 250: TYPE 1, 3R, 4, 4X, 12 IEC 60529: IP66		STANDARD P/N: AH664SS	ALL DIMENSIONS ARE IN INCHES UNLESS OTHERWISE SPECIFIED		TOLERANCES UNLESS SPECIFIED	.XX ± 0.03	.XXX ± 0.010	
COLOR: N/A COLOR STANDARD: PANTONE 7541 C		CUSTOMER DWG:	 <b>AttaBox</b> A ROBROY ENCLOSURES™ BRAND					<b>Robroy Enclosures</b> 500 Maple Street Belding, Michigan 48809 Phone: 616-794-0700 Fax: 616-749-3378
MATERIAL: POLYCARBONATE		REVISION HISTORY	DRAWN BY	DATE	CUSTOMER	DWG		
REV	DESCRIPTION	DATE	AA	8/15/20		AH664SS		
SCALE	DO NOT SCALE	DESCRIPTION	PART NUMBER		ATAH664SS			
STANDARD ENCLOSURE								