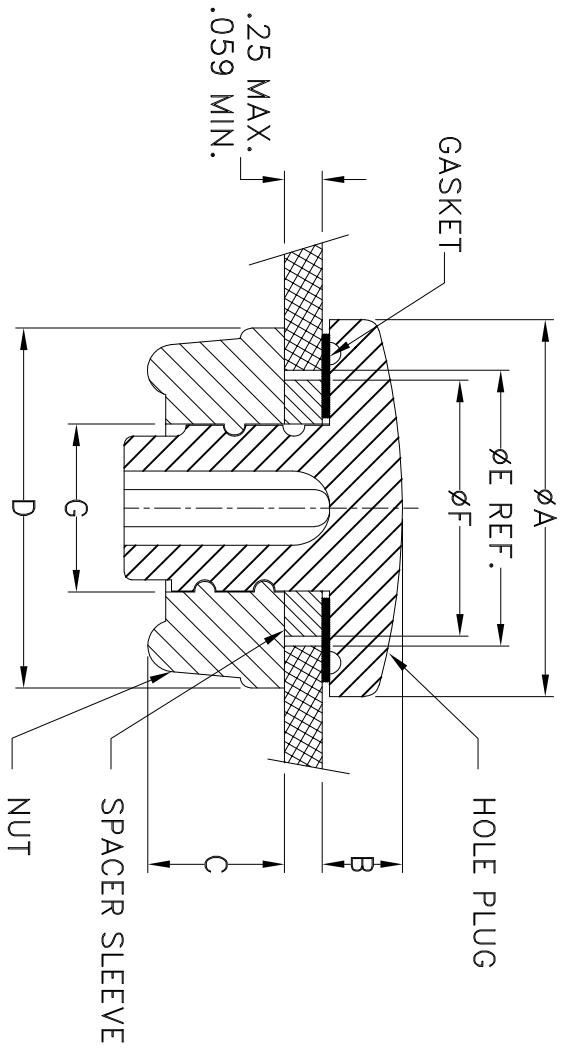


KIT NUMBER	CONFIGURATION	ØA	B	C	D	ØE REF. NOM HOLE DIA. RANGE	ØF	ØG	COMMON INDUSTRY APPLICATIONS
HPSERIES1	HP1	1.00"	0.22"	0.35"	0.88"	0.5" - 0.56"	N/A		1" DIA. HOLE
	HP2	(25.40)	(5.59)	(8.89)	(22.35)	(12.70-14.29)			
	HP3					0.63" - 0.69"	0.56" (14.22)	0.44"	3/8" DIA. HOLE
						0.75" - 0.81"	0.68" (17.27)		
HPSERIES5	HP3.5	1.20"	0.22"	0.33"	1.04"	0.88"	N/A	0.81"	1/2" CONDUIT
		(30.48)	(5.59)	(8.38)	(26.39)	(22.35)		(20.57)	
HPSERIES2	HP4	1.50"	0.22"	0.38"	1.38"	0.88" - 1"	N/A		1/2" CONDUIT
	HP5	(38.10)	(5.59)	(9.63)	(35.05)	(22.35-25.4)			22mm PB
	HP6					1.06" - 1.12"	1.03" (26.16)	0.85"	3/4" CONDUIT
						1.22" - 1.28"	1.19" (30.22)		30mm PB
HPSERIES3	HP7	2.00"	0.22"	0.38"	1.88"	1.38" - 1.50"	N/A	1.35"	1" CONDUIT
	HP8	(50.80)	(5.59)	(9.63)	(47.75)	(35.05-38.10)		(34.29)	1-1/2" CONDUIT
						1.69" - 1.75"	1.65" (4.191)		
HPSERIES4	HP9	2.75"	0.22"	0.41"	2.63"	2.00" - 2.12"	N/A	1.97"	1-1/2" CONDUIT
	HP10	(69.85)	(5.59)	(10.41)	(66.67)	(50.80-53.85)		(50.04)	2" CONDUIT
						2.25" - 2.36"	2.44" (61.89)		
HPSERIES5	HP11	3.38"	0.22"	0.34"	3.38"	3.00"	N/A	2.97"	2-1/2" CONDUIT
		(85.85)	(5.59)	(8.63)	(85.85)	(76.20)		(75.44)	
HPSERIES6	HP12	4.00"	0.22"	0.34"	4.00"	3.62"	N/A	3.59"	3" CONDUIT
		(101.60)	(5.59)	(8.63)	(101.60)	(91.95)		(91.19)	
HPSERIES7	HP13	4.50"	0.22"	0.38"	4.50"	4.12"	N/A	4.09"	3-1/2" CONDUIT
		(114.30)	(5.59)	(9.63)	(114.30)	(104.65)		(103.88)	
HPSERIES8	HP14	5.00"	0.22"	0.41"	5.00"	4.62"	N/A	4.59"	4" CONDUIT
		(127.00)	(5.59)	(10.41)	(127.00)	(117.35)		(116.58)	



MATERIAL		DATE		DATE		DATE		DATE		DATE	
REVISION RECORD		BY		BY		BY		BY		BY	
DATE		DATE		DATE		DATE		DATE		DATE	
SCALE		SCALE		SCALE		SCALE		SCALE		SCALE	
DO NOT SCALE		DO NOT SCALE		DO NOT SCALE		DO NOT SCALE		DO NOT SCALE		DO NOT SCALE	
ATTABOX ENCLUSURES				REVISIONS				REVISIONS			
CUSTOMER				PART NAME				PART NO.			
HOLE PLUG ASSY, KIT				REHPSERIES							