

Proven Protection When “Big is Better!”

Triton™ Series enclosures are used where heavy industrial equipment needs protection. These fiberglass-reinforced polyester enclosures are ideal for the mounting of high voltage electrical systems where wiring needs sufficient bend radius to enter the cabinet. The **Triton™** series is rated for applications involving diverse environmental conditions involving water, chemical wash-down, wind-blown dust, rain, sleet and external ice formation. An aggressive sealing system is used to meet these rigorous demands. **Triton’s™** stainless steel hinged and latched cover is a natural choice for process control where moisture or chemical environments require unique protection. Integral mounting feet enable easy installation.

In addition to wall mounted control enclosures, the **Triton™** Series offers large and freestanding enclosures. These are dimensionally large enclosures (48” x 36” to 90” x 72”). The **Triton™** Series has been designed for use in larger industrial control systems and machine tool control panels. They provide a rugged cabinet for use in both indoor and outdoor applications and across a range of difficult environments. These larger size wall mount or freestanding enclosures are designed for the maximum available space for electrical, hydraulic, or mechanical control circuits.

TRITON SERIES ATTRIBUTES

- Available in 2 cover options:
 1. Opaque cover
 2. Flush bonded window
- Fiberglass reinforced polyester material
- Memory retaining polyurethane gasket
- 304 series stainless steel hardware
- Integral mounting feet
- Molded in panel mounting inserts or studs
- High temperature, flame-retardant, non corrosive, environmental designs
- Wall mount or free standing configurations



Triton (T)



Triton | Flush Bonded Window (TW)



Triton | Series Free-Standing (T_FS)

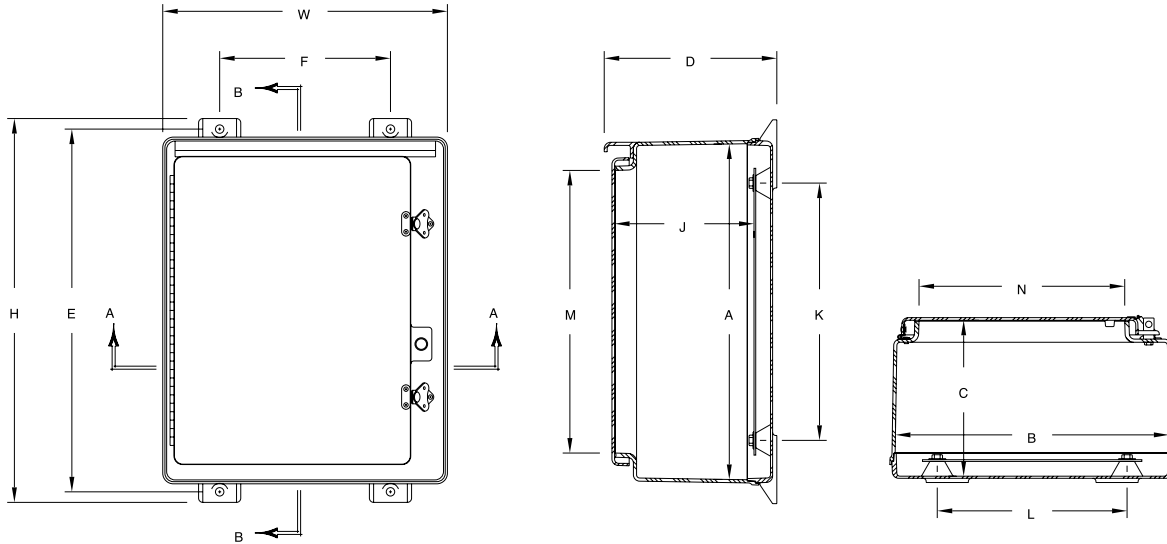
TRITON SERIES INDUSTRY STANDARDS

UL/cUL File #	E64358
NEMA Ratings (UL508A, UL50 & UL50e)	1, 3, 3R, 4X, 12
CSA Std. C22.2 File #	LR069014
IEC 60529 Ratings	IP66 per UL File# E362920
UL 1741 File #	E333478
Temperature Range	(-76° F to +274° F) (-60° C to +134° C)
Flammability Rating	UL94-5V
Self Extinguishing	Non-Halogenated, Non-flame propagating
NFPA No. 101 Flame Spread	Class A (1)
Impact Rating	IK10
Certifications	UL, IEC, CSA, REACH, RoHS
Outdoor UV Exposure (UL 746C)	(f1) Rated
Chemical Resistance	Visit AttaBox.com



CONSTRUCTION

Material (Box & Cover)	Hot Compression Molded Fiberglass Reinforced Polyester (Thermoset)
Gasket	Poured polyurethane seamless gasket
Back Panel Screw Size	#3/8-16 x 1/2 Hex Bolt
Hinge and Latch Hardware	304 Stainless Steel
Soft Edge Design	Rounded Edges, Minimal Protrusions Or Exposed Pocket Areas



TRITON SERIES OPAQUE COVER ENCLOSURES

SIZE ID NUMBER	OVERALL H X W X D	INSIDE A X B X C	MOUNTING E X F	J	K	L	ENCLOSURE OPENING M X N	NO. OF LATCHES	SHIPPING WEIGHT	PANEL NUMBER
T24208HWT	27.00 x 21.24 x 9.90 (686 x 539 x 252)	24.05 x 20.39 x 9.25 (611 x 518 x 235)	25.75 x 14.00 (654 x 356)	8.25 (209)	19.25 (489)	15.25 (387)	21.25 x 16.00 (540 x 406)	2	32 lbs.	BPT2420**
T242010HWT*	27.00 x 21.24 x 11.90 (686 x 539 x 302)	24.05 x 20.39 x 11.25 (611 x 518 x 286)	25.75 x 14.00 (654 x 356)	8.25 (209)	19.25 (489)	15.25 (387)	21.25 x 16.00 (540 x 406)	2	37 lbs.	BPT2420**
T242410HWT	27.00 x 25.24 x 11.90 (686 x 641 x 302)	24.05 x 24.39 x 11.25 (611 x 619 x 286)	25.75 x 17.87 (654 x 454)	10.25 (260)	19.25 (489)	19.25 (489)	21.25 x 20.00 (540 x 508)	2	38.5 lbs.	BPT2424**
T242412HWT*	27.00 x 25.24 x 13.90 (686 x 641 x 353)	24.05 x 24.39 x 13.25 (611 x 619 x 336)	25.75 x 17.87 (654 x 454)	12.25 (311)	19.25 (489)	19.25 (489)	21.25 x 20.00 (540 x 508)	2	42.1 lbs.	BPT2424**
T30208HWT	32.86 x 20.99 x 9.89 (835 x 533 x 251)	29.90 x 20.14 x 9.23 (760 x 511 x 234)	31.75 x 14.25 (806 x 362)	8.23 (209)	25.25 (641)	15.25 (387)	27.00 x 16.50 (686 x 419)	2	37 lbs.	BPT3020**
T302410HWT	33.41 x 26.32 x 11.95 (849 x 668 x 304)	30.46 x 25.47 x 11.27 (774 x 647 x 286)	32.25 x 18.50 (819 x 470)	10.27 (261)	25.25 (641)	19.25 (489)	27.38 x 21.25 (695 x 540)	2	52.2 lbs.	BPT3024**
T363010HWT	39.31 x 32.50 x 12.05 (999 x 826 x 306)	36.31 x 31.69 x 11.36 (922 x 805 x 289)	38.13 x 23.88 (968 x 606)	10.36 (263)	31.25 (794)	25.25 (641)	33.25 x 27.25 (845 x 692)	3	69 lbs.	BPT3630**
T363012HWT	39.31 x 32.50 x 14.05 (999 x 826 x 357)	36.31 x 31.69 x 13.36 (922 x 805 x 339)	38.13 x 23.88 (968 x 606)	12.36 (314)	31.25 (794)	25.25 (641)	33.25 x 27.25 (845 x 692)	3	71.6 lbs.	BPT3630**
T483612HWT	51.29 x 36.62 x 13.93 (1303 x 930 x 354)	48.33 x 36.22 x 13.25 (1228 x 920 x 336)	50.12 x 28.50 (1273 x 724)	12.25 (311)	21.63 (549)	31.25 (794)	45.25 x 32.00 (1149 x 813)	10	96 lbs.	BPT4836**
T483616HWT	51.29 x 36.62 x 17.93 (1303 x 930 x 456)	48.33 x 32.22 x 17.25 (1228 x 920 x 438)	50.12 x 28.50 (1273 x 724)	16.25 (413)	21.63 (549)	31.25 (794)	45.25 x 32.00 (1149 x 813)	10	109 lbs.	BPT4836**
T603612HWT	64.00 x 36.50 x 14.12 (1627 x 927 x 359)	60.62 x 36.13 x 13.44 (1540 x 918 x 441)	62.75 x 28.75 (1594 x 730)	12.44 (316)	27.63 (702)	31.25 (794)	57.25 x 32.00 (1454 x 813)	11	125 lbs.	BPT6036**
T603616HWT	64.00 x 36.50 x 18.12 (1627 x 927 x 460)	60.62 x 36.13 x 17.44 (1540 x 918 x 443)	62.75 x 28.75 (1594 x 730)	16.44 (418)	27.63 (702)	31.25 (794)	57.25 x 32.00 (1454 x 813)	11	130 lbs.	BPT6036**

*Available as made to order. All measures are in inches, items in parentheses are in millimeters.

NOTE: Mounting hole dimension is .50 inches.

**Panel ordered separately.

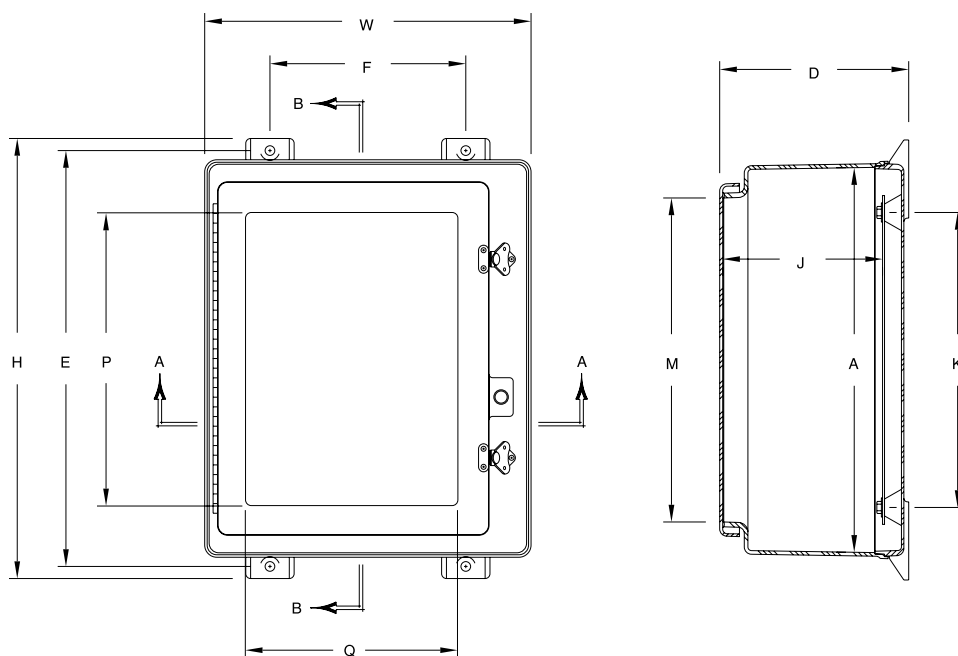
Triton | Flush Bonded Window | HWT

STAINLESS STEEL HINGED, LATCHED DOWN COVER, WINDOW



CONSTRUCTION

Material (Box & Cover)	Hot Compression Molded Fiberglass Reinforced Polyester (Thermoset)
Gasket	Poured polyurethane seamless gasket
Window	Acrylic - Super Abrasion Resistant (SAR)
Back Panel Screw Size	#3/8-16 x 1/2 Hex Bolt
Hinge and Latch Hardware	304 Stainless Steel
Soft Edge Design	Rounded Edges, Minimal Protrusions Or Exposed Pocket Areas



TRITON SERIES WINDOW ENCLOSURES

SIZE ID NUMBER	OVERALL H X W X D	INSIDE A X B X C	WINDOW AREA (MAXIMUM) P X Q	MOUNTING E X F	J	K	L	ENCLOSURE OPENING M X N	NO. OF LATCHES	SHIPPING WEIGHT	PANEL NUMBER
TW24208HWT	27.00 x 21.24 x 9.90 (686 x 539 x 252)	24.05 x 20.39 x 9.25 (611 x 518 x 235)	19 x 14 (483 x 356)	25.75 x 14.00 (654 x 356)	8.25 (209)	19.25 (489)	15.25 (387)	21.25 x 16.00 (540 x 406)	4	34 lbs.	BPT2420*
TW242410HWT	27.00 x 25.24 x 11.90 (686 x 641 x 302)	24.05 x 24.39 x 11.25 (611 x 619 x 286)	19 x 18 (483 x 457)	25.75 x 17.87 (654 x 454)	10.25 (260)	19.25 (489)	19.25 (489)	21.25 x 20.00 (540 x 508)	4	45 lbs.	BPT2424*
TW30208HWT	32.86 x 20.99 x 9.89 (835 x 533 x 251)	29.90 x 20.14 x 9.23 (760 x 511 x 234)	24 x 14 (610 x 356)	31.75 x 14.25 (806 x 362)	8.23 (209)	25.25 (641)	15.25 (387)	27.00 x 16.50 (686 x 419)	5	39 lbs.	BPT3020*
TW302410HWT	33.41 x 26.32 x 11.95 (849 x 668 x 304)	30.46 x 25.47 x 11.27 (774 x 647 x 286)	25 x 19 (635 x 483)	32.25 x 18.50 (819 x 470)	10.27 (261)	25.25 (641)	19.25 (489)	27.38 x 21.25 (695 x 540)	5	54 lbs.	BPT3024*
TW363012HWT	39.31 x 32.50 x 14.05 (999 x 826 x 357)	36.31 x 31.69 x 13.36 (922 x 805 x 339)	31 x 25 (787 x 635)	38.13 x 23.88 (968 x 606)	12.36 (314)	31.25 (794)	25.25 (641)	33.25 x 27.25 (845 x 692)	5	86 lbs.	BPT3630*
TW483612HWT	51.29 x 36.62 x 13.93 (1303 x 930 x 354)	48.33 x 36.22 x 13.25 (1228 x 920 x 336)	43 x 30 (1092 x 762)	50.12 x 28.5 (1273 x 724)	12.25 (311)	21.63 (549)	31.25 (794)	45.25 x 32.00 (1149 x 813)	10	99.8 lbs.	BPT4836*

All measures are in inches, items in parentheses are in millimeters
*Panel ordered separately.

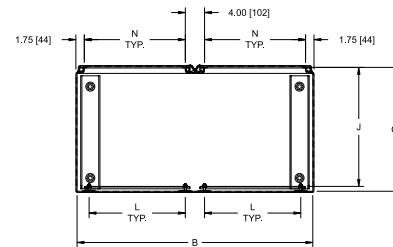
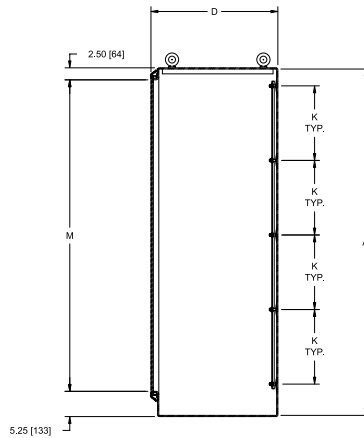
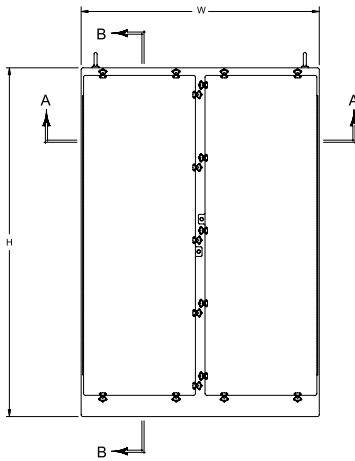
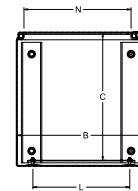
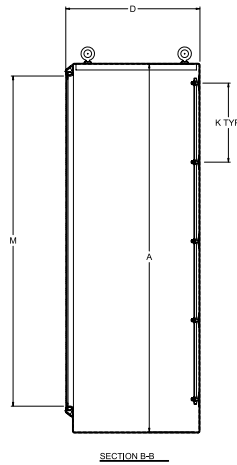
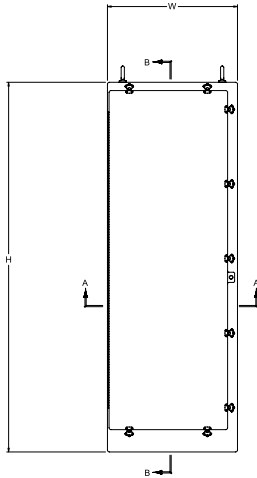
Triton | Free-Standing | HWT

SS HINGED, LATCHED DOWN COVER



CONSTRUCTION

Material (Box & Cover)	Hand Lay-up Molded Fiberglass Reinforced Polyester (Thermoset)
Gasket	Neoprene
Back Panel Screw Size	#3/8-16 Stud
Hinge and Latch Hardware	304 Stainless Steel
Soft Edge Design	Rounded Edges, Minimal Protrusions Or Exposed Pocket Areas



TRITON SERIES FREE STANDING ENCLOSURES

SIZE ID NUMBER	OVERALL H X W X D	INSIDE A X B X C	J	K	L	ENCLOSURE OPENING M X N	NO. OF LATCHES	SHIPPING WEIGHT	PANEL NUMBER
T722525FSHWT*	72.50 x 25.50 x 26.38 (1841 x 648 x 670)	72.00 x 25.00 x 25.88 (1829 x 635 x 657)	24.88 (632)	15.50 (388)	19.00 (483)	64.75 x 21.00 (1645 x 533)	9	230 lbs.	BPT7225**
T724925FSDHWT*	72.50 x 49.50 x 26.38 (1842 x 1257 x 670)	72.00 x 49.00 x 25.88 (1829 x 1245 x 654)	24.88 (628)	15.50 (394)	20.00 (508)	64.75 x 21.00 (1645 x 533)	10	520 lbs.	BPT7249**
T907236FSDHWT*	90.50 x 72.50 x 37.38 (2299 x 1842 x 949)	90.00 x 72.00 x 36.88 (2286 x 1829 x 937)	35.88 (911)	20.00 (508)	31.5 (800)	82.75 x 32.13 (2102 x 816)	24	657 lbs.	BPT9072**

*Available as made to order.

All measures are in inches, items in parentheses are in millimeters.

NOTE: Mounting hole dimension is .50 inches.

**Panel ordered separately.