

DuraShield™

FROM **ATTABOX™** | A BRAND OF **ROBROY®** ENCLOSURES

Proven Protection Because Of Simplicity In An Extremely Rugged Design

DuraShield (DU) Series enclosures are designed for rugged, durable performance in both commercial and industrial indoor and outdoor environments such as mining, oil, gas, wastewater treatment, and petro-chem.

This fiberglass-reinforced polyester product was developed with a low profile design and shallow depth. A simplified mounting system accommodates a direct-to-wall mounting, leaving unobstructed top, bottom and sides for dense mounting requirements.

Because of their pleasing aesthetics and flush cover design, **DuraShield** Series enclosures are highly valued in high-end electronic applications such as wireless communications and operator interfaces. A poured-in-place polyurethane gasket ensures a rain-tight, water-tight and submersible rating.

DuraShield Enclosures are an exceptional blending of stylistic beauty and rugged endurance.

DURASHIELD SERIES ATTRIBUTES

- 14 sizes available
- Size range from 3" x 3" to 24" x 16"
- Flat cover with captive cover screws
- DIN rail mounting capabilities
- No sidewall obstructions, flush cover
- Aluminum back panels available for all sizes

DURASHIELD SERIES INDUSTRY STANDARDS

UL/cUL File #	E64358
NEMA Ratings (UL508A, UL50 & UL50e)	1, 3, 3S, 4X, 6, 6P, 12
CSA Std. C22.2 File #	LR069014
IEC 60529 Ratings	IP66, IP67, IP68
Temperature Range	(-26°F to +257°F) (-32°C to +125°C)
Flammability Rating	UL94-V0
Self Extinguishing propagating	Non-halogenated, Non-flame
Certifications	UL, CSA, CE, REACH, RoHS
Outdoor UV Exposure (UL 746C)	(f1) Rated
Chemical Resistance	Visit AttaBox.com



DuraShield (DU)



DuraShield (DUL)

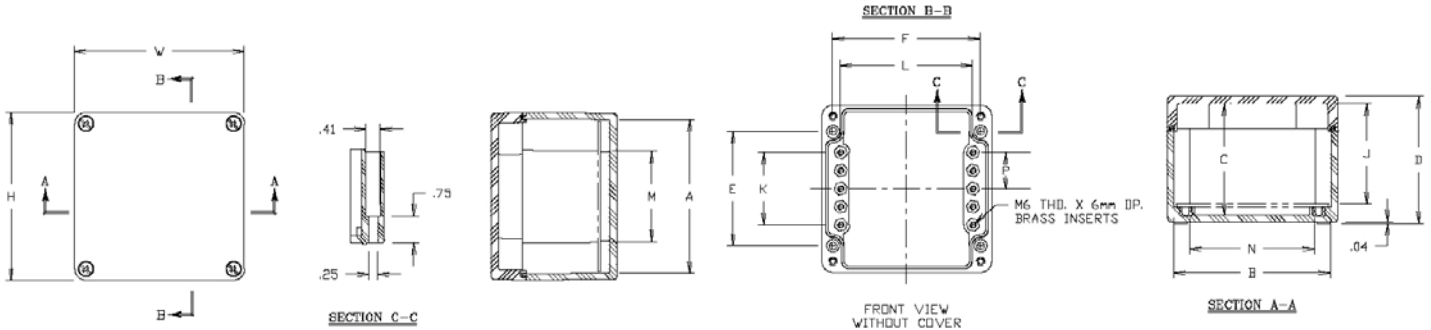
DuraShield | Opaque Cover | W

FLUSH FITTING COVER FASTENED BY CAPTIVE LID SCREWS



CONSTRUCTION

Material (Box & Cover)	Hot Compression Molded Fiberglass Reinforced Polyester (Thermoset)
Gasket Material	Poured polyurethane seamless gasket
Cover Screw Material	304 Stainless Steel
Cover Screw Size	M6 x 35 mm
Cover Screw Torque	17-22 in.-lbs.
Mounting Bosses	Panel mounting capability for fixed rear panel
Metal Inserts	All bosses utilize threaded brass inserts accepting M6 screws
Soft Edge Design	Rounded Edges, Minimal Protrusions Or Exposed Pocket Areas



DURASHIELD W DIMENSIONS

SIZE ID NUMBER	OVERALL H X W X D	INSIDE A X B X C	MOUNTING E X F	J	K	L	M	N	P	SHIPPING WEIGHT	PANEL NUMBER
DU333W	2.95 x 3.15 x 2.78 (75 x 80 x 76)	2.56 x 2.76 x 2.56 (65 x 70 x 65)	1.57 x 2.48 (40 x 63)	2.26 (57)	N/A	2.28 (58)	1.06 (27)	1.93 (49)	N/A	0.81 LB	BPDU33A*
DU342W	2.95 x 4.33 x 2.22 (75 x 110 x 56)	2.56 x 3.93 x 1.81 (65 x 100 x 46)	1.77 x 3.86 (45 x 98)	1.53 (39)	N/A	3.50 (89)	1.29 (33)	3.37 (86)	N/A	.88 LB	BPDU34A*
DU554W	4.72 x 4.80 x 3.58 (120 x 122 x 91)	4.33 x 4.41 x 3.15 (110 x 112 x 80)	3.23 x 4.17 (82 x 106)	2.93 (74)	2.05 (52)	3.74 (95)	2.56 (65)	3.50 (89)	1.02 (26)	1.7 LB	BPDU55A*
DU593W	4.72 x 8.66 x 3.19 (120 x 220 x 81)	4.34 x 8.28 x 2.83 (110 x 210 x 72)	3.23 x 8.03 (82 x 204)	2.62 (67)	2.05 (52)	7.60 (193)	2.57 (65)	7.37 (187)	1.02 (26)	2.4 LB	BPDU59A*
DU594W	4.72 x 8.66 x 3.58 (120 x 220 x 91)	4.33 x 8.27 x 3.15 (110 x 210 x 80)	3.23 x 8.03 (82 x 204)	2.93 (74)	2.05 (52)	7.60 (193)	2.57 (65)	7.37 (187)	1.02 (26)	2.5 LB	BPDU59A*
DU774W	6.30 x 6.30 x 3.58 (160 x 160 x 91)	5.79 x 5.79 x 3.11 (147 x 147 x 79)	4.33 x 5.51 (110 x 140)	2.93 (74)	2.99 (76)	5.20 (132)	3.50 (89)	4.68 (119)	1.50 (38)	2.8 LB	BPDU77A*
DU7114W	6.30 x 10.24 x 3.58 (160 x 260 x 91)	5.79 x 9.72 x 3.11 (147 x 247 x 79)	4.33 x 9.45 (110 x 240)	2.93 (74)	2.99 (76)	9.13 (232)	3.50 (89)	8.62 (219)	1.50 (38)	3.8 LB	BPDU711A*
DU10105W	9.84 x 10.04 x 4.76 (250 x 255 x 121)	9.31 x 9.51 x 4.29 (236 x 242 x 109)	7.87 x 9.25 (200 x 235)	4.11 (104)	3.94 (100)	8.94 (227)	7.03 (179)	8.41 (214)	1.97 (50)	6.4 LB	BPDU1010A*
DU10165W	9.84 x 15.75 x 4.76 (250 x 400 x 121)	9.31 x 15.22 x 4.29 (236 x 387 x 109)	7.87 x 14.96 (200 x 380)	4.09 (104)	3.94 (100)	14.65 (327)	7.03 (179)	14.12 (359)	1.97 (50)	8.8 LB	BPDU1016A*
DU14144W	14.17 x 14.17 x 3.58 (360 x 360 x 91)	13.66 x 13.66 x 3.11 (347 x 347 x 79)	12.20 x 13.39 (310 x 340)	2.91 (74)	5.35 (136)	13.07 (332)	11.38 (289)	12.56 (319)	2.68 (68)	8.0 LB	BPDU1414A*
DU16165W	15.94 x 15.75 x 4.76 (405 x 400 x 121)	15.42 x 15.22 x 4.29 (392 x 387 x 109)	13.98 x 14.96 (355 x 380)	4.09 (104)	9.84 (250)	14.65 (372)	13.14 (334)	14.12 (359)	4.92 (125)	11.0 LB	BPDU1616A*

* Panel ordered separately

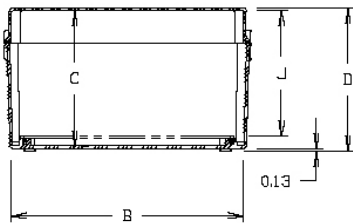
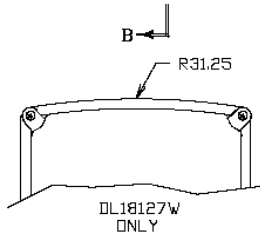
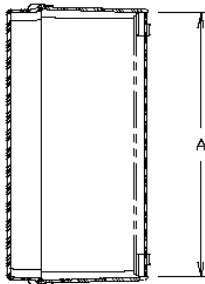
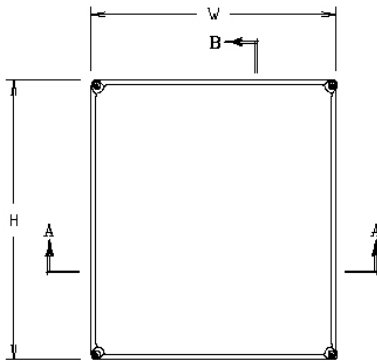
DuraShield | Opaque Cover | W

FLUSH FITTING COVER FASTENED BY CAPTIVE LID SCREWS

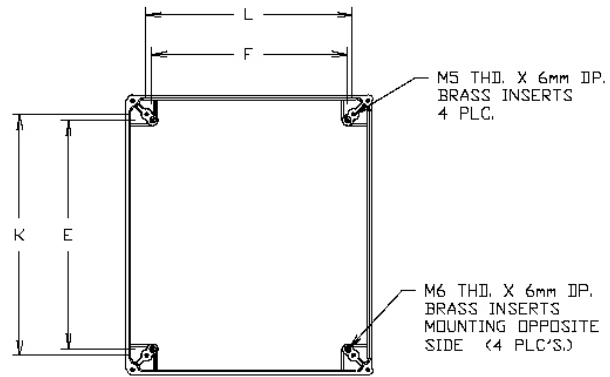


CONSTRUCTION

Material (Box & Cover)	Hot Compression Molded Fiberglass Reinforced Polyester (Thermoset)
Gasket Material	Poured polyurethane seamless gasket
Cover Screw Material	304 Stainless Steel
Cover Screw Size	M6 x 35 mm
Cover Screw Torque	17-22 in.-lbs.
Mounting Bosses	Panel mounting capability for fixed rear panel
Metal Inserts	All bosses utilize threaded brass inserts accepting M6 screws
Soft Edge Design	Rounded Edges, Minimal Protrusions Or Exposed Pocket Areas



SECTION A-A



FRONT VIEW WITHOUT COVER

DURASHIELD W DIMENSIONS

SIZE ID NUMBER	OVERALL H X W X D	INSIDE A X B X C	MOUNTING E X F	J	K	L	SHIPPING WEIGHT	PANEL NUMBER
DUL18127W	16.54 x 10.63 x 7.22 (420 x 270 x 183)	15.02 x 9.12 x 6.85 (382 x 232 x 174)	12.68 x 7.17 (322 x 182)	6.26 (159)	13.46 (342)	7.95 (202)	5.5 LBS	BPDU1812A*
DUL18168W	16.54 x 14.57 x 8.44 (420 x 370 x 214)	15.56 x 13.59 x 7.99 (395 x 345 x 207)	13.54 x 11.57 (344 x 294)	7.44 (189)	14.25 (362)	12.24 (311)	9.9 LBS	BPDU1816A*
DUL24168W	23.63 x 16.54 x 8.44 (600 x 420 x 214)	22.67 x 15.55 x 7.99 (576 x 395 x 207)	20.63 x 13.54 (524 x 344)	7.44 (189)	21.34 (542)	14.21 (361)	15.4 LBS	BPDU2416A*

Caution: Metric units are for reference; do not convert
* Panel ordered separately