

Centurion™

FROM **ATTABOX™** | A BRAND OF **ROBROY®** ENCLOSURES

Proven Protection That Balances Aesthetics With Physical Performance

Centurion™ Series fiberglass-reinforced polyester enclosures have been designed for general electrical and electronic applications, as well as industrial and OEM applications requiring protection from environmental forces. With their contemporary aesthetics, they offer a unique feature provided by a hidden hinge design and flush fitting cover, making **Centurion™** Series enclosures ideal for applications such as control stations and operator interface units.

Of equal importance, **Centurion™** Series enclosures are truly tough and durable in the most demanding uses. Both chemical resistance and watertight capabilities make them ideal across a broad spectrum of environmental installations.

CENTURION SERIES ATTRIBUTES

- Available in 2 cover options:
 1. Opaque cover
 2. Flush bonded window
- Stands up to an exceptionally broad range of chemical exposures
- High impact resistance
- Double insulated material. No incidental electrical contact
- Hidden hinge design
- UV Resistant
- Soft edge design, smooth lines, flush cover
- Super abrasion-resistant acrylic window
- High temperature, flame retardant, non-corrosive, environmental designs



Centurion (CE)



**Centurion
Flush Bonded Window (CEW)**

CENTURION SERIES INDUSTRY STANDARDS

UL/cUL File #	E64358
NEMA Ratings (UL508A, UL50 & UL50e)	1, 3, 3S, 4X, 12
CSA Std. C22.2 File #	LR069014
UL 1741 File #	E333478
Temperature Range	(-76° F to +274° F) (-60° C to +134° C)
Flammability Rating	UL94-5V
Self Extinguishing	Non-Halogenated, Non-flame propagating
NFPA No. 101 Flame Spread	Class A (1)
Certifications	UL, CSA, CE, REACH, RoHS
Outdoor UV Exposure (UL 746C)	(f1) Rated
Chemical Resistance	Visit AttaBox.com

Centurion | HW

HINGED, 2 COVER SCREWS



CONSTRUCTION

Material (Box & Cover)	Hot Compression Molded Fiberglass Reinforced Polyester (Thermoset)
Gasket Material	Poured polyurethane seamless gasket
Back Panel Screw Size	#10-32 x 3/8
Cover Screw Material	304 Stainless Steel
Cover Screw Size	#10-24 x 1
Cover Screw Torque	20-24 in.-lbs.
Hinge and Latch Hardware	304 Stainless Steel
Soft Edge Design	Rounded Edges, Minimal Protrusions Or Exposed Pocket Areas

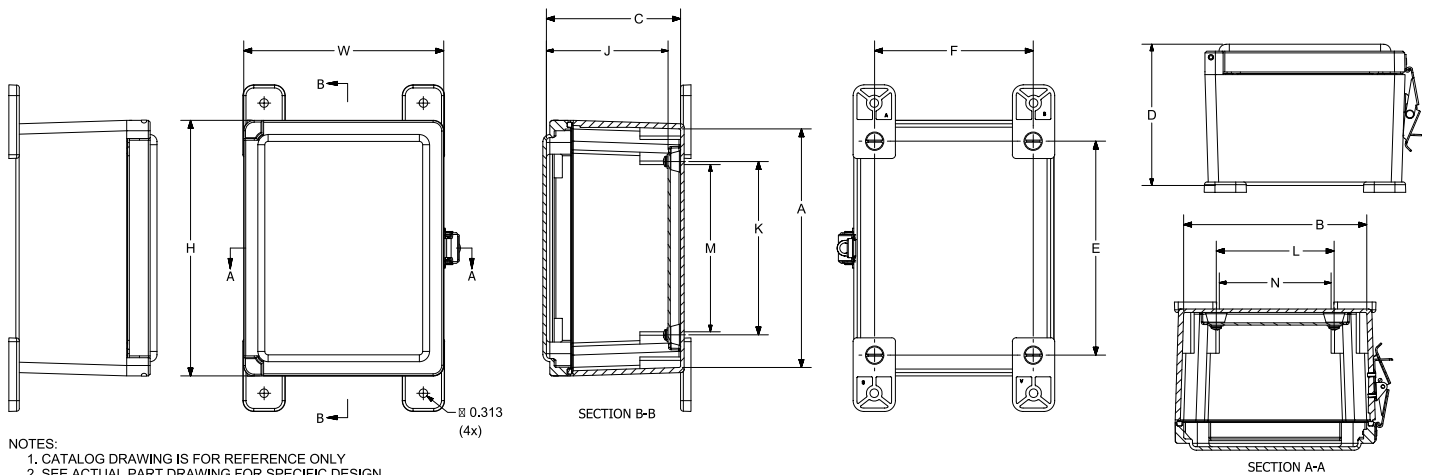
Centurion | HPL

HINGED, PADLOCK LATCH



CONSTRUCTION

Material (Box & Cover)	Hot Compression Molded Fiberglass Reinforced Polyester (Thermoset)
Gasket Material	Poured polyurethane seamless gasket
Back Panel Screw Size	#10-32 x 3/8
Hinge and Latch Hardware	304 Stainless Steel
Soft Edge Design	Rounded Edges, Minimal Protrusions Or Exposed Pocket Areas



- NOTES:
1. CATALOG DRAWING IS FOR REFERENCE ONLY
 2. SEE ACTUAL PART DRAWING FOR SPECIFIC DESIGN
 3. NOTE J DIMENSION IS WITH BACK PANEL INSTALLED
 4. BACK PANEL IS SOLD SEPARATELY
 5. MOUNTING FEET SHOWN AS INSTALLED - FOR REFERENCE ONLY
 6. MOUNTING FEET ARE SOLD SEPARATELY

CENTURION SERIES ENCLOSURES

SIZE ID NUMBER	OVERALL H X W X D	INSIDE A X B X C	MOUNTING E X F	J	K	L	M	N	SHIPPING WEIGHT	PANEL NUMBER
CE707HW CE707HPL	7.21 x 7.21 x 5.09 (183 x 183 x 129)	6.65 x 6.65 x 4.84 (169 x 169 x 123)	5.71 x 5.71 (145 x 145)	4.39 (111)	4.25 (108)	4.25 (108)	4.04 (103)	4.04 (103)	4 lbs.	BP66*
CE907HW CE907HPL	9.21 x 7.21 x 5.09 (234 x 183 x 129)	8.59 x 6.59 x 4.84 (218 x 167 x 123)	7.71 x 5.71 (196 x 145)	4.39 (111)	6.25 (159)	4.25 (108)	6.04 (154)	4.04 (103)	4.3 lbs.	BP86*
CE1109HW CE1109HPL	11.21 x 9.21 x 6.09 (285 x 234 x 155)	10.59 x 8.59 x 5.84 (269 x 218 x 148)	9.71 x 7.71 (247 x 196)	5.39 (137)	8.25 (210)	6.25 (159)	8.04 (204)	6.04 (154)	6 lbs.	BP108*
CE1311HW CE1311HPL	13.21 x 11.21 x 6.59 (336 x 285 x 167)	12.59 x 10.59 x 6.34 (320 x 269 x 161)	11.71 x 9.71 (298 x 247)	5.89 (150)	10.25 (260)	8.25 (210)	10.04 (255)	8.04 (204)	7.8 lbs.	BP1210*
CE1513HW CE1513HPL	15.21 x 13.21 x 7.09 (386 x 336 x 180)	14.55 x 12.55 x 6.84 (370 x 319 x 174)	13.71 x 11.71 (348 x 298)	6.39 (162)	12.25 (311)	10.25 (260)	12.04 (306)	10.04 (255)	11.6 lbs.	BP1412*

Centurion | Flush Bonded Window | HW

HINGED, 2 COVER SCREWS



CONSTRUCTION

Material (Box & Cover)	Hot Compression Molded Fiberglass Reinforced Polyester (Thermoset)
Gasket Material	Poured polyurethane seamless gasket
Window	Acrylic - Super Abrasion Resistant (SAR)
Back Panel Screw Size	#10-32 x 3/8
Cover Screw Material	304 Stainless Steel
Cover Screw Size	#10-24 x 1
Cover Screw Torque	20-24 in.-lbs.
Hinge and Latch Hardware	304 Stainless Steel
Soft Edge Design	Rounded Edges, Minimal Protrusions Or Exposed Pocket Areas

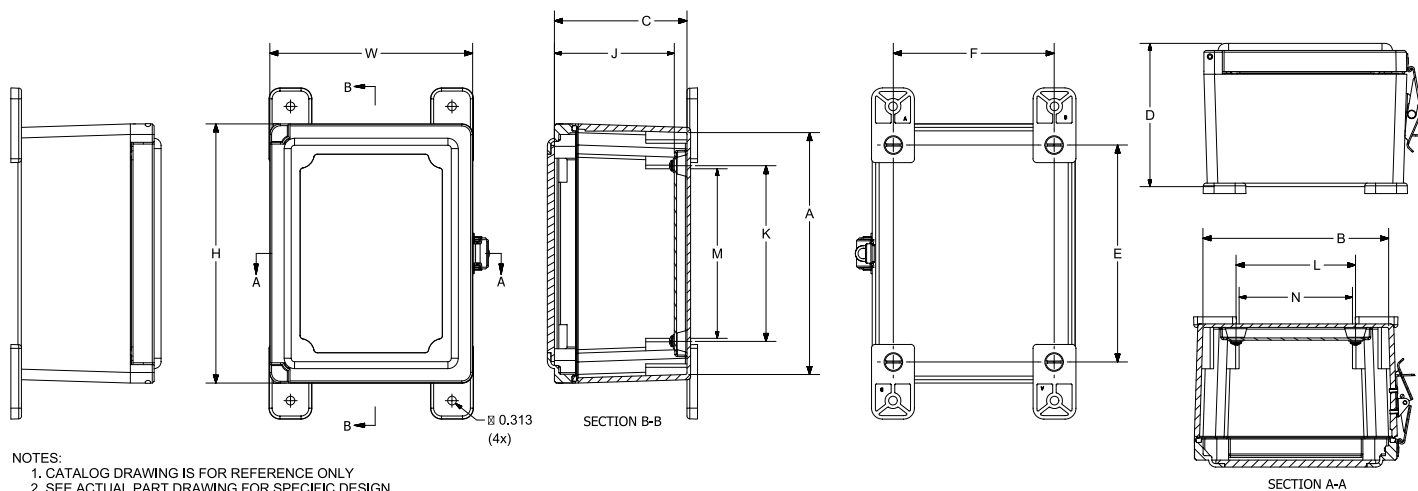
Centurion | Flush Bonded Window | HPL

HINGED, PADLOCK LATCH



CONSTRUCTION

Material (Box & Cover)	Hot Compression Molded Fiberglass Reinforced Polyester (Thermoset)
Gasket Material	Poured polyurethane seamless gasket
Window	Acrylic - Super Abrasion Resistant (SAR)
Back Panel Screw Size	#10-32 x 3/8
Hinge and Latch Hardware	304 Stainless Steel
Soft Edge Design	Rounded Edges, Minimal Protrusions Or Exposed Pocket Areas



- NOTES:
1. CATALOG DRAWING IS FOR REFERENCE ONLY
 2. SEE ACTUAL PART DRAWING FOR SPECIFIC DESIGN
 3. NOTE J DIMENSION IS WITH BACK PANEL INSTALLED
 4. BACK PANEL IS SOLD SEPARATELY
 5. MOUNTING FEET SHOWN AS INSTALLED - FOR REFERENCE ONLY
 6. MOUNTING FEET ARE SOLD SEPARATELY

CENTURION WINDOW SERIES ENCLOSURES

SIZE ID NUMBER	OVERALL H X W X D	INSIDE A X B X C	WINDOW AREA MAXIMUM	MOUNTING E X F	J	K	L	M	N	SHIPPING WEIGHT	PANEL NUMBER
CEW707HW CEW707HPL	7.21 x 7.21 x 5.09 (183 x 183 x 129)	6.65 x 6.65 x 4.84 (169 x 169 x 123)	5.06 x 5.06 (129 x 129)	5.71 x 5.71 (145 x 145)	4.39 (111)	4.25 (108)	4.25 (108)	4.04 (103)	4.04 (103)	4 lbs.	BP66*
CEW907HW CEW907HPL	9.21 x 7.21 x 5.09 (234 x 183 x 129)	8.59 x 6.59 x 4.84 (218 x 167 x 123)	7.06 x 5.06 (179 x 129)	7.71 x 5.71 (196 x 145)	4.39 (111)	6.25 (159)	4.25 (108)	6.04 (154)	4.04 (103)	4.3 lbs.	BP86*
CEW1109HW CEW1109HPL	11.21 x 9.21 x 6.09 (285 x 234 x 155)	10.59 x 8.59 x 5.84 (269 x 218 x 148)	9.06 x 7.06 (230 x 179)	9.71 x 7.71 (247 x 196)	5.39 (137)	8.25 (210)	6.25 (159)	8.04 (204)	6.04 (154)	6 lbs.	BP108*
CEW1311HW CEW1311HPL	13.21 x 11.21 x 6.59 (336 x 285 x 167)	12.59 x 10.59 x 6.34 (320 x 269 x 161)	11.06 x 9.06 (281 x 230)	11.71 x 9.71 (298 x 247)	5.89 (150)	10.25 (260)	8.25 (210)	10.04 (255)	8.04 (204)	7.8 lbs.	BP1210*
CEW1513HW CEW1513HPL	15.21 x 13.21 x 7.09 (386 x 336 x 180)	14.55 x 12.55 x 6.84 (370 x 319 x 174)	13.06 x 11.06 (332 x 281)	13.71 x 11.71 (348 x 298)	6.39 (162)	12.25 (311)	10.25 (260)	12.04 (306)	10.04 (255)	11.6 lbs.	BP1412*