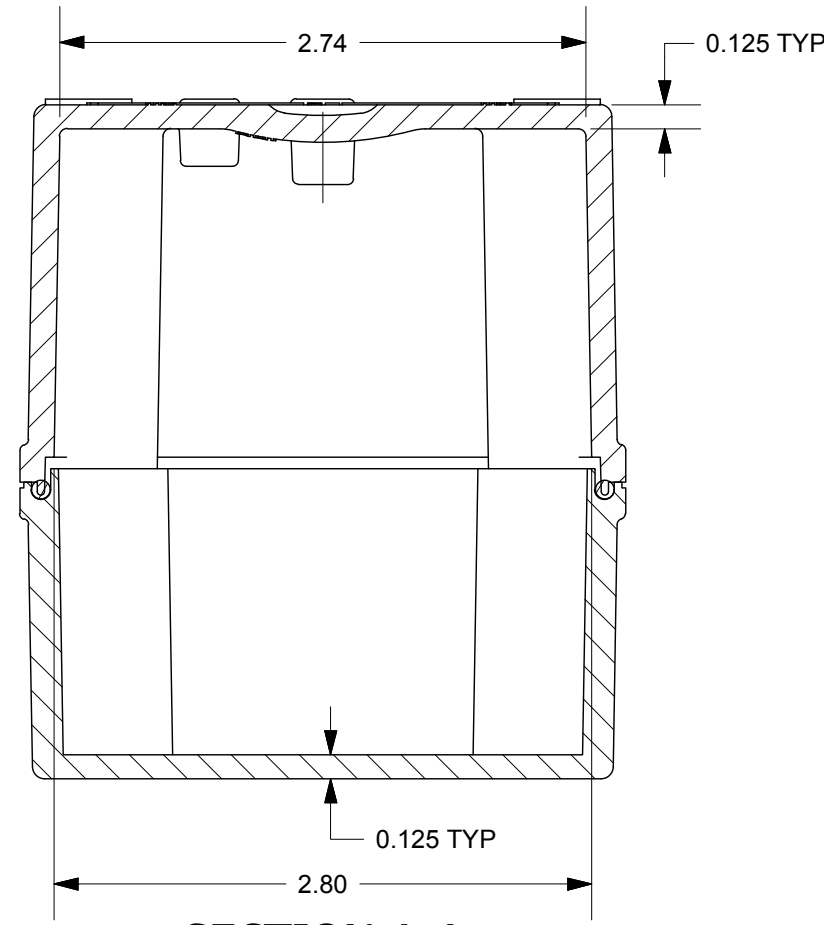
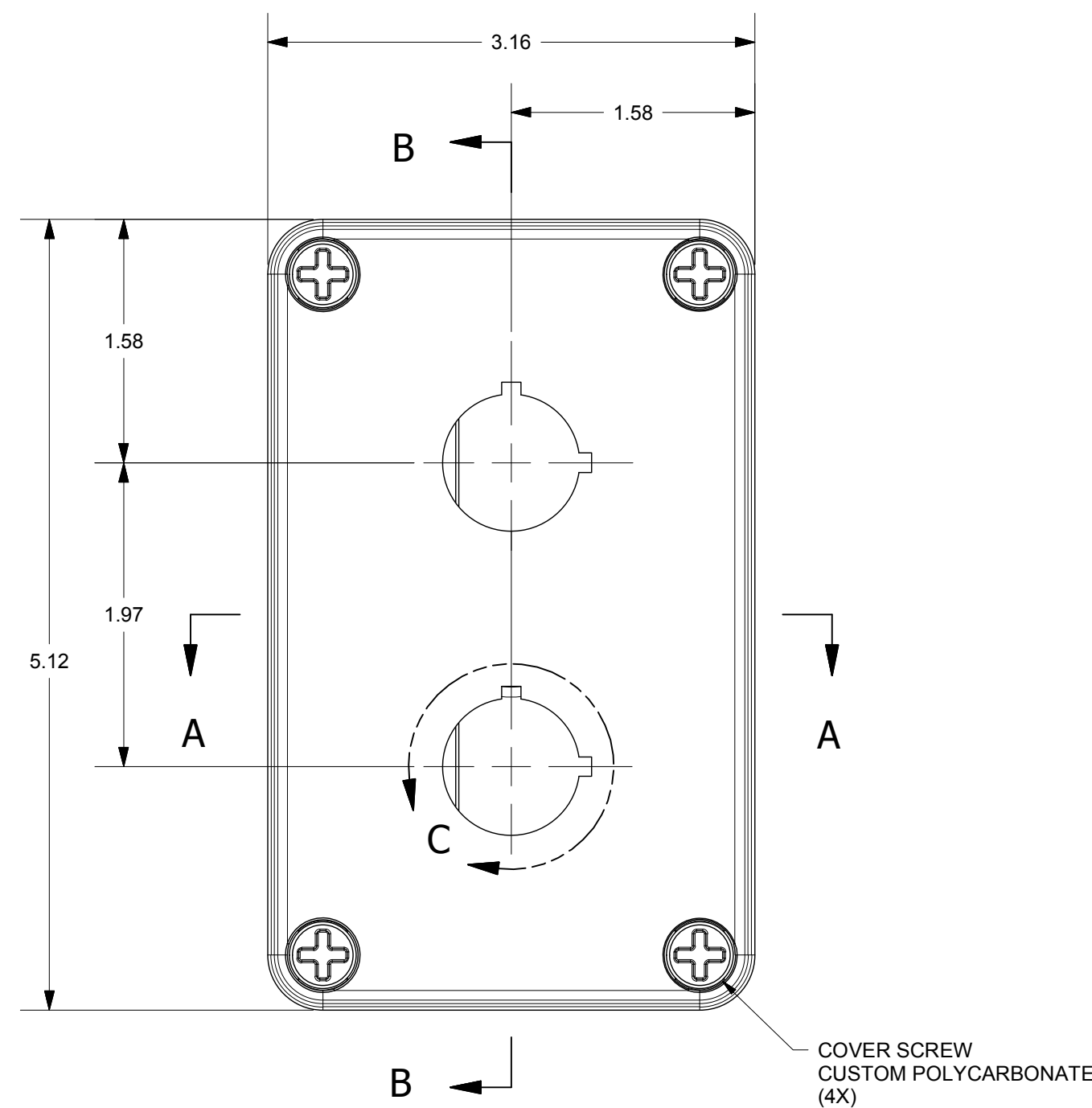
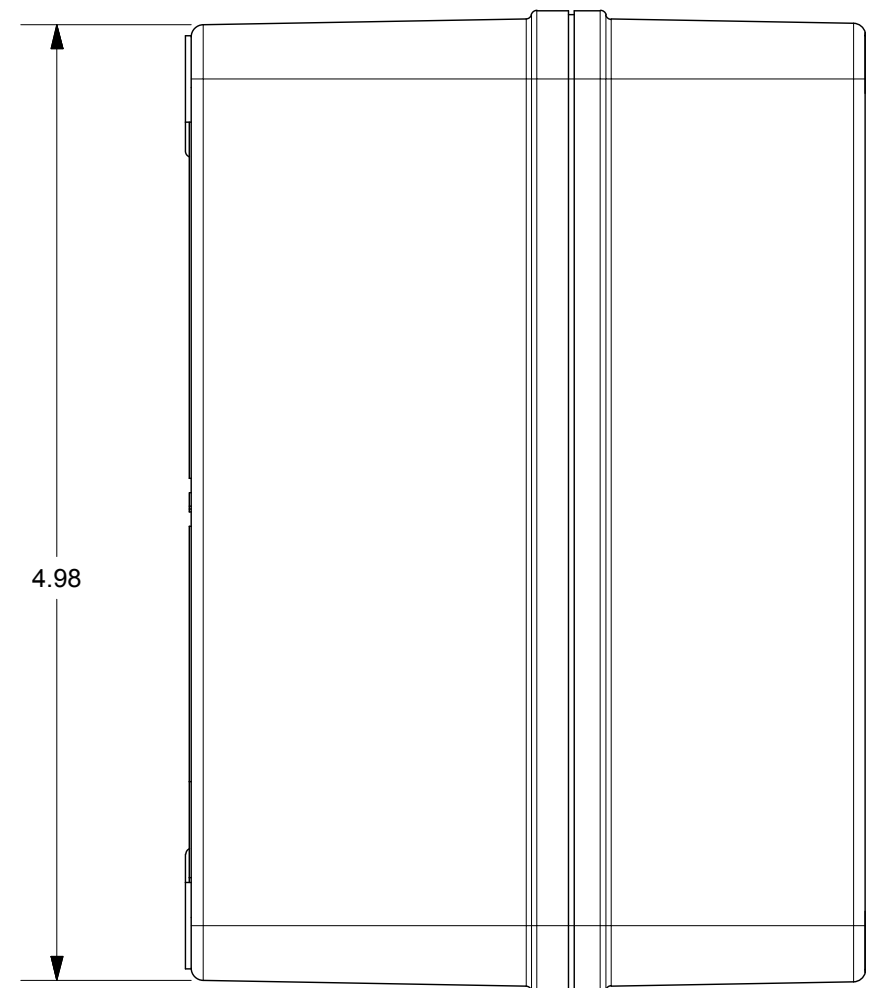


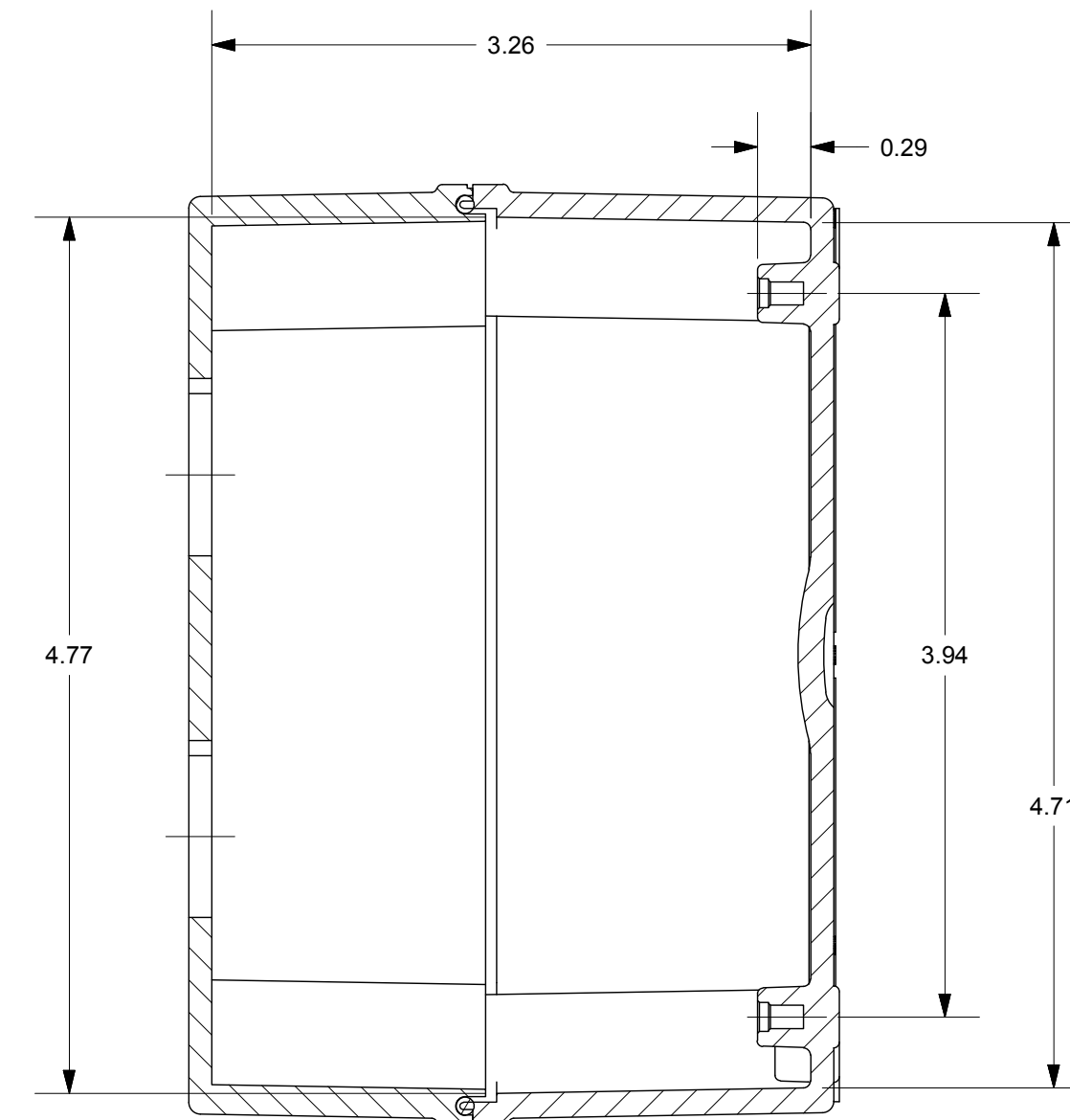
DETAIL C
(2X)



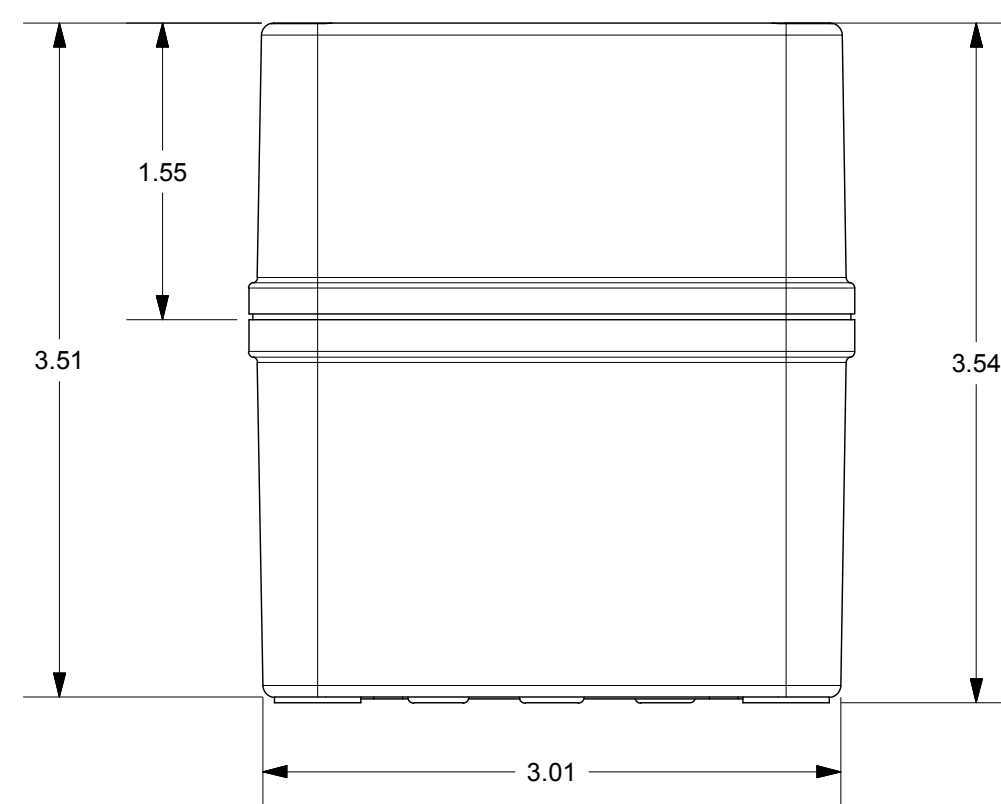
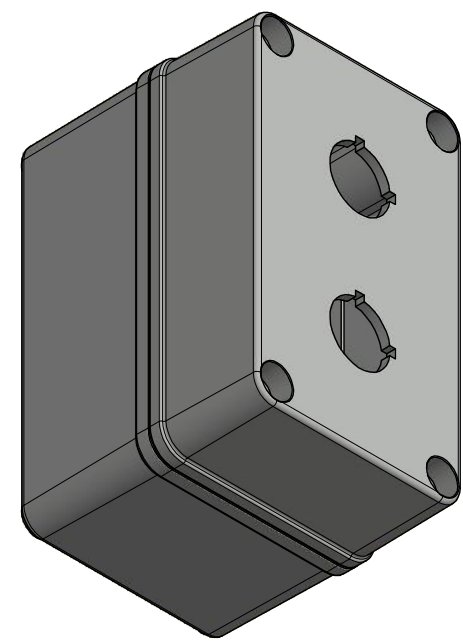
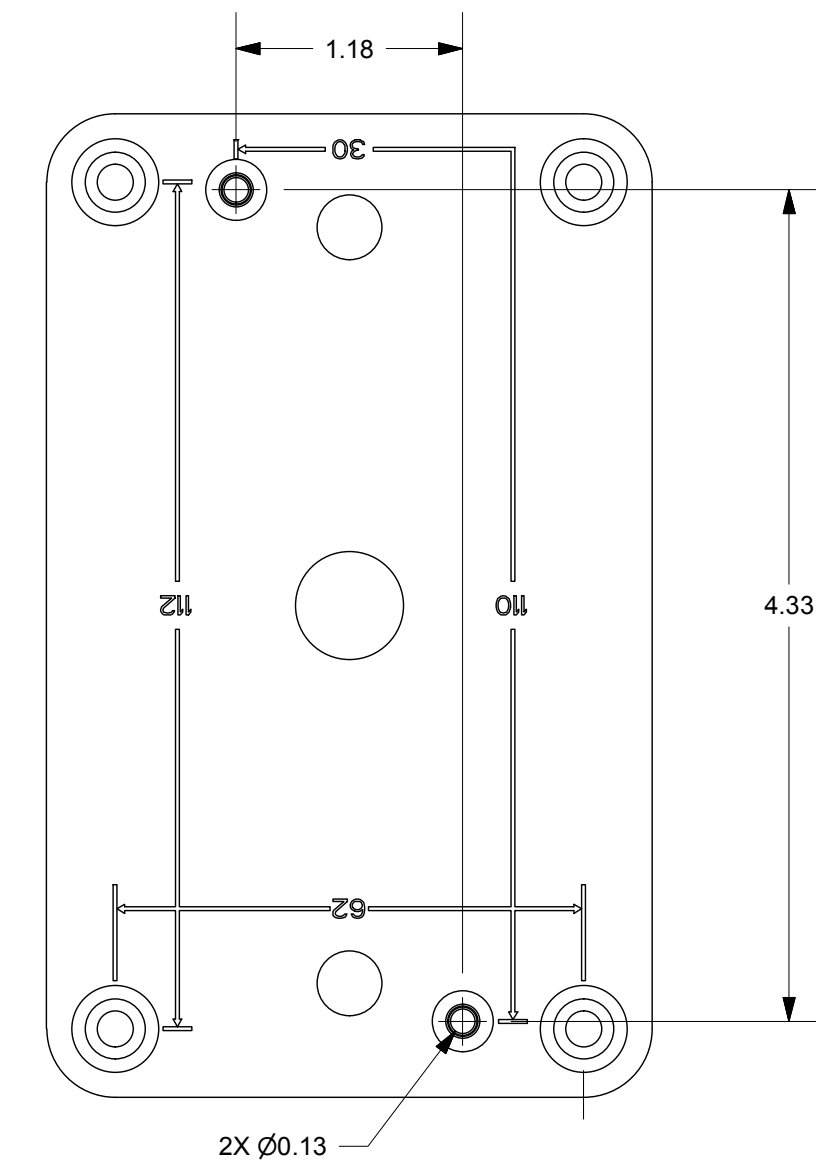
SECTION A-A



COVER SCREW
CUSTOM POLYCARBONATE
(4X)



SECTION B-B



END USER NOTES:
1. TORQUE COVER SCREWS TO 16 IN.-LBS. TO MAINTAIN RATINGS

THIS DRAWING IS THE SOLE AND EXCLUSIVE
PROPERTY OF ROBROY ENCLOSURES.
NO PART OF THIS DRAWING MAY BE
REPRODUCED, DISTRIBUTED, OR PUBLICALLY
DISPLAYED IN ANY FORM OR BY ANY MEANS
WITHOUT THE EXPRESS WRITTEN
PERMISSION OF ROBROY ENCLOSURES.
ALL RIGHTS RESERVED.
UNDER THE COPYRIGHT LAWS
COPYRIGHT © 2017 ROBROY ENCLOSURES

SPECIAL REQUIREMENTS

NEMA 250: TYPE 1, 3R, 4X, 6P, 12 IEC 60529: IP66, IP68		STANDARD P/N: COPC2PB22	ALL DIMENSIONS ARE IN INCHES UNLESS OTHERWISE SPECIFIED		TOLERANCES UNLESS SPECIFIED	.XX ± 0.03	.XXX ± 0.010
COLOR: N/A COLOR STANDARD: PANTONE 7541 C		CUSTOMER DWG:					
MATERIAL: POLYCARBONATE							
REVISION HISTORY							
REV	DESCRIPTION	DATE	ENG				
-	-	-	-				
-	-	-	-				
-	-	-	-				
-	-	-	-				
-	-	-	-				
-	-	-	-				
DRAWN BY: E91		DATE: 05/19/17	CUSTOMER		DWG: COPC2PB22		
SCALE: DO NOT SCALE		DESCRIPTION: STANDARD ENCLOSURE	PART NUMBER: ATCOPC2PB22				

Robroy Enclosures
500 Maple Street
Belding, Michigan 48809
Phone: 616-794-0700
Fax: 616-749-3378