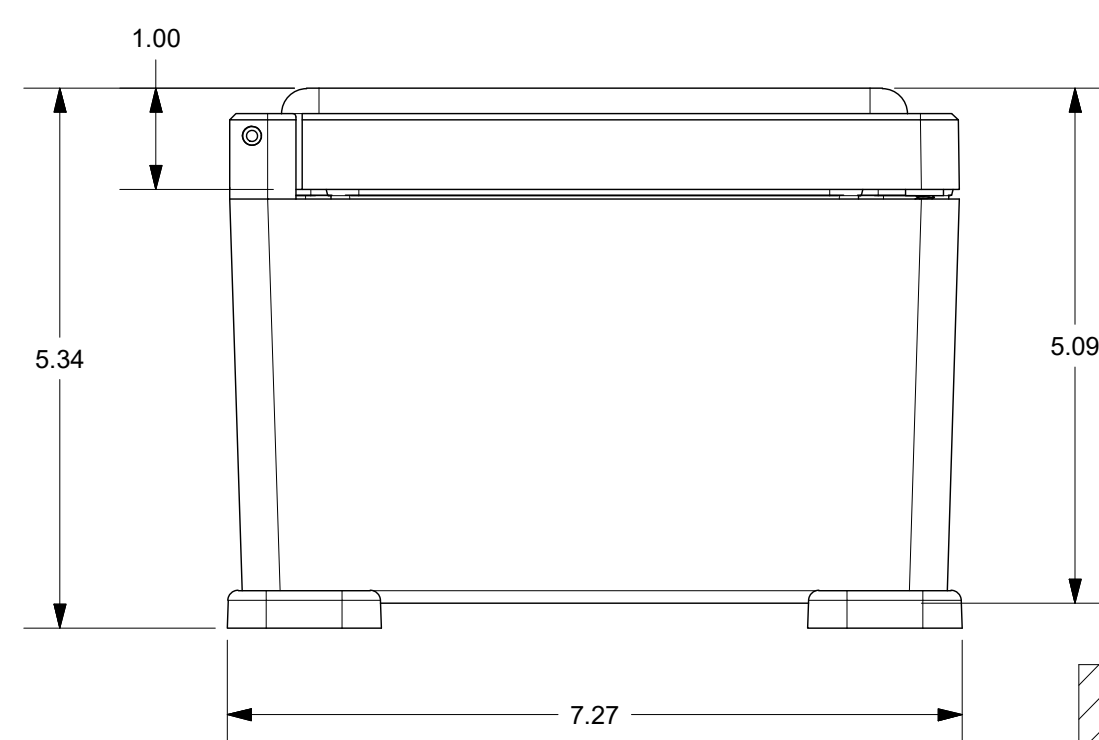
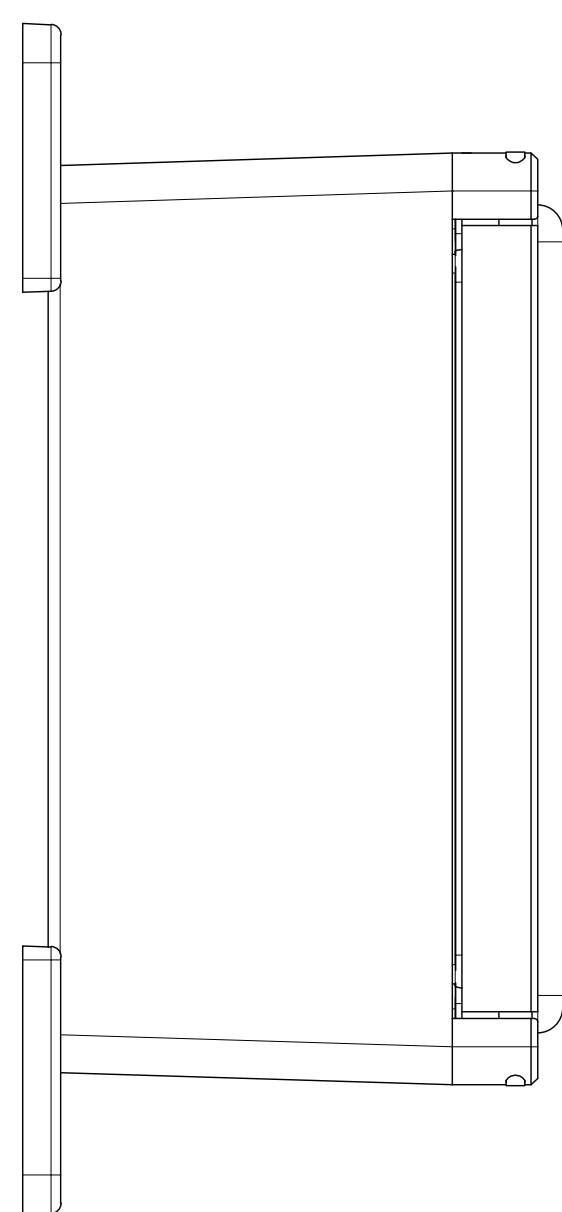
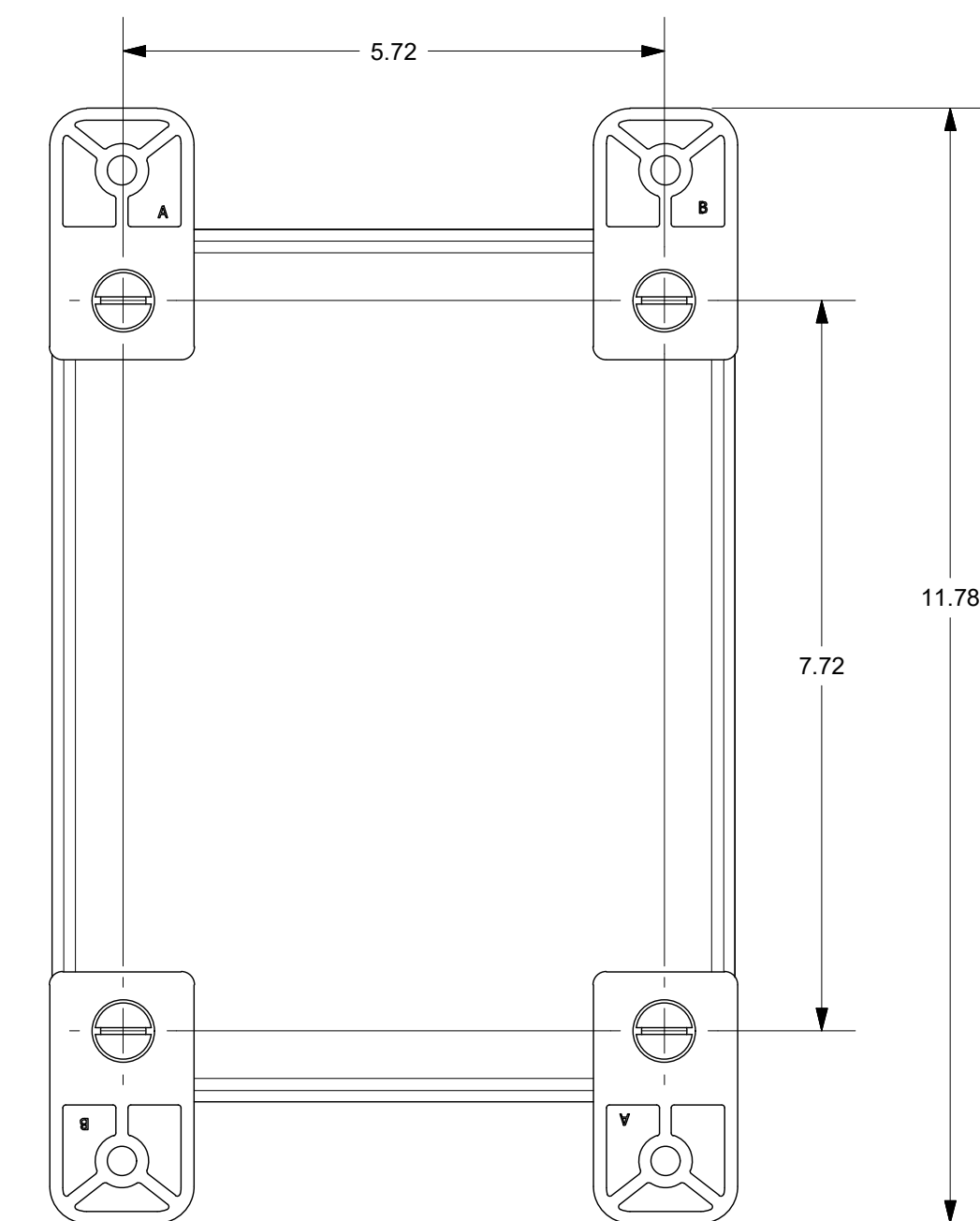


FOR REFERENCE ONLY
MOUNTING FEET SHOWN AS INSTALLED



DETAIL A

WINDOW MATERIAL: S.A.R. ACRYLIC, 1/4" THICK
 ABRABE INSIDE COVER SURFACE PRIOR TO BONDING
 WINDOW BONDED USING MA-320
 WINDOW SURFACE FLUSH TOLERANCE: +0.020 / -0.030
 0.010 MAX. EXPANSION GAP BETWEEN COVER CUTOUT & WINDOW

THIS DRAWING IS THE SOLE AND EXCLUSIVE PROPERTY OF ROBROY ENCLOSURES. NO PART OF THIS DRAWING MAY BE REPRODUCED, DISTRIBUTED, OR PUBLICALLY DISPLAYED IN ANY FORM OR BY ANY MEANS WITHOUT THE EXPRESS WRITTEN PERMISSION OF ROBROY ENCLOSURES. ALL RIGHTS RESERVED. UNDER THE COPYRIGHT LAWS. COPYRIGHT © 2017 ROBROY ENCLOSURES

END USER NOTES:
 1. TORQUE COVER SCREWS TO 20-24 IN.-LBS. TO MAINTAIN NEMA RATINGS

SPECIAL REQUIREMENTS

1. MOUNTING FEET SHOWN AS INSTALLED - FOR REFERENCE ONLY
 - SOLD SEPARATELY
 - CENTURION SERIES MOUNTING FOOT KIT (ATCEMTGFTKIT)
 - INCLUDES (4) 5/16-18 x 1/2 FLAT HEAD SLOTTED SCREWS (RMSCS16-18X1/2FL)

2. (1) CENTURION SERIES SCREW PACK (WP2PKCLBP) SHALL BE PACKAGED LOOSELY INSIDE ENCLOSURE
 HARDWARE INCLUDED:
 - (2) #10-24 x 1 PAN HEAD COMBINATION DRIVE SCREW (RMSC10-24X1COMBO)
 - (4) #10-32 x 3/8 PAN HEAD SCREW (RMSC10/32X3/8ZN)
 - (4) #10 WASHER (RMWAS10ZN)
 - (2) O-RING FOR COVER SCREW (RMASS68007)

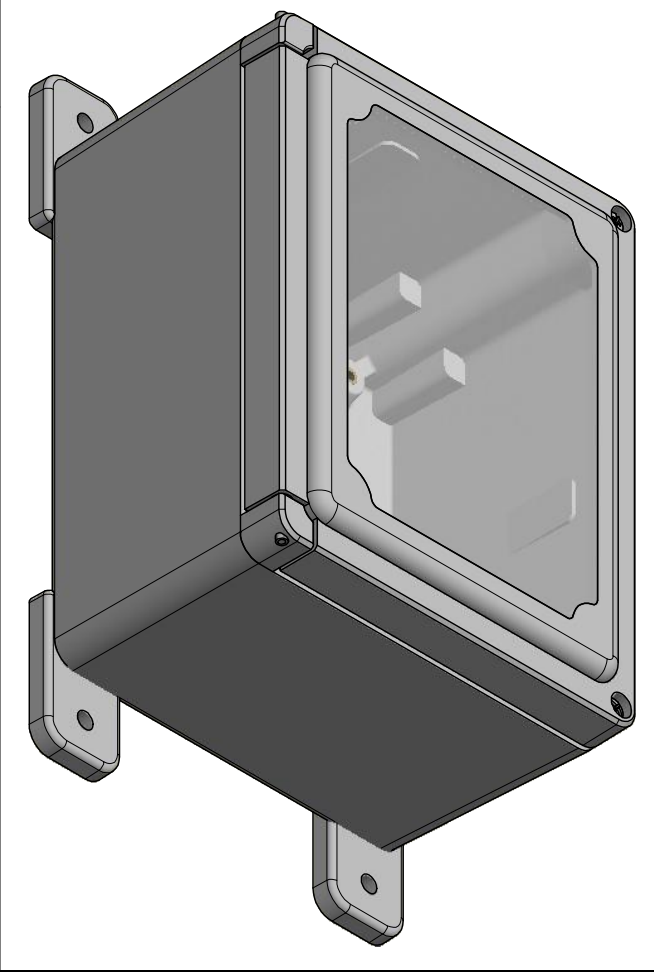
NEMA 250: TYPE	1, 3, 3S, 3R, 4X, 12	STANDARD P/N:	CEW907HW
IEC 60529:	N/A	CUSTOMER DWG:	
COLOR:	GLACIER GRAY (WPR3013)	ALL DIMENSIONS ARE IN INCHES UNLESS OTHERWISE SPECIFIED	
COLOR STANDARD:	PANTONE 428 C	TOLERANCES UNLESS SPECIFIED	.XX ± 0.03 .XXX ± 0.010

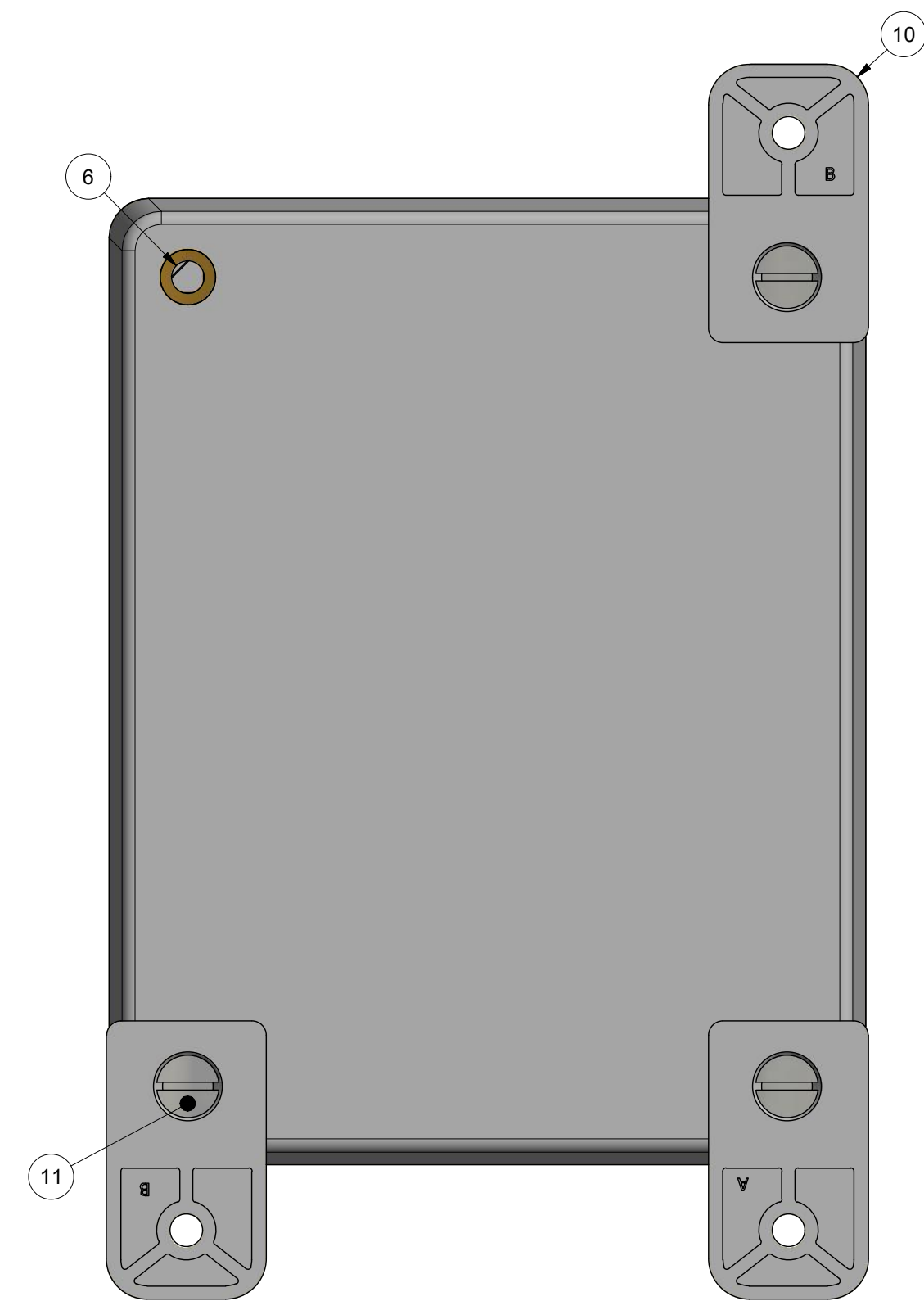
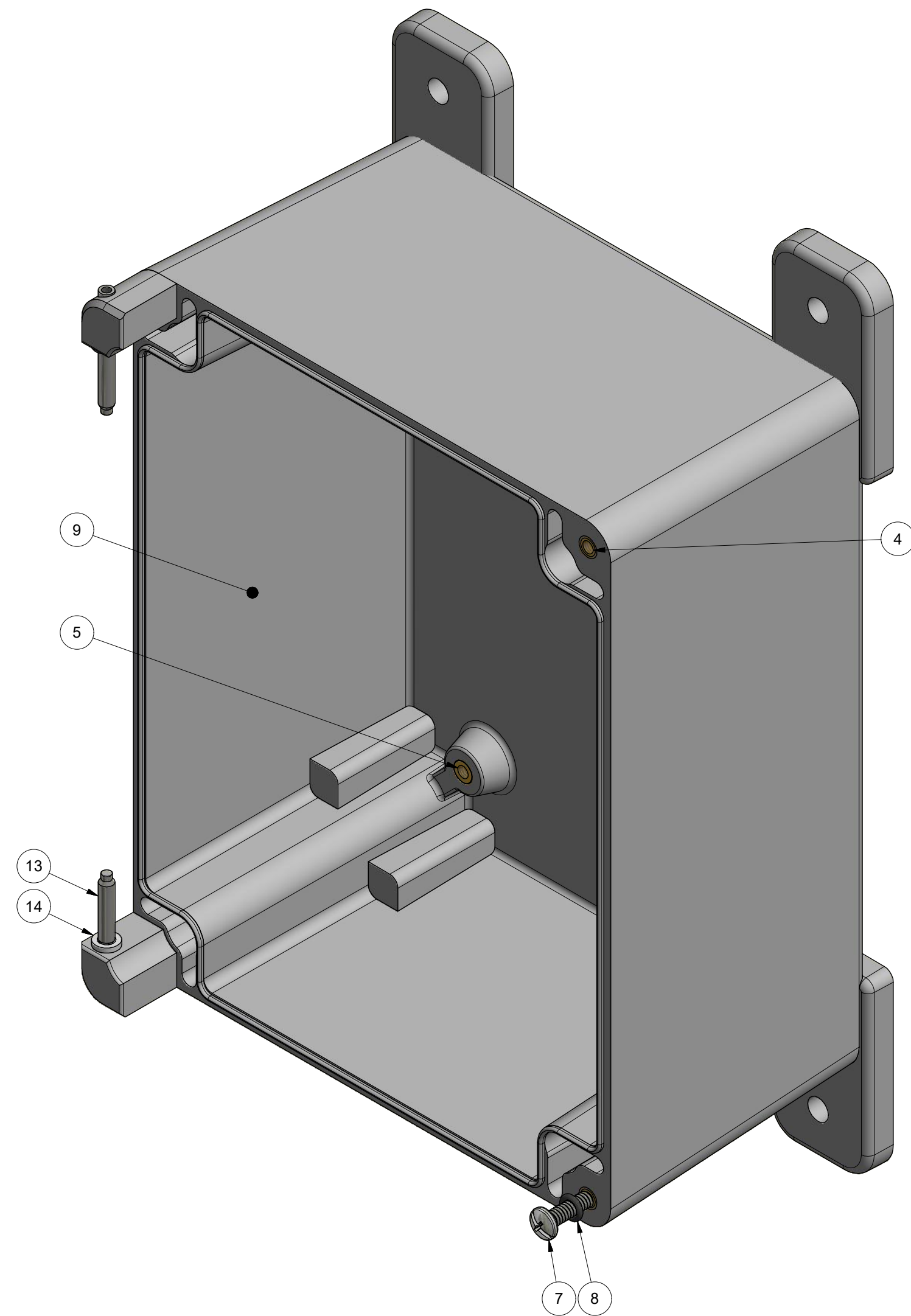
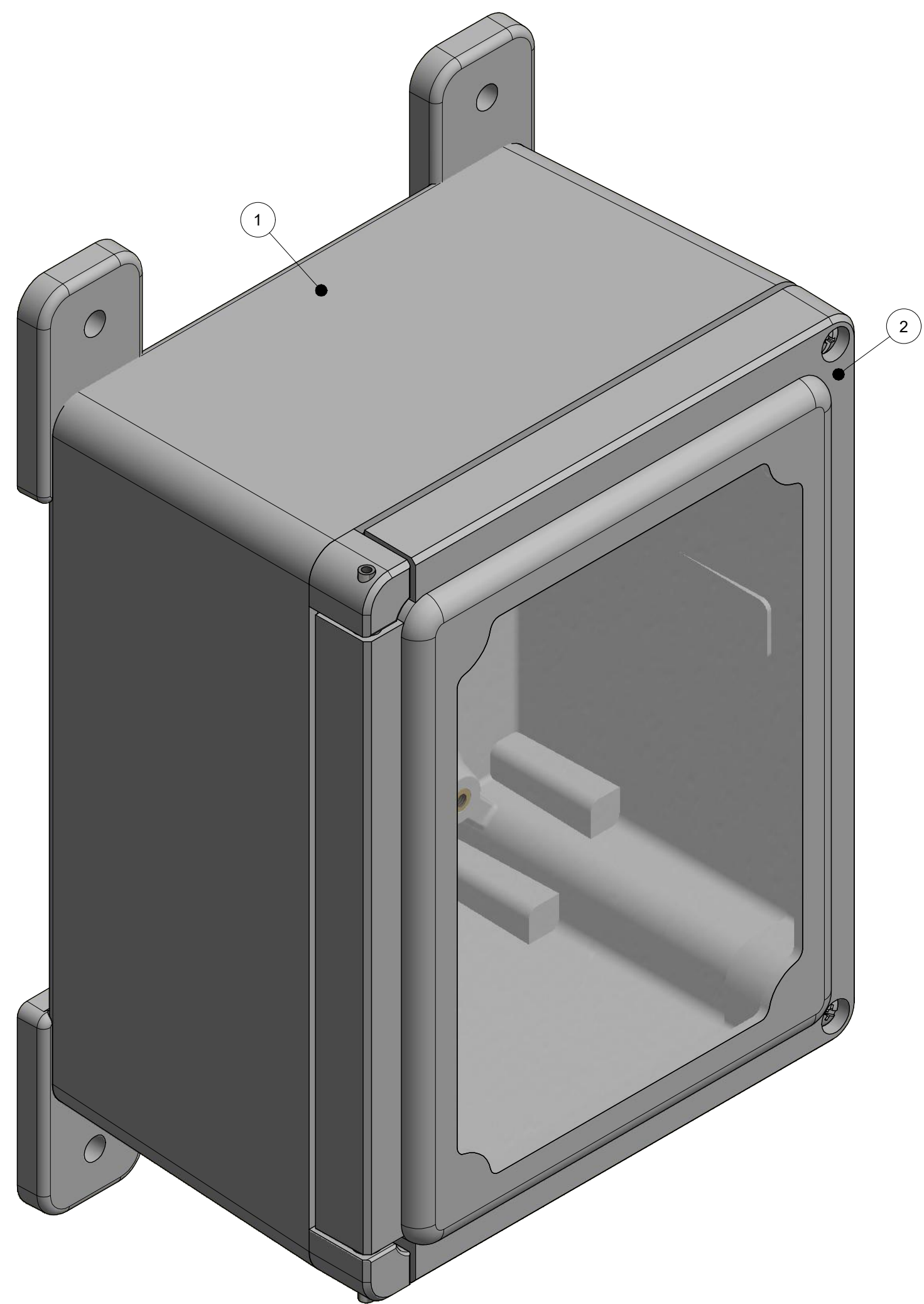
REVISION HISTORY		DATE	ENG
REV	DESCRIPTION		
-	-	-	-
-	-	-	-
-	-	-	-
-	-	-	-
-	-	-	-
-	-	-	-

AttaBox
 A ROBROY ENCLOSURES™ BRAND

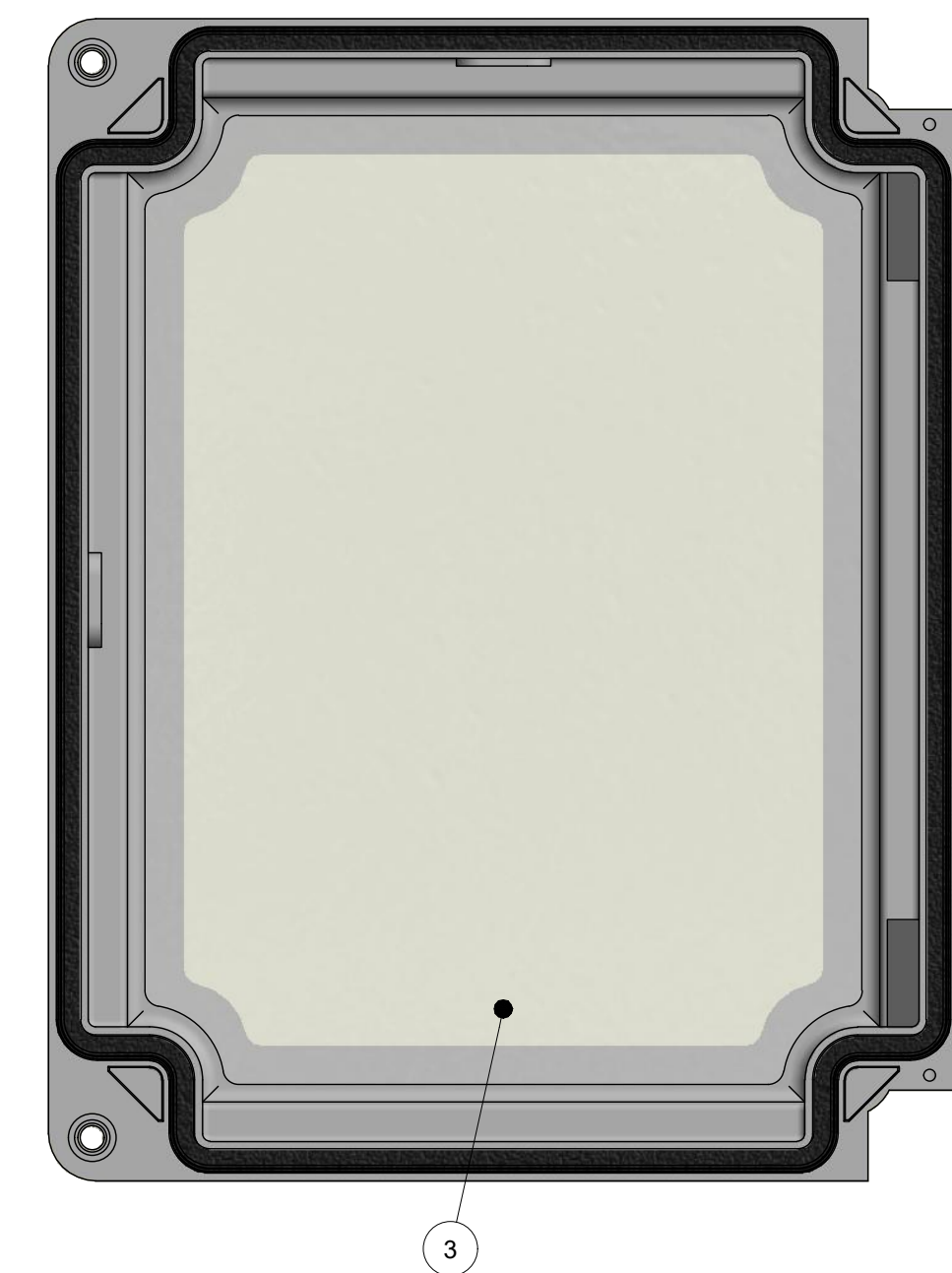
DRAWN BY	DATE	CUSTOMER	DWG
DRH	06/09/17		CEW907HW
SCALE	DESCRIPTION	PART NUMBER	
DO NOT SCALE	STANDARD ENCLOSURE	ATCEW907HW	

Robroy Enclosures
 500 Maple Street
 Belding, Michigan 48809
 Phone: 616-794-0700
 Fax: 616-749-3378





BACK SIDE
(1) MOUNTING FOOT REMOVED FOR CLARITY
TORQUE SCREWS TO 10-14 IN.-LBS.



END USER NOTES:
1. TORQUE COVER SCREWS TO 20-24 IN.-LBS. TO MAINTAIN NEMA RATINGS

PARTS LIST			
ITEM	QTY	PART NUMBER	DESCRIPTION
1	1	WP907HBOX	CEW907 MOLDED HINGE BOX
2	1	WPCW907HW	CEW907HW GASKETED & WINDOWED COVER
3	1	WPCW907HWRGLAS	ROUTED CEW907 GLASS
4	2	RMINS45821P	#10-24 THREADED BRASS INSERT
5	4	RMINS45821P	#10-32 THREADED BRASS INSERT
6	4	RMINS516	5/16-18 THREADED BRASS INSERT
7	2	RMSC10-24X1COMBO	#10-24 x 1 PAN HEAD COMBINATION DRIVE SCREW (INCLUDED WITH WP2PKCLBP)
8	2	RMA568007	O-RING FOR COVER SCREW (INCLUDED WITH WP2PKCLBP)
9	1	RMLABBLANK3X2	CEW907HW LABEL
10	1	ATCEMTGFTKIT	CENTURION SERIES MOUNTING FOOT KIT (INCLUDES (4) MOUNTING FEET WITH SCREWS)
11	4	RMSC516-18X1/2FL	5/16-18 x 1/2 FLAT HEAD SLOTTED SCREW (INCLUDED WITH ATCEMTGFTKIT)
12	1	WP2PKCLBP	CENTURION SERIES SCREW PACK
13	2	RMHINGCL2	CENTURION SERIES HINGE PIN
14	2	RMWAS16FWRT006062	CENTURION SERIES HINGE PIN WASHER

THIS DRAWING IS THE SOLE AND EXCLUSIVE PROPERTY OF ROBROY ENCLOSURES. NO PART OF THIS DRAWING MAY BE REPRODUCED, DISTRIBUTED, OR PUBLICALLY DISPLAYED IN ANY FORM OR BY ANY MEANS WITHOUT THE EXPRESS WRITTEN PERMISSION OF ROBROY ENCLOSURES. ALL RIGHTS RESERVED. UNDER THE COPYRIGHT LAWS. COPYRIGHT © 2017 ROBROY ENCLOSURES.

SPECIAL REQUIREMENTS	
ASSEMBLY:	1. MOUNTING FEET SHOWN AS INSTALLED - FOR REFERENCE ONLY
	- SOLD SEPARATELY
	- CENTURION SERIES MOUNTING FOOT KIT (ATCEMTGFTKIT)
	- INCLUDES (4) 5/16-18 x 1/2 FLAT HEAD SLOTTED SCREWS (RMSC516-18X1/2FL)
	2. (1) CENTURION SERIES SCREW PACK (WP2PKCLBP) SHALL BE PACKAGED LOOSELY INSIDE ENCLOSURE
	HARDWARE INCLUDED:
	(2) #10-24 x 1 PAN HEAD COMBINATION DRIVE SCREW (RMSC10-24X1COMBO)
	(4) #10-32 x 3/8 PAN HEAD SCREW (RMSC10/32X3/8ZN)
	(4) #10 WASHER (RMWAS10ZN)
	(2) O-RING FOR COVER SCREW (RMA568007)

NEMA 250: TYPE	1, 3, 3S, 3R, 4X, 12
IEC 60529:	N/A
COLOR:	GLACIER GRAY (WPR3013)
COLOR STANDARD:	PANTONE 428 C

STANDARD P/N:	CEW907HW
CUSTOMER DWG:	

ALL DIMENSIONS ARE IN INCHES UNLESS OTHERWISE SPECIFIED		TOLERANCES UNLESS SPECIFIED	.XX ± 0.03	.XXX ± 0.010
MATERIAL: FIBERGLASS REINFORCED POLYESTER (FRP)				
DRAWN BY	DATE	CUSTOMER	DWG	
DRH	06/09/17		CEW907HW	
SCALE	DESCRIPTION	PART NUMBER		
DO NOT SCALE	STANDARD ENCLOSURE	ATCEW907HW		

Robroy Enclosures
500 Maple Street
Belding, Michigan 48809
Phone: 616-794-0700
Fax: 616-749-3378