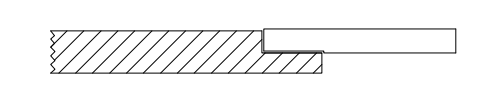
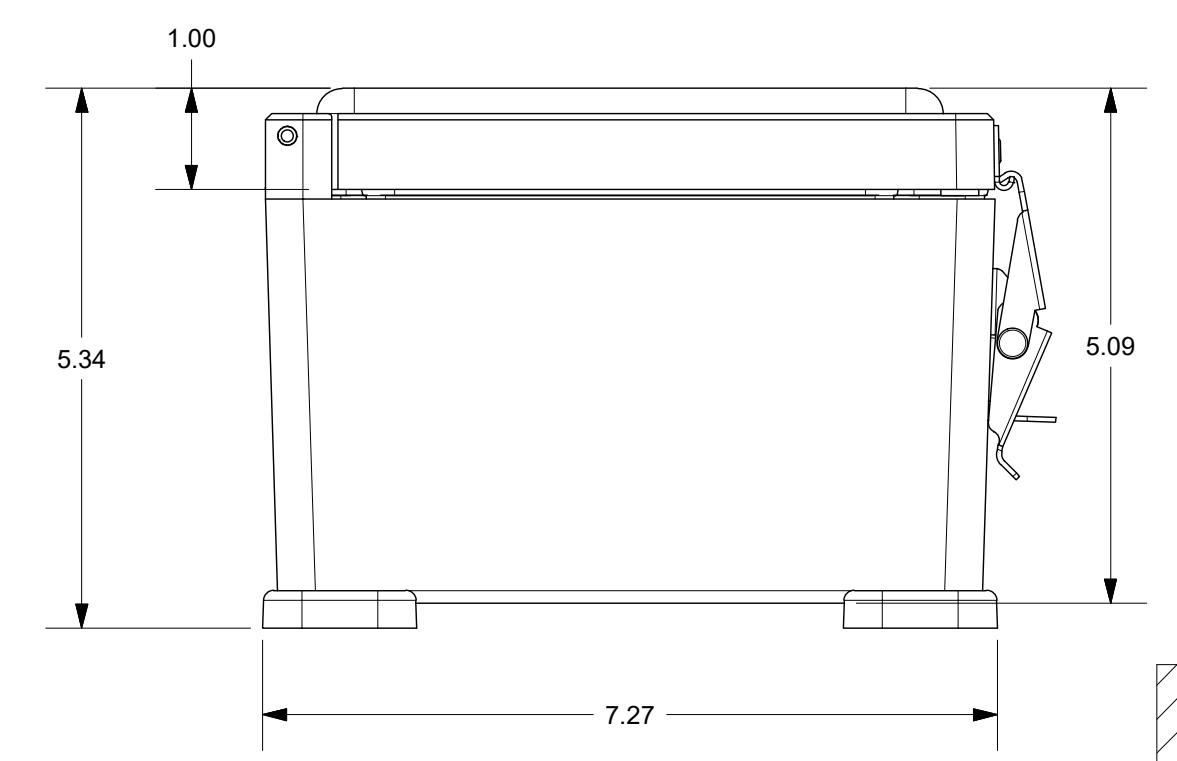
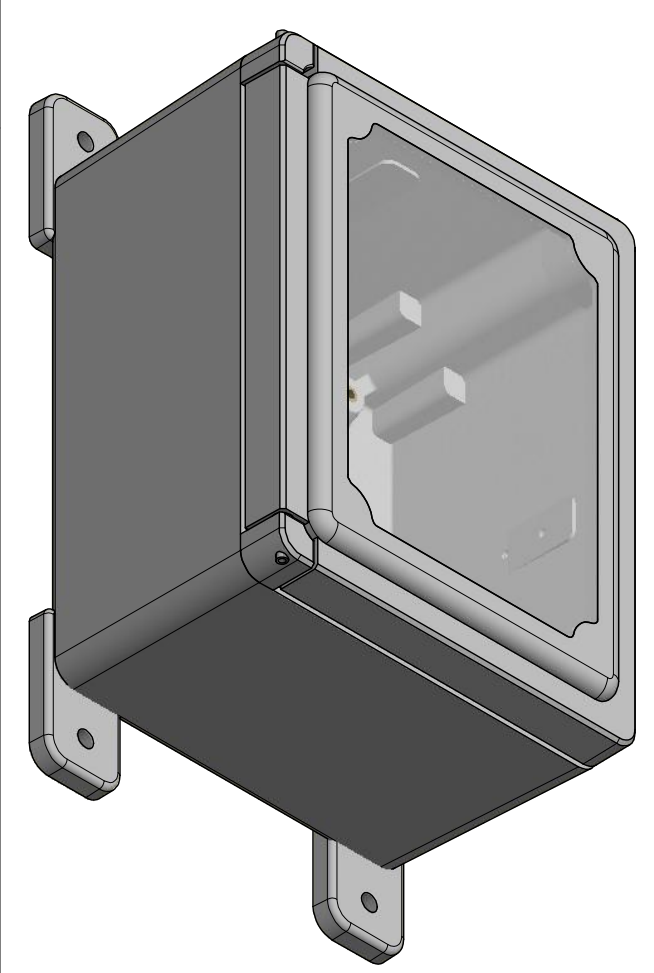
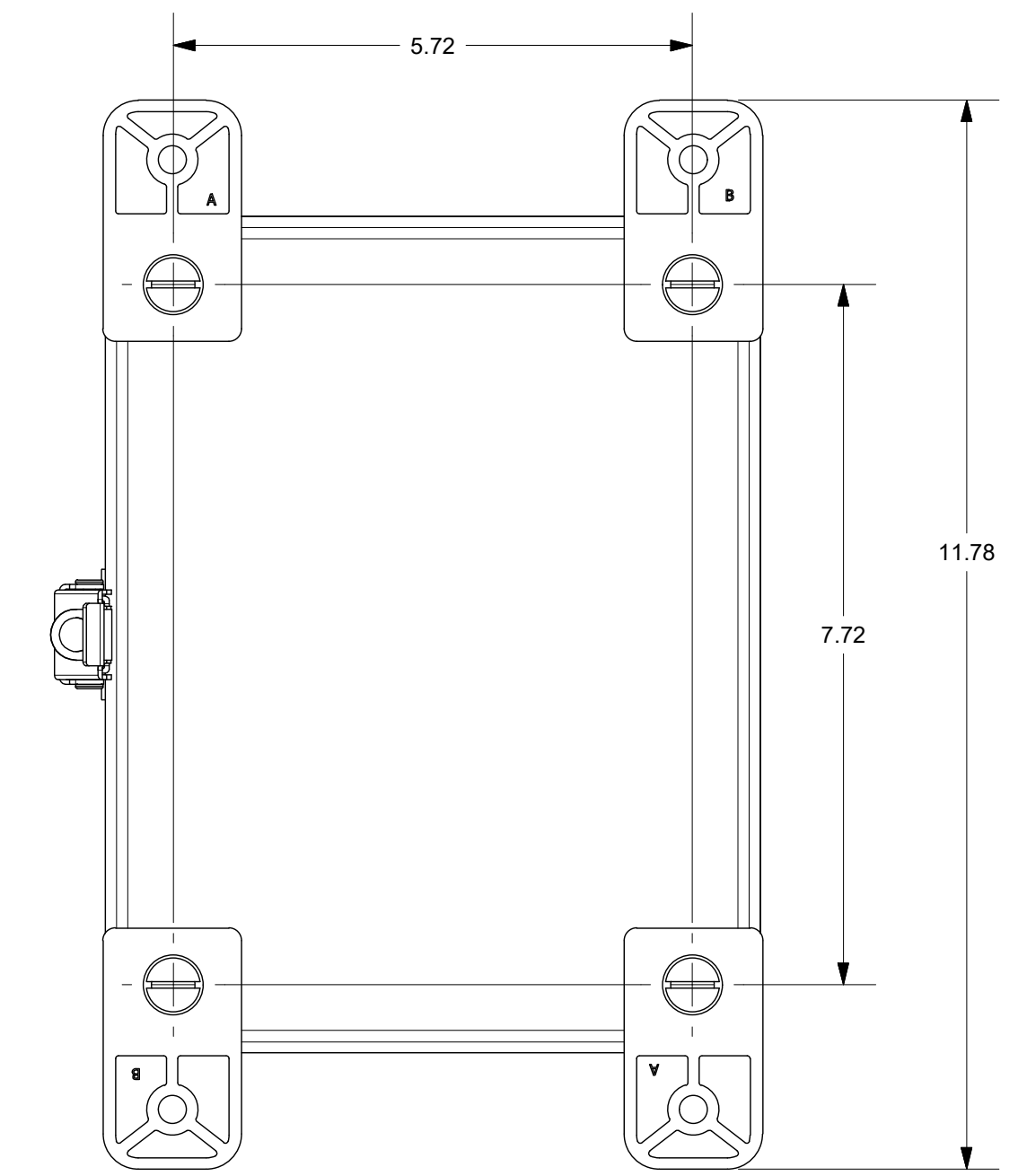
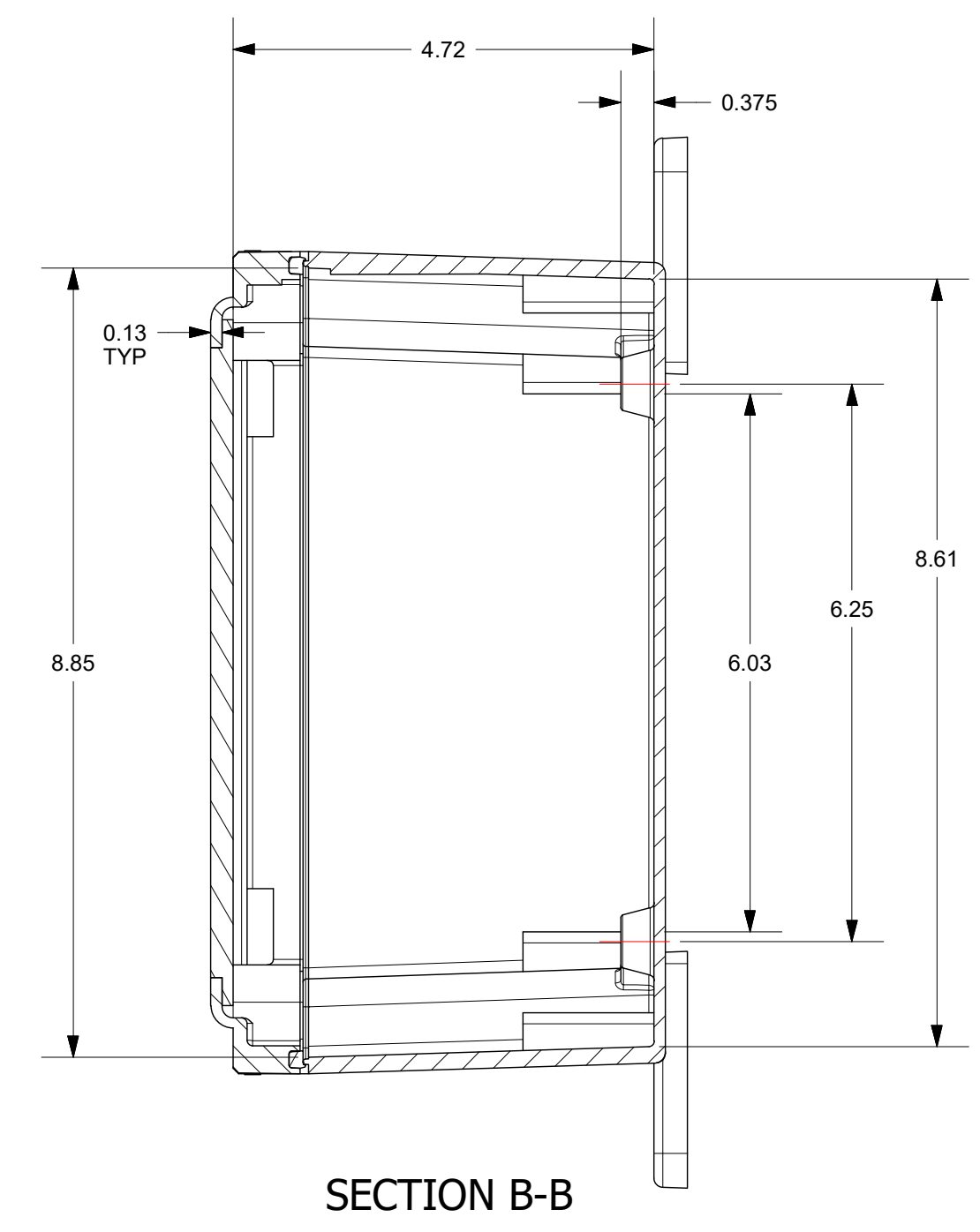
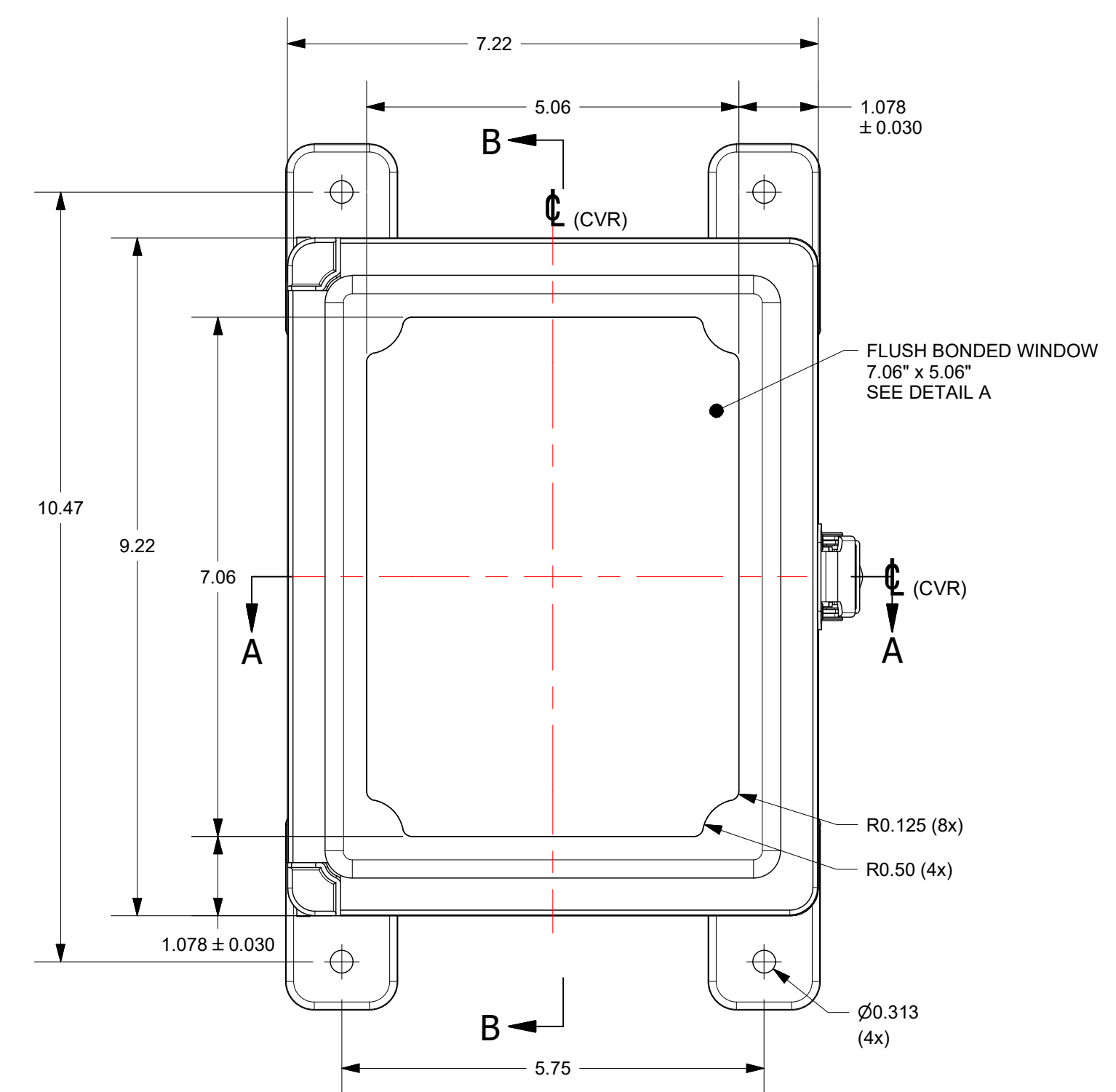
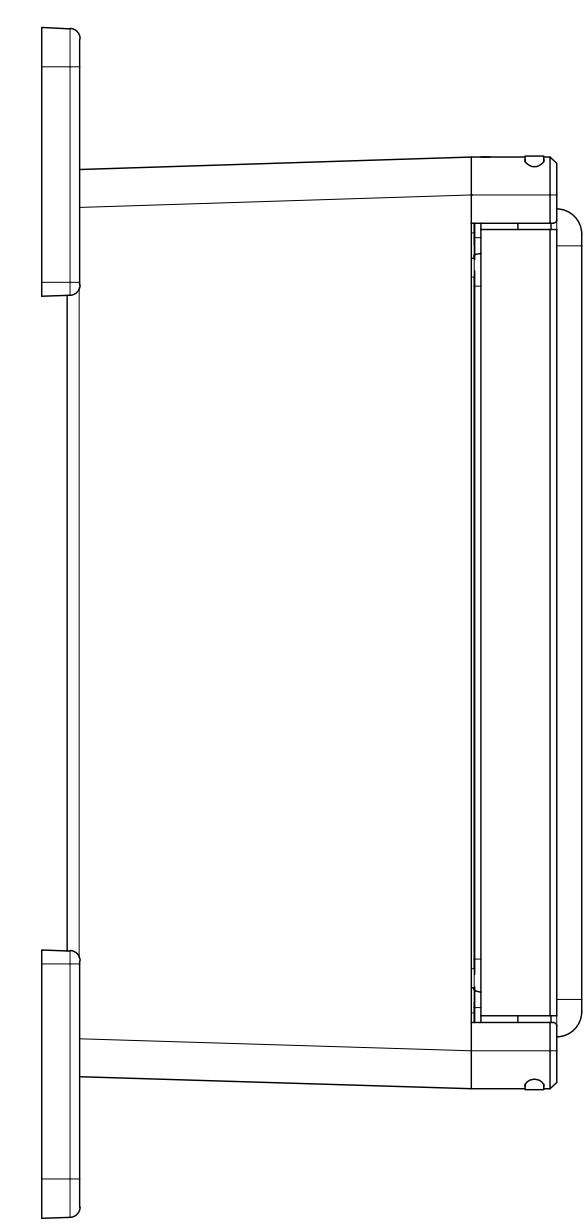


FOR REFERENCE ONLY
MOUNTING FEET SHOWN AS INSTALLED



DETAIL A
WINDOW MATERIAL: S.A.R. ACRYLIC, 1/4" THICK
ABRADE INSIDE COVER SURFACE PRIOR TO BONDING
WINDOW BONDED USING MA-320
WINDOW SURFACE FLUSH TOLERANCE: +0.020 / -0.030
0.010 MAX. EXPANSION GAP BETWEEN COVER CUTOUT & WINDOW

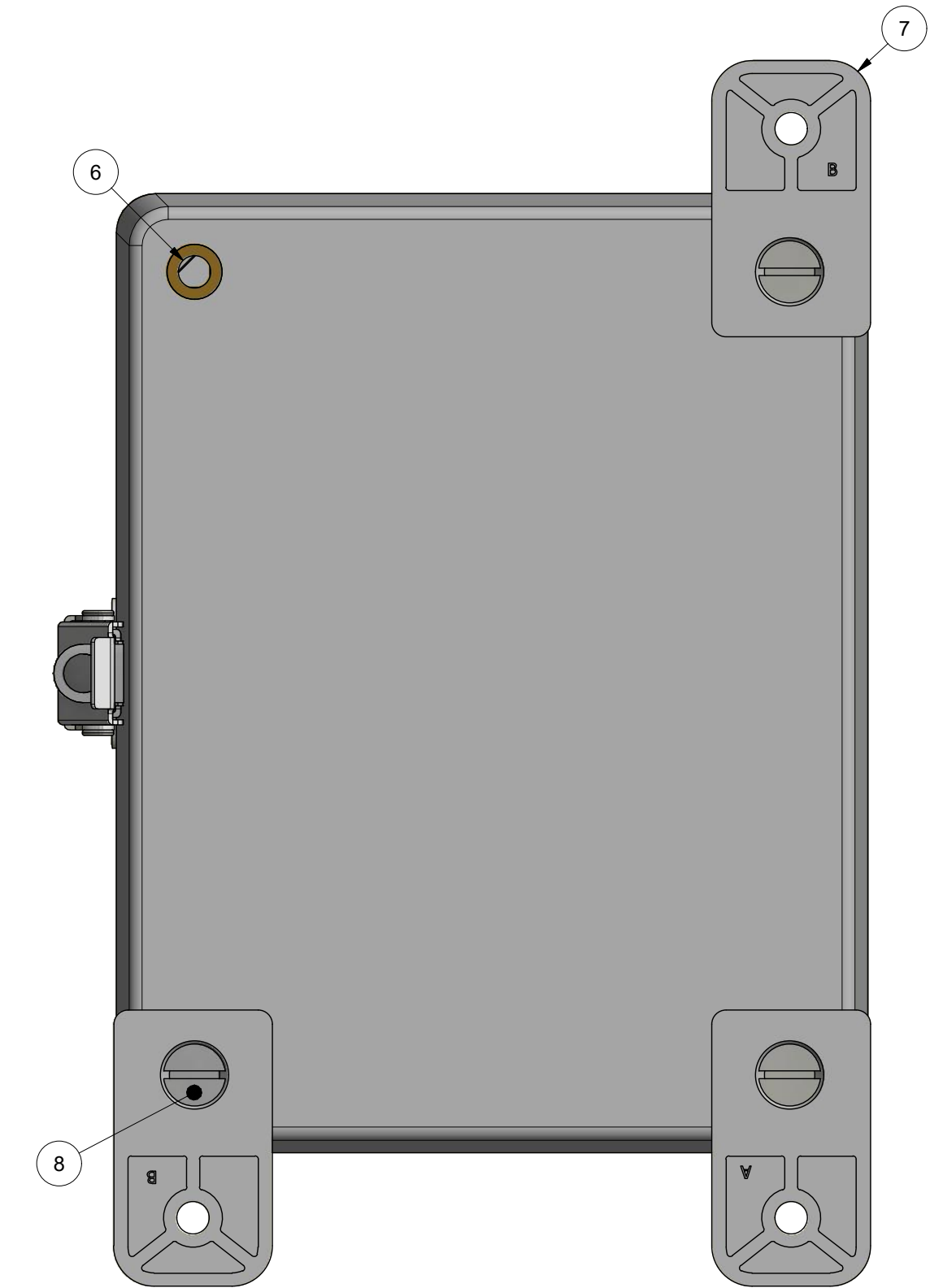
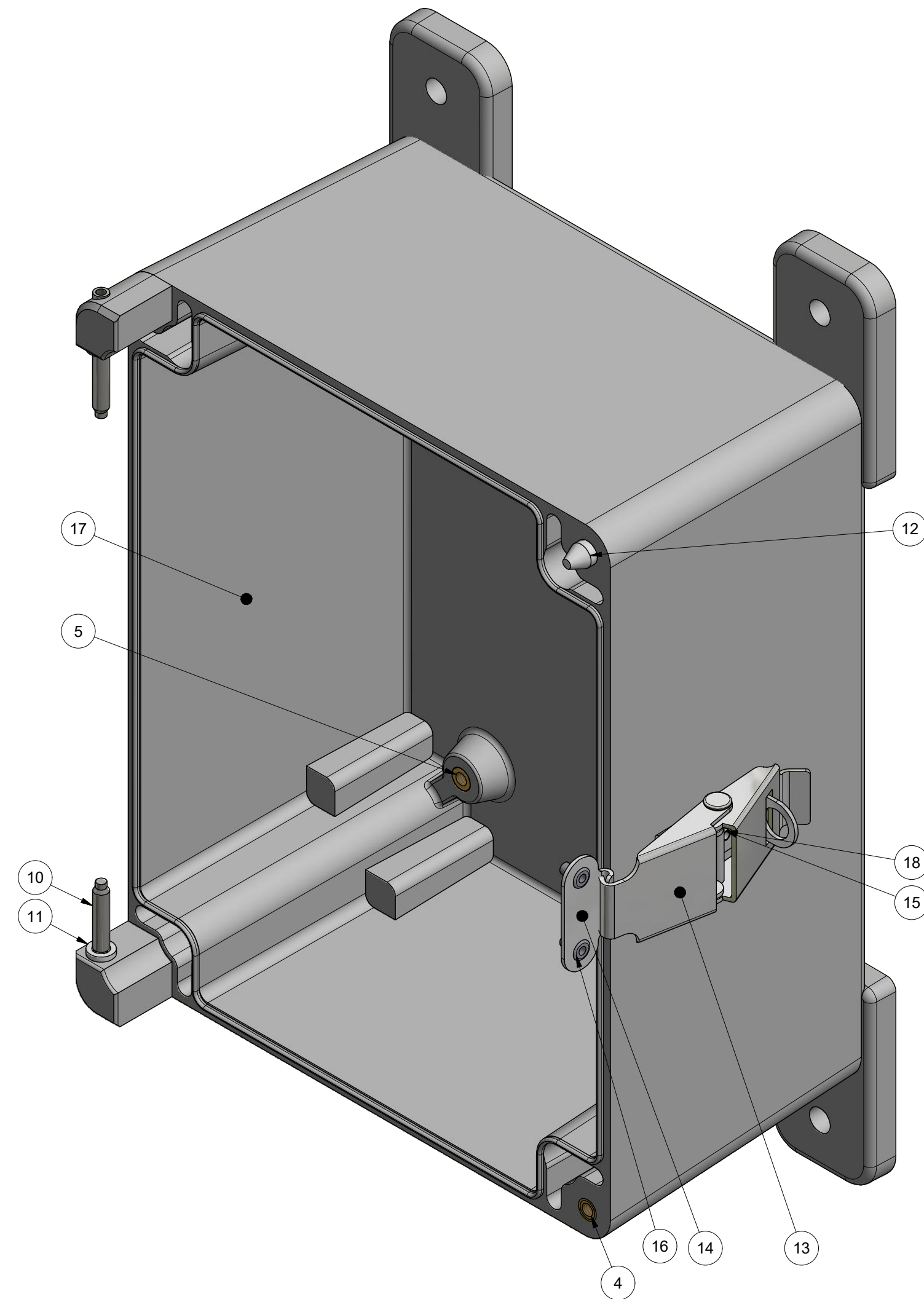
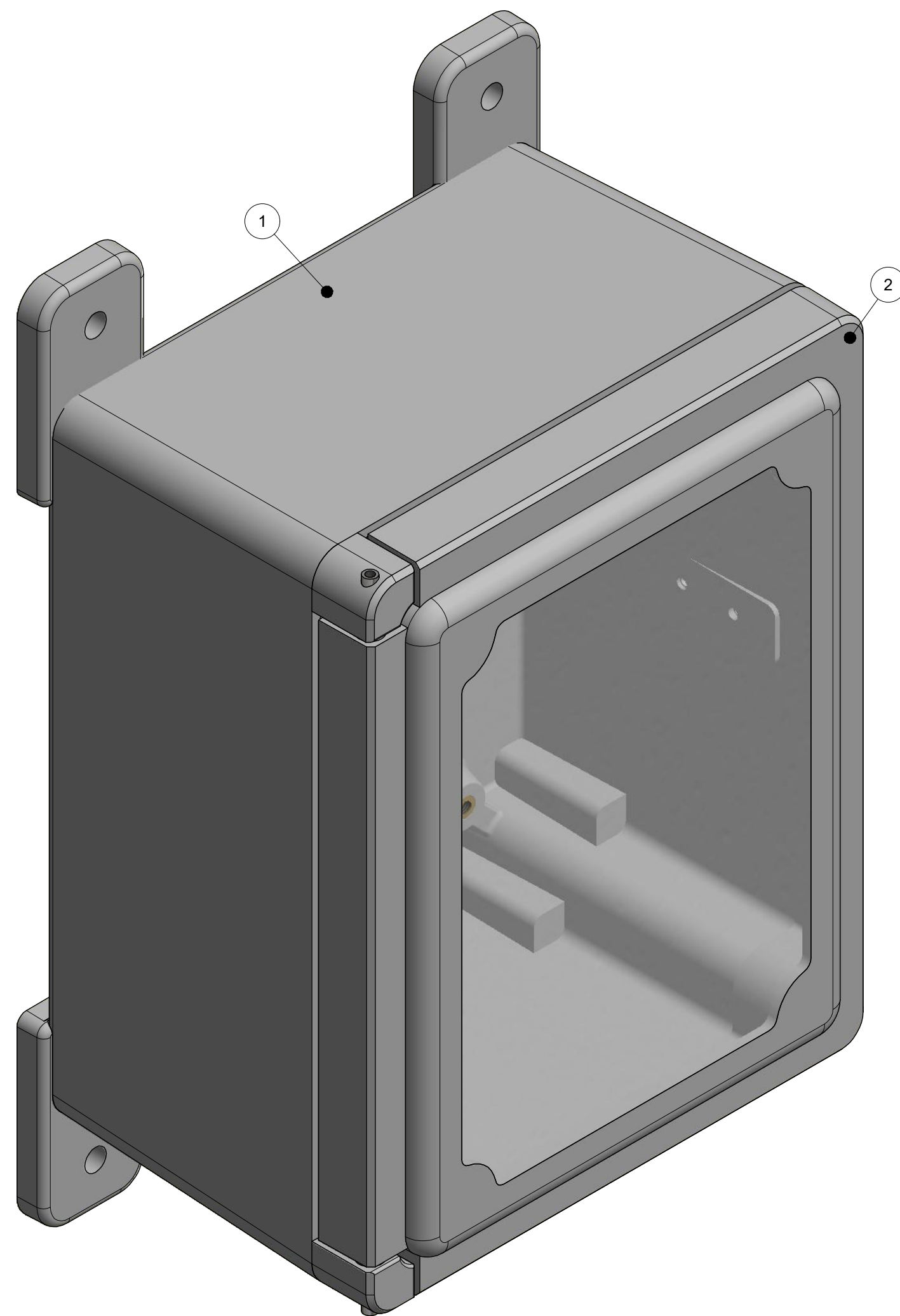
THIS DRAWING IS THE SOLE AND EXCLUSIVE PROPERTY OF ROBROY ENCLOSURES. NO PART OF THIS DRAWING MAY BE REPRODUCED, DISTRIBUTED, OR PUBLICALLY DISPLAYED IN ANY FORM OR BY ANY MEANS WITHOUT THE EXPRESS WRITTEN PERMISSION OF ROBROY ENCLOSURES. ALL RIGHTS RESERVED. UNDER THE COPYRIGHT LAWS. COPYRIGHT © 2017 ROBROY ENCLOSURES.

SPECIAL REQUIREMENTS
1. MOUNTING FEET SHOWN AS INSTALLED - FOR REFERENCE ONLY
- SOLD SEPARATELY
- CENTURION SERIES MOUNTING FOOT KIT (ATCEMTGFKIT)
- INCLUDES (4) 5/16-18 x 1/2 FLAT HEAD SLOTTED SCREWS (RMSC5/16-18X1/2FL)
2. (1) CENTURION SERIES SCREW PACK (WP4PKBP) SHALL BE PACKAGED LOOSELY INSIDE ENCLOSURE
HARDWARE INCLUDED:
-(4) #10-32 x 3/8 PAN HEAD SCREW (RMSC10/32X3/8ZN)
-(4) #10 WASHER (RMWAS10ZN)

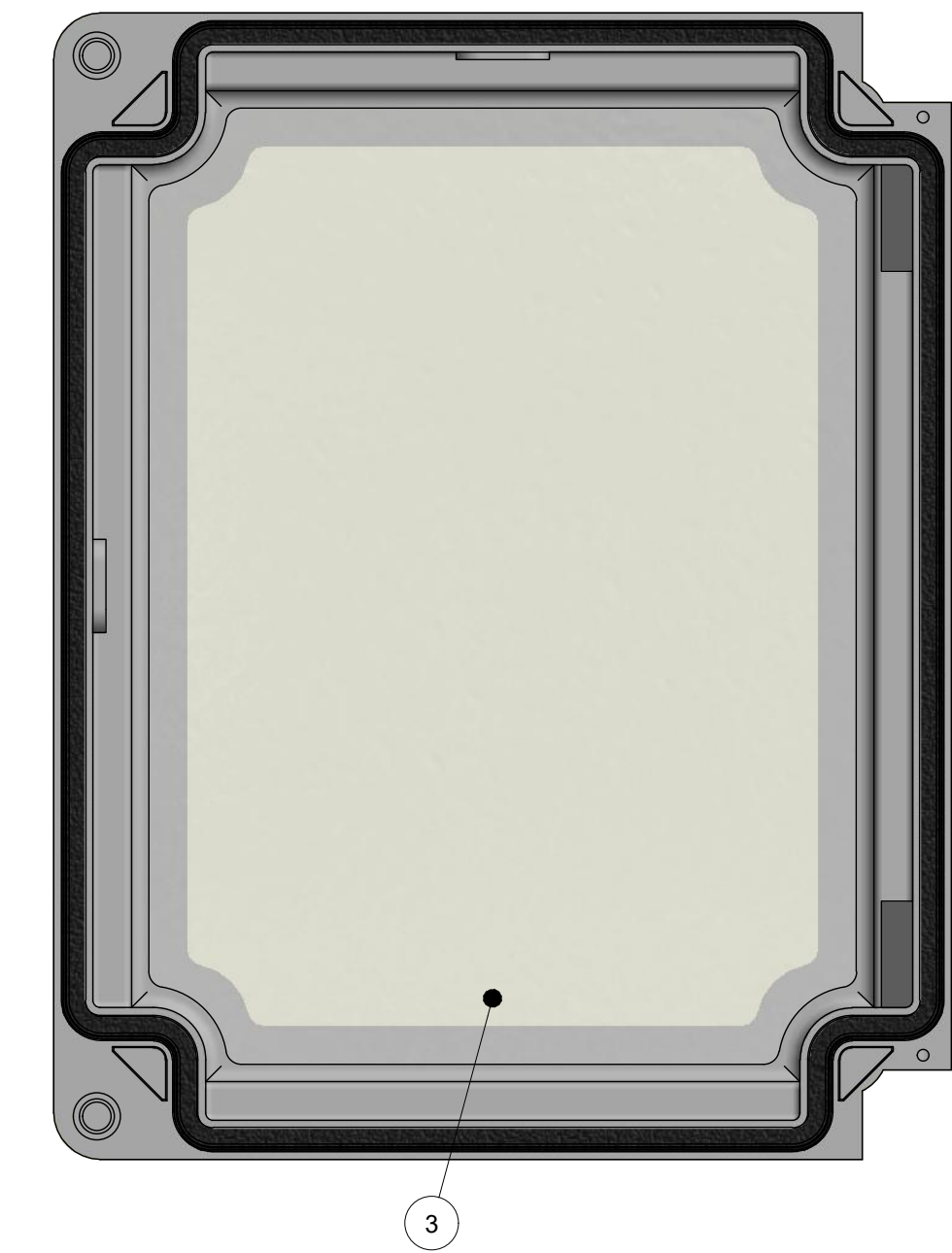
NEMA 250: TYPE 1, 3, 3S, 3R, 4X, 12	STANDARD P/N: CEW907HPL		
IEC 60529: N/A	CUSTOMER DWG:		
COLOR: GLACIER GRAY (WPR3013)			
COLOR STANDARD: PANTONE 428 C			
MATERIAL: FIBERGLASS REINFORCED POLYESTER (FRP)			
REVISION HISTORY			
REV	DESCRIPTION	DATE	ENG
-	-	-	-
-	-	-	-
-	-	-	-
-	-	-	-
-	-	-	-
-	-	-	-
-	-	-	-

ALL DIMENSIONS ARE IN INCHES UNLESS OTHERWISE SPECIFIED		TOLERANCES UNLESS SPECIFIED	.XX ± 0.03	.XXX ± 0.010
DRAWN BY: DRH		DATE: 06/09/17	CUSTOMER:	DWG: CEW907HPL
SCALE: DO NOT SCALE	DESCRIPTION: STANDARD ENCLOSURE	PART NUMBER: ATCEW907HPL		





BACK SIDE
(1) MOUNTING FOOT REMOVED FOR CLARITY
TORQUE SCREWS TO 10-14 IN.-LBS.



NOTES:
1. RTV 732 SILICONE SEALANT SHALL BE APPLIED UNDER ALL LATCHES AROUND LATCH HOLES AND TOP OF RIVET AFTER INSTALLATION

PARTS LIST			
ITEM	QTY	PART NUMBER	DESCRIPTION
1	1	WP907HBOX	CEW907 MOLDED HINGE BOX
2	1	WPCW907H	CEW907HPL GASKETED & WINDOWED COVER
3	1	WPCW907RGLAS	ROUTED CEW907 GLASS
4	2	RMINS45821P	#10-24 THREADED BRASS INSERT
5	4	RMINS45821P	#10-32 THREADED BRASS INSERT
6	4	RMINS5/16	5/16-18 THREADED BRASS INSERT
7	1	ATCEMTGFTKIT	CENTURION SERIES MOUNTING FOOT KIT (INCLUDES (4) MOUNTING FEET WITH SCREWS)
8	4	RMSC5/16-18X1/2FL	5/16-18 x 1/2 FLAT HEAD SLOTTED SCREW (INCLUDED WITH ATCEMTGFTKIT)
9	1	WP4PKBP	CENTURION SERIES SCREW PACK
10	2	RMHINGCL2	CENTURION SERIES HINGE PIN
11	2	RMWAS16FWRT006062	CENTURION SERIES HINGE PIN WASHER
12	1	RMSCCL305375	ALIGNMENT PIN
13	1	RMLATPLSSL	BLANK HPL LATCH
14	1	RMKEEPLL150	HLL KEEPER
15	2	RMRIV44	LATCH RIVET
16	2	RMRIV46	KEEPER RIVET
17	1	RMLABBLANK3X2	CEW907HPL LABEL
18	AR	RTV-732	SILICONE SEALANT

THIS DRAWING IS THE SOLE AND EXCLUSIVE PROPERTY OF ROBROY ENCLOSURES. NO PART OF THIS DRAWING MAY BE REPRODUCED, DISTRIBUTED, OR PUBLICALLY DISPLAYED IN ANY FORM OR BY ANY MEANS WITHOUT THE EXPRESS WRITTEN PERMISSION OF ROBROY ENCLOSURES. ALL RIGHTS RESERVED. UNDER THE COPYRIGHT LAWS. COPYRIGHT © 2017 ROBROY ENCLOSURES.

SPECIAL REQUIREMENTS
 1. MOUNTING FEET SHOWN AS INSTALLED - FOR REFERENCE ONLY
 - SOLD SEPARATELY
 - CENTURION SERIES MOUNTING FOOT KIT (ATCEMTGFTKIT)
 - INCLUDES (4) 5/16-18 x 1/2 FLAT HEAD SLOTTED SCREWS (RMSC5/16-18X1/2FL)
 2. (1) CENTURION SERIES SCREW PACK (WP4PKBP) SHALL BE PACKAGED LOOSELY INSIDE ENCLOSURE
 - HARDWARE INCLUDED:
 (4) #10-32 x 3/8 PAN HEAD SCREW (RMSC10/32X3/8ZN)
 (4) #10 WASHER (RMWAS10ZN)

NEMA 250: TYPE 1, 3, 3S, 3R, 4X, 12
 IEC 60529: N/A
 COLOR: GLACIER GRAY (WPR3013)
 COLOR STANDARD: PANTONE 428 C

STANDARD P/N:	CEW907HPL	ALL DIMENSIONS ARE IN INCHES UNLESS OTHERWISE SPECIFIED	TOLERANCES UNLESS SPECIFIED	.XX ± 0.03	.XXX ± 0.010				
CUSTOMER DWG:		<p>AttaBox A ROBROY ENCLOSURES™ BRAND</p> <p>Robroy Enclosures 500 Maple Street Belding, Michigan 48809 Phone: 616-794-0700 Fax: 616-749-3378</p>							
DRAWN BY:	DRH					DATE:	06/09/17	CUSTOMER:	
SCALE:	DO NOT SCALE					DESCRIPTION:	STANDARD ENCLOSURE	PART NUMBER:	ATCEW907HPL