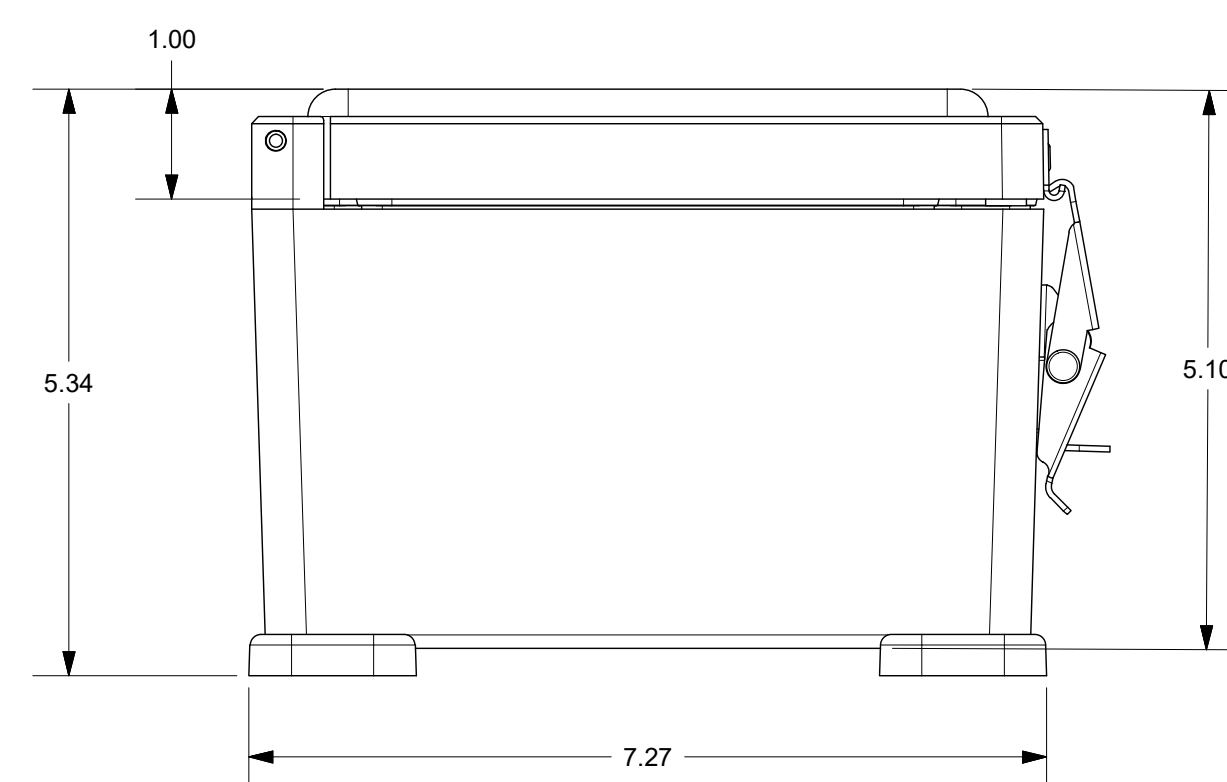
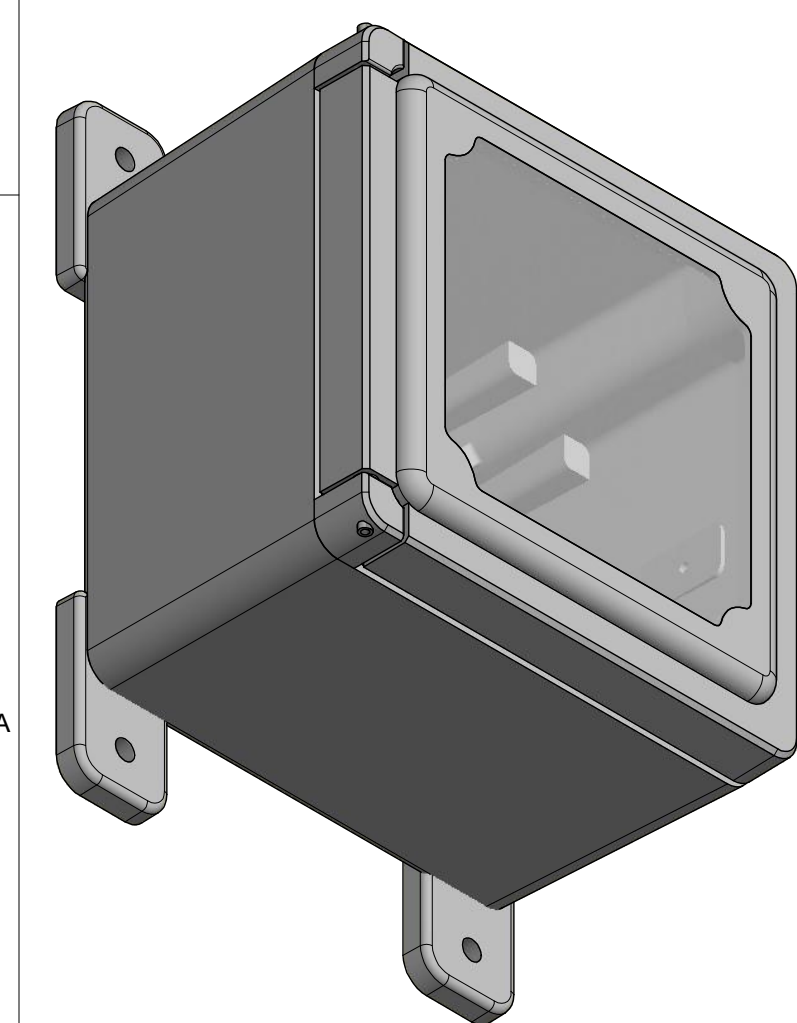
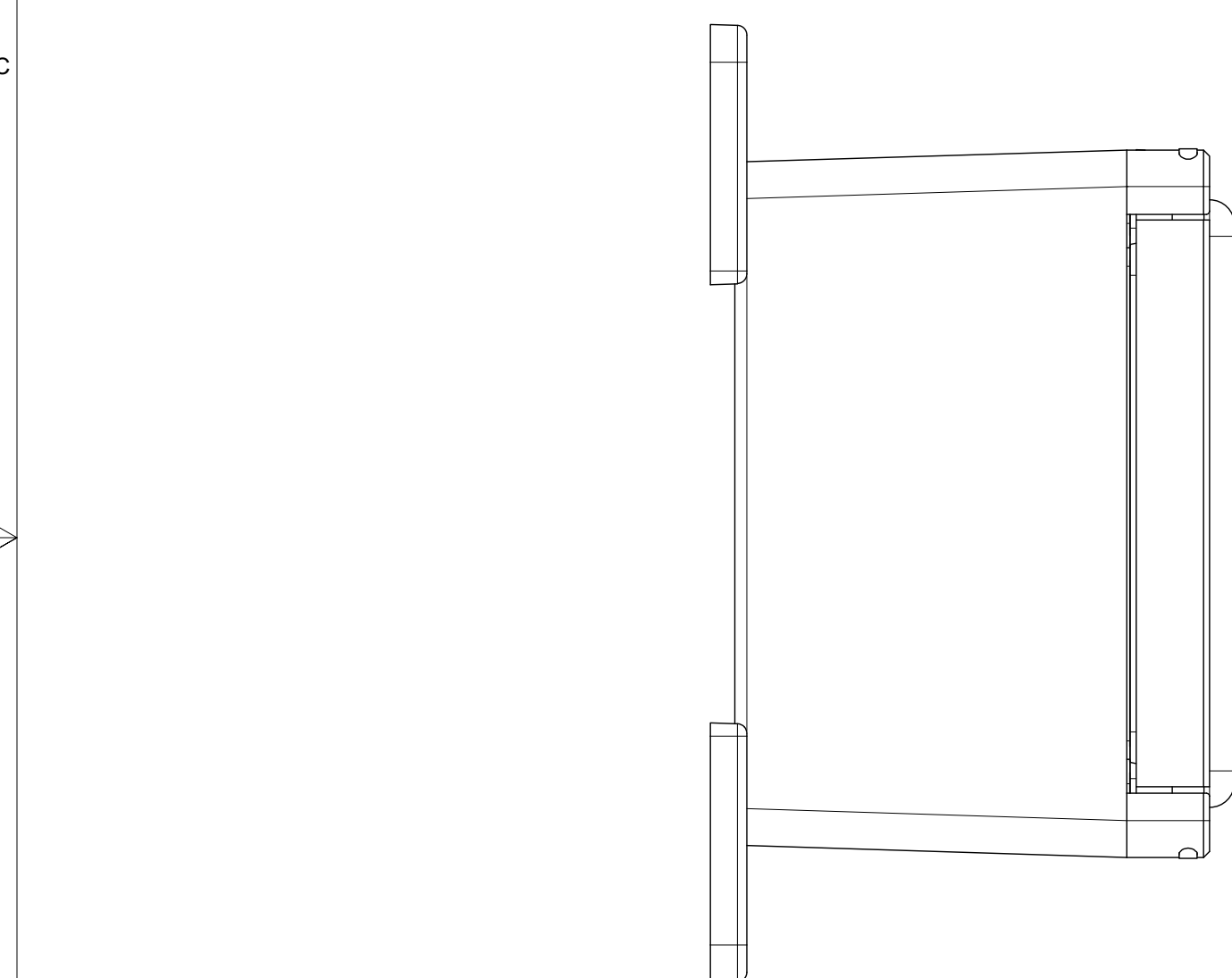
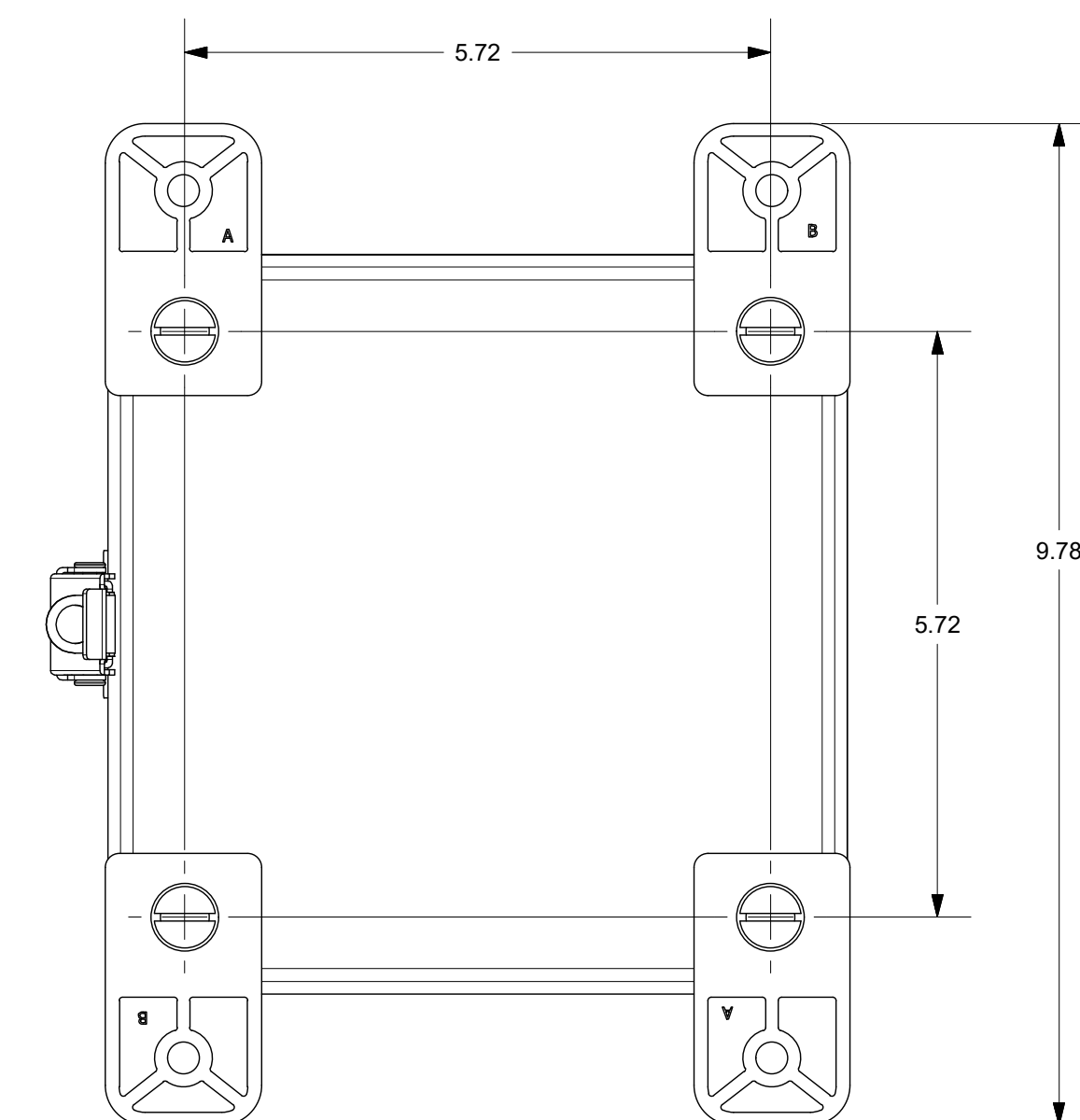
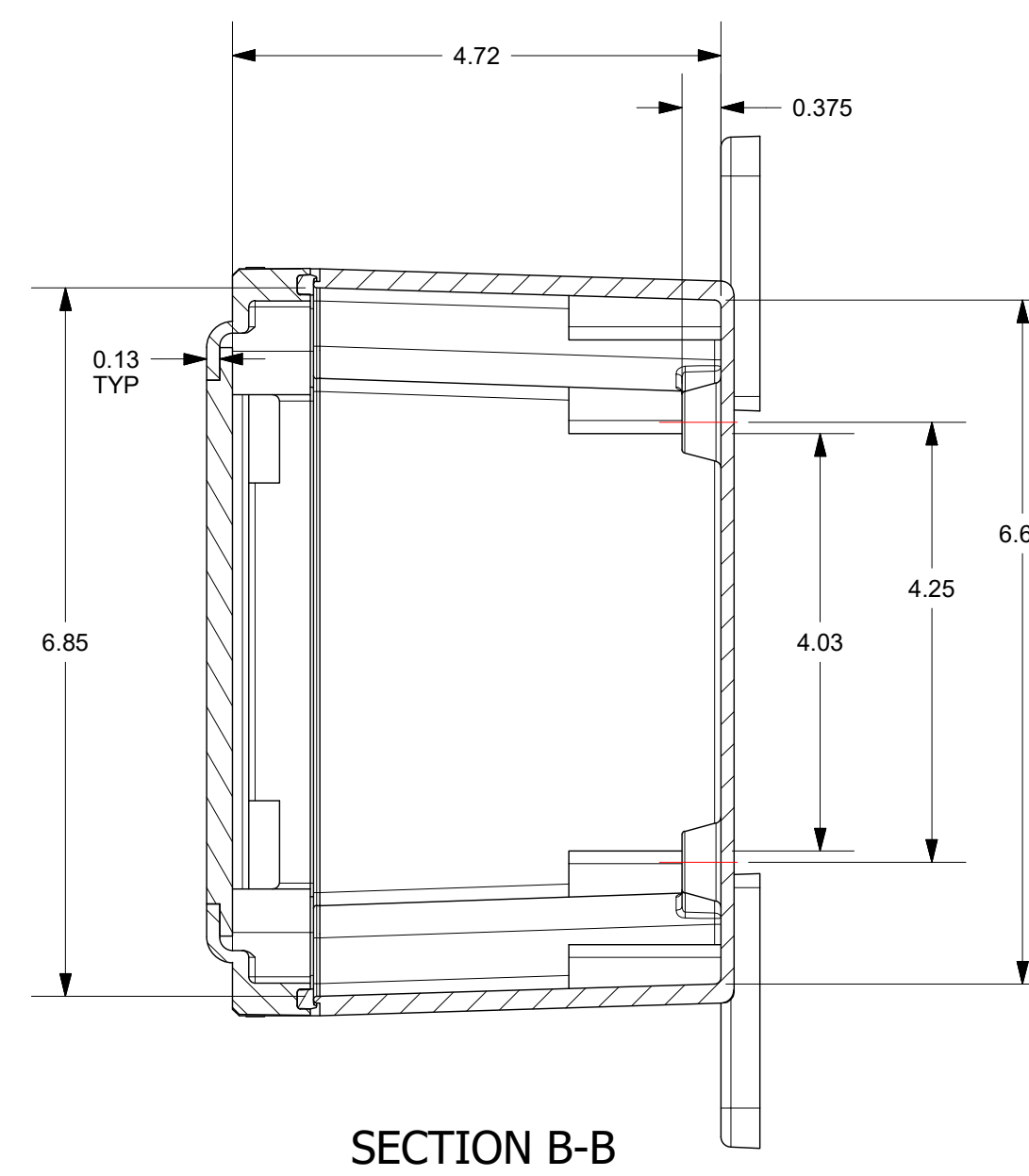
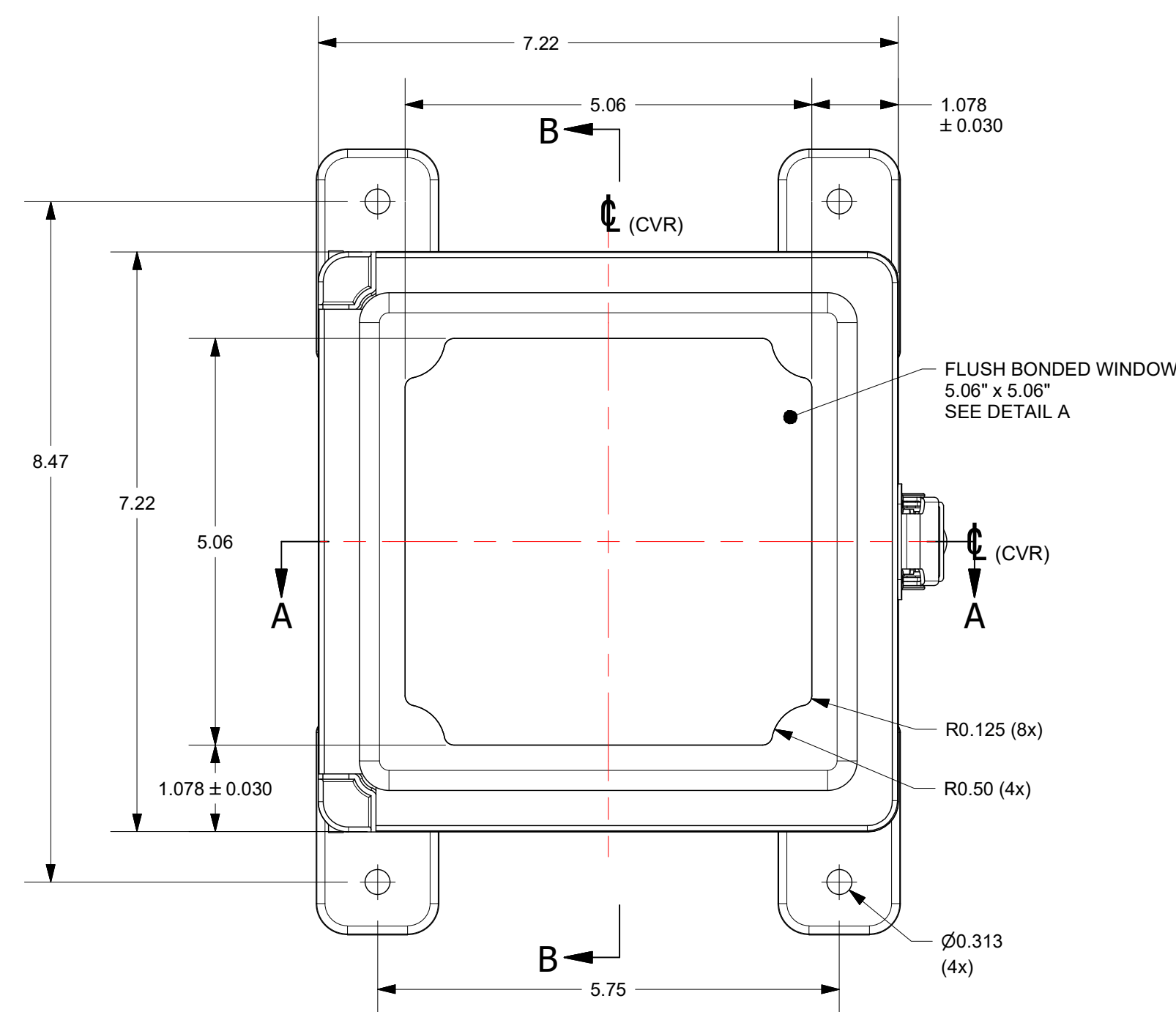


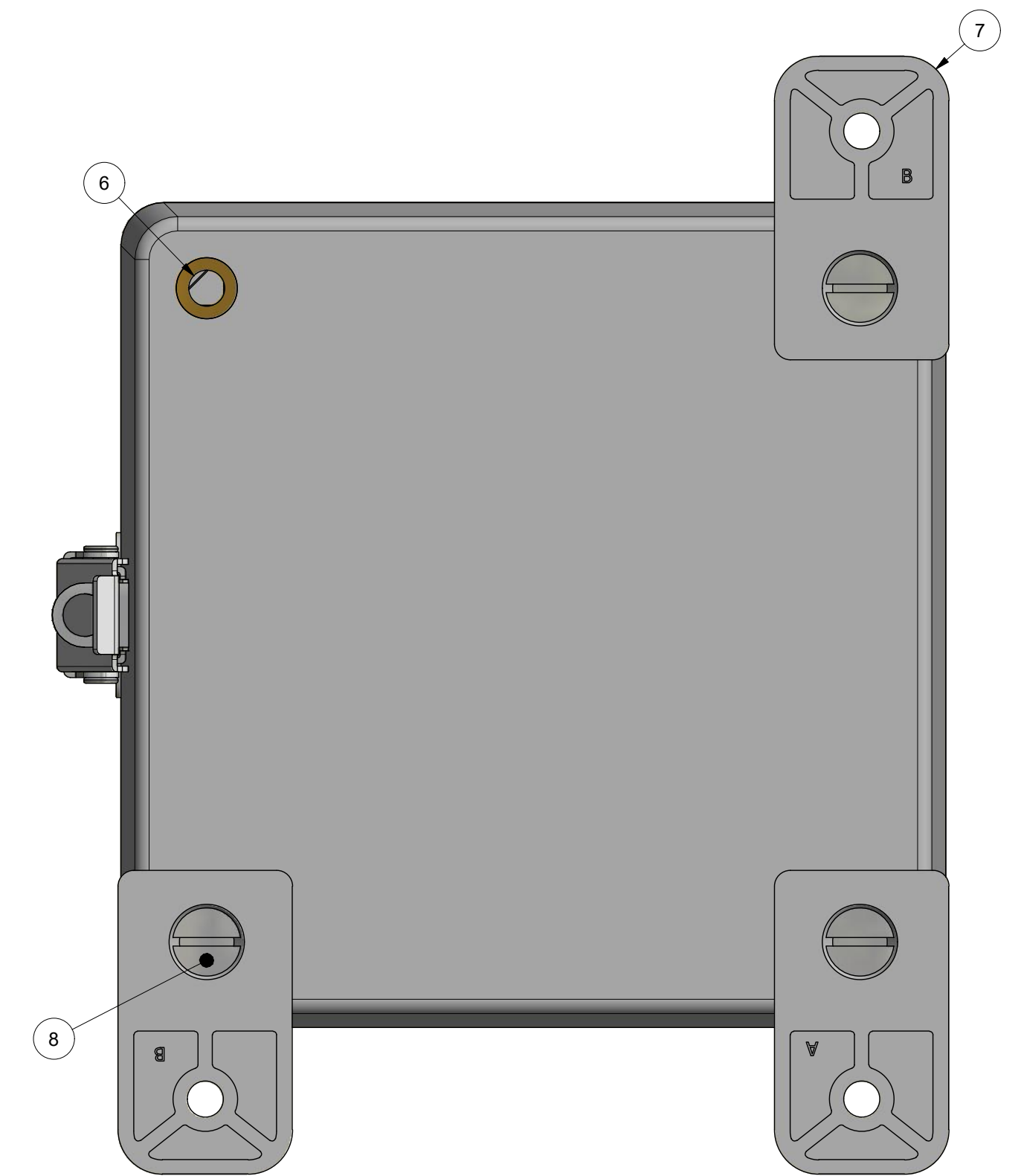
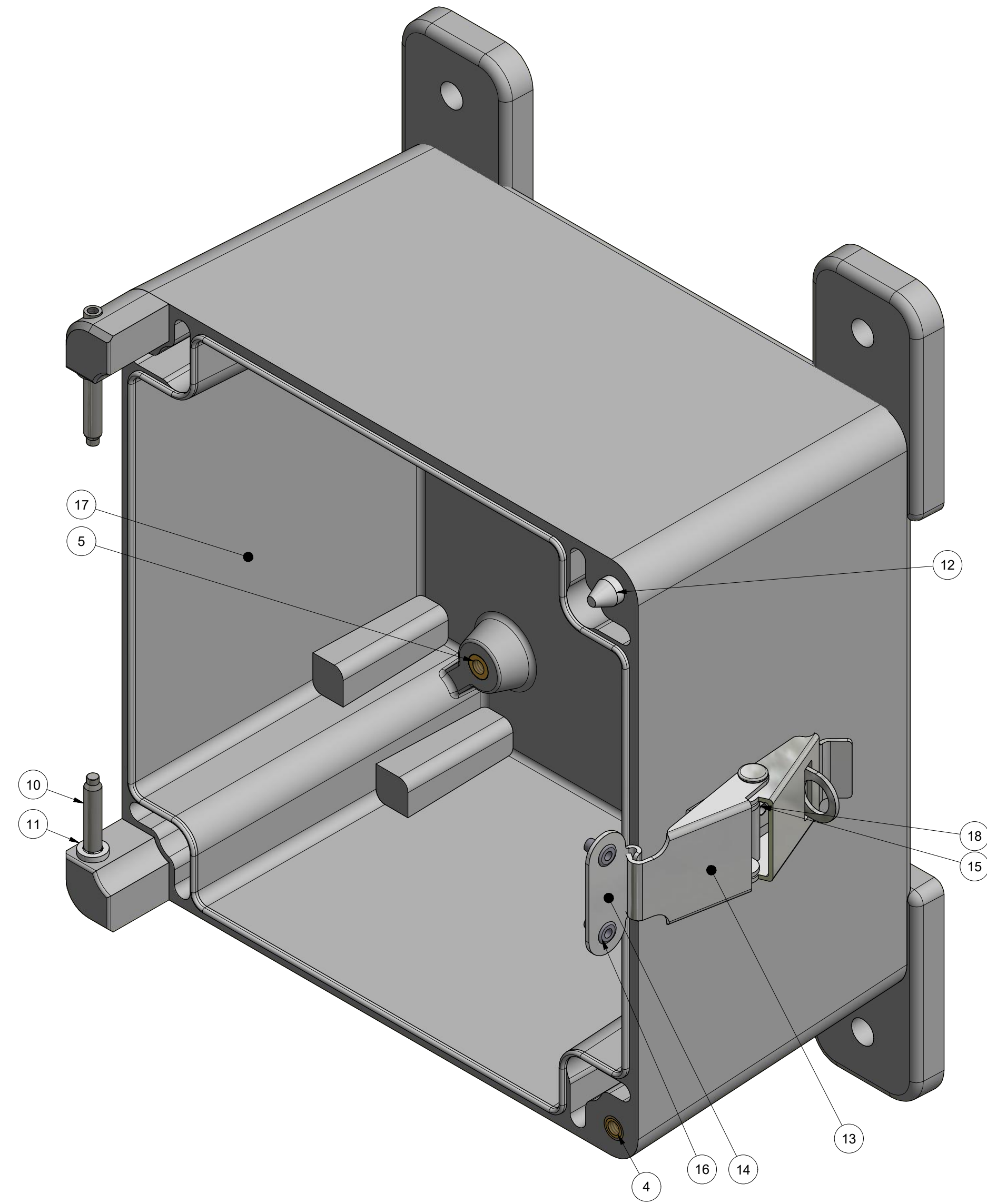
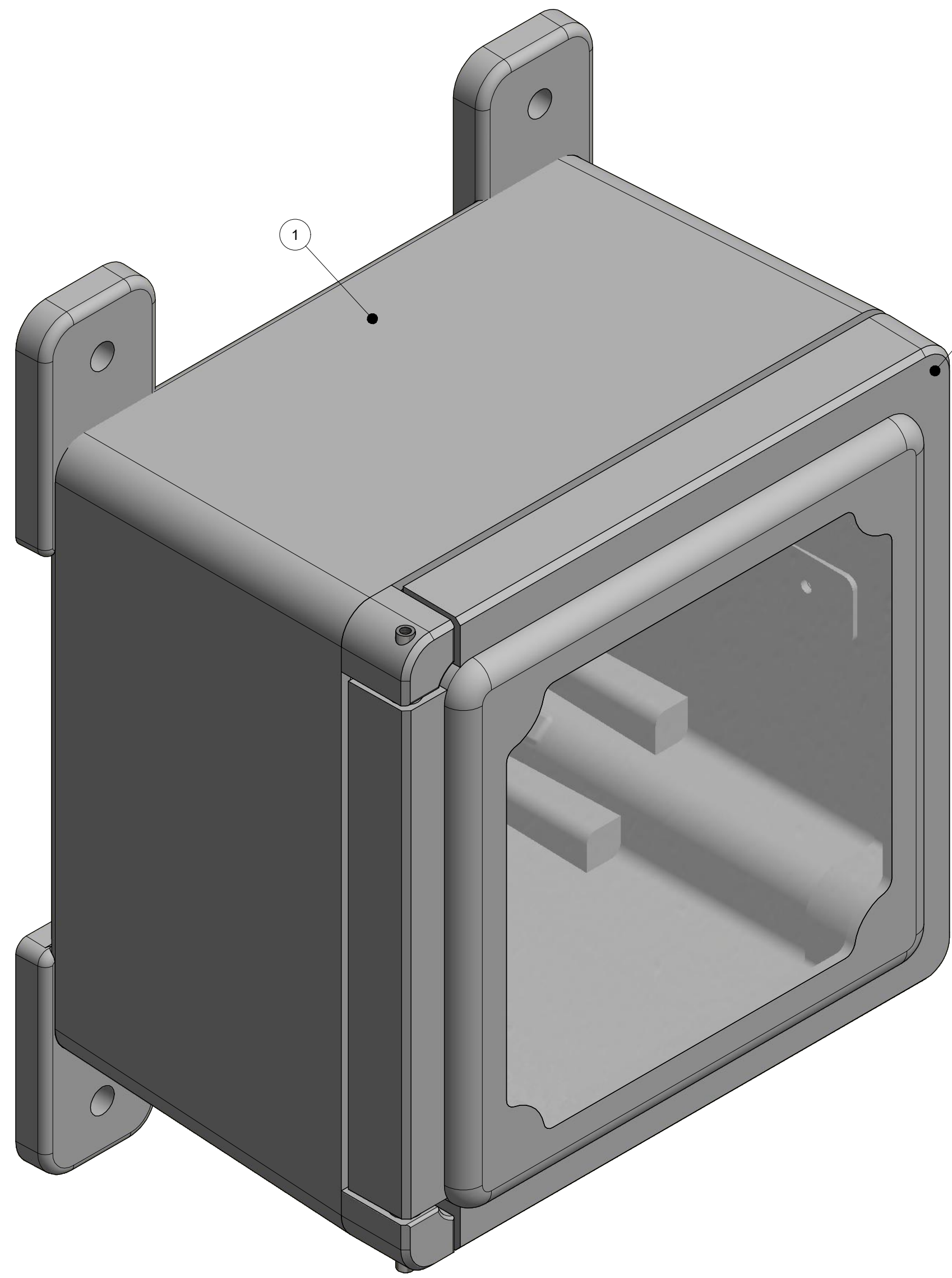
FOR REFERENCE ONLY
MOUNTING FEET SHOWN AS INSTALLED



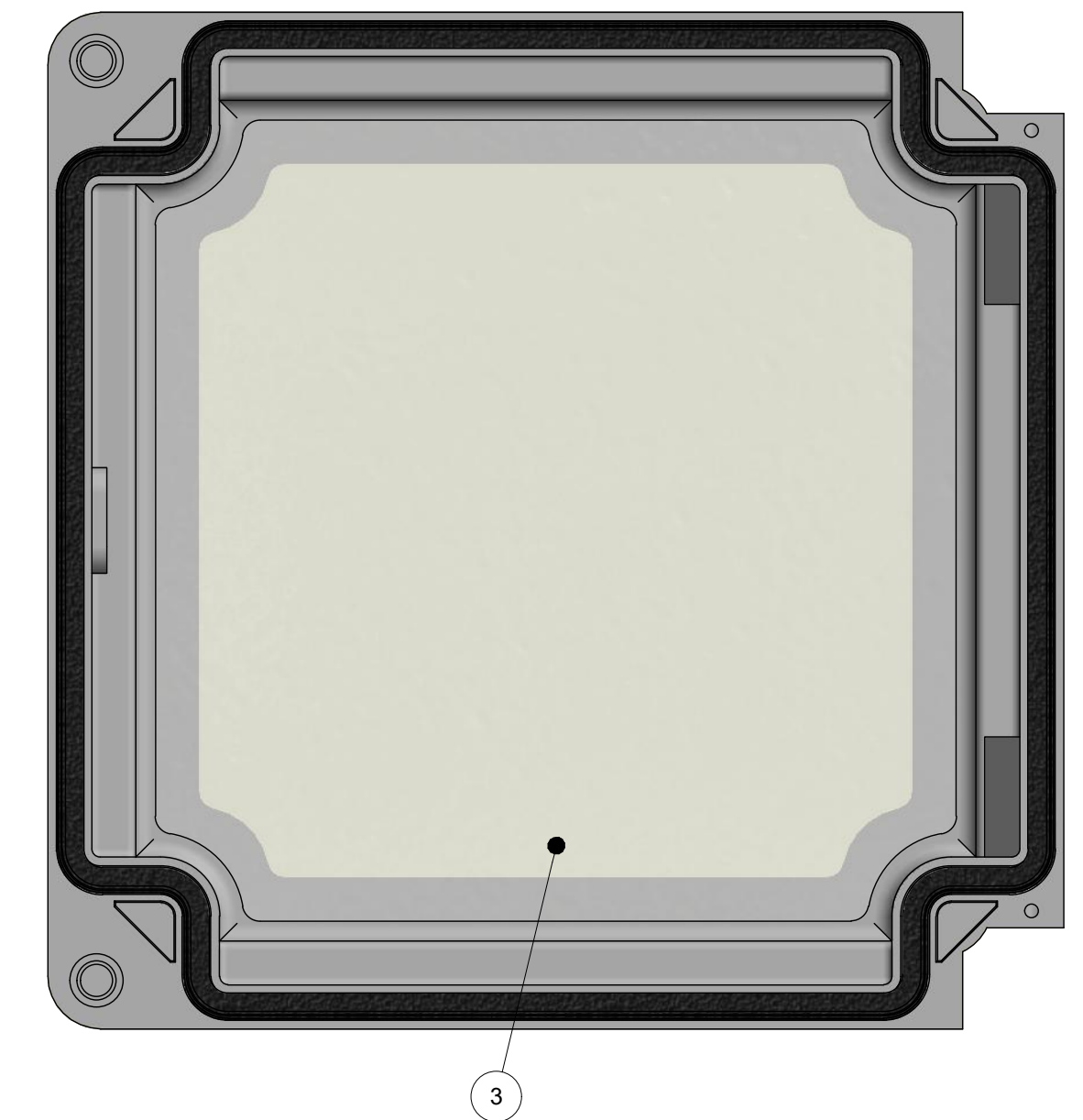
THIS DRAWING IS THE SOLE AND EXCLUSIVE PROPERTY OF ROBROY ENCLOSURES. NO PART OF THIS DRAWING MAY BE REPRODUCED, DISTRIBUTED, OR PUBLICALLY DISPLAYED IN ANY FORM OR BY ANY MEANS WITHOUT THE EXPRESS WRITTEN PERMISSION OF ROBROY ENCLOSURES. ALL RIGHTS RESERVED. UNDER THE COPYRIGHT LAWS. COPYRIGHT © 2017 ROBROY ENCLOSURES

- SPECIAL REQUIREMENTS**
1. MOUNTING FEET SHOWN AS INSTALLED - FOR REFERENCE ONLY
- SOLD SEPARATELY
- CENTURION SERIES MOUNTING FOOT KIT (ATCEMTGFTKIT)
- INCLUDES (4) 5/16-18 x 1/2 FLAT HEAD SLOTTED SCREWS (RMSCS1/16-18X1/2FL)
 2. (1) CENTURION SERIES SCREW PACK (WP4PKBP) SHALL BE PACKAGED LOOSELY INSIDE ENCLOSURE
- HARDWARE INCLUDED:
- (4) #10-32 x 3/8 PAN HEAD SCREW (RMSC10/32X3/8ZN)
- (4) #10 WASHER (RMWAS10ZN)

NEMA 250: TYPE 1, 3, 3S, 3R, 4X, 12 IEC 60529: N/A		STANDARD P/N: CEW707HPL	ALL DIMENSIONS ARE IN INCHES UNLESS OTHERWISE SPECIFIED	TOLERANCES UNLESS SPECIFIED	.XX ± 0.03	.XXX ± 0.010																															
COLOR: GLACIER GRAY (WPR3013) COLOR STANDARD: PANTONE 428 C		CUSTOMER DWG:	<p>DETAIL A WINDOW MATERIAL: S.A.R. ACRYLIC, 1/4" THICK ABRADE INSIDE COVER SURFACE PRIOR TO BONDING WINDOW BONDED USING MA-320 WINDOW SURFACE FLUSH TOLERANCE: +0.020 / -0.030 0.010 MAX. EXPANSION GAP BETWEEN COVER CUTOUT & WINDOW</p>																																		
<p>MATERIAL: FIBERGLASS REINFORCED POLYESTER (FRP)</p> <table border="1"> <thead> <tr> <th>REV</th> <th>DESCRIPTION</th> <th>DATE</th> <th>ENG</th> </tr> </thead> <tbody> <tr><td>-</td><td>-</td><td>-</td><td>-</td></tr> <tr><td>-</td><td>-</td><td>-</td><td>-</td></tr> <tr><td>-</td><td>-</td><td>-</td><td>-</td></tr> <tr><td>-</td><td>-</td><td>-</td><td>-</td></tr> <tr><td>-</td><td>-</td><td>-</td><td>-</td></tr> <tr><td>-</td><td>-</td><td>-</td><td>-</td></tr> </tbody> </table>							REV	DESCRIPTION	DATE	ENG	-	-	-	-	-	-	-	-	-	-	-	-	-	-	-	-	-	-	-	-	-	-	-	-			
REV	DESCRIPTION	DATE	ENG																																		
-	-	-	-																																		
-	-	-	-																																		
-	-	-	-																																		
-	-	-	-																																		
-	-	-	-																																		
-	-	-	-																																		
<p>REVISION HISTORY</p> <table border="1"> <thead> <tr> <th>REV</th> <th>DESCRIPTION</th> <th>DATE</th> <th>ENG</th> </tr> </thead> <tbody> <tr><td>-</td><td>-</td><td>-</td><td>-</td></tr> <tr><td>-</td><td>-</td><td>-</td><td>-</td></tr> <tr><td>-</td><td>-</td><td>-</td><td>-</td></tr> <tr><td>-</td><td>-</td><td>-</td><td>-</td></tr> <tr><td>-</td><td>-</td><td>-</td><td>-</td></tr> <tr><td>-</td><td>-</td><td>-</td><td>-</td></tr> <tr><td>-</td><td>-</td><td>-</td><td>-</td></tr> </tbody> </table>		REV	DESCRIPTION	DATE	ENG	-	-	-	-	-	-	-	-	-	-	-	-	-	-	-	-	-	-	-	-	-	-	-	-	-	-	-	-	<p>DRAWN BY: DRH DATE: 06/09/17 CUSTOMER: STANDARD ENCLOSURE</p>	<p>DWG: CEW707HPL PART NUMBER: ATCEW707HPL</p>	<p>Robroy Enclosures 500 Maple Street Belding, Michigan 48809 Phone: 616-794-0700 Fax: 616-749-3378</p>	
REV	DESCRIPTION	DATE	ENG																																		
-	-	-	-																																		
-	-	-	-																																		
-	-	-	-																																		
-	-	-	-																																		
-	-	-	-																																		
-	-	-	-																																		
-	-	-	-																																		



BACK SIDE
 (1) MOUNTING FOOT REMOVED FOR CLARITY
 TORQUE SCREWS TO 10-14 IN.-LBS.



NOTES:
 1. RTV 732 SILICONE SEALANT SHALL BE APPLIED UNDER ALL LATCHES AROUND LATCH HOLES AND TOP OF RIVET AFTER INSTALLATION

PARTS LIST			
ITEM	QTY	PART NUMBER	DESCRIPTION
1	1	WP707HBOX	CEW707 MOLDED HINGE BOX
2	1	WPCW707H	CEW707HPL GASKETED & WINDOWED COVER
3	1	WPCW707RGLAS	ROUTED CEW707 GLASS
4	2	RMINS45821P	#10-24 THREADED BRASS INSERT
5	4	RMINS45821P	#10-32 THREADED BRASS INSERT
6	4	RMINS5/16	5/16-18 THREADED BRASS INSERT
7	1	ATCEMTGFTKIT	CENTURION SERIES MOUNTING FOOT KIT (INCLUDES (4) MOUNTING FEET WITH SCREWS)
8	4	RMSC5/16-18X1/2FL	5/16-18 x 1/2 FLAT HEAD SLOTTED SCREW (INCLUDED WITH ATCEMTGFTKIT)
9	1	WP4PKBP	CENTURION SERIES SCREW PACK
10	2	RMHINGCL2	CENTURION SERIES HINGE PIN
11	2	RMWAS16FWRT006062	CENTURION SERIES HINGE PIN WASHER
12	1	RMSCCL305375	ALIGNMENT PIN
13	1	RMLATPLSSL	BLANK HPL LATCH
14	1	RMKEEPLL150	HLL KEEPER
15	2	RMRIV44	LATCH RIVET
16	2	RMRIV46	KEEPER RIVET
17	1	RMLABBLANK3X2	CEW707HPL LABEL
18	AR	RTV-732	SILICONE SEALANT

THIS DRAWING IS THE SOLE AND EXCLUSIVE PROPERTY OF ROBROY ENCLOSURES. NO PART OF THIS DRAWING MAY BE REPRODUCED, DISTRIBUTED, OR PUBLICALLY DISPLAYED IN ANY FORM OR BY ANY MEANS WITHOUT THE EXPRESS WRITTEN PERMISSION OF ROBROY ENCLOSURES. ALL RIGHTS RESERVED. UNDER THE COPYRIGHT LAWS. COPYRIGHT © 2017 ROBROY ENCLOSURES.

SPECIAL REQUIREMENTS
 1. MOUNTING FEET SHOWN AS INSTALLED - FOR REFERENCE ONLY
 - SOLD SEPARATELY
 - CENTURION SERIES MOUNTING FOOT KIT (ATCEMTGFTKIT)
 - INCLUDES (4) 5/16-18 x 1/2 FLAT HEAD SLOTTED SCREWS (RMSC5/16-18X1/2FL)
 2. (1) CENTURION SERIES SCREW PACK (WP4PKBP) SHALL BE PACKAGED LOOSELY INSIDE ENCLOSURE
 - HARDWARE INCLUDED:
 (4) #10-32 x 3/8 PAN HEAD SCREW (RMSC10/32X3/8ZN)
 (4) #10 WASHER (RMWAS10ZN)

NEMA 250: TYPE 1, 3, 3S, 3R, 4X, 12
 IEC 60529: N/A
 COLOR: GLACIER GRAY (WPR3013)
 COLOR STANDARD: PANTONE 428 C

STANDARD P/N: CEW707HPL
 CUSTOMER DWG:

ALL DIMENSIONS ARE IN INCHES UNLESS OTHERWISE SPECIFIED
 TOLERANCES UNLESS SPECIFIED .XX ± 0.03 .XXX ± 0.010

MATERIAL: FIBERGLASS REINFORCED POLYESTER (FRP)

AttaBox
 A ROBROY ENCLOSURES™ BRAND
 Robroy Enclosures
 500 Maple Street
 Belding, Michigan 48809
 Phone: 616-794-0700
 Fax: 616-749-3378

DRAWN BY	DRH	DATE	06/09/17	CUSTOMER		DWG	CEW707HPL
SCALE	DO NOT SCALE	DESCRIPTION	STANDARD ENCLOSURE	PART NUMBER	ATCEW707HPL		