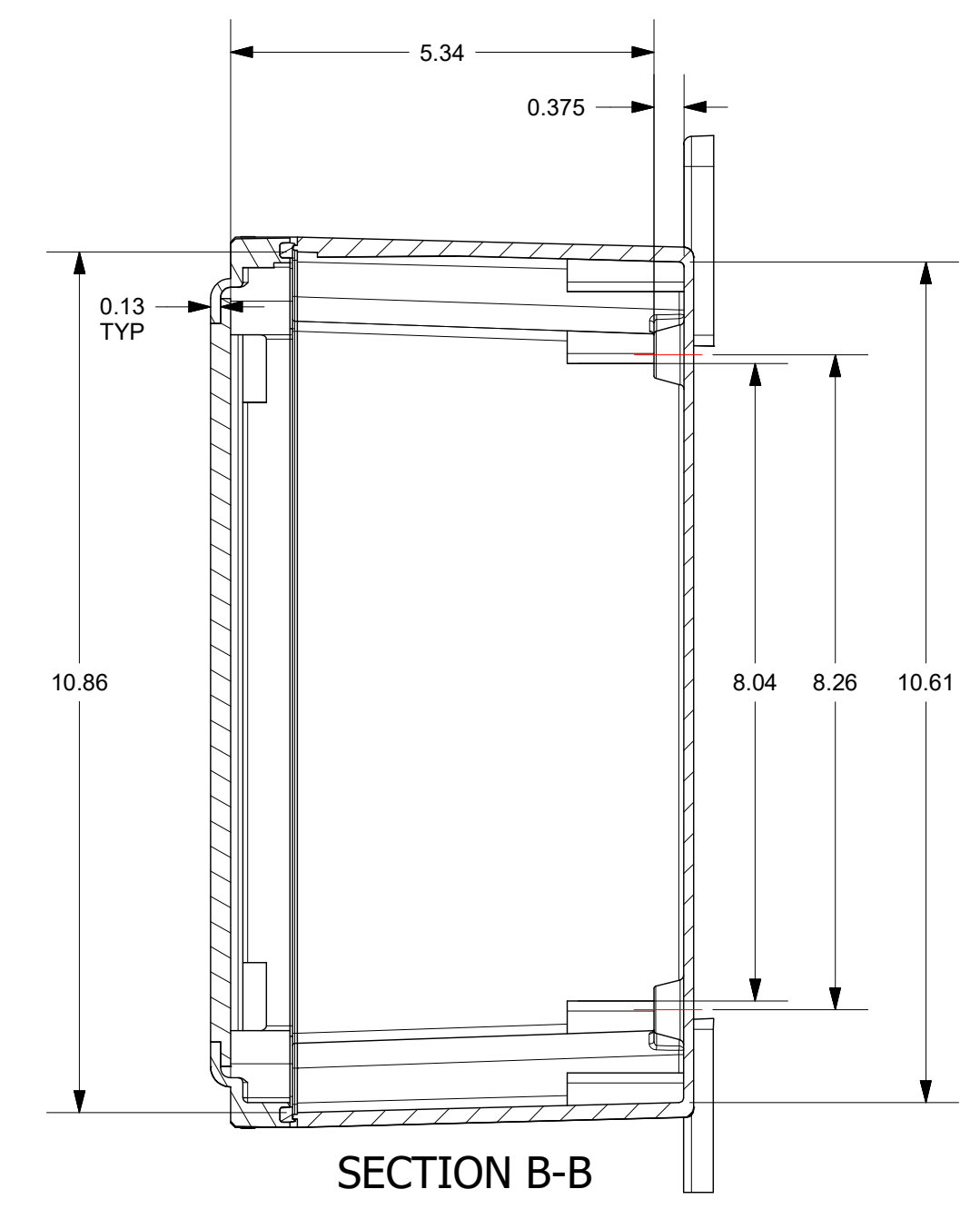
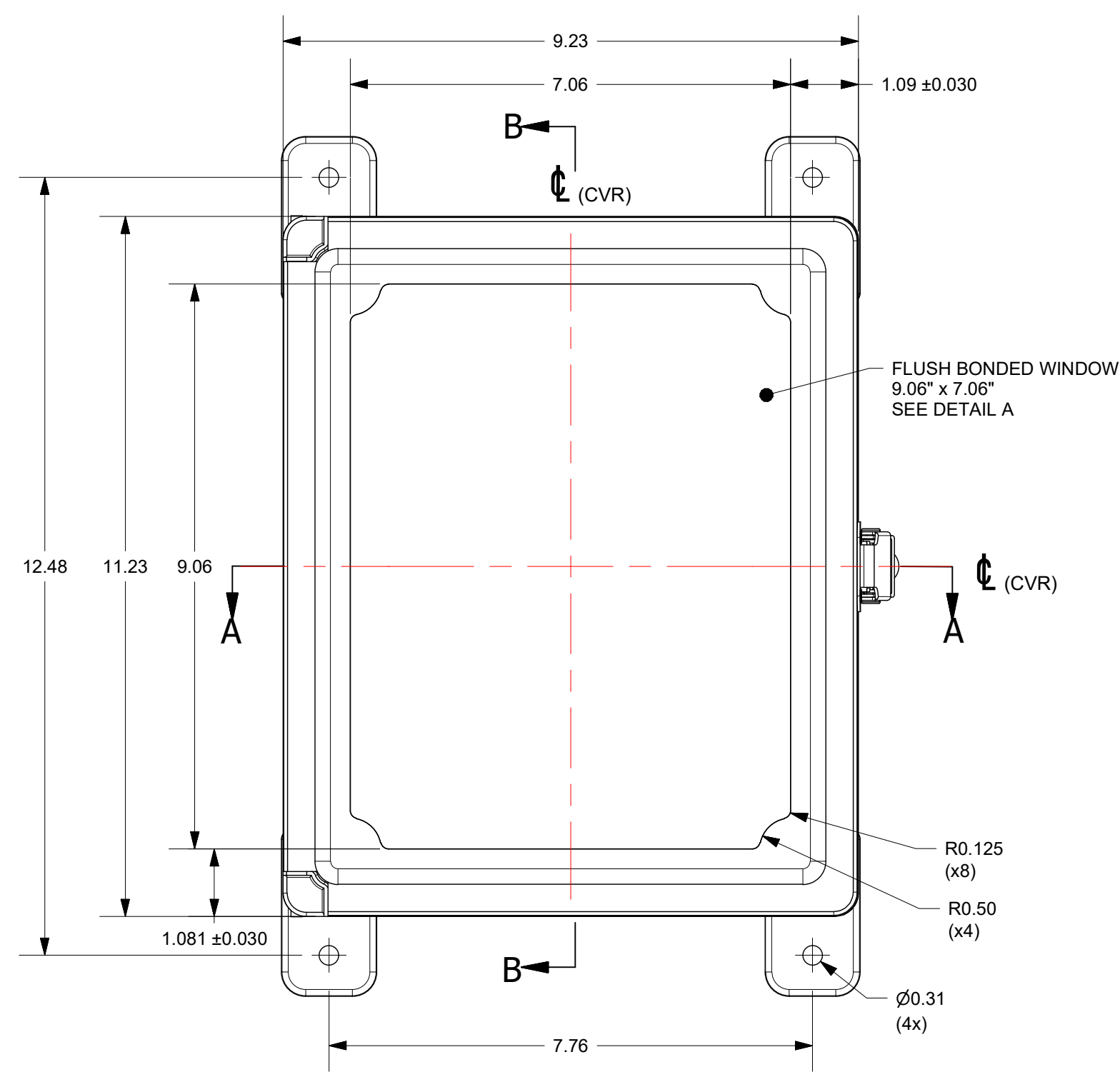
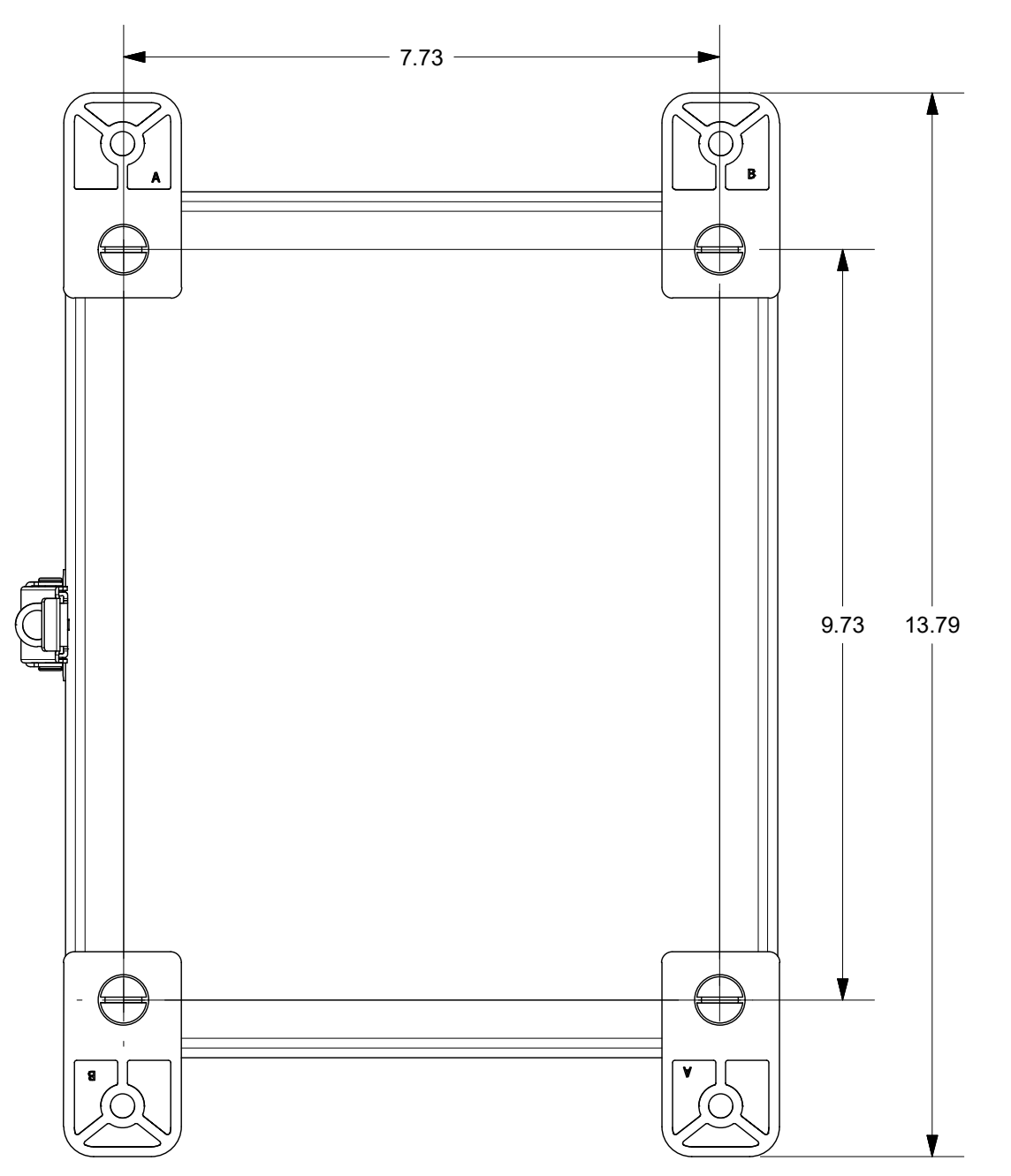


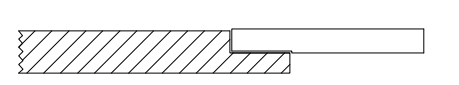
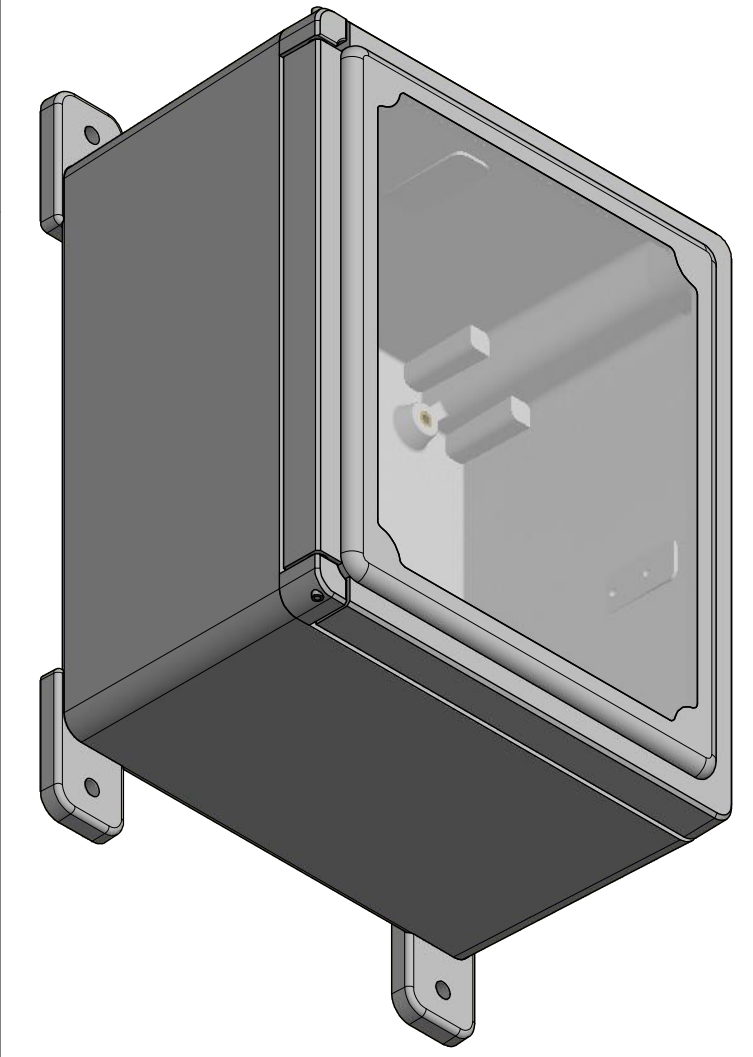
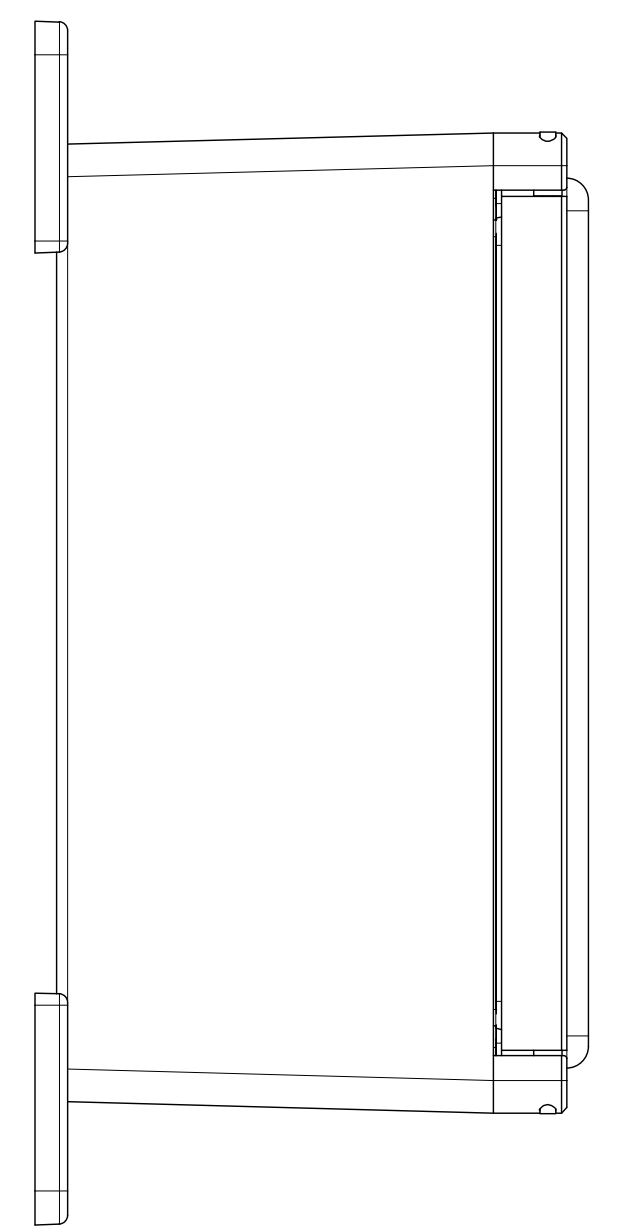
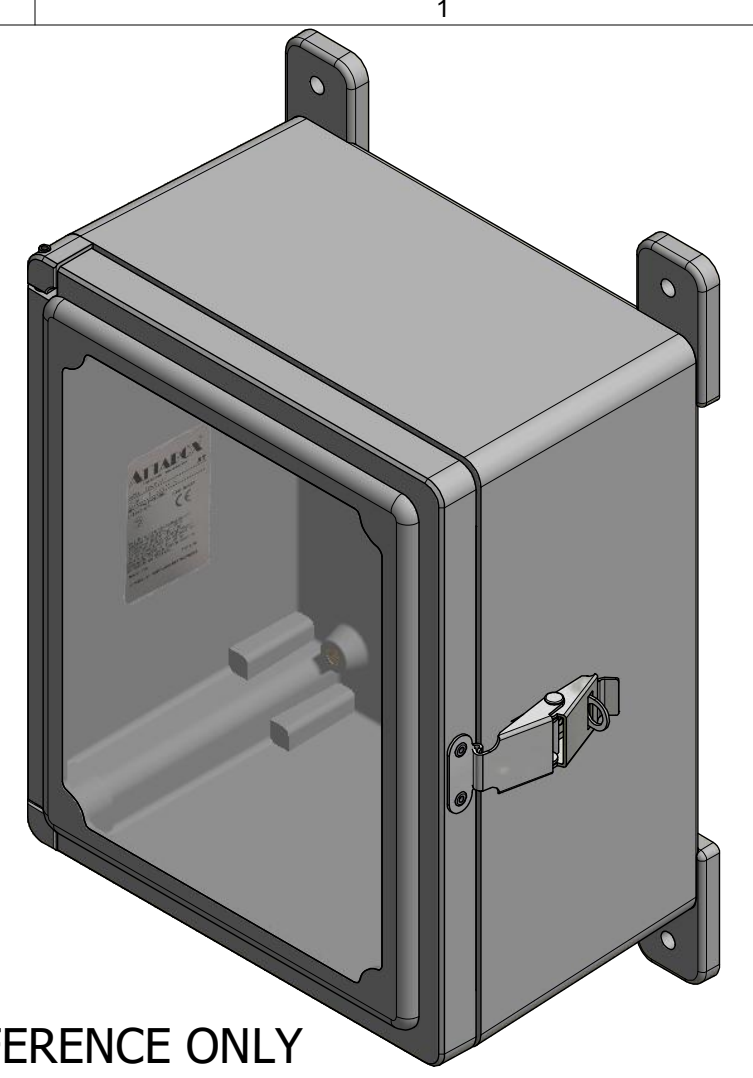
SECTION A-A



SECTION B-B



FOR REFERENCE ONLY  
MOUNTING FEET SHOWN AS INSTALLED



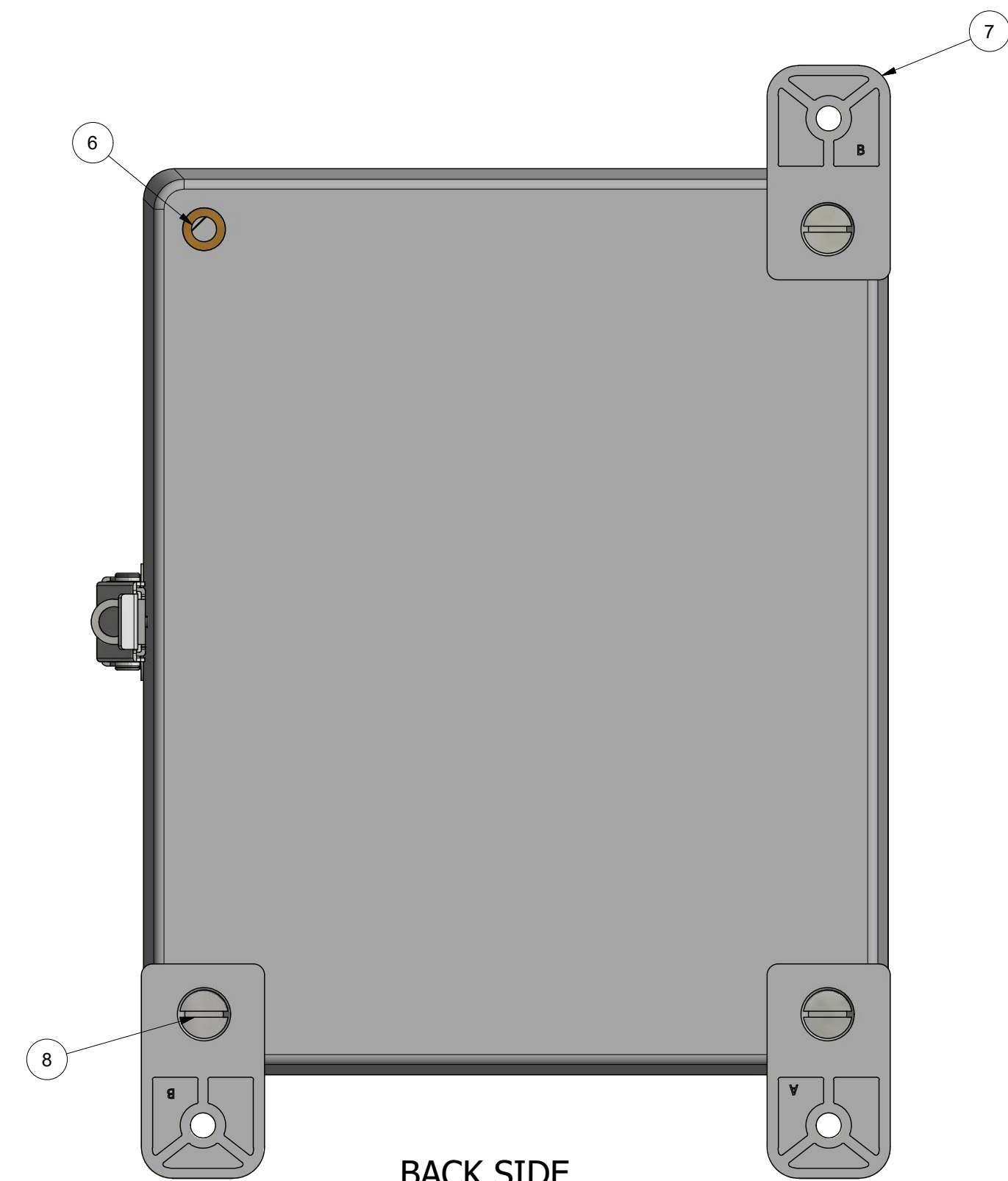
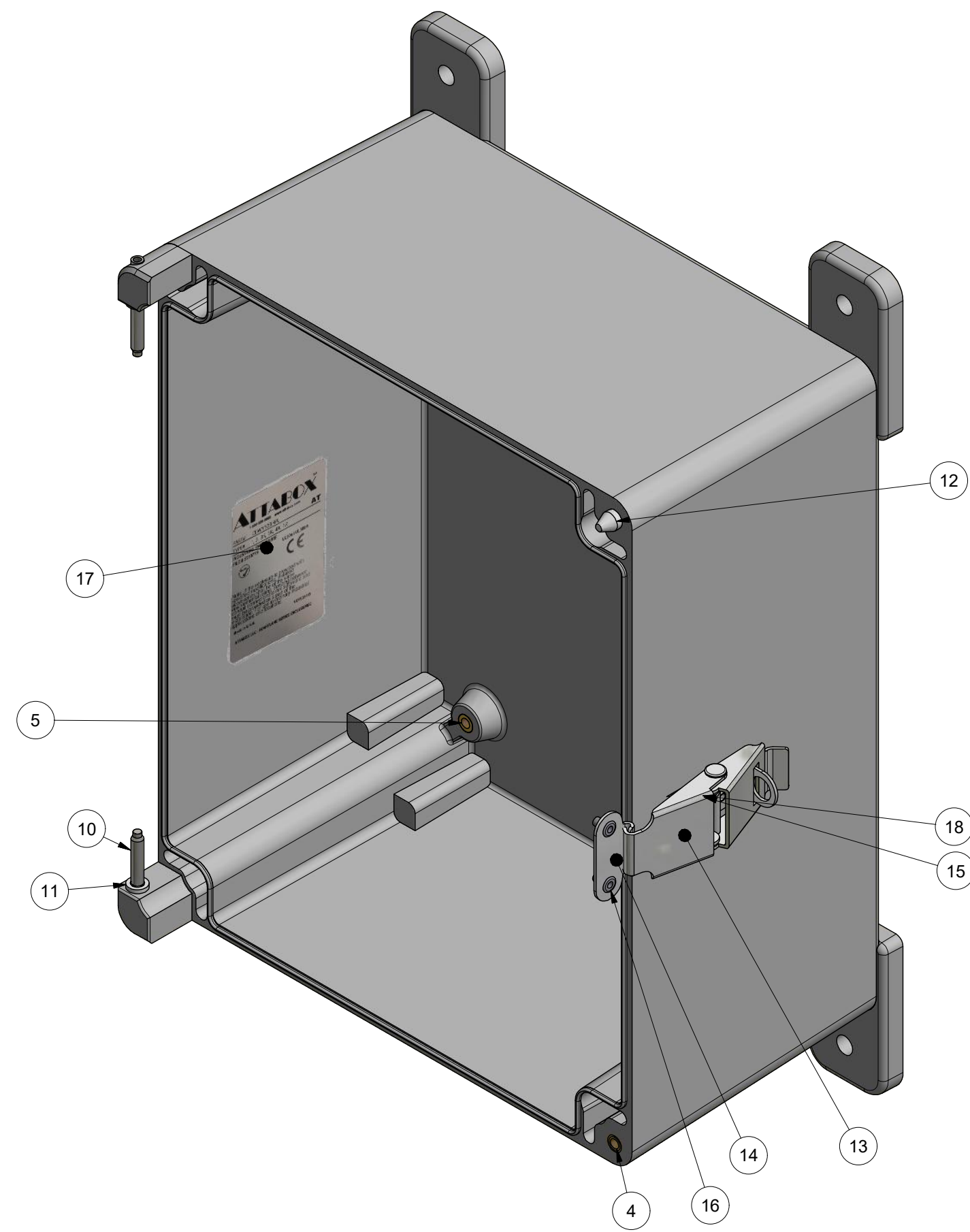
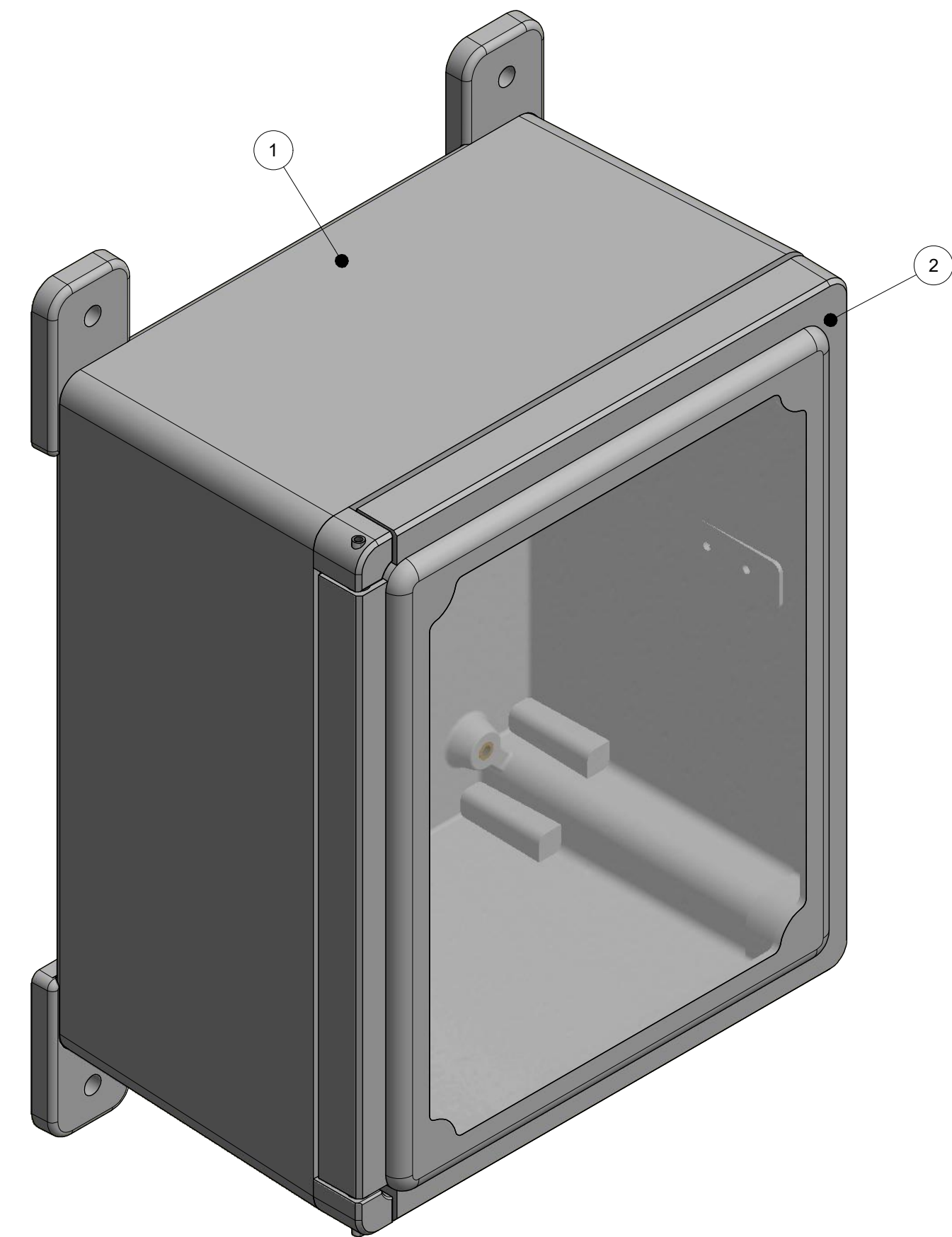
**DETAIL A**  
 WINDOW MATERIAL: S.A.R. ACRYLIC, 1/4" THICK  
 ABRABE INSIDE COVER SURFACE PRIOR TO BONDING  
 WINDOW BONDED USING MA-320  
 WINDOW SURFACE FLUSH TOLERANCE: +0.020 / -0.030  
 0.010 MAX. EXPANSION GAP BETWEEN COVER CUTOUT & WINDOW

THIS DRAWING IS THE SOLE AND EXCLUSIVE PROPERTY OF ROBROY ENCLOSURES. NO PART OF THIS DRAWING MAY BE REPRODUCED, DISTRIBUTED, OR PUBLICALLY DISPLAYED IN ANY FORM OR BY ANY MEANS WITHOUT THE EXPRESS WRITTEN PERMISSION OF ROBROY ENCLOSURES. ALL RIGHTS RESERVED. UNDER THE COPYRIGHT LAWS. COPYRIGHT © 2018 ROBROY ENCLOSURES

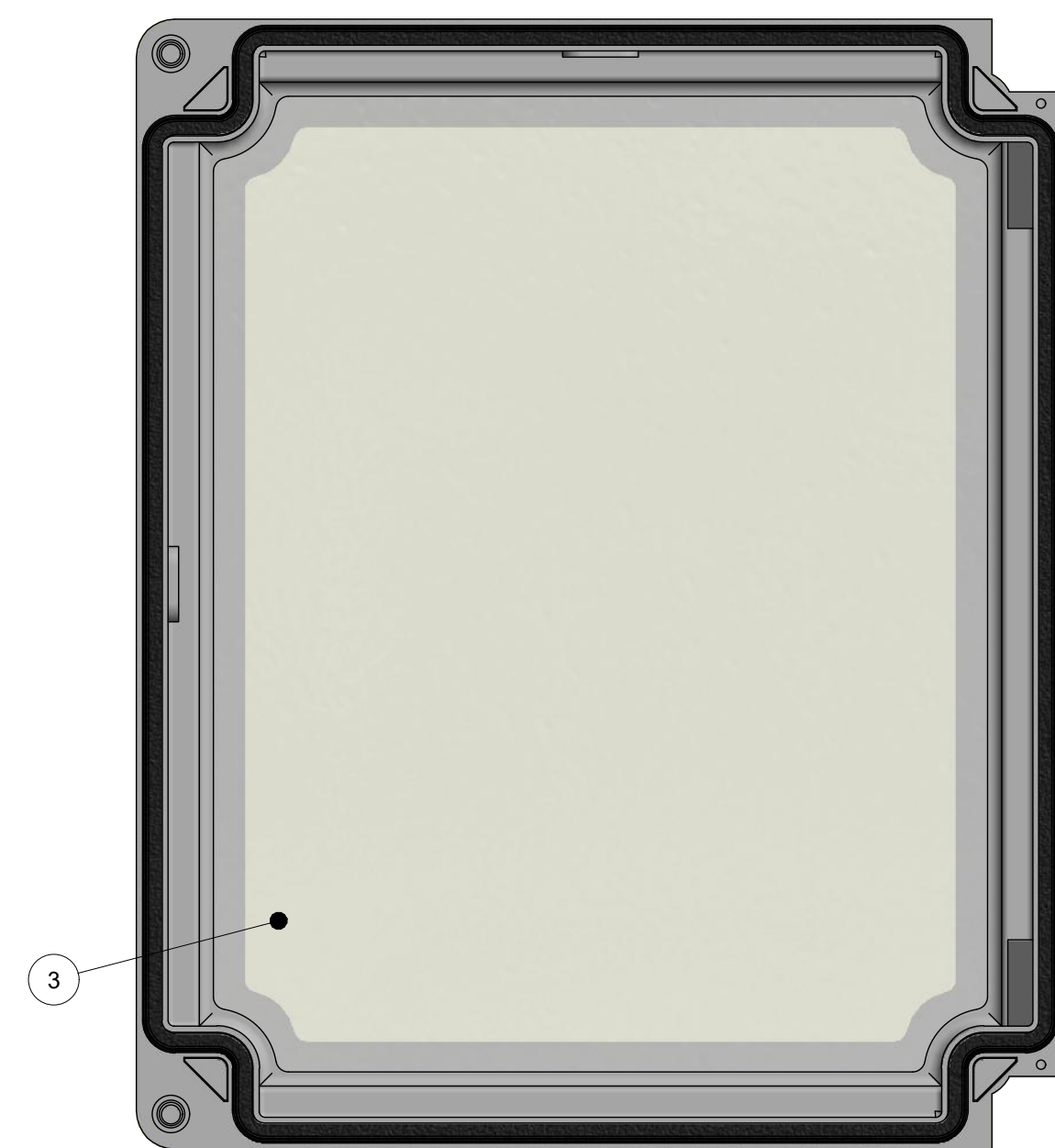
- SPECIAL REQUIREMENTS**
- ASSEMBLY:**  
 1. MOUNTING FEET SHOWN AS INSTALLED - FOR REFERENCE ONLY  
 - SOLD SEPARATELY  
 - CENTURION SERIES MOUNTING FOOT KIT (ATCEMTGFTKIT)  
 - INCLUDES (4) 5/16-18 x 1/2 FLAT HEAD SLOTTED SCREWS (RMSCS2/16-18X1/2FL)  
 2. (1) CENTURION SERIES SCREW PACK (WP4PKBP) SHALL BE PACKAGED LOOSELY INSIDE ENCLOSURE  
 HARDWARE INCLUDED:  
 - (4) #10-32 x 3/8 PAN HEAD SCREW (RMSC10/32X3/8ZN)  
 - (4) #10 WASHER (RMWAS10ZN)  
 3. (1) STYROFOAM SHEET SHALL BE PLACED ON TOP OF WINDOW INSIDE CARTON

NEMA 250: TYPE 1, 3, 3S, 3R, 4X, 12		STANDARD P/N:	CEW1109HPL	ALL DIMENSIONS ARE IN INCHES UNLESS OTHERWISE SPECIFIED		TOLERANCES UNLESS SPECIFIED		.XX ± 0.03	.XXX ± 0.010
IEC 60529: N/A		CUSTOMER DWG:							
COLOR: GLACIER GRAY (WPR3013)									
COLOR STANDARD: PANTONE 428 C									
<b>MATERIAL: FIBERGLASS REINFORCED POLYESTER (FRP)</b>									
<b>REVISION HISTORY</b>									
REV	DESCRIPTION	DATE	ENG						
-	-	-	-						
-	-	-	-						
-	-	-	-						
-	-	-	-						
-	-	-	-						
-	-	-	-						
DRAWN BY		DATE	CUSTOMER		DWG				
ARB		12/7/18			CEW1109HPL				
SCALE		DESCRIPTION	PART NUMBER		DWG				
DO NOT SCALE		STANDARD ENCLOSURE	ATCEW1109HPL						





BACK SIDE  
 (1) MOUNTING FOOT REMOVED FOR CLARITY  
 TORQUE SCREWS TO 10-14 IN.-LBS.



**NOTES:**  
 1. RTV 732 SILICONE SEALANT SHALL BE APPLIED UNDER ALL LATCHES AROUND LATCH HOLES AND TOP OF RIVET AFTER INSTALLATION

PARTS LIST			
ITEM	QTY	PART NUMBER	DESCRIPTION
1	1	WP1109HBOX	CEW1109 MOLDED HINGE BOX
2	1	WPCW1109H	CEW1109HPL GASKETED & WINDOWED COVER
3	1	WPCW1109RGLAS	ROUTED CEW1109 GLASS
4	2	RMINS45821P	#10-24 THREADED BRASS INSERT
5	4	RMINS45821P	#10-32 THREADED BRASS INSERT
6	4	RMINS5/16	5/16-18 THREADED BRASS INSERT
7	1	ATCEMTGFTKIT	CENTURION SERIES MOUNTING FOOT KIT (INCLUDES (4) MOUNTING FEET WITH SCREWS)
8	4	RMSC5/16-18X1/2FL	5/16-18 x 1/2 FLAT HEAD SLOTTED SCREW (INCLUDED WITH ATCEMTGFTKIT)
9	1	WP4PKBP	CENTURION SERIES SCREW PACK
10	2	RMHINGCL2	CENTURION SERIES HINGE PIN
11	2	RMWAS16FWRT006062	CENTURION SERIES HINGE PIN WASHER
12	1	RMSCCL305375	ALIGNMENT PIN
13	1	RMLATPLSSL	BLANK HPL LATCH
14	1	RMKEEPLL150	HLL KEEPER
15	2	RMRIV44	LATCH RIVET
16	2	RMRIV46	KEEPER RIVET
17	1	RMLABBLANK3X2	CEW1109HPL LABEL
18	AR	RTV-732	SILICONE SEALANT

THIS DRAWING IS THE SOLE AND EXCLUSIVE PROPERTY OF ROBROY ENCLOSURES. NO PART OF THIS DRAWING MAY BE REPRODUCED, DISTRIBUTED, OR PUBLICALLY DISPLAYED IN ANY FORM OR BY ANY MEANS WITHOUT THE EXPRESS WRITTEN PERMISSION OF ROBROY ENCLOSURES. ALL RIGHTS RESERVED. UNDER THE COPYRIGHT LAWS. COPYRIGHT © 2018 ROBROY ENCLOSURES

**SPECIAL REQUIREMENTS**  
 ASSEMBLY:  
 1. MOUNTING FEET SHOWN AS INSTALLED - FOR REFERENCE ONLY  
 -SOLD SEPARATELY  
 -CENTURION SERIES MOUNTING FOOT KIT (ATCEMTGFTKIT)  
 -INCLUDES (4) 5/16-18 x 1/2 FLAT HEAD SLOTTED SCREWS (RMSC5/16-18X1/2FL)  
 2. (1) CENTURION SERIES SCREW PACK (WP4PKBP) SHALL BE PACKAGED LOOSELY INSIDE ENCLOSURE  
 -HARDWARE INCLUDED.  
 (9) (4) #10-32 x 3/8 PAN HEAD SCREW (RMSC10/32X3/8ZN)  
 (4) #10 WASHER (RMWAS10ZN)  
 3. (1) STYROFOAM SHEET SHALL BE PLACED ON TOP OF WINDOW INSIDE CARTON

NEMA 250: TYPE 1, 3, 3S, 3R, 4X, 12  
 IEC 60529: N/A  
 COLOR: GLACIER GRAY (WPR3013)  
 COLOR STANDARD: PANTONE 428 C

STANDARD P/N:	CEW1109HPL	ALL DIMENSIONS ARE IN INCHES UNLESS OTHERWISE SPECIFIED	TOLERANCES UNLESS SPECIFIED	.XX ± 0.03	.XXX ± 0.010
CUSTOMER DWG:		<b>AttaBox</b> A ROBROY ENCLOSURES™ BRAND Robroy Enclosures 500 Maple Street Belding, Michigan 48809 Phone: 616-794-0700 Fax: 616-749-3378			
MATERIAL:	FIBERGLASS REINFORCED POLYESTER (FRP)				
DRAWN BY:	ARB	DATE:	12/7/18	CUSTOMER:	
SCALE:	DO NOT SCALE	DESCRIPTION:	STANDARD ENCLOSURE	PART NUMBER:	ATCEW11090HPL