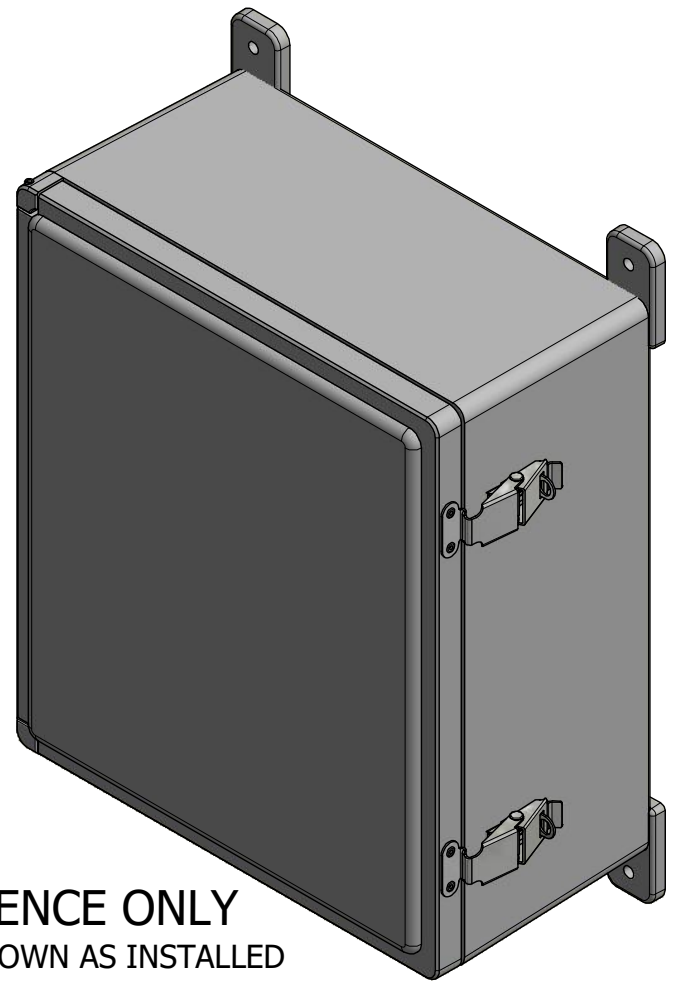
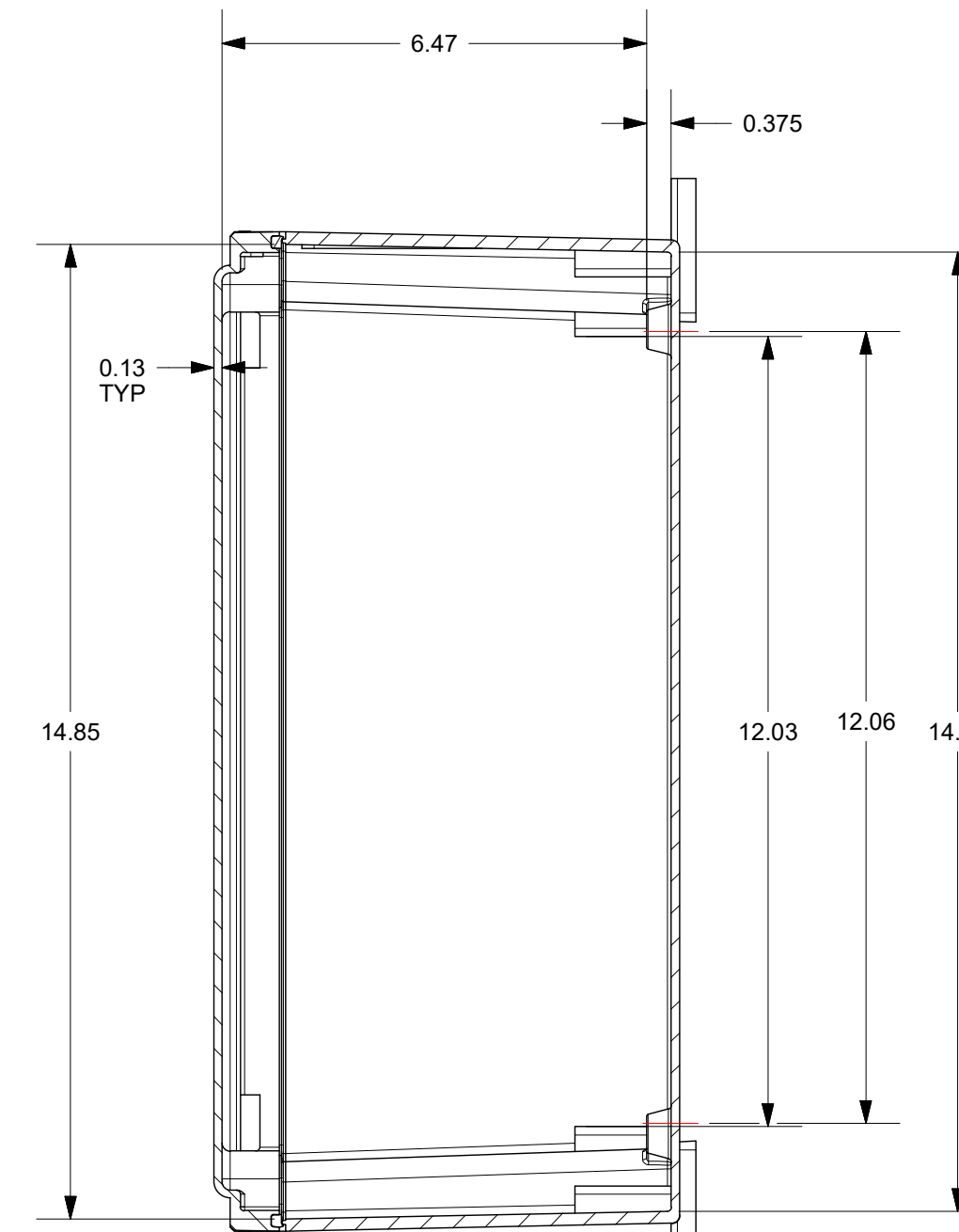
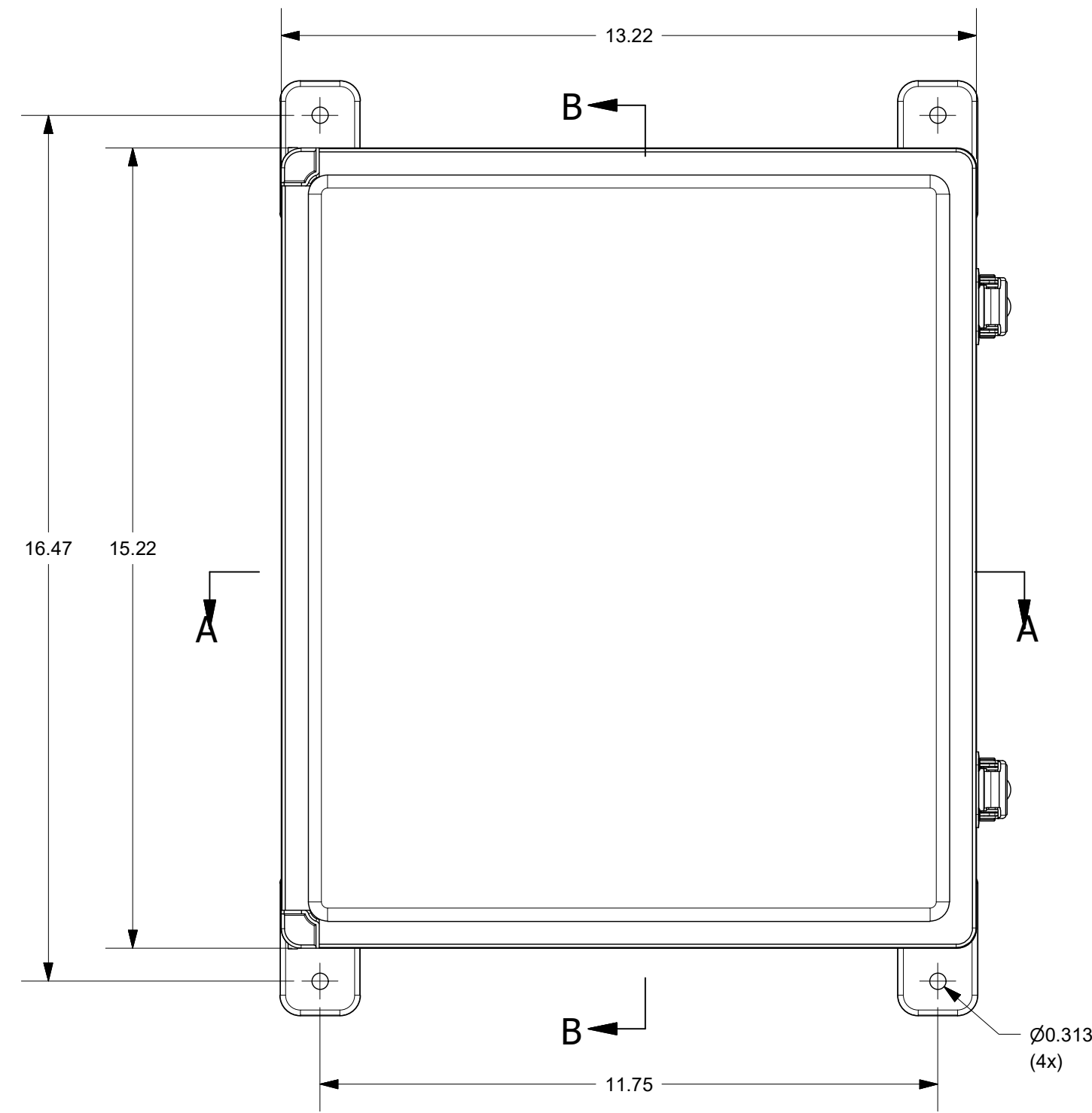


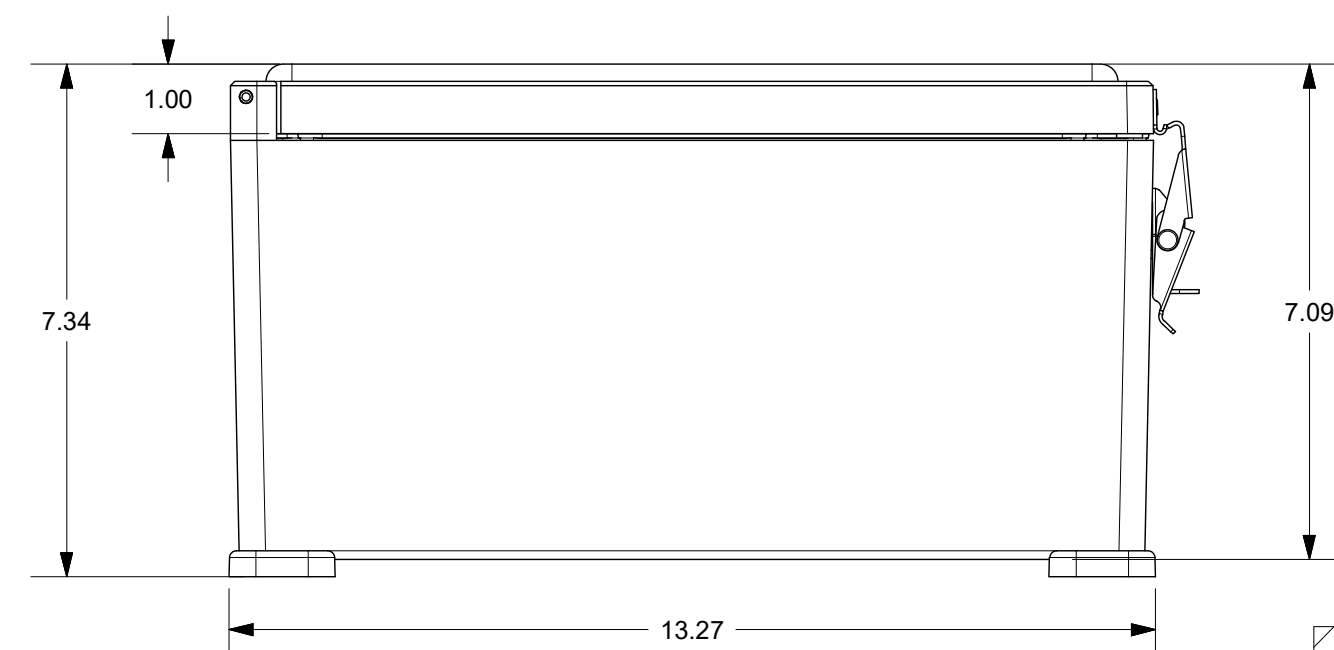
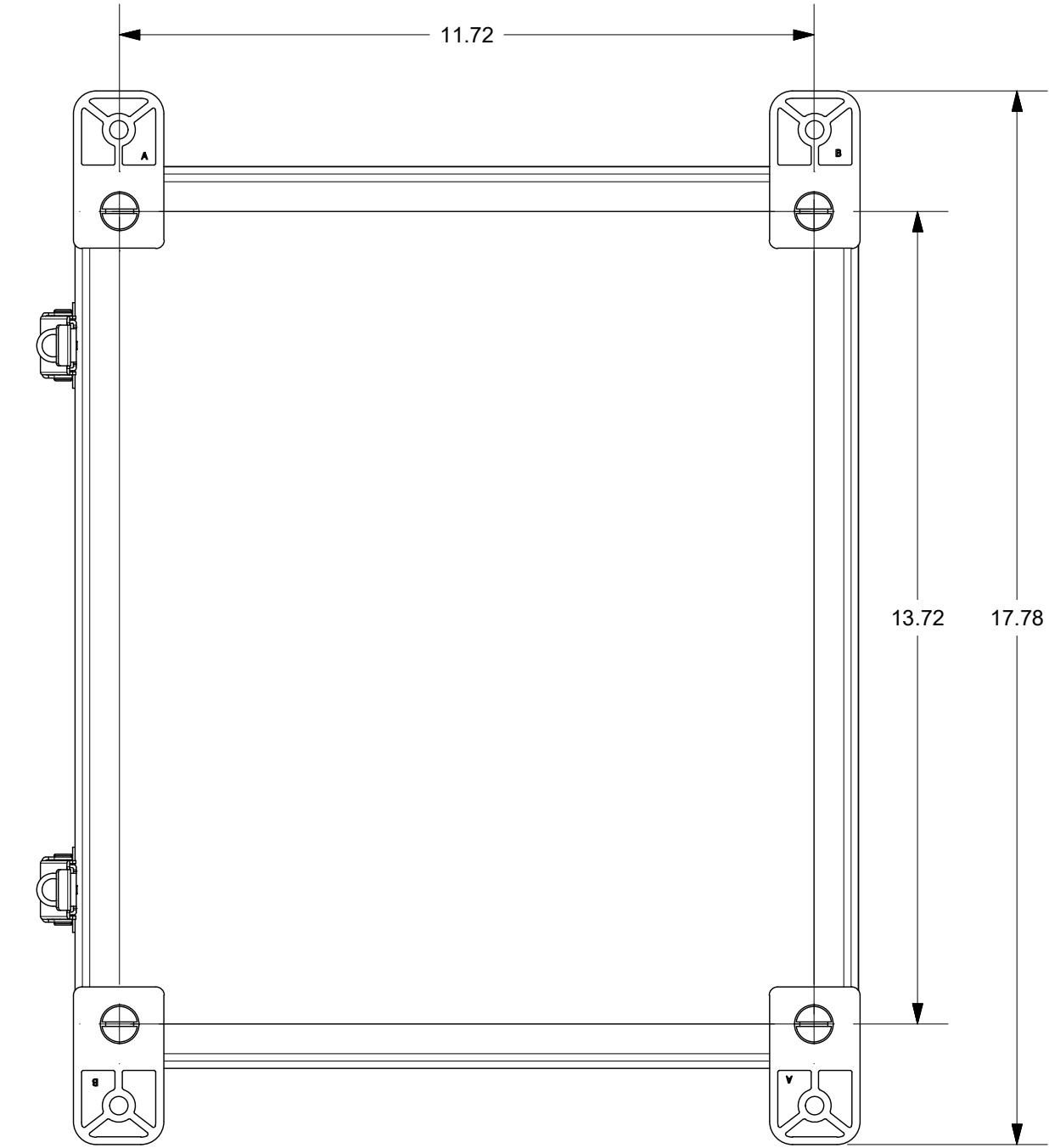
SECTION A-A



FOR REFERENCE ONLY
MOUNTING FEET SHOWN AS INSTALLED



SECTION B-B



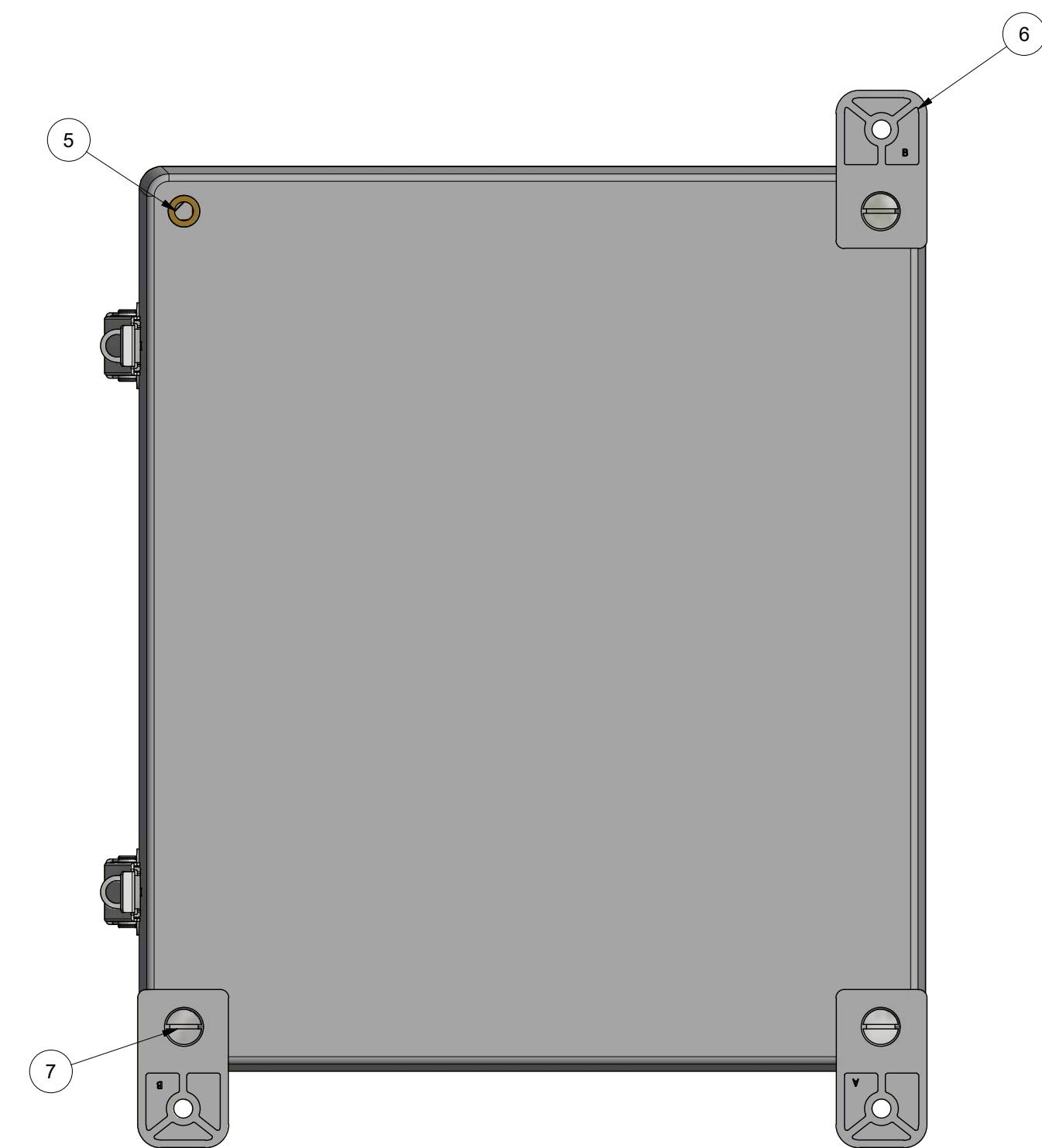
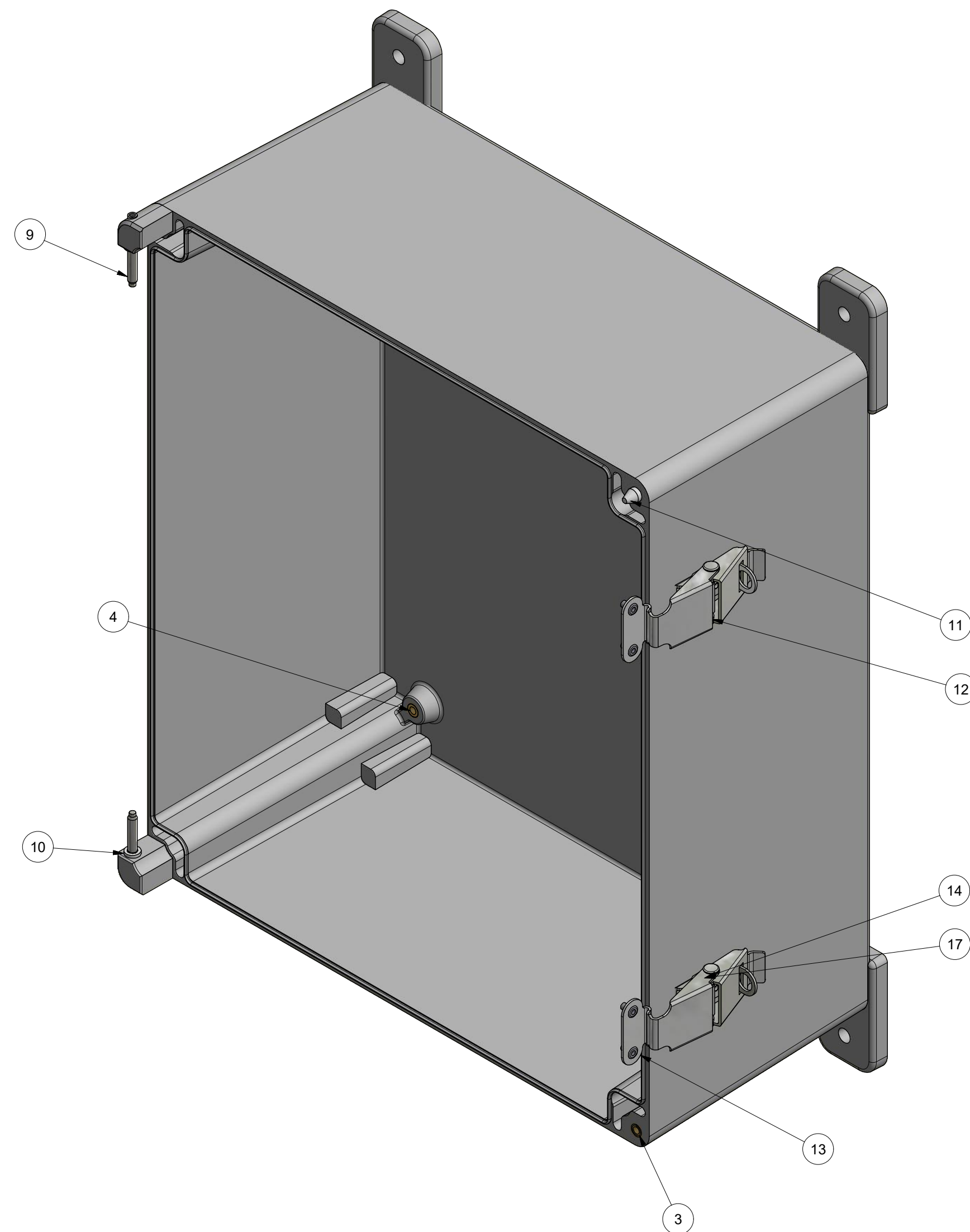
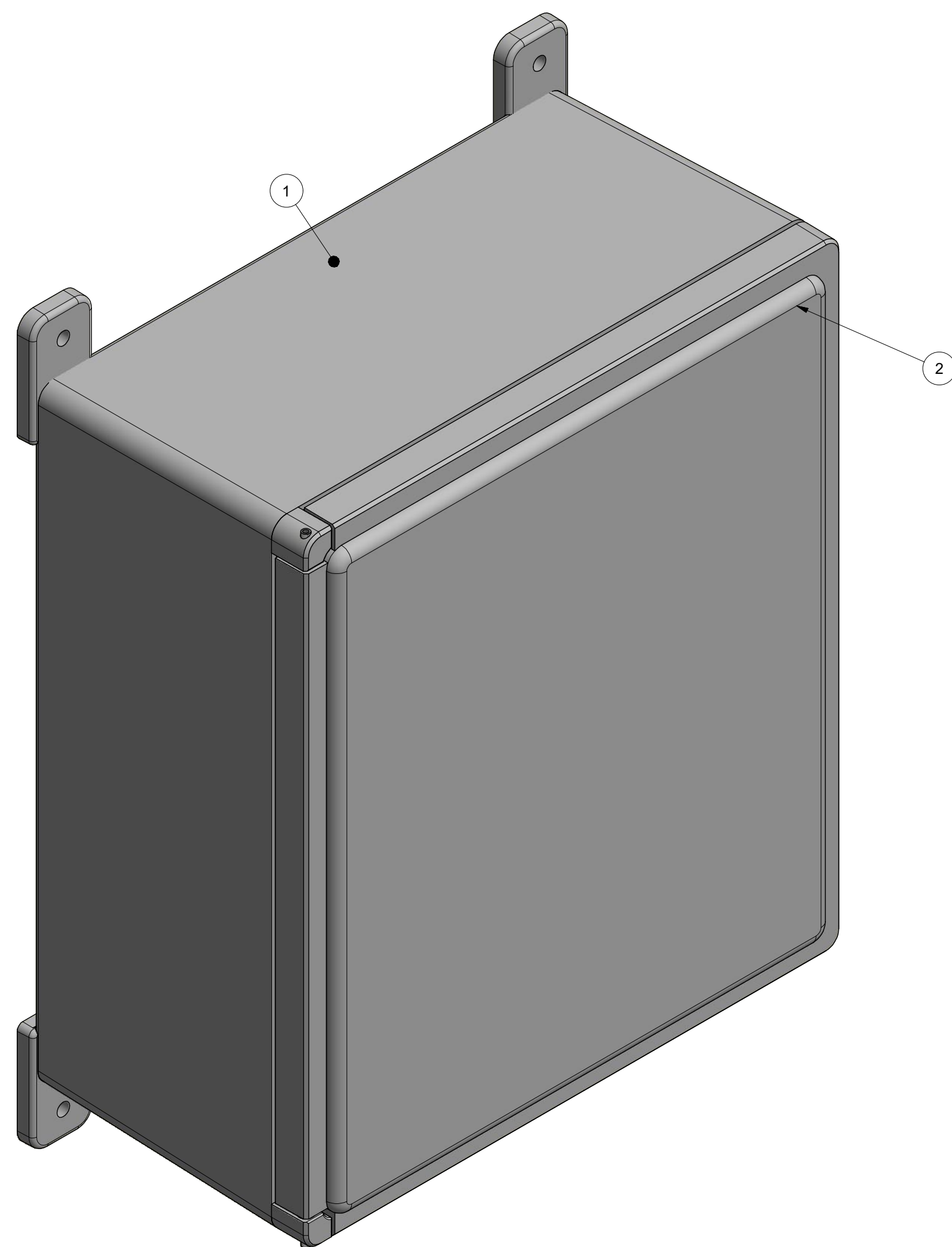
THIS DRAWING IS THE SOLE AND EXCLUSIVE PROPERTY OF ROBROY ENCLOSURES. NO PART OF THIS DRAWING MAY BE REPRODUCED, DISTRIBUTED, OR PUBLICALLY DISPLAYED IN ANY FORM OR BY ANY MEANS WITHOUT THE EXPRESS WRITTEN PERMISSION OF ROBROY ENCLOSURES. ALL RIGHTS RESERVED. UNDER THE COPYRIGHT LAWS. COPYRIGHT © 2018 ROBROY ENCLOSURES

SPECIAL REQUIREMENTS
ASSEMBLY:
 1. MOUNTING FEET SHOWN AS INSTALLED - FOR REFERENCE ONLY
 - SOLD SEPARATELY
 - CENTURION SERIES MOUNTING FOOT KIT (ATCEMTGFKIT)
 - INCLUDES (4) 5/16-18 x 1/2 FLAT HEAD SLOTTED SCREWS (RMSC5/16-18X1/2FL)
 2. (1) CENTURION SERIES SCREW PACK (WP4PKBP) SHALL BE PACKAGED LOOSELY INSIDE ENCLOSURE
 HARDWARE INCLUDED:
 -(4) #10-32 x 3/8 PAN HEAD SCREW (RMSC10/32X3/8ZN)
 -(4) #10 WASHER (RMWAS10ZN)

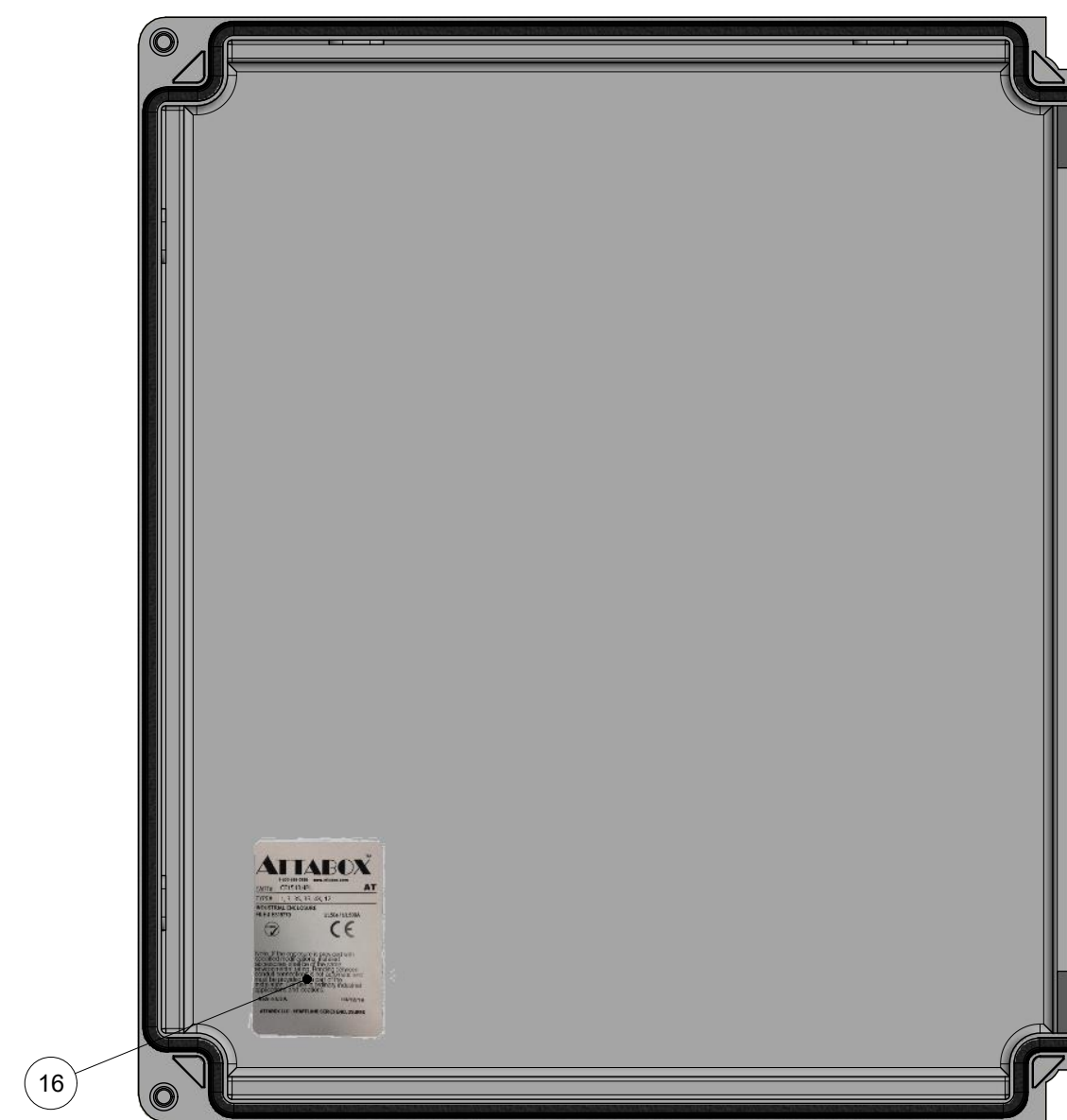
NEMA 250: TYPE 1, 3, 3S, 3R, 4X, 12		STANDARD P/N:	CE1513HPL	ALL DIMENSIONS ARE IN INCHES UNLESS OTHERWISE SPECIFIED		TOLERANCES UNLESS SPECIFIED	.XX ± 0.03	.XXX ± 0.010
IEC 60529: N/A		CUSTOMER DWG:						
COLOR: GLACIER GRAY (WPR3013)								
COLOR STANDARD: PANTONE 428 C								
MATERIAL: FIBERGLASS REINFORCED POLYESTER (FRP)								
REVISION HISTORY								
REV	DESCRIPTION	DATE	ENG					
-	-	-	-					
-	-	-	-					
-	-	-	-					
-	-	-	-					
-	-	-	-					
-	-	-	-					
		SCALE	DO NOT SCALE	DESCRIPTION	STANDARD ENCLOSURE	PART NUMBER	ATCE1513HPL	DWG
		DRAWN BY	ARB	DATE	12/5/18	CUSTOMER		CE1513HPL



Robroy Enclosures
 500 Maple Street
 Belding, Michigan 48809
 Phone: 616-794-0700
 Fax: 616-749-3378



BACK SIDE
(1) MOUNTING FOOT REMOVED FOR CLARITY
TORQUE SCREWS TO 10-14 IN.-LBS.



PARTS LIST			
ITEM	QTY	PART NUMBER	DESCRIPTION
1	1	WP1513HBOX	CE1513 MOLDED HINGE BOX
2	1	WP1513HU	CE1513HPL GASKETED COVER
3	2	RMINS45821P	#10-24 THREADED BRASS INSERT
4	4	RMINS45821P	#10-32 THREADED BRASS INSERT
5	4	RMINS5/16	5/16-18 THREADED BRASS INSERT
6	1	ATCEMTGFTKIT	CENTURION SERIES MOUNTING FOOT KIT (INCLUDES (4) MOUNTING FEET WITH SCREWS)
7	4	RMSC5/16-18X1/2FL	5/16-18 x 1/2 FLAT HEAD SLOTTED SCREW (INCLUDED WITH ATCEMTGFTKIT)
8	1	WP4PKBP	CENTURION SERIES SCREW PACK
9	2	RMHINGCL2	CENTURION SERIES HINGE PIN
10	2	RMWAS16FWRT006062	CENTURION SERIES HINGE PIN WASHER
11	1	RMSCCL305375	ALIGNMENT PIN
12	2	RMLATPLSSL	BLANK HPL LATCH
13	2	RMKEEPLL150	HLL KEEPER
14	4	RMRIV44	LATCH RIVET
15	4	RMRIV46	KEEPER RIVET
16	1	RMLABLANK3X2	CE1513HPL LABEL
17	AR	RTV-732	SILICONE SEALANT

THIS DRAWING IS THE SOLE AND EXCLUSIVE PROPERTY OF ROBROY ENCLOSURES. NO PART OF THIS DRAWING MAY BE REPRODUCED, DISTRIBUTED, OR PUBLICALLY DISPLAYED IN ANY FORM OR BY ANY MEANS WITHOUT THE EXPRESS WRITTEN PERMISSION OF ROBROY ENCLOSURES. ALL RIGHTS RESERVED. UNDER THE COPYRIGHT LAWS. COPYRIGHT © 2018 ROBROY ENCLOSURES.

SPECIAL REQUIREMENTS
ASSEMBLY:
 1. MOUNTING FEET SHOWN AS INSTALLED - FOR REFERENCE ONLY
 -SOLD SEPARATELY
 -CENTURION SERIES MOUNTING FOOT KIT (ATCEMTGFTKIT)
 -INCLUDES (4) 5/16-18 x 1/2 FLAT HEAD SLOTTED SCREWS (RMSC5/16-18X1/2FL)
 2. (1) CENTURION SERIES SCREW PACK (WP4PKBP) SHALL BE PACKAGED LOOSELY INSIDE ENCLOSURE
 -HARDWARE INCLUDED:
 - (4) #10-32 x 3/8 PAN HEAD SCREW (RMSC10/32X3/8ZN)
 - (4) #10 WASHER (RMWAS10ZN)

NEMA 250: TYPE 1, 3, 3S, 3R, 4X, 12
 IEC 60529: N/A
 COLOR: GLACIER GRAY (WPR3013)
 COLOR STANDARD: PANTONE 428 C

STANDARD P/N: CE1513HPL
 CUSTOMER DWG:

ALL DIMENSIONS ARE IN INCHES UNLESS OTHERWISE SPECIFIED
 TOLERANCES UNLESS SPECIFIED .XX ± 0.03 .XXX ± 0.010

MATERIAL: FIBERGLASS REINFORCED POLYESTER (FRP)

AttaBox
 A ROBROY ENCLOSURES™ BRAND

Robroy Enclosures
 500 Maple Street
 Belding, Michigan 48809
 Phone: 616-794-0700
 Fax: 616-749-3378

DRAWN BY	DATE	CUSTOMER	DWG
ARB	12/5/18		CE1513HPL
SCALE	DESCRIPTION	PART NUMBER	
DO NOT SCALE	STANDARD ENCLOSURE	ATCE1513HPL	