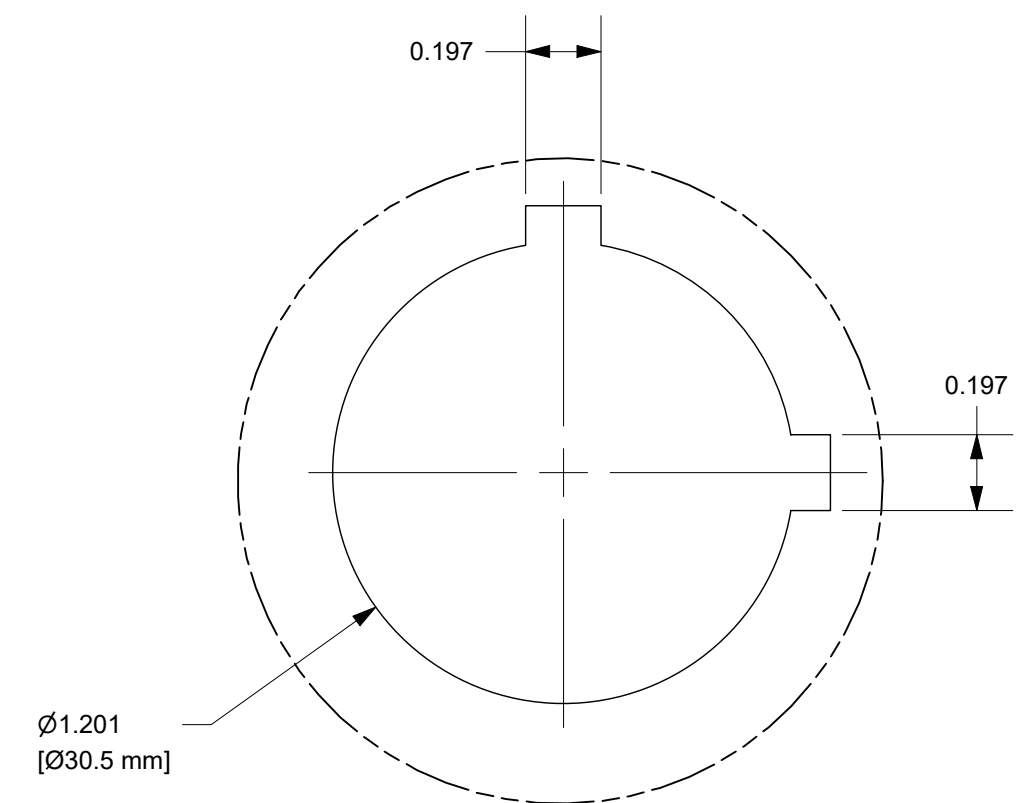
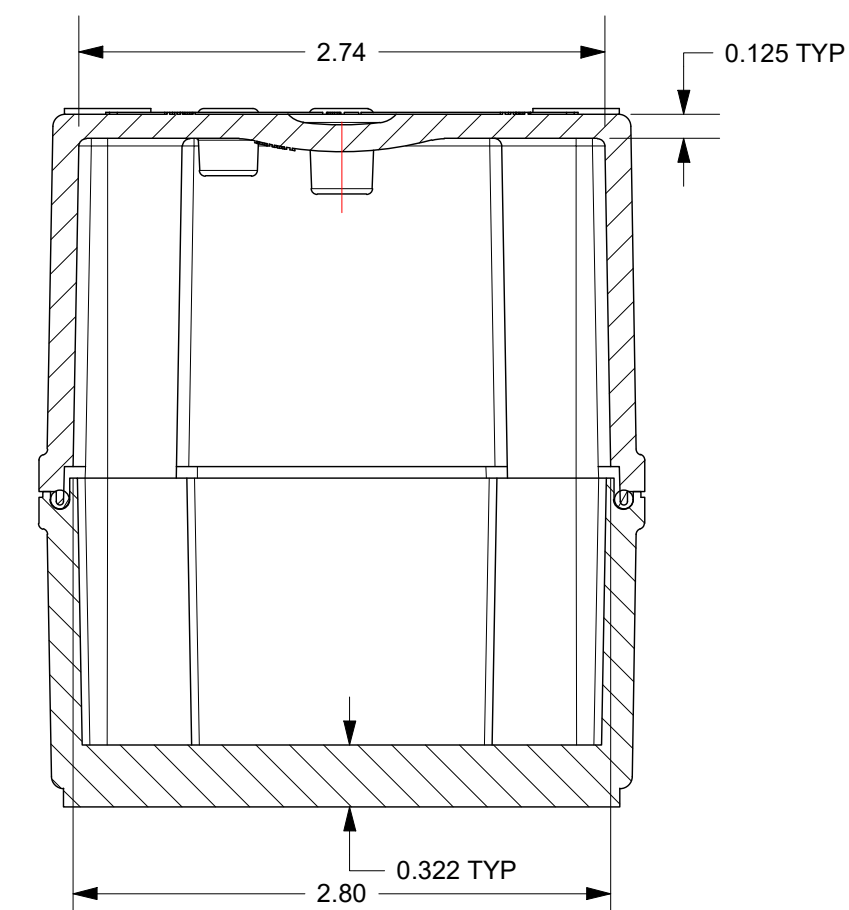


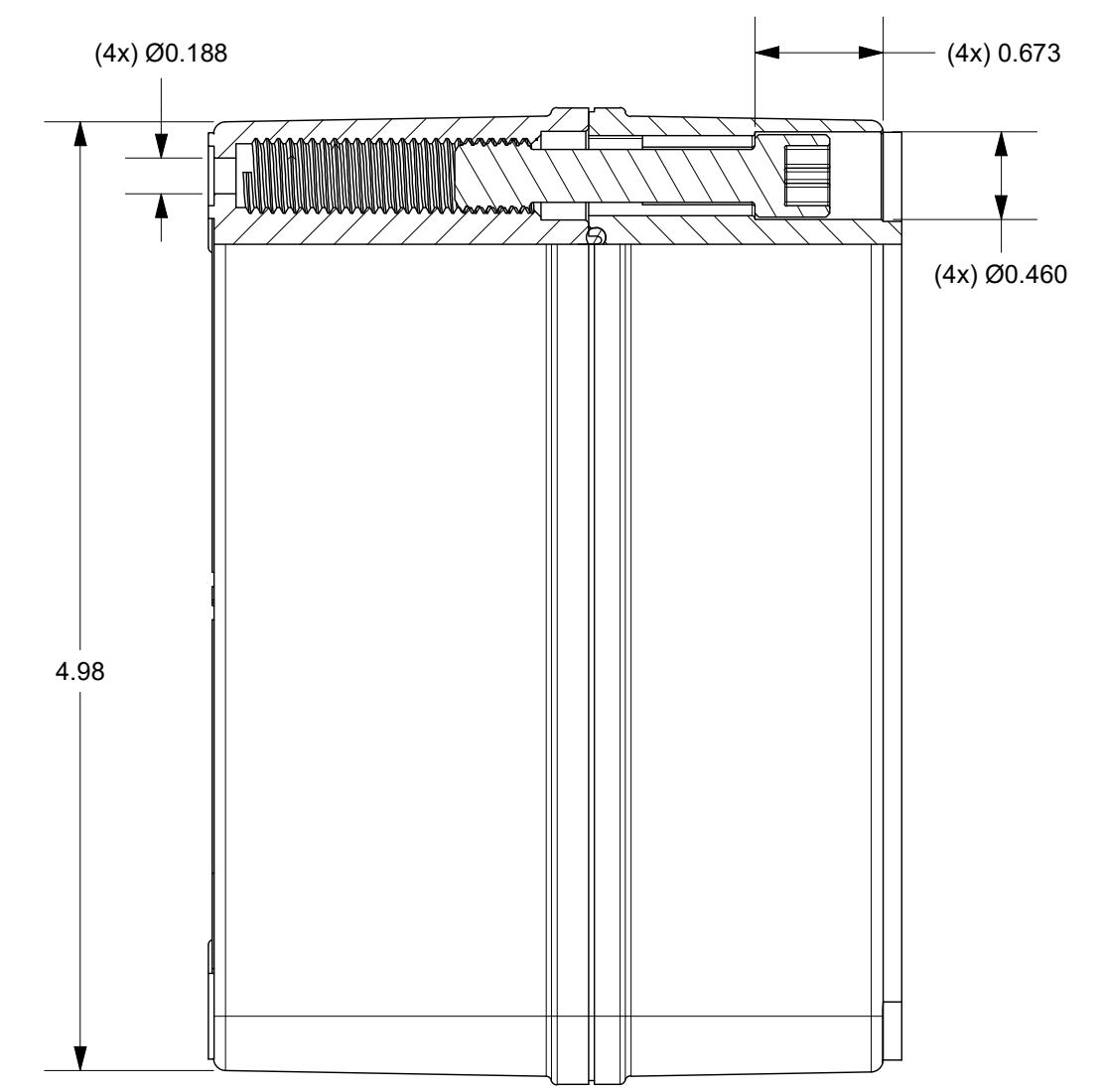
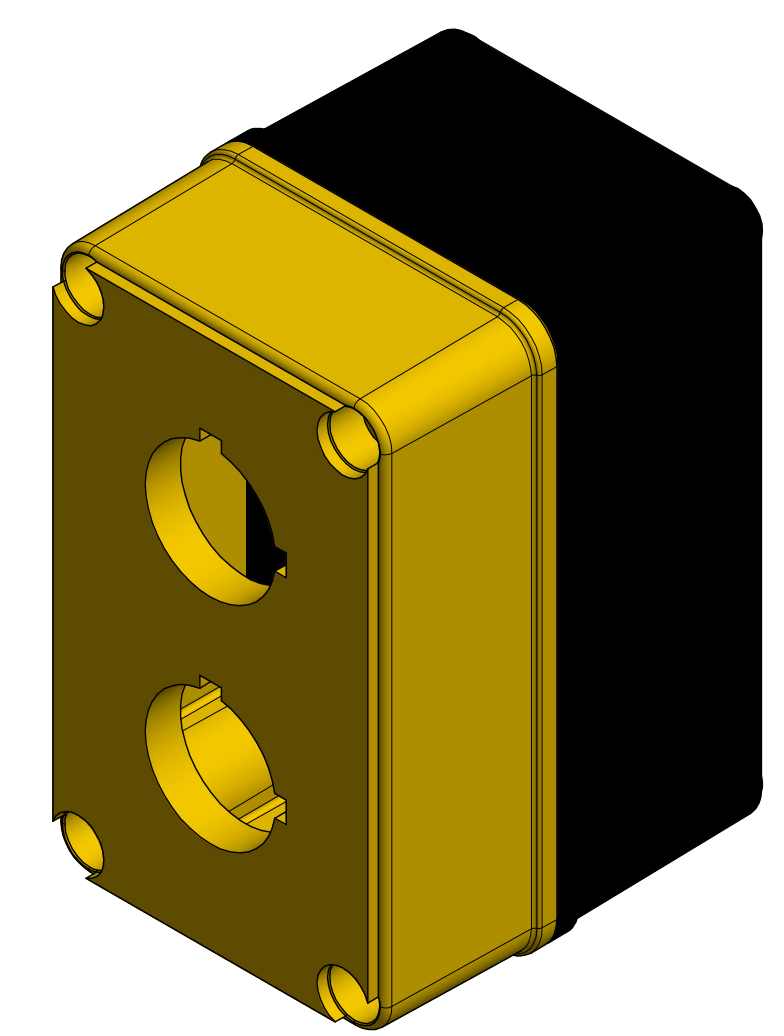
8 7 6 5 4 3 2 1



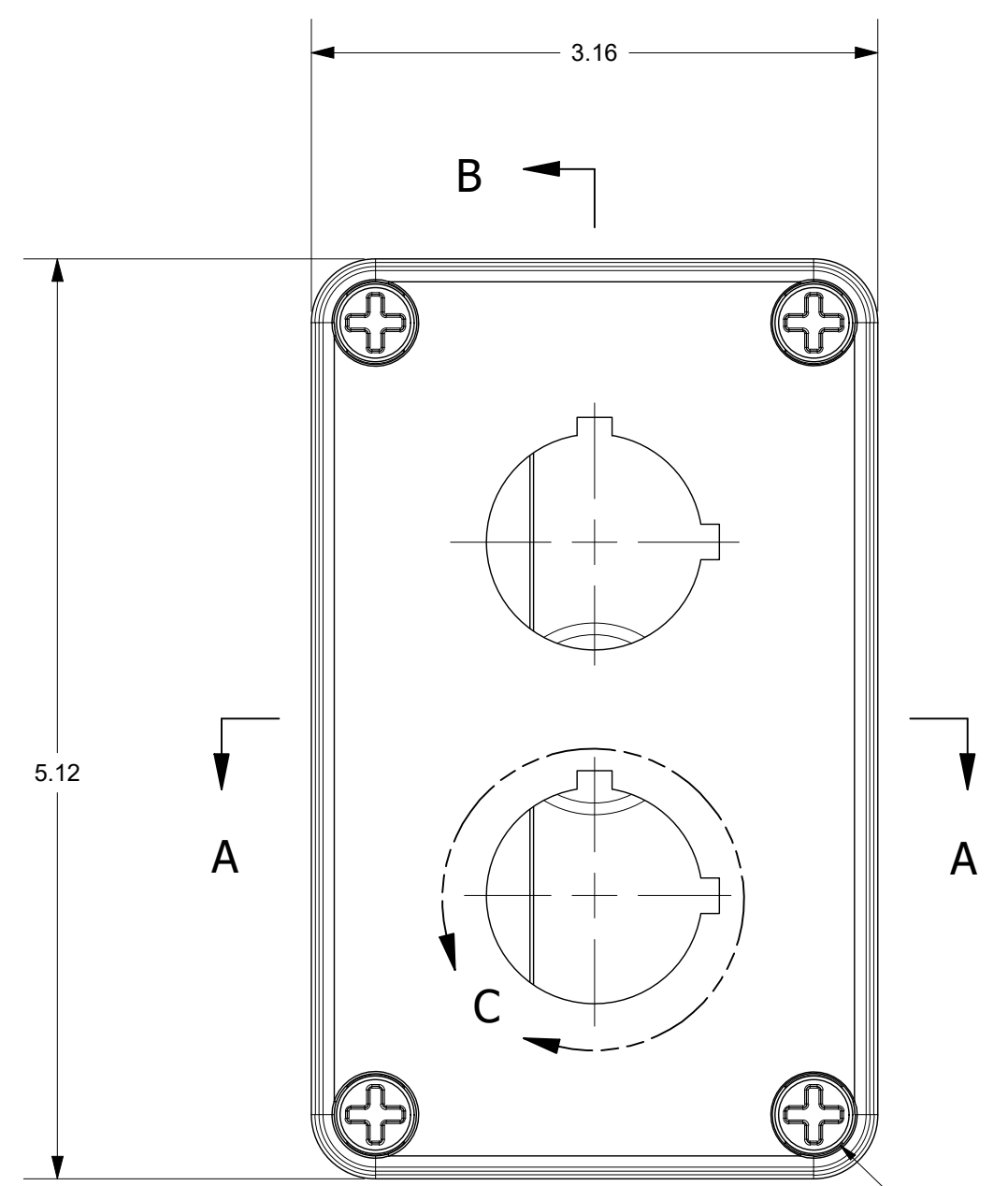
DETAIL C
SOME DETAILS REMOVED FOR CLARITY
(2X)



SECTION A-A

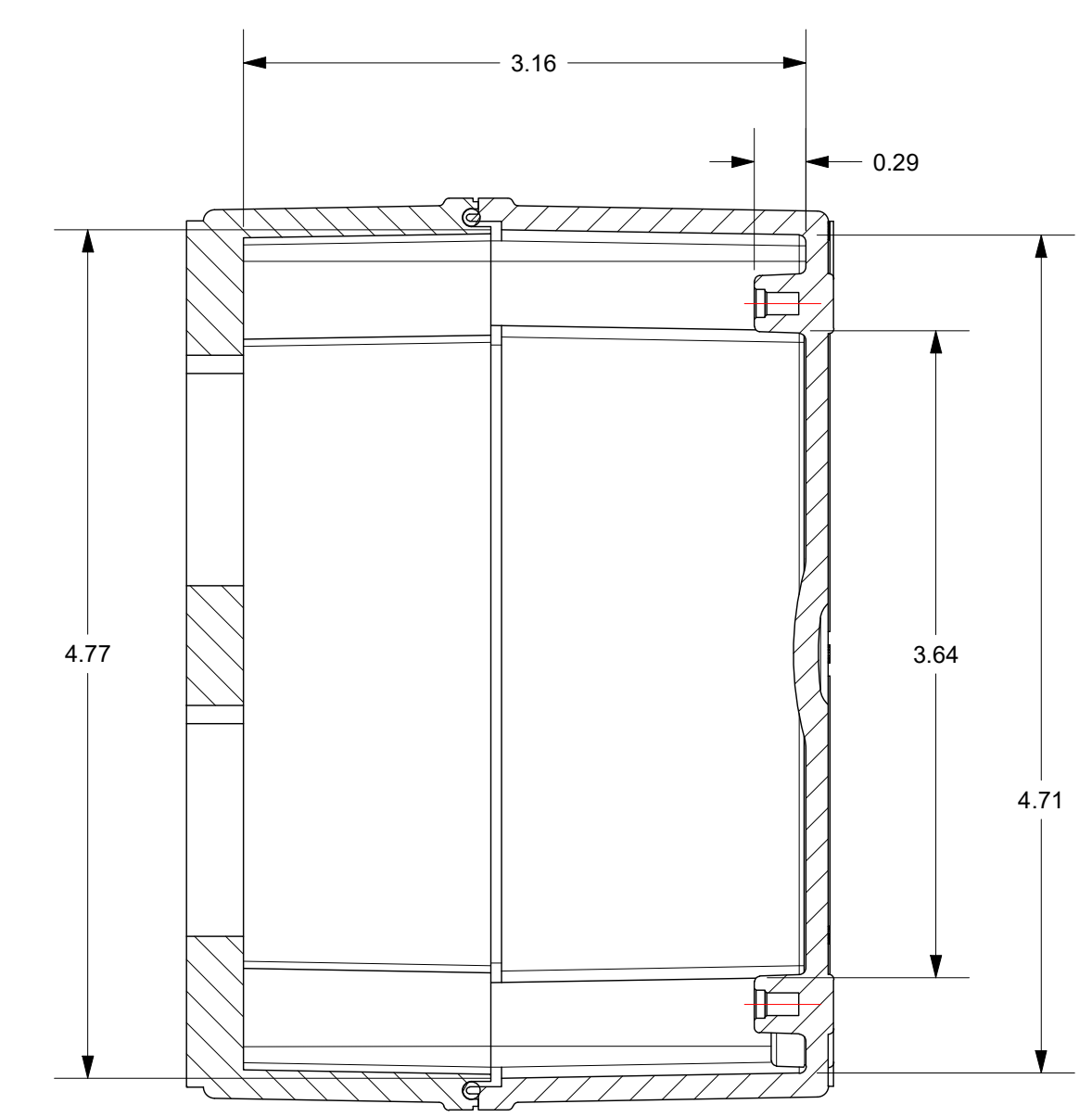


LEFT VIEW

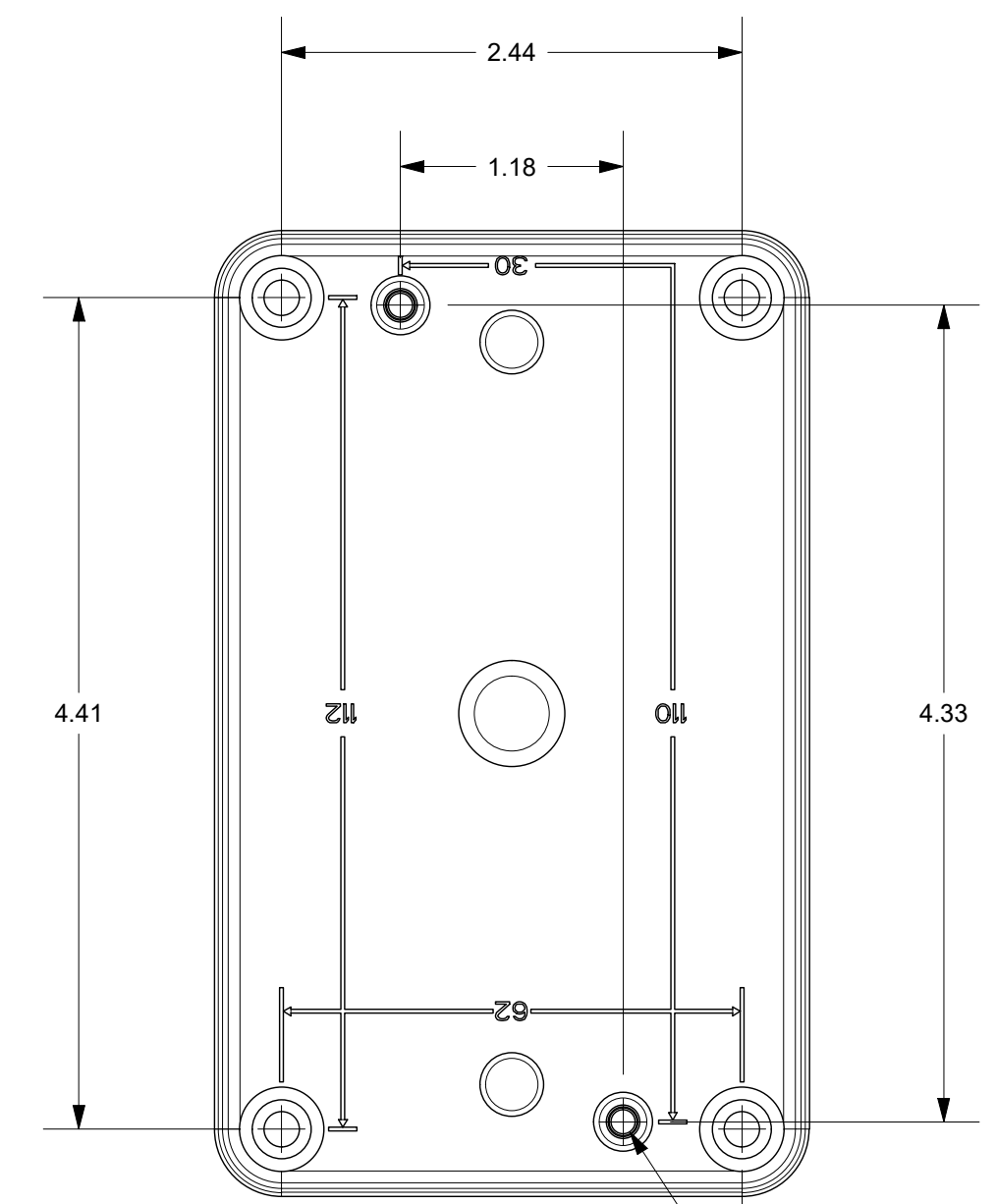


FRONT VIEW

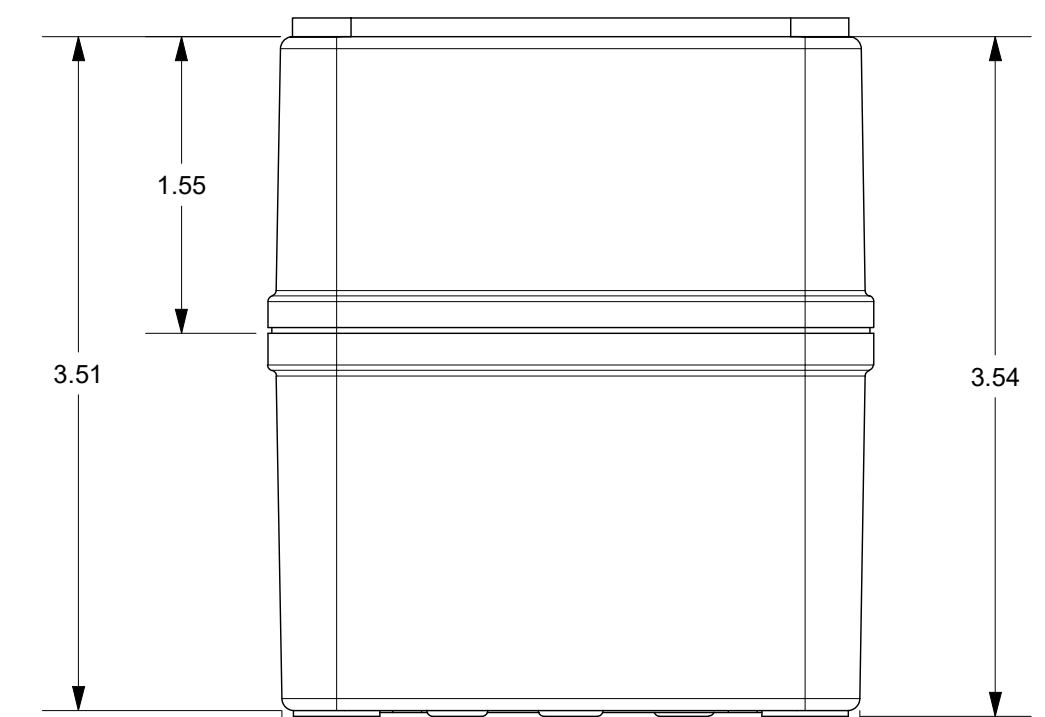
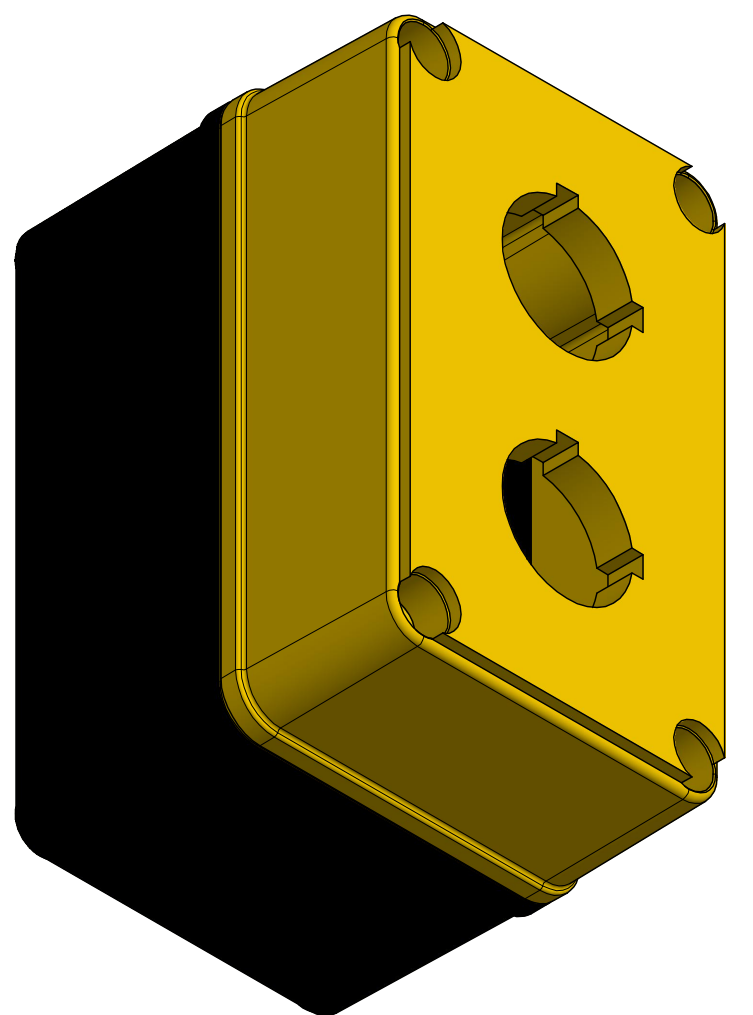
COVER SCREW
CUSTOM POLYCARBONATE
(4X)



SECTION B-B



BACK VIEW




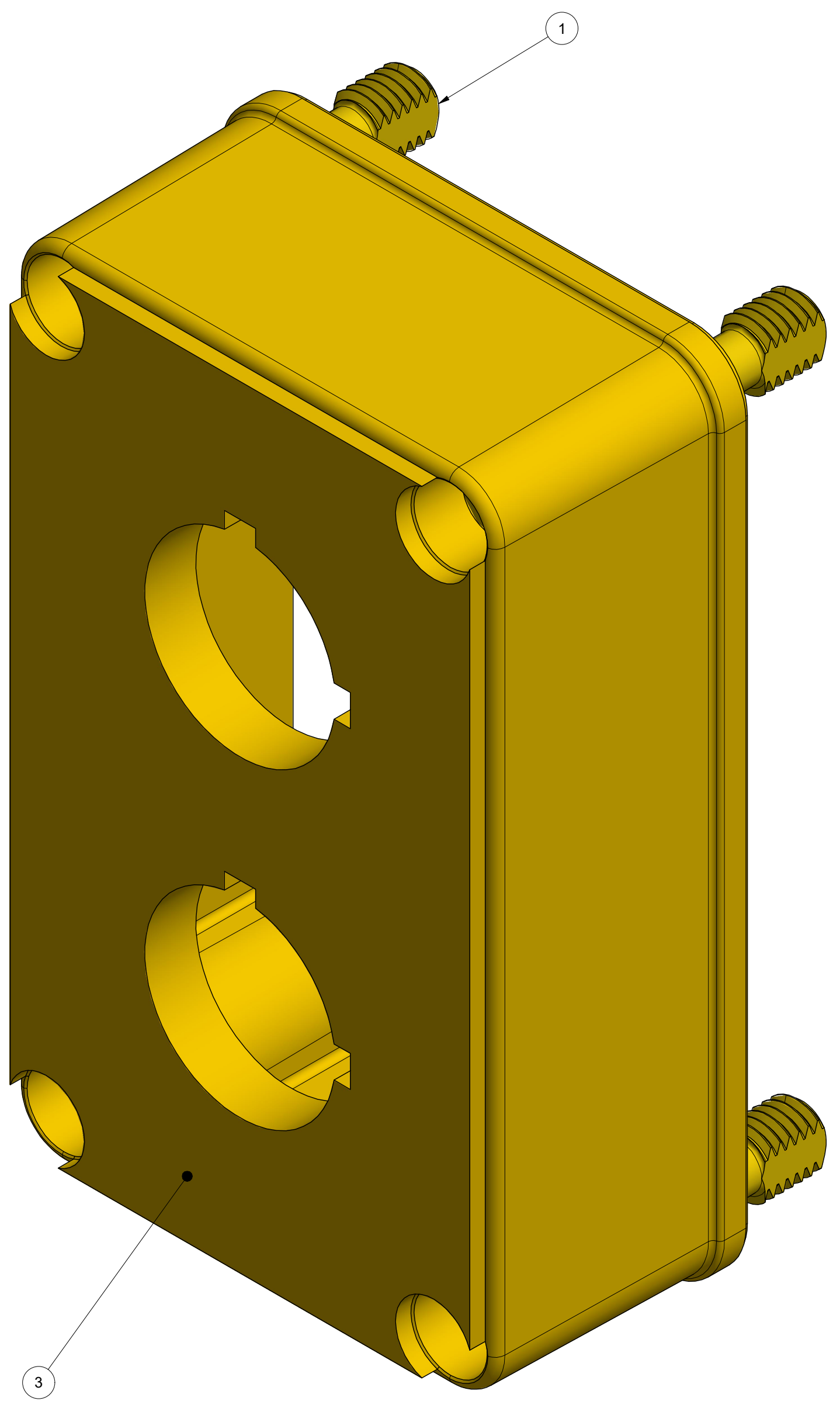
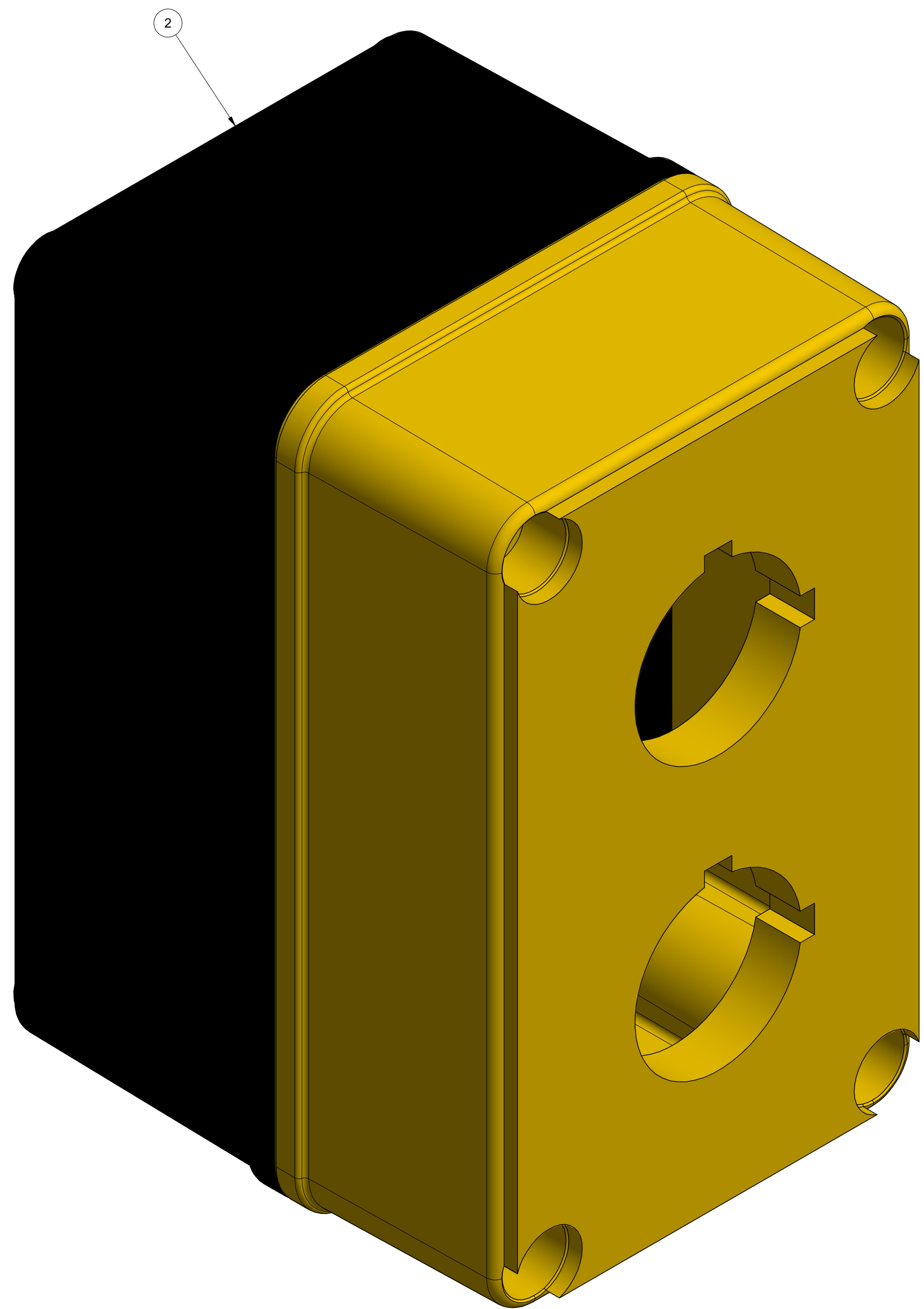
BOTTOM VIEW

THIS DRAWING IS THE SOLE AND EXCLUSIVE PROPERTY OF ROBROY ENCLOSURES. NO PART OF THIS DRAWING MAY BE REPRODUCED, DISTRIBUTED, OR PUBLICALLY DISPLAYED IN ANY FORM OR BY ANY MEANS WITHOUT THE EXPRESS WRITTEN PERMISSION OF ROBROY ENCLOSURES. ALL RIGHTS RESERVED. UNDER THE COPYRIGHT LAWS. COPYRIGHT © 2021 ROBROY ENCLOSURES.

SPECIAL REQUIREMENTS

- END USER NOTES:**
1. TORQUE COVER SCREWS TO 16 IN.-LBS. TO MAINTAIN RATINGS
2. RECOMMEND #10-24 x 1" - IF MOUNTING BOX THROUGH MOUNTING WELLS
- MOLDING:**
1. BOX SHALL BE MOLDED IN BLACK
2. COVER SHALL BE MOLDED IN YELLOW
3. COVER SCREW (4X) SHALL BE MOLDED IN YELLOW (YWS70009)

NEMA 250: TYPE 1, 3R, 4X, 6P, 12 IEC 60529: IP66, IP68		STANDARD P/N: YW-COPC2PB	ALL DIMENSIONS ARE IN INCHES UNLESS OTHERWISE SPECIFIED	TOLERANCES UNLESS SPECIFIED	.XX ± 0.03	.XXX ± 0.010																												
COLOR: N/A COLOR STANDARD: BLACK / SAFETY YELLOW (W2029)		CUSTOMER DWG: N/A	 AttaBox A ROBROY ENCLOSURES™ BRAND Robroy Enclosures 500 Maple Street Belding, Michigan 48809 Phone: 616-794-0700 Fax: 616-749-3378																															
MATERIAL: POLYCARBONATE																																		
<table border="1"> <thead> <tr> <th>REV</th> <th>DESCRIPTION</th> <th>DATE</th> <th>ENG</th> </tr> </thead> <tbody> <tr><td>-</td><td>-</td><td>-</td><td>-</td></tr> <tr><td>-</td><td>-</td><td>-</td><td>-</td></tr> <tr><td>-</td><td>-</td><td>-</td><td>-</td></tr> <tr><td>-</td><td>-</td><td>-</td><td>-</td></tr> <tr><td>-</td><td>-</td><td>-</td><td>-</td></tr> <tr><td>-</td><td>-</td><td>-</td><td>-</td></tr> </tbody> </table>							REV	DESCRIPTION	DATE	ENG	-	-	-	-	-	-	-	-	-	-	-	-	-	-	-	-	-	-	-	-	-	-	-	-
REV	DESCRIPTION	DATE	ENG																															
-	-	-	-																															
-	-	-	-																															
-	-	-	-																															
-	-	-	-																															
-	-	-	-																															
-	-	-	-																															
DRAWN BY: BH		DATE: 2/16/21	CUSTOMER:		DWG: YW-COPC2PB																													
DO NOT SCALE		SCALE:	DESCRIPTION: STANDARD ENCLOSURE	PART NUMBER: ATYW-COPC2PB																														



BOX DETAIL

PARTS LIST			
ITEM	QTY	PART NUMBER	DESCRIPTION
1	4	WPPCCKIT-YL	4-PACK POLYCARBONATE MOLDED SCREWS (WPPCPBSCREW)
2	1	WPPC532BOX-BK	5x3x2 POLYCARBONATE BOX - BLACK
3	1	WPPC2PB30U-YL	COPC2PB GASKETED COVER - YELLOW
4	1	RMLABSTAHLIN3X2	PRODUCT LABEL

THIS DRAWING IS THE SOLE AND EXCLUSIVE PROPERTY OF ROBROY ENCLOSURES. NO PART OF THIS DRAWING MAY BE REPRODUCED, DISTRIBUTED, OR PUBLICALLY DISPLAYED IN ANY FORM OR BY ANY MEANS WITHOUT THE EXPRESS WRITTEN PERMISSION OF ROBROY ENCLOSURES. ALL RIGHTS RESERVED. UNDER THE COPYRIGHT LAWS. COPYRIGHT © 2021 ROBROY ENCLOSURES.

SPECIAL REQUIREMENTS		NEMA 250: TYPE 1, 3R, 4X, 6P, 12 IEC 60529: IP66, IP68	STANDARD P/N: YW-COPC2PB	ALL DIMENSIONS ARE IN INCHES UNLESS OTHERWISE SPECIFIED	TOLERANCES UNLESS SPECIFIED	.XX ± 0.03	.XXX ± 0.010
END USER NOTES: 1. TORQUE COVER SCREWS TO 16 IN.-LBS. TO MAINTAIN RATINGS 2. RECOMMEND #10-24 x 1" - IF MOUNTING BOX THROUGH MOUNTING WELLS MOLDING: 1. BOX SHALL BE MOLDED IN BLACK 2. COVER SHALL BE MOLDED IN YELLOW 3. COVER SCREW (4X) SHALL BE MOLDED IN YELLOW (YWS70009)		COLOR: N/A COLOR STANDARD: BLACK / SAFETY YELLOW (W2029)	CUSTOMER DWG: N/A				
MATERIAL: POLYCARBONATE							
Robroy Enclosures 500 Maple Street Belding, Michigan 48809 Phone: 616-794-0700 Fax: 616-749-3378		AttaBox A ROBROY ENCLOSURES™ BRAND		DRAWN BY: BH DATE: 2/16/21 CUSTOMER:		DWG: YW-COPC2PB PART NUMBER: ATY-W-COPC2PB	
DO NOT SCALE		SCALE		DESCRIPTION		PART NUMBER	
				STANDARD ENCLOSURE		ATY-W-COPC2PB	