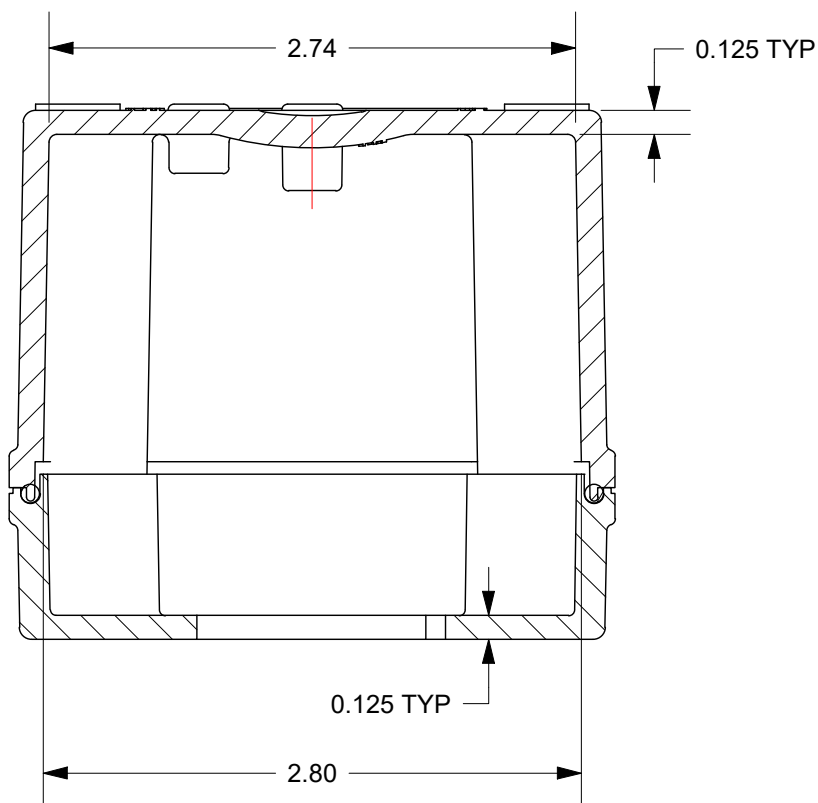
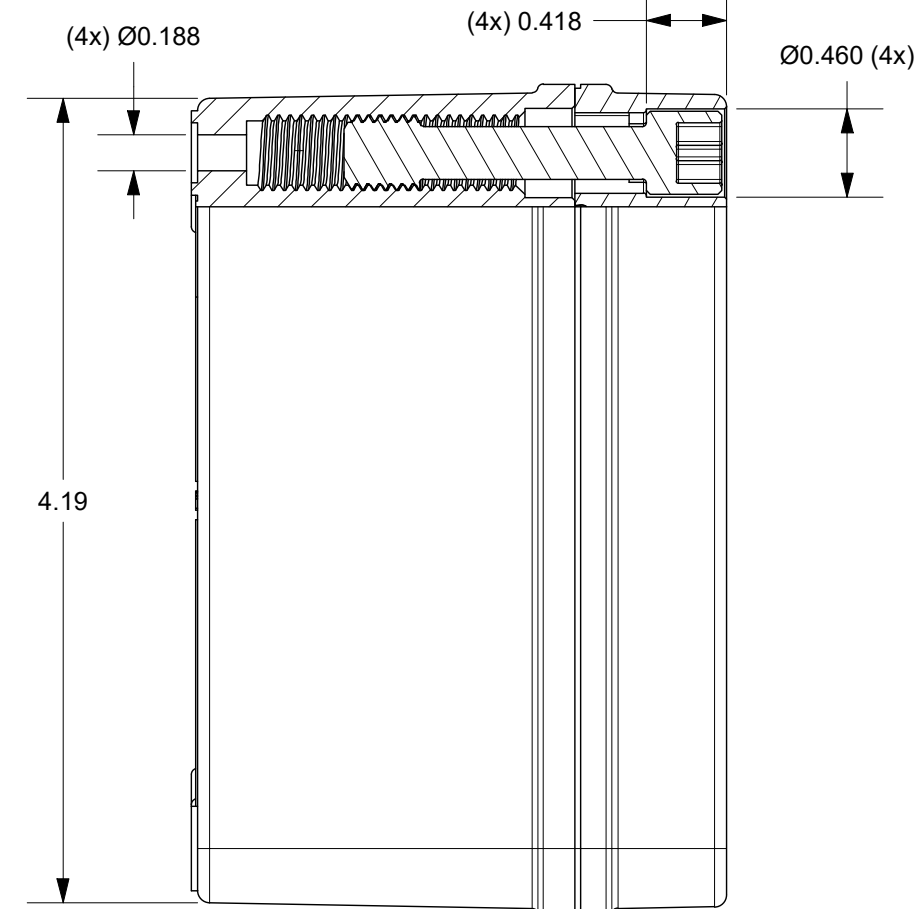
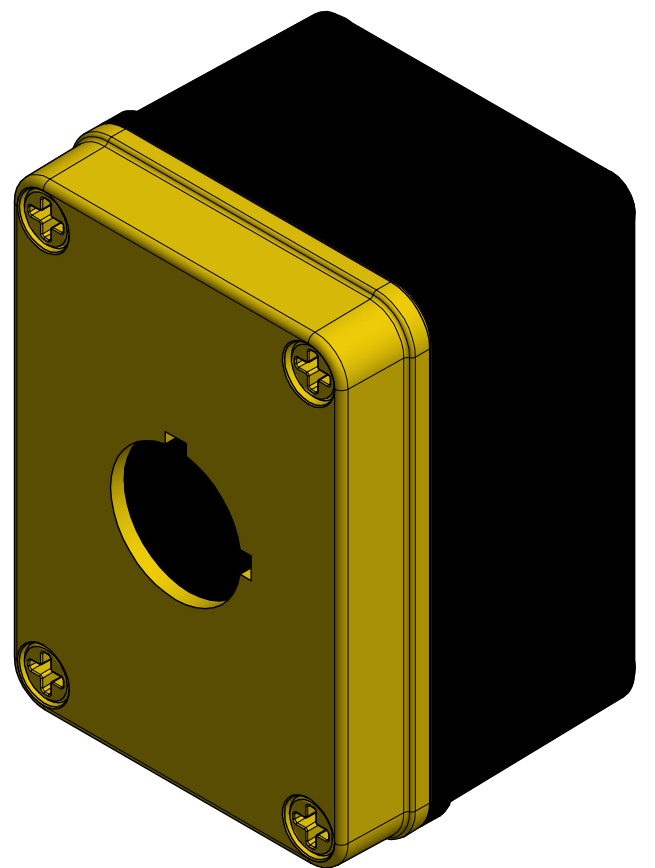


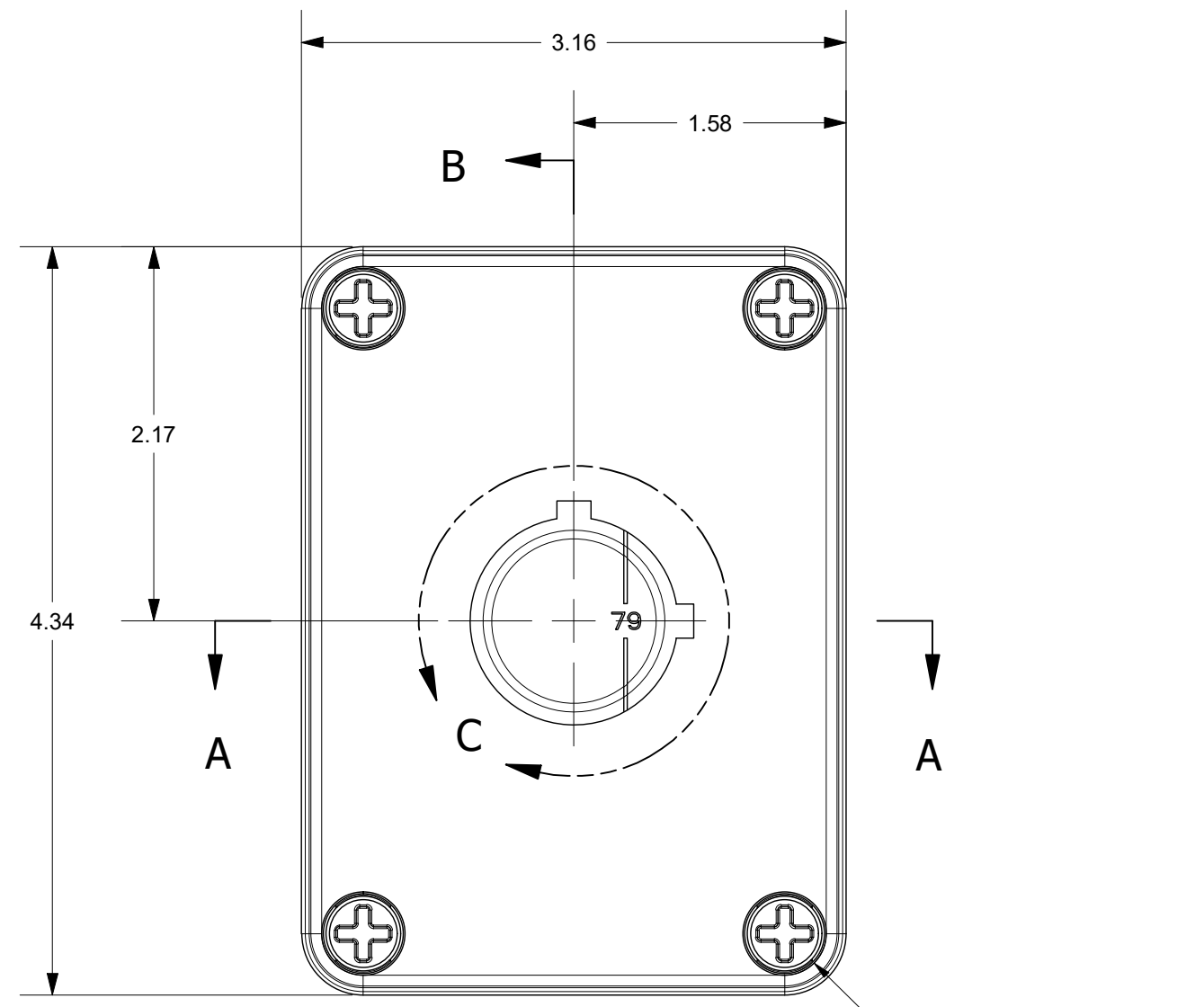
DETAIL C
SOME DETAILS REMOVED FOR CLARITY



SECTION A-A

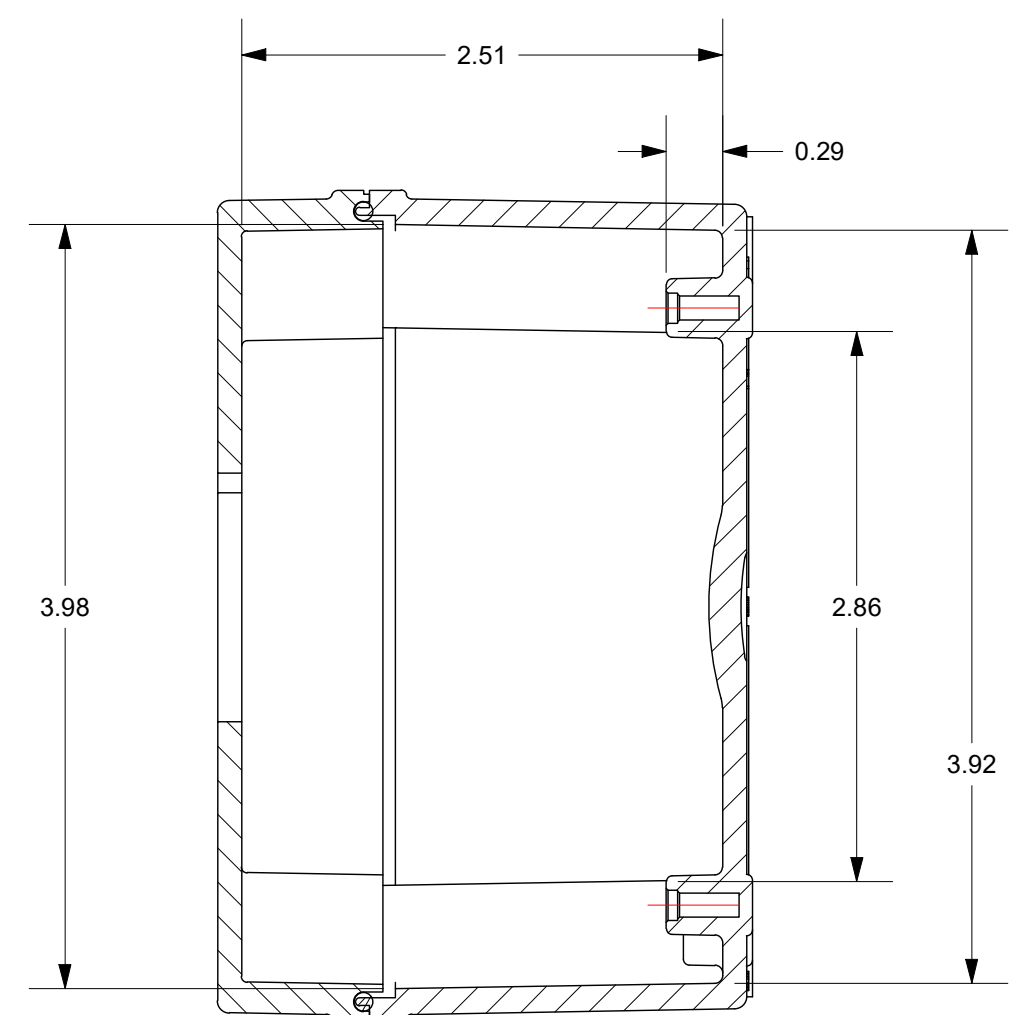


LEFT VIEW

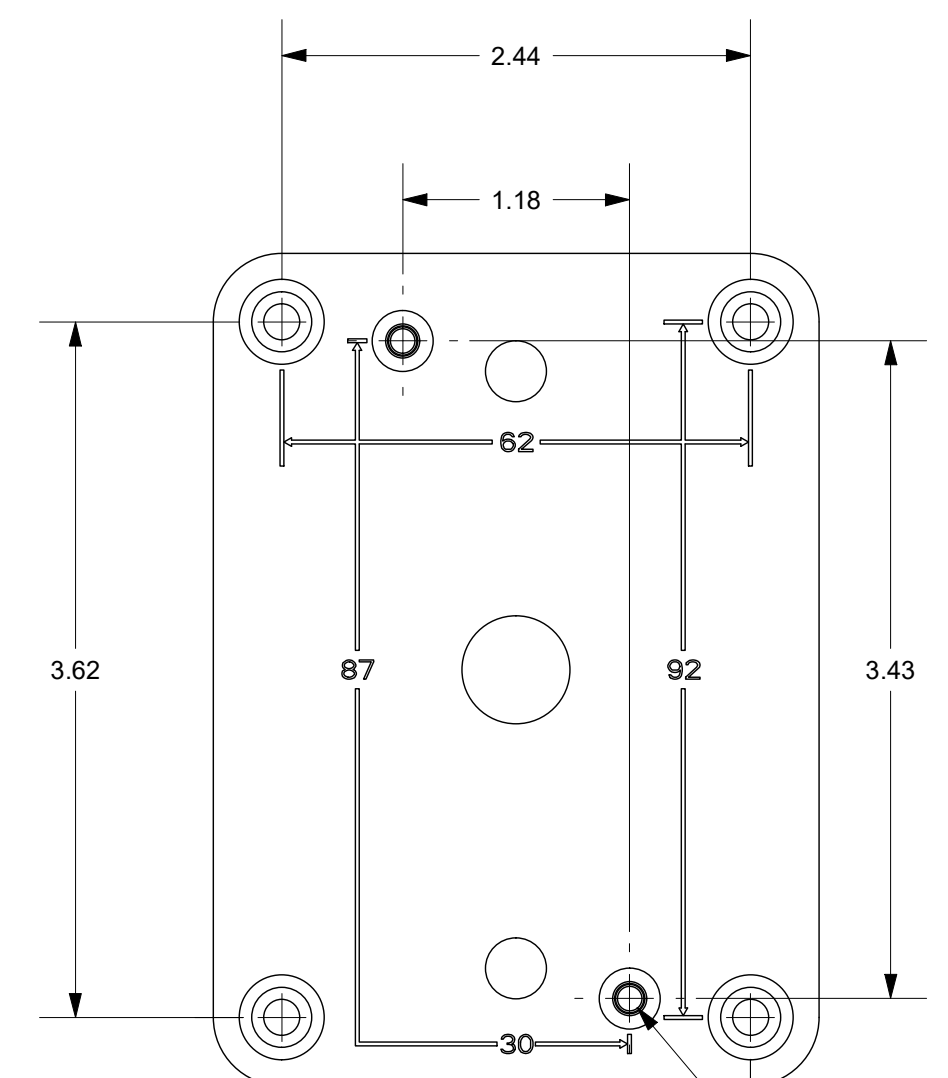


FRONT VIEW

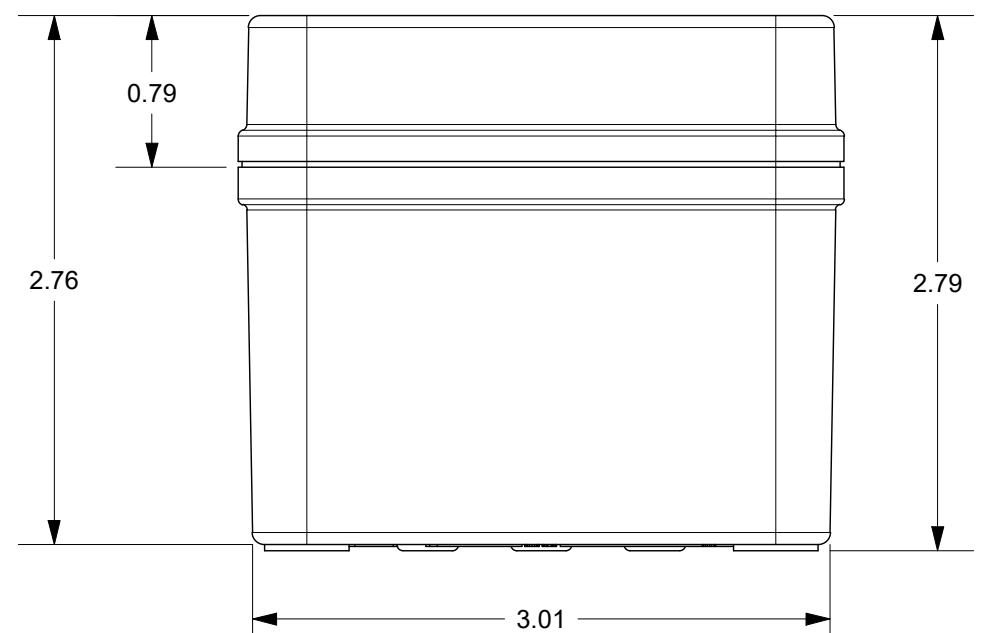
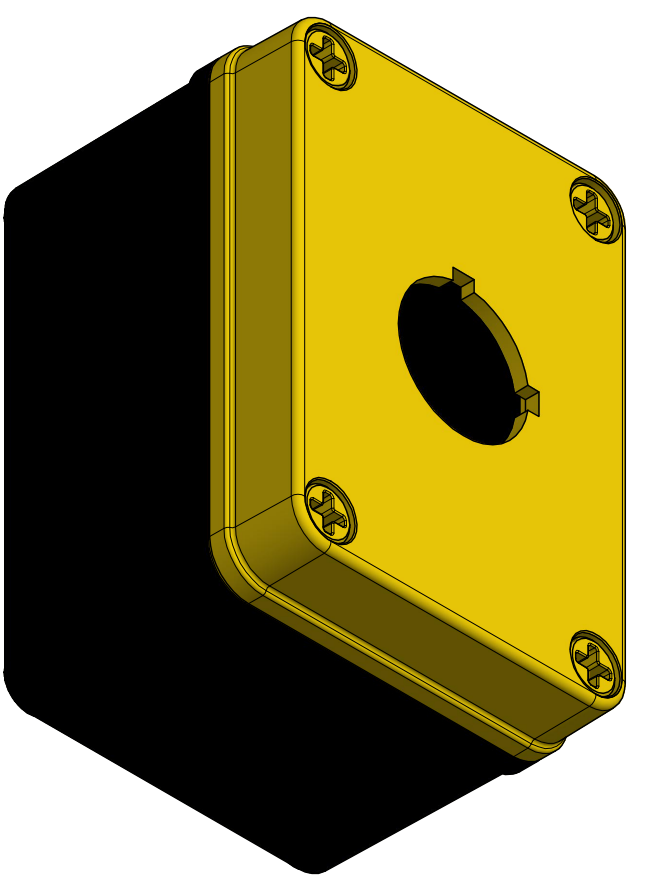
COVER SCREW
CUSTOM POLYCARBONATE
(4X)



SECTION B-B



BACK VIEW




BOTTOM VIEW

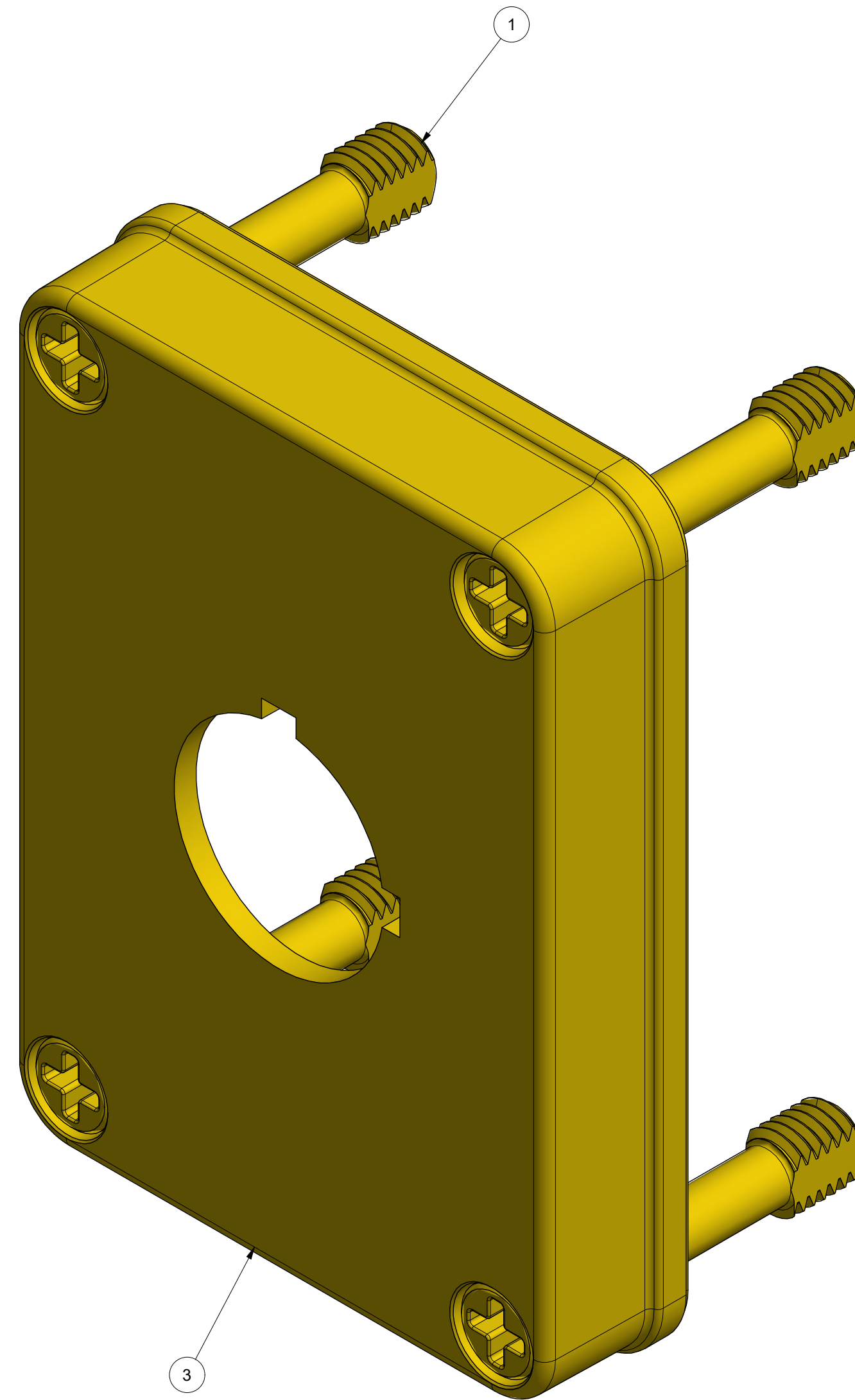
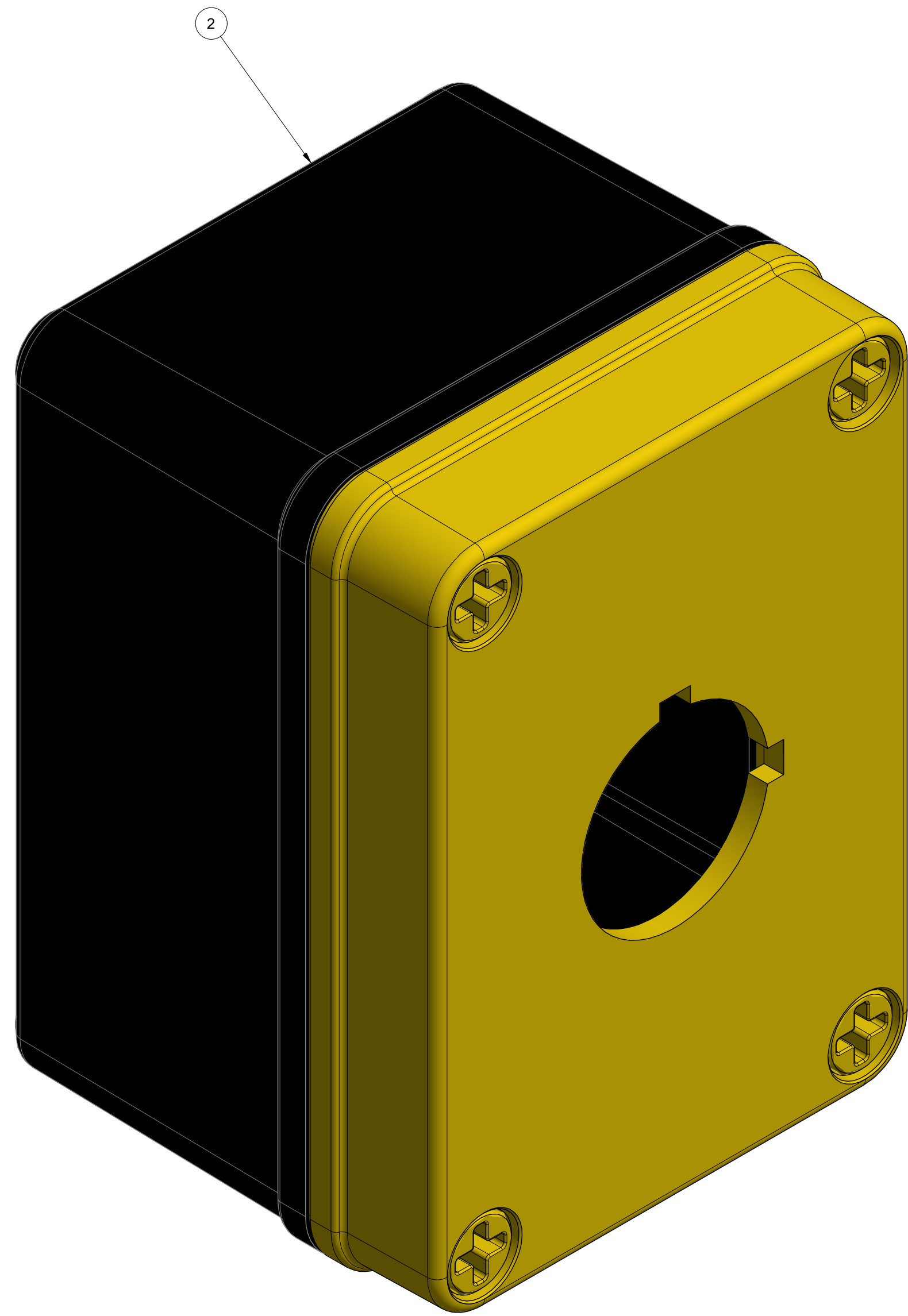
THIS DRAWING IS THE SOLE AND EXCLUSIVE PROPERTY OF ROBROY ENCLOSURES. NO PART OF THIS DRAWING MAY BE REPRODUCED, DISTRIBUTED, OR PUBLICALLY DISPLAYED IN ANY FORM OR BY ANY MEANS WITHOUT THE EXPRESS WRITTEN PERMISSION OF ROBROY ENCLOSURES. ALL RIGHTS RESERVED. UNDER THE COPYRIGHT LAWS. COPYRIGHT © 2021 ROBROY ENCLOSURES

SPECIAL REQUIREMENTS

- END USER NOTES:**
1. TORQUE COVER SCREWS TO 16 IN.-LBS. TO MAINTAIN RATINGS
2. RECOMMEND #10-24 x 1" - IF MOUNTING BOX THROUGH MOUNTING WELLS
- MOLDING:**
1. BOX SHALL BE MOLDED IN BLACK
2. COVER SHALL BE MOLDED IN YELLOW (YWS70009)
3. COVER SCREW (4X) SHALL BE MOLDED IN YELLOW (YWS70009)
- ASSEMBLY:**
1. TRIM PRODUCT LABEL TO FIT INSIDE BOX

NEMA 250: TYPE 1, 3R, 4X, 6P, 12 IEC 60529: IP66, IP68		STANDARD P/N: YW-COPC1PB	ALL DIMENSIONS ARE IN INCHES UNLESS OTHERWISE SPECIFIED	TOLERANCES UNLESS SPECIFIED	.XX ± 0.03	.XXX ± 0.010																																																															
COLOR: N/A COLOR STANDARD: BLACK / SAFETY YELLOW (W2029)		CUSTOMER DWG: N/A	 <p>AttaBox A ROBROY ENCLOSURES™ BRAND</p>																																																																		
MATERIAL: POLYCARBONATE																																																																					
<table border="1"> <thead> <tr> <th colspan="7">REVISION HISTORY</th> </tr> <tr> <th>REV</th> <th>DESCRIPTION</th> <th>DATE</th> <th>ENG</th> <th colspan="3"></th> </tr> </thead> <tbody> <tr><td>-</td><td>-</td><td>-</td><td>-</td><td colspan="3"></td></tr> <tr><td>-</td><td>-</td><td>-</td><td>-</td><td colspan="3"></td></tr> <tr><td>-</td><td>-</td><td>-</td><td>-</td><td colspan="3"></td></tr> <tr><td>-</td><td>-</td><td>-</td><td>-</td><td colspan="3"></td></tr> <tr><td>-</td><td>-</td><td>-</td><td>-</td><td colspan="3"></td></tr> <tr><td>-</td><td>-</td><td>-</td><td>-</td><td colspan="3"></td></tr> <tr><td>-</td><td>-</td><td>-</td><td>-</td><td colspan="3"></td></tr> </tbody> </table>							REVISION HISTORY							REV	DESCRIPTION	DATE	ENG				-	-	-	-				-	-	-	-				-	-	-	-				-	-	-	-				-	-	-	-				-	-	-	-				-	-	-	-			
REVISION HISTORY																																																																					
REV	DESCRIPTION	DATE	ENG																																																																		
-	-	-	-																																																																		
-	-	-	-																																																																		
-	-	-	-																																																																		
-	-	-	-																																																																		
-	-	-	-																																																																		
-	-	-	-																																																																		
-	-	-	-																																																																		
DRAWN BY: BH		DATE: 02/16/21	CUSTOMER		DWG																																																																
SCALE: DO NOT SCALE		DESCRIPTION: STANDARD ENCLOSURE	PART NUMBER: ATYW-COPC1PB																																																																		

Robroy Enclosures
500 Maple Street
Belding, Michigan 48809
Phone: 616-794-0700
Fax: 616-749-3378



BOX DETAIL

ITEM	QTY	PART NUMBER	DESCRIPTION
1	1	WPPCSCKIT-YL	4-PACK POLYCARBONATE SCREWS - WPPCPBSCREW-YL (YELLOW)
2	1	WPPC432BOX-BK	4x3x2 POLYCARBONATE BOX (BLACK)
3	1	WPPC1PB30U-YL	WPPC1PB30CVR GASKETED COVER (YELLOW)
4	1	RMLABBLANK3X2	PRODUCT LABEL


THIS DRAWING IS THE SOLE AND EXCLUSIVE PROPERTY OF ROBROY ENCLOSURES. NO PART OF THIS DRAWING MAY BE REPRODUCED, DISTRIBUTED, OR PUBLICALLY DISPLAYED IN ANY FORM OR BY ANY MEANS WITHOUT THE EXPRESS WRITTEN PERMISSION OF ROBROY ENCLOSURES. ALL RIGHTS RESERVED. UNDER THE COPYRIGHT LAWS. COPYRIGHT © 2021 ROBROY ENCLOSURES.

SPECIAL REQUIREMENTS

END USER NOTES:
 1. TORQUE COVER SCREWS TO 16 IN.-LBS. TO MAINTAIN RATINGS
 2. RECOMMEND #10-24 x 1" - IF MOUNTING BOX THROUGH MOUNTING WELLS

MOLDING:
 1. BOX SHALL BE MOLDED IN BLACK
 2. COVER SHALL BE MOLDED IN YELLOW (YWS70009)
 3. COVER SCREW (4X) SHALL BE MOLDED IN YELLOW (YWS70009)

ASSEMBLY:
 1. TRIM PRODUCT LABEL TO FIT INSIDE BOX

NEMA 250: TYPE 1, 3R, 4X, 6P, 12 IEC 60529: IP66, IP68	STANDARD P/N: YW-COPC1PB	ALL DIMENSIONS ARE IN INCHES UNLESS OTHERWISE SPECIFIED	TOLERANCES UNLESS SPECIFIED	.XX ± 0.03	.XXX ± 0.010
COLOR: N/A COLOR STANDARD: BLACK / SAFETY YELLOW (W2029)	CUSTOMER DWG:	 AttaBox A ROBROY ENCLOSURES™ BRAND <i>Robroy Enclosures</i> 500 Maple Street Belding, Michigan 48809 Phone: 616-794-0700 Fax: 616-749-3378			
MATERIAL: POLYCARBONATE					
DRAWN BY: BH	DATE: 02/16/2021	CUSTOMER:	DWG: YW-COPC1PB		
SCALE: DO NOT SCALE	DESCRIPTION: STANDARD ENCLOSURE	PART NUMBER: ATYW-COPC1PB			