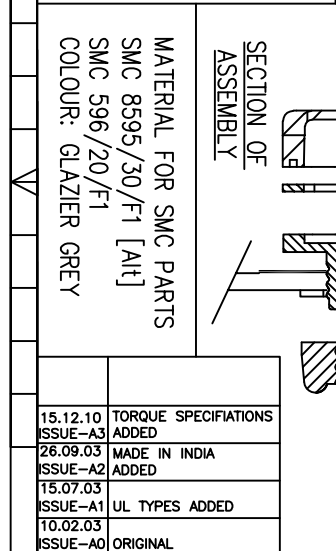
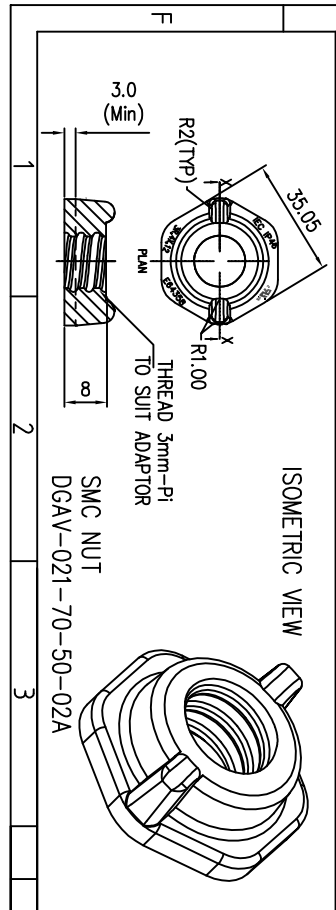


ASSEMBLY EXPLODED VIEW

S.No	DESCRIPTION	MATERIAL	QTY
07	M4X10 CH.HD.SCREW	S.S	4
06	NUT	SMC	1
05	ROUND GASKET	EPDM-RUBBER	1
04	STICKER TEMPLATE	ADHESIVE	1
03	ADAPTER	SMC	1
02	RECTANGULAR GASKET	EPDM-RUBBER	1
01	AIR VENT COVER	SMC	1



REBV4XKIT

SCALE : NTS | DATE: 18.05.02 | DEPT.: DESIGN

ALL DIMS ARE IN MM

PROJECTION	DRAWN	CHECKED
TTS		

SHT: 1 OF 1 SHT. TRACED: APPROVED:

TORQUE SPECIFICATIONS ADDED
 MADE IN INDIA ADDED
 UL TYPES ADDED
 ORIGINAL

MATERIAL FOR SMC PARTS
 SMC 8595/30/F1 [A1]
 SMC 596/20/F1
 COLOUR: GLAZIER GREY