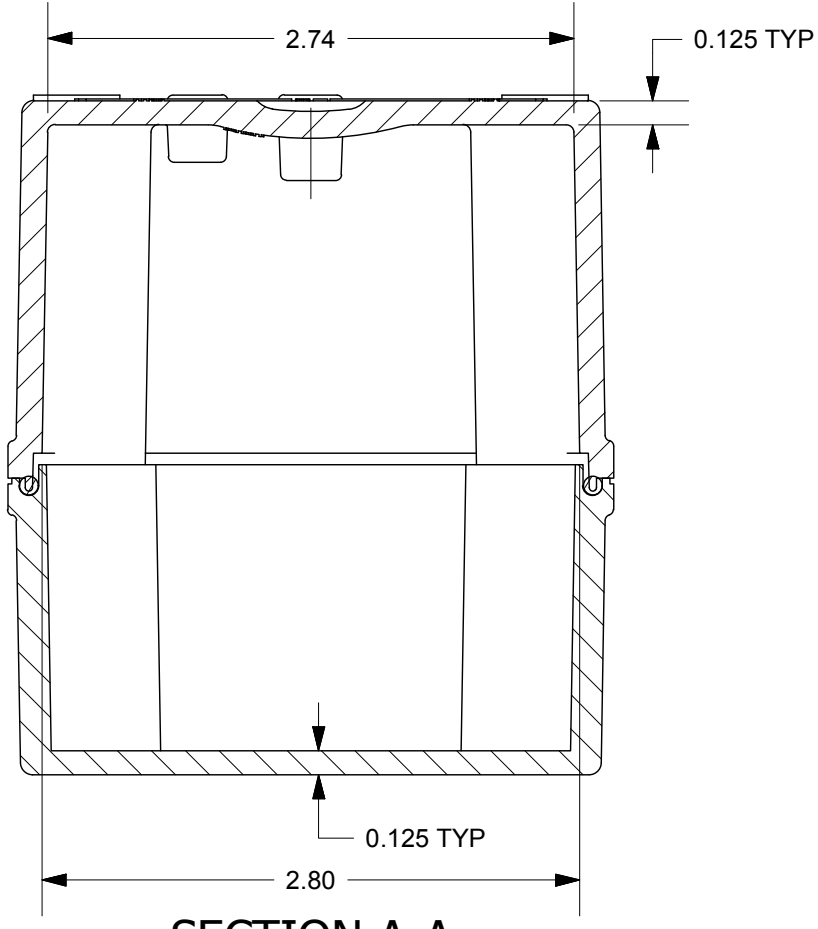
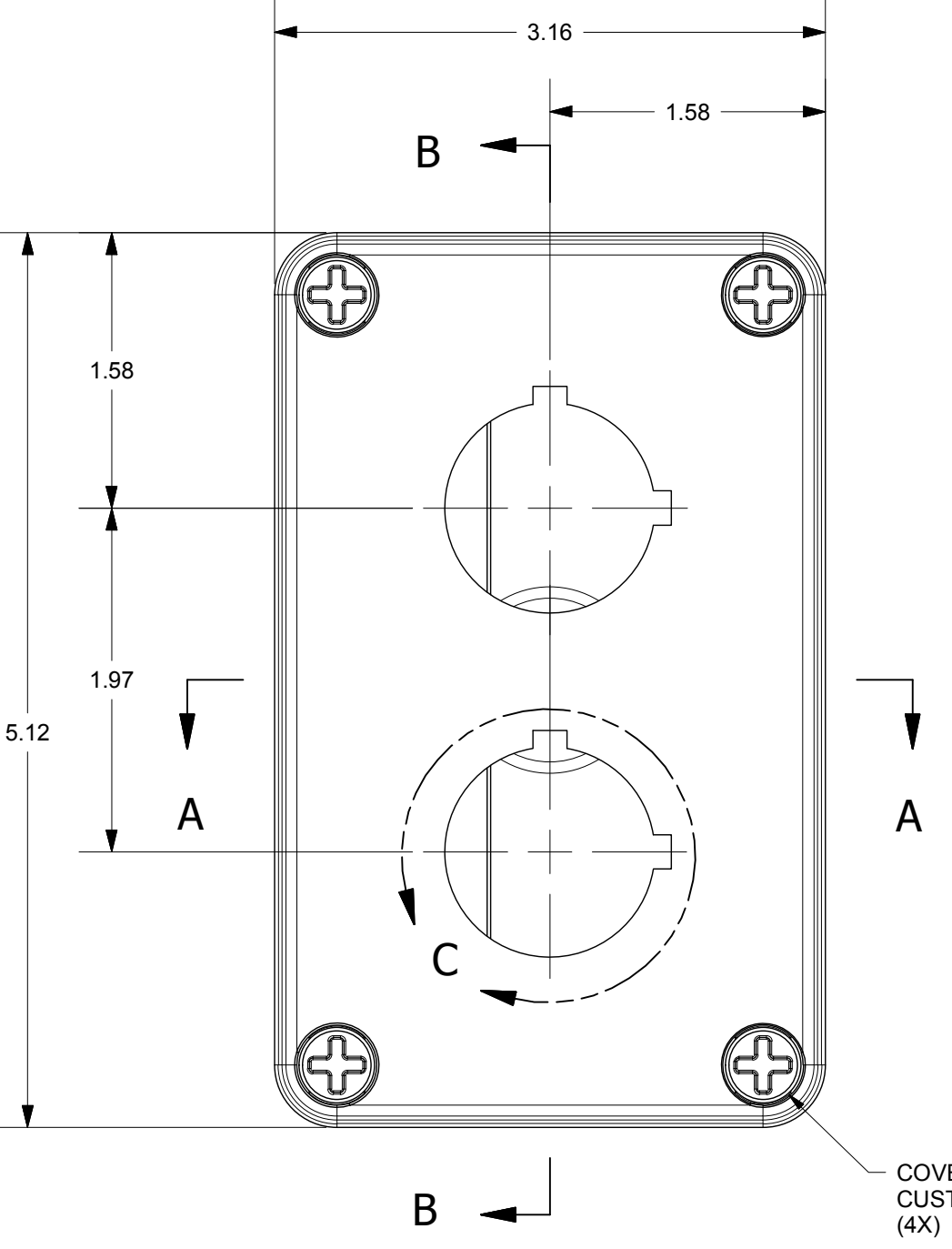
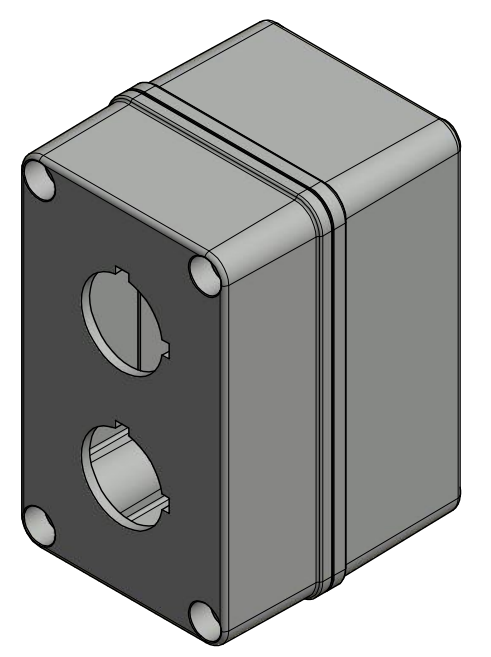


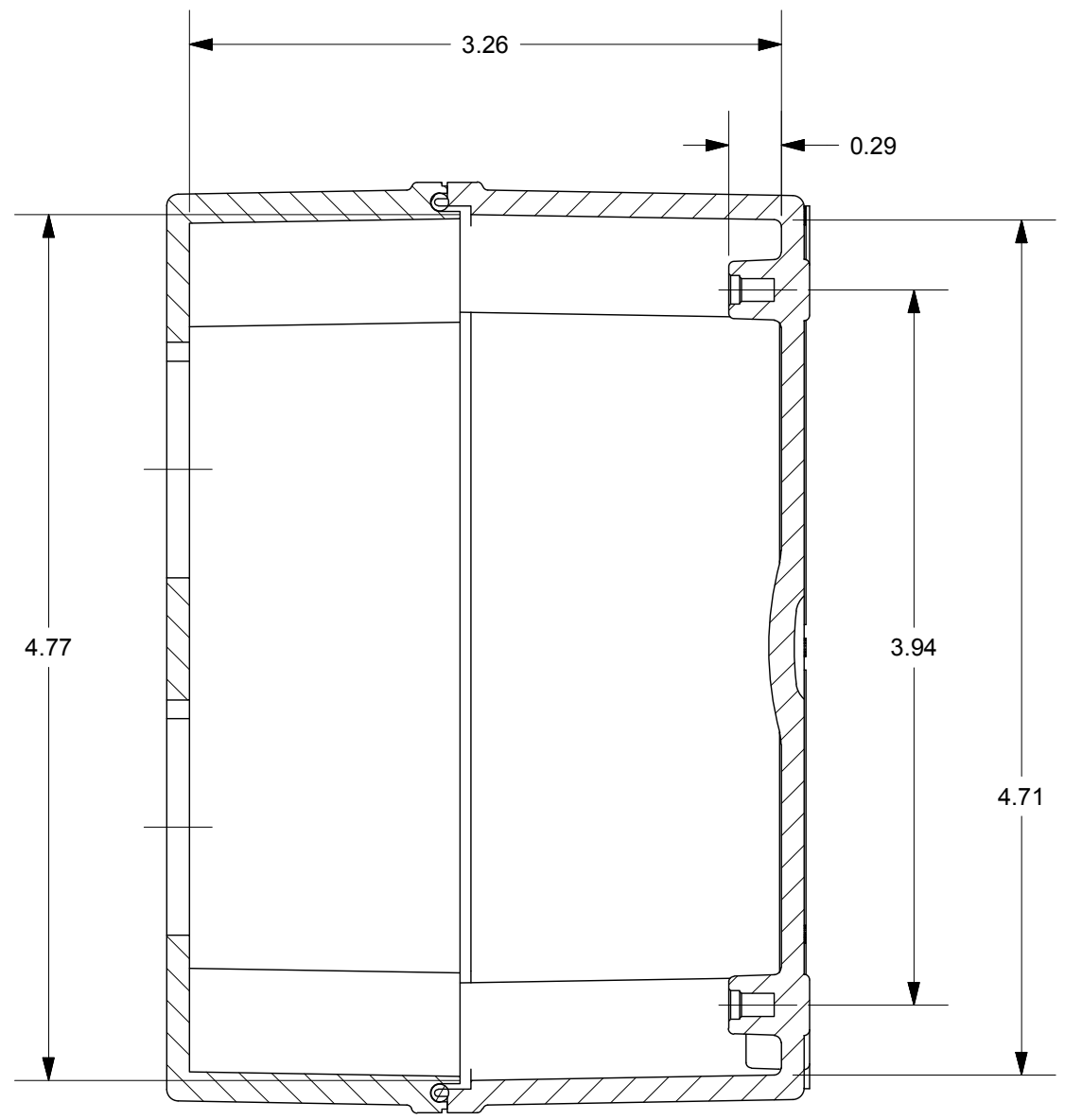
DETAIL C  
(2X)



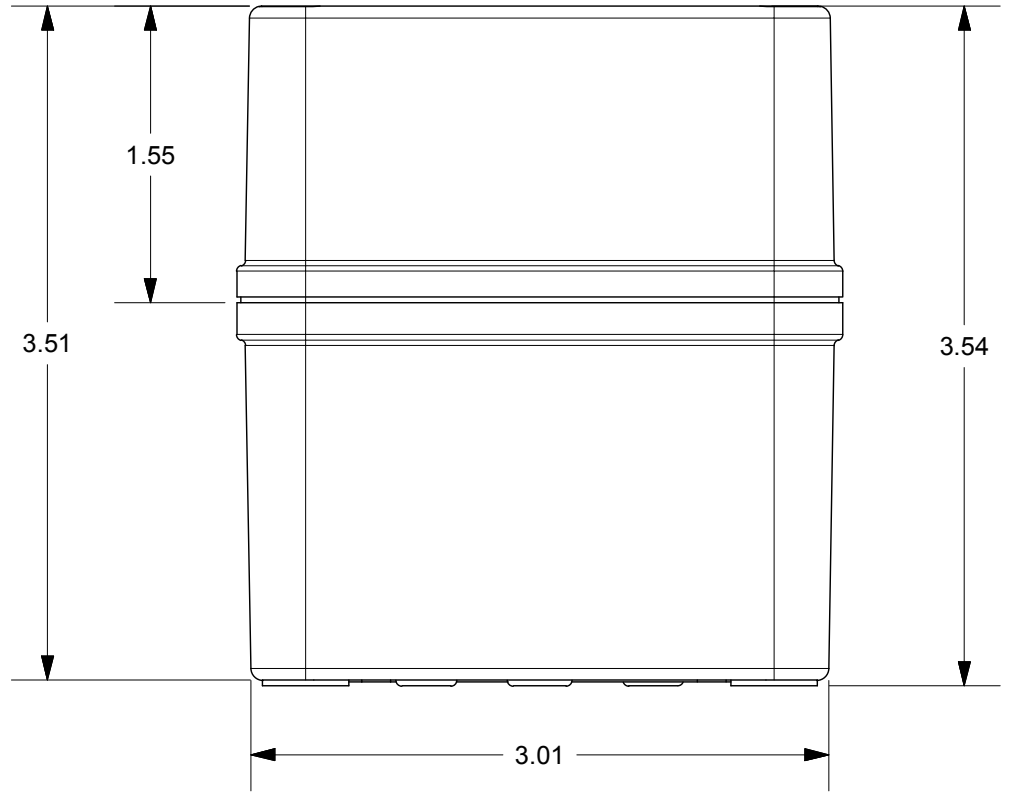
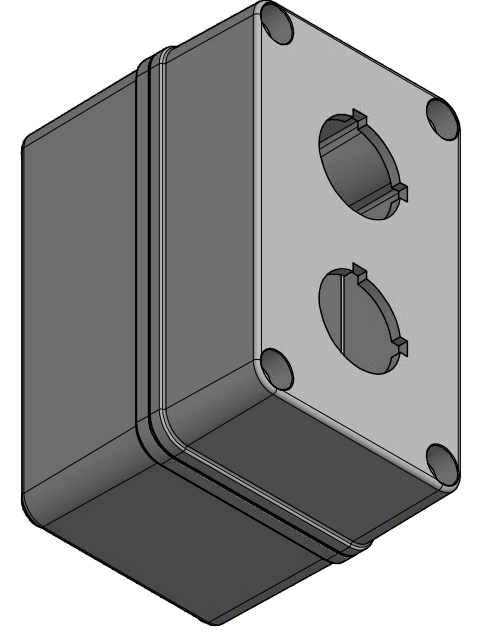
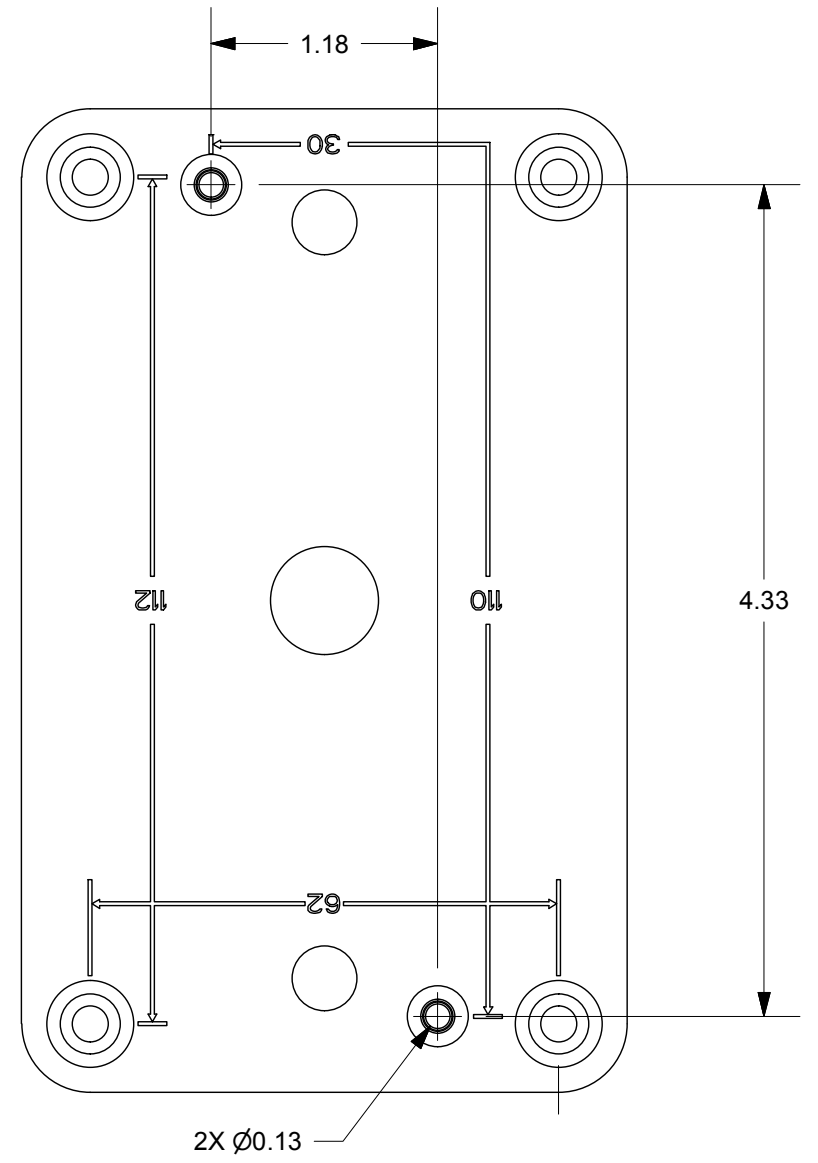
SECTION A-A



COVER SCREW  
CUSTOM POLYCARBONATE  
(4X)



SECTION B-B



END USER NOTES:  
1. TORQUE COVER SCREWS TO 16 IN.-LBS. TO MAINTAIN RATINGS

THIS DRAWING IS THE SOLE AND EXCLUSIVE PROPERTY OF ROBROY ENCLOSURES. NO PART OF THIS DRAWING MAY BE REPRODUCED, DISTRIBUTED, OR PUBLICALLY DISPLAYED IN ANY FORM OR BY ANY MEANS WITHOUT THE EXPRESS WRITTEN PERMISSION OF ROBROY ENCLOSURES. ALL RIGHTS RESERVED. UNDER THE COPYRIGHT LAWS. COPYRIGHT © 2017 ROBROY ENCLOSURES.

**SPECIAL REQUIREMENTS**

NEMA 250: TYPE 1, 3R, 4X, 6P, 12 IEC 60529: IP66, IP68		STANDARD P/N: COPC2PB	ALL DIMENSIONS ARE IN INCHES UNLESS OTHERWISE SPECIFIED		TOLERANCES UNLESS SPECIFIED	.XX ± 0.03	.XXX ± 0.010
COLOR: N/A COLOR STANDARD: PANTONE 7541 C		CUSTOMER DWG:					
MATERIAL: POLYCARBONATE							
REVISION HISTORY							
REV	DESCRIPTION	DATE	ENG				
-	-	-	-				
-	-	-	-				
-	-	-	-				
-	-	-	-				
-	-	-	-				
DRAWN BY: E91		DATE: 05/19/17	CUSTOMER		DWG: COPC2PB		
SCALE: DO NOT SCALE		DESCRIPTION: STANDARD ENCLOSURE	PART NUMBER: ATCOPC2PB				

Robroy Enclosures  
500 Maple Street  
Belding, Michigan 48809  
Phone: 616-794-0700  
Fax: 616-749-3378