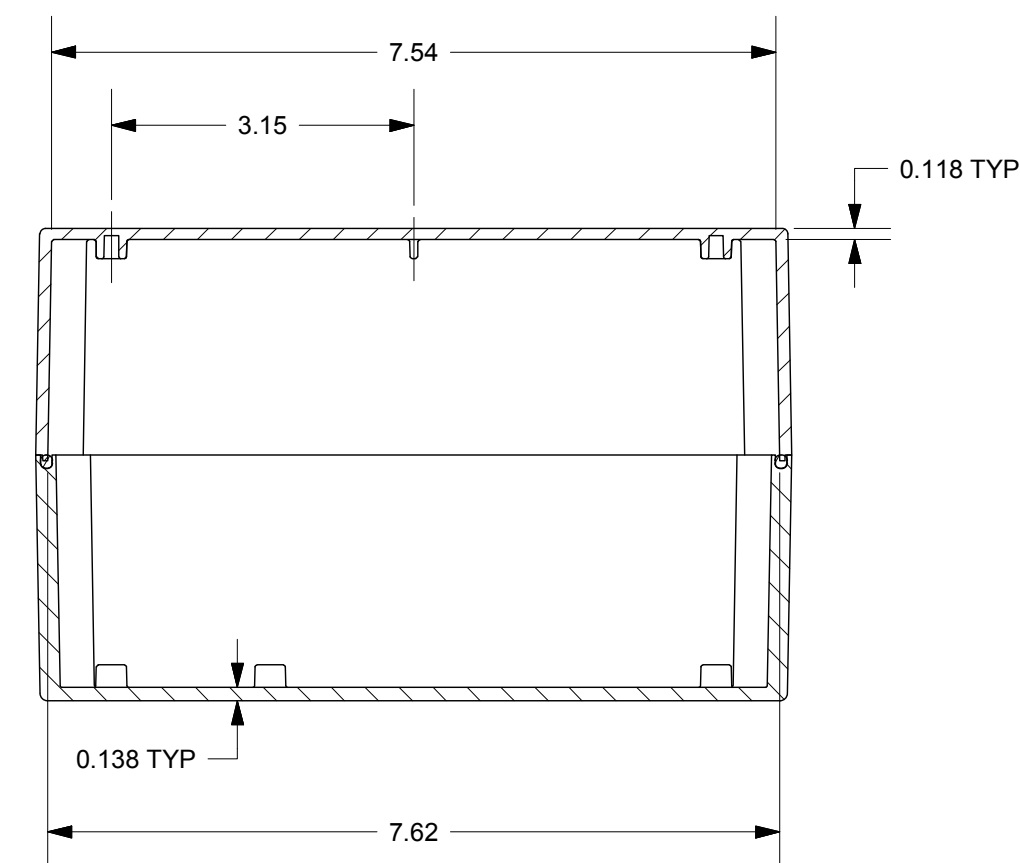
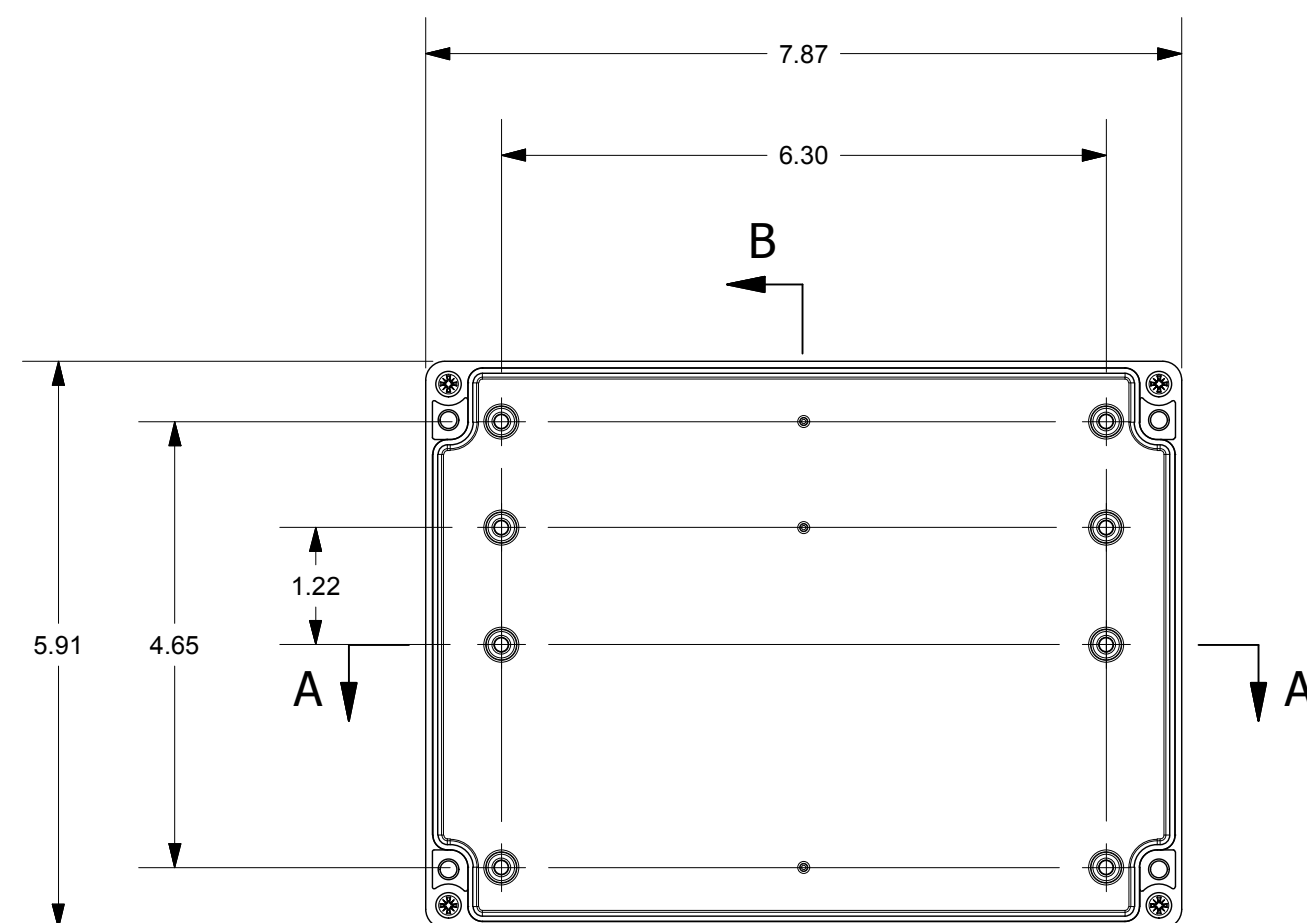


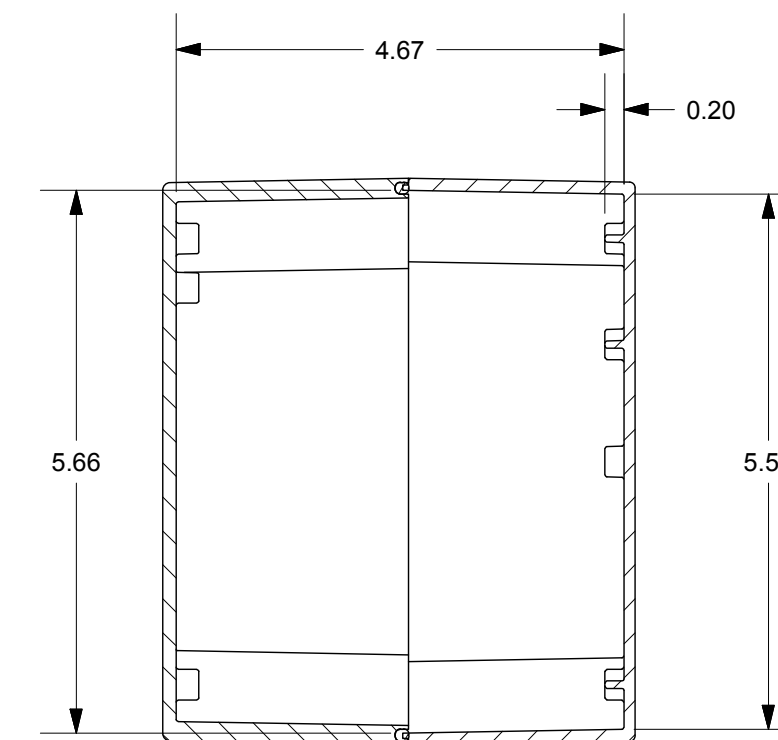
PRODUCT LABEL DETAIL



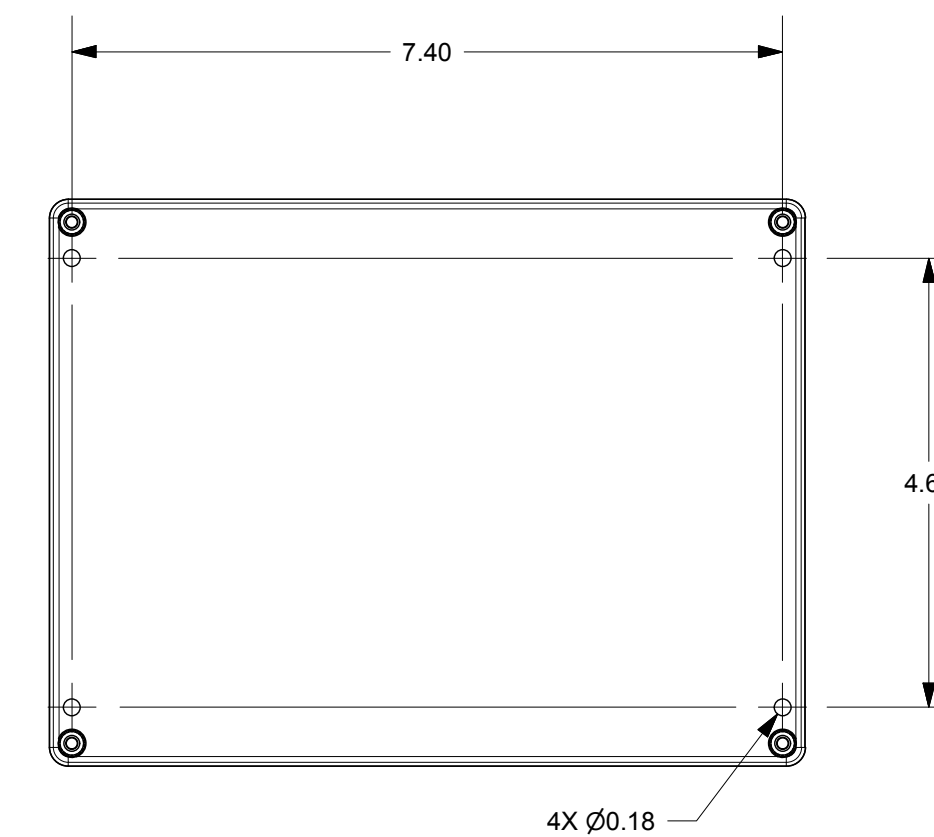
SECTION A-A



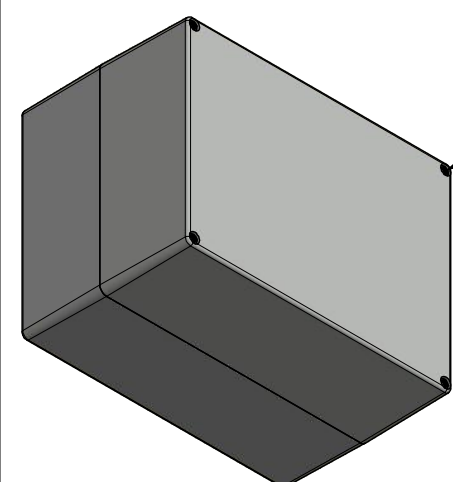
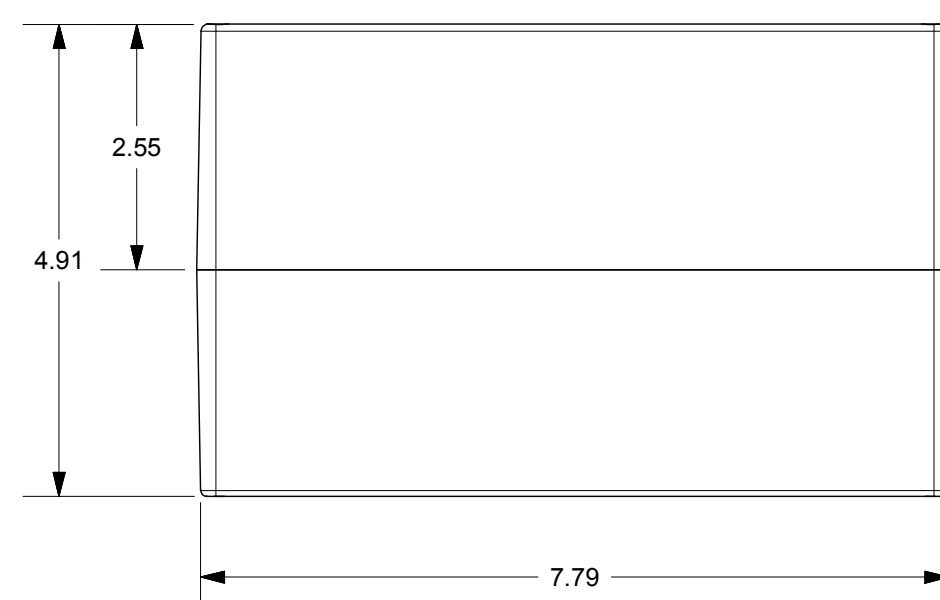
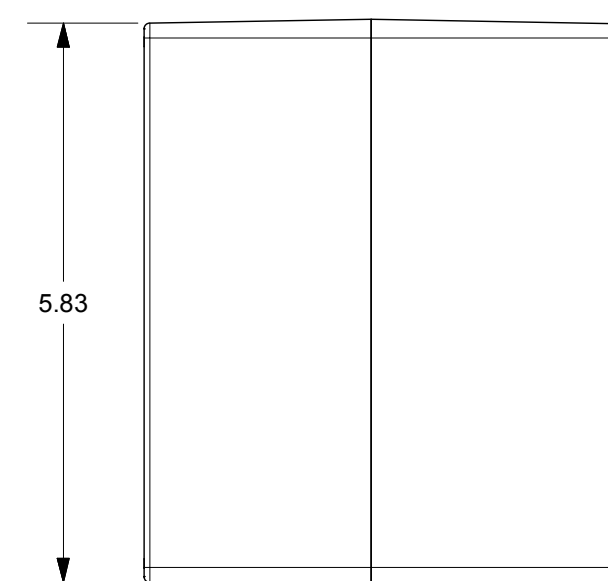
WITH COVER REMOVED



SECTION B-B



4X Ø0.18




COVER SCREW
M4 x 73 mm
(4X)

END USER NOTES:
1. TORQUE COVER SCREWS TO 9-17 IN.-LBS. TO MAINTAIN RATINGS

THIS DRAWING IS THE SOLE AND EXCLUSIVE PROPERTY OF ROBROY ENCLOSURES. NO PART OF THIS DRAWING MAY BE REPRODUCED, DISTRIBUTED, OR PUBLICALLY DISPLAYED IN ANY FORM OR BY ANY MEANS WITHOUT THE EXPRESS WRITTEN PERMISSION OF ROBROY ENCLOSURES. ALL RIGHTS RESERVED. UNDER THE COPYRIGHT LAWS. COPYRIGHT © 2017 ROBROY ENCLOSURES

SPECIAL REQUIREMENTS

| | | | | |
|---|-------------|--|---|---|
| NEMA 250: TYPE 1, 3R, 4, 4X, 12 IEC 60529: IP66 COLOR: LIGHT GREY COLOR STANDARD: RAL 7035 | | STANDARD P/N: BB201513W CUSTOMER DWG: | ALL DIMENSIONS ARE IN INCHES UNLESS OTHERWISE SPECIFIED | TOLERANCES UNLESS SPECIFIED .XX ± 0.03 .XXX ± 0.010 |
| MATERIAL: POLYCARBONATE | |  <p>Robroy Enclosures 500 Maple Street Belding, Michigan 48809 Phone: 616-794-0700 Fax: 616-749-3378</p> | | |
| REVISION HISTORY | | | | |
| REV | DESCRIPTION | DATE | ENG | |
| - | - | - | - | |
| - | - | - | - | |
| - | - | - | - | |
| - | - | - | - | |
| - | - | - | - | |
| DRAWN BY: E91 | | DATE: 04/17/17 | CUSTOMER | |
| SCALE: DO NOT SCALE | | DESCRIPTION: STANDARD ENCLOSURE | PART NUMBER: ATBB201513W | DWG: BB201513W |