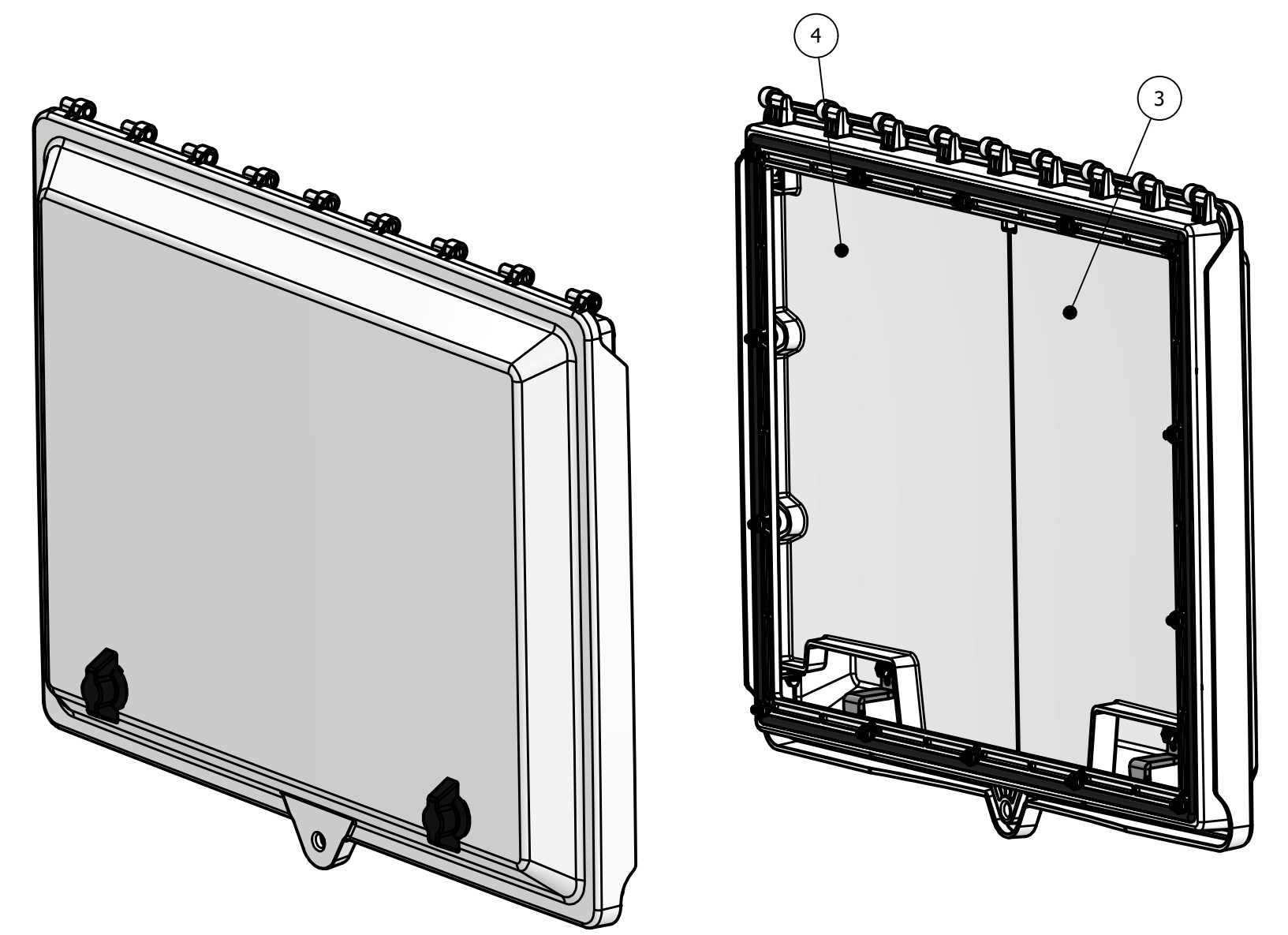


PART LIST				
POS. NO	DESCRIPTION	QUANTITY	MATERIAL	COLOR
1	BASE	1	POLYCARBONATE	PANTONE 428 C
2	OPAQUE COVER	1	POLYCARBONATE	PANTONE 428 C
3	INNER DOOR (LH)	1	POLYCARBONATE	PANTONE 428 C
4	INNER DOOR (RH)	1	POLYCARBONATE	PANTONE 428 C
5	WING KNOB QUARTER TURN LOCK	2	ZINC POWDER COATED	
6	HARDWARE KIT	1	STAINLESS STEEL	



THE INFORMATION CONTAINED IN THIS DRAWING IS THE SOLE PROPERTY OF ROBROY INDUSTRIES. ANY REPRODUCTION IN PART OR WHOLE WITHOUT THE WRITTEN PERMISSION OF ROBROY INDUSTRIES IS PROHIBITED. ALL RIGHTS RESERVED UNDER THE COPYRIGHT LAWS. COPYRIGHT © 2024 ROBROY INDUSTRIES. ROBROY INDUSTRIES VALUES AND PROTECTS ITS INTELLECTUAL PROPERTY. FOR MORE INFORMATION VISIT www.robroy.com/patents

SPECIAL REQUIREMENTS

HARDWARE KIT PARTS IN SEALED POUCH

- # 10-32 x 3/4 SS 304 PHILIP DRIVE PAN HEAD SCREWS - 14 Nos. (ALT)
- M5 X 3/4 SS 304 SLOTTED CHEESE HEAD SCREW - 14 Nos.
- SS WASHERS - 28 Nos.
- SS 304 #10-32 NUT (ALT) M5 NUT - 14 Nos.
- INSTRUCTION SHEET - 1 No.
- DRILL TEMPLATE - 1 No.

NEMA 250 TYPE	4X	IEC 60020	STANDARD PIN
COLOR		COLOR STANDARD	CUSTOMER DWG.
MATERIAL	POLYCARBONATE LEXAN 943A		
REVISION HISTORY			
REV	DESCRIPTION	DATE	ENG

ALL DIMENSIONS ARE IN INCHES UNLESS OTHERWISE SPECIFIED

TOLERANCES .XX .XXX +0.03 +0.010 UNLESS SPECIFIED

AttaBox
A ROBROY Brand

Robroy Enclosures
500 Maple Street
Bellevue, Michigan 48809
Phone: 616-794-0700
Fax: 616-749-3378

DRAWN BY: DEVI DATE: 6/19/2023 CUSTOMER: HMI OPAQUE COVER 2014 DRAWING: HMICVR2014

SCALE: DO NOT SCALE DESCRIPTION: HMI OPAQUE COVER 2014 PART NUMBER: ATHMICVR2014