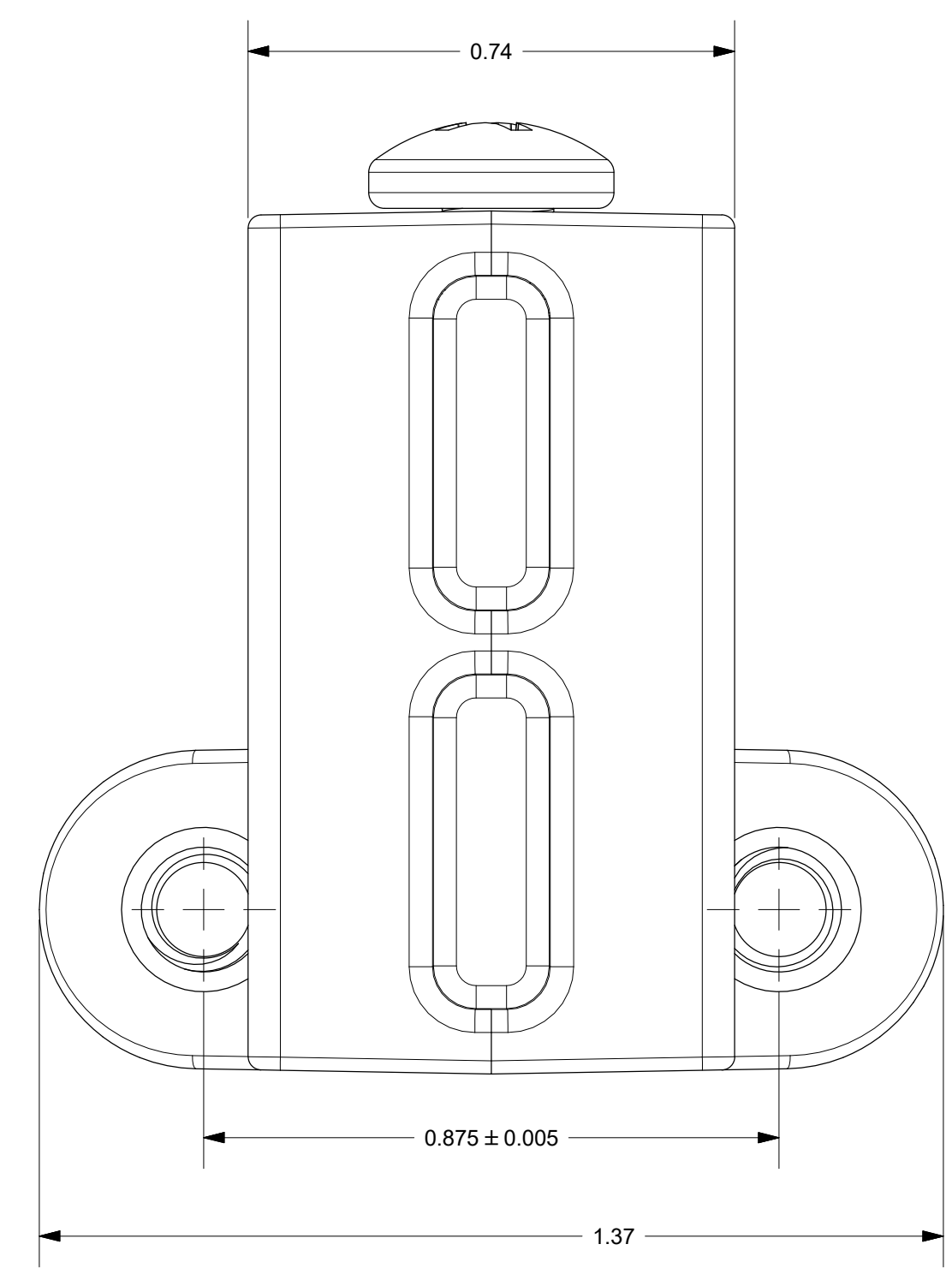
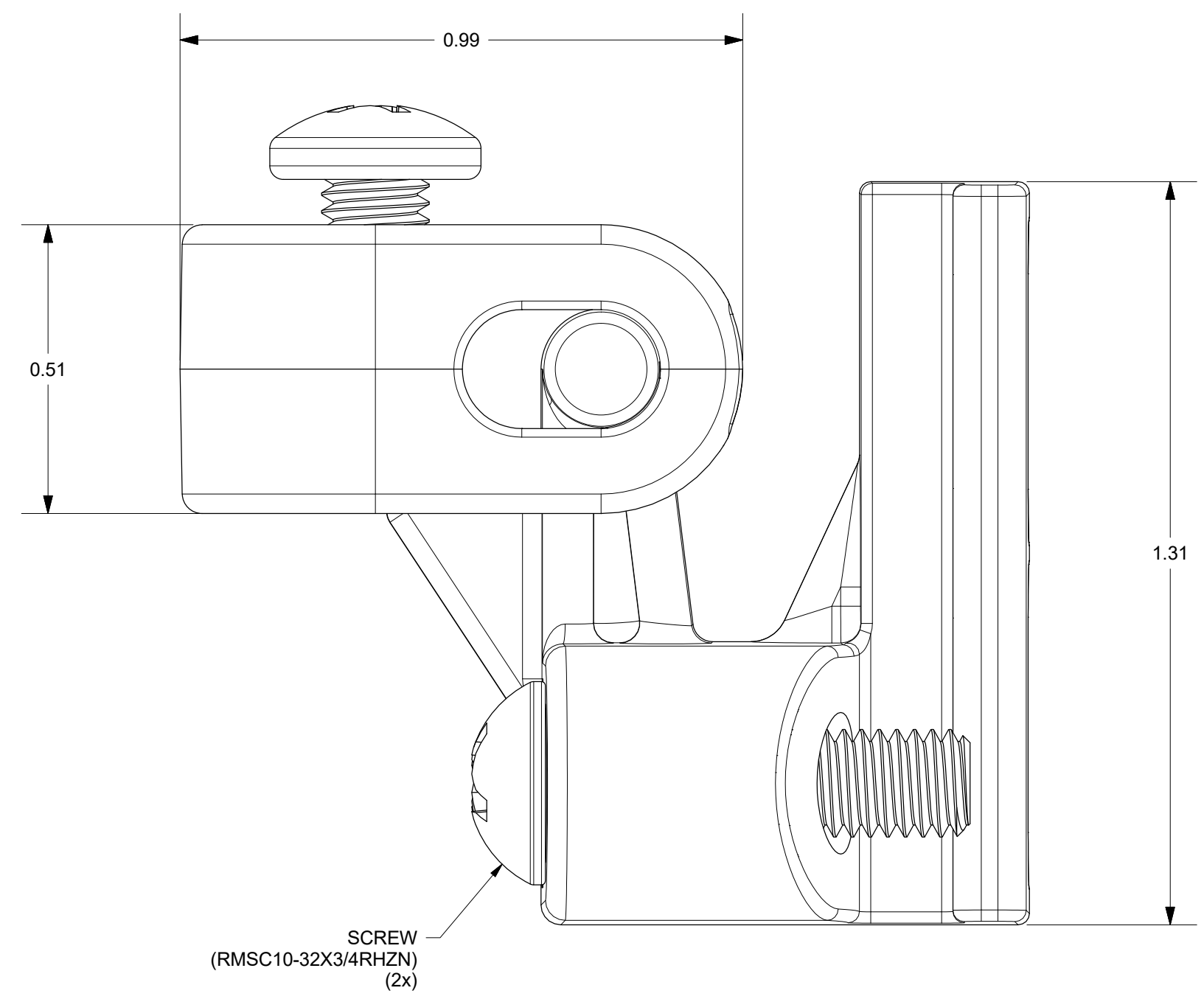
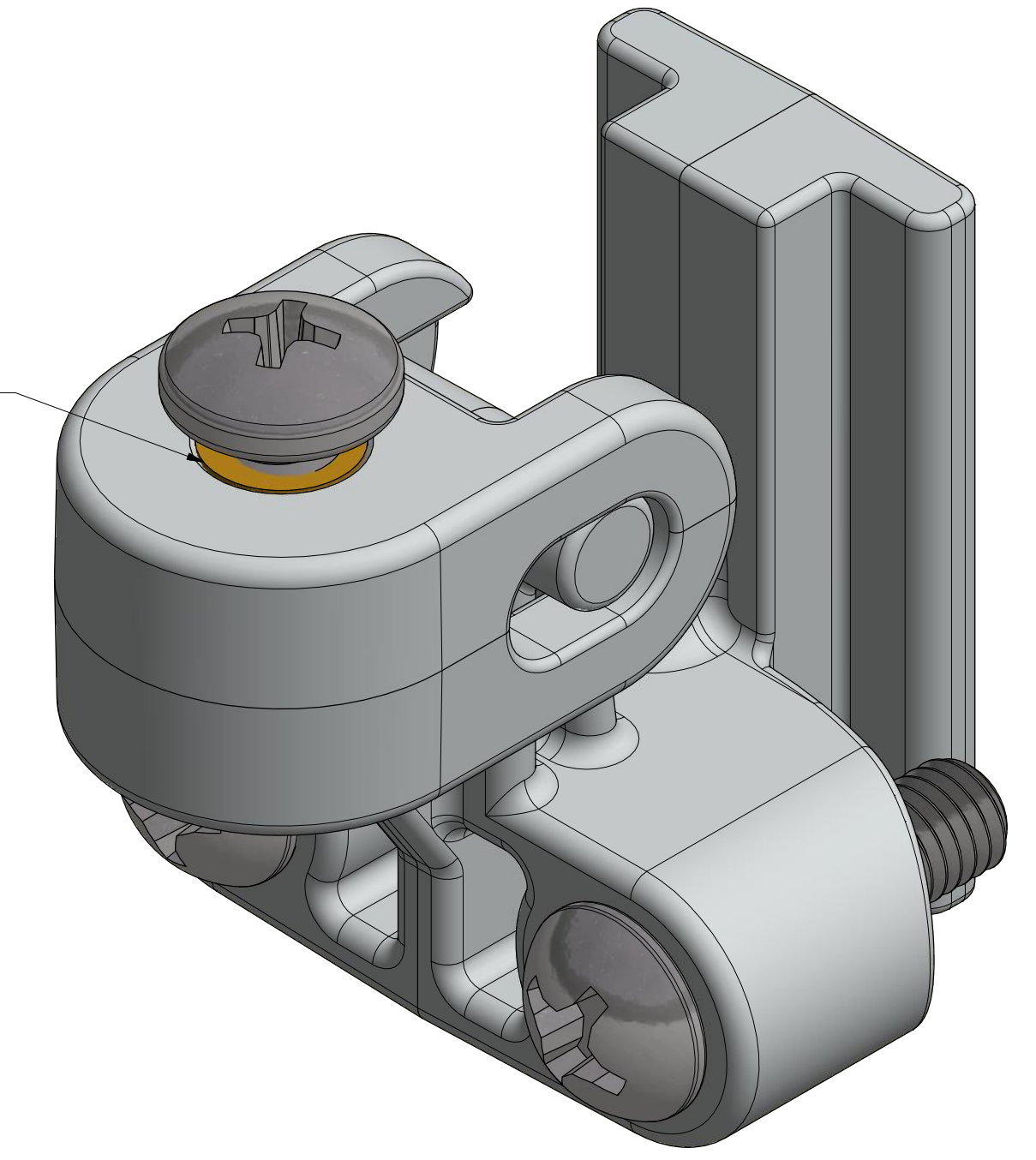


#10-32 BRASS INSERT (3x)


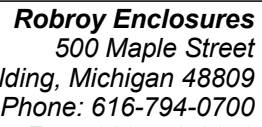


THIS DRAWING IS THE SOLE AND EXCLUSIVE PROPERTY OF ROBROY ENCLOSURES. NO PART OF THIS DRAWING MAY BE REPRODUCED, DISTRIBUTED, OR PUBLICALLY DISPLAYED IN ANY FORM OR BY ANY MEANS WITHOUT THE EXPRESS WRITTEN PERMISSION OF ROBROY ENCLOSURES. ALL RIGHTS RESERVED. UNDER THE COPYRIGHT LAWS. COPYRIGHT © 2016 ROBROY ENCLOSURES

- ASSEMBLY:**
 1. SWING PANEL MOUNT KIT INCLUDES THE FOLLOWING:
 -(4) SWING PANEL MOUNTS (RMAHSPM-001)
 -(4) #10-32 x 3/8 SCREW (RMSC10/32X3/8ZN)
 -(8) #10-32 x 3/4 SCREWS (RMSC10-32X3/4RHZN)
 -(1) 4 x 6 ZIP-LOCK BAG (RM4X6BAGZL)

SPECIAL REQUIREMENTS

NEMA 250: TYPE	N/A	STANDARD P/N:	AHSPM
IEC 60529:	N/A	CUSTOMER DWG:	
COLOR:	N/A		
COLOR STANDARD:	PANTONE 7541 C		
MATERIAL: POLYCARBONATE			
REVISION HISTORY			
REV	DESCRIPTION	DATE	ENG
-	-	-	-
-	-	-	-
-	-	-	-
-	-	-	-

ALL DIMENSIONS ARE IN INCHES UNLESS OTHERWISE SPECIFIED		TOLERANCES UNLESS SPECIFIED		.XX ± 0.03	.XXX ± 0.010
				Robroy Enclosures 500 Maple Street Belding, Michigan 48809 Phone: 616-794-0700 Fax: 616-749-3378	
		DRAWN BY	DATE	CUSTOMER	DWG
DRH	08/01/16		AHSPM		
SCALE	DO NOT SCALE	DESCRIPTION	SWING PANEL MOUNT KIT	PART NUMBER	ATAHSPM