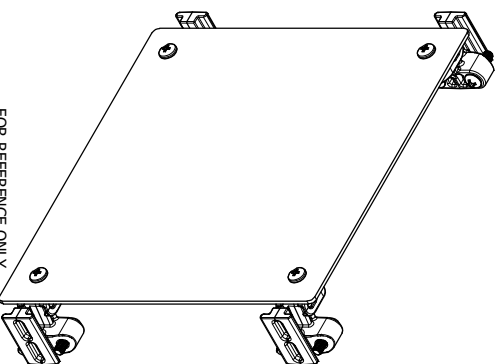


FOR REFERENCE ONLY
SWING PANEL MOUNTS SHOWN AS INSTALLED



- NOTES:**
1. PANEL SHALL BE FREE FROM BURRS & SHARP EDGES
 2. SWING PANEL SHALL BE FINISHED
 3. MISALIGNED EDGES EXCEEDING 0.005" (STEPS) SHALL NOT BE PERMITTED
 4. ALL EDGES SHALL BE SQUARE AND PARALLEL
 5. PANEL SHALL HAVE CLEAR PVC FILM ON ONE SIDE
 6. ALL DIMENSIONS SHALL BE TO CENTER UNLESS OTHERWISE SPECIFIED
 7. ALL 1300F SIZE PANELS AND ABOVE SHALL BE PACKAGED IN AN ENVELOPE WITH NO METAL CLASP

THIS DRAWING IS THE SOLE PROPERTY OF ROYAL ENCLAVE AND IS TO BE USED ONLY FOR THE PROJECT AND LOCATION SPECIFICALLY IDENTIFIED HEREIN. IT IS TO BE KEPT IN CONFIDENCE AND NOT REPRODUCED OR TRANSMITTED IN ANY FORM OR BY ANY MEANS, ELECTRONIC OR MECHANICAL, INCLUDING PHOTOCOPYING, RECORDING, OR BY ANY INFORMATION STORAGE AND RETRIEVAL SYSTEM. ANY UNAUTHORIZED USE OF THIS DRAWING IS STRICTLY PROHIBITED.

SPECIAL REQUIREMENTS		STANDARD DIM.		TOLERANCES	
REVISION	DESCRIPTION	DATE	ENG.	UNLESS OTHERWISE SPECIFIED	UNLESS SPECIFIED
1	INITIALS			±0.010	±0.010
2	DATE			±0.020	±0.020
3	SCALE			±0.030	±0.030
4	DO NOT SCALE			±0.040	±0.040
5	STANDARD			±0.050	±0.050
6	SWING PANEL KIT			±0.060	±0.060
7	AT488SPK			±0.070	±0.070

MATERIAL: 3003-H14 ALUMINUM		PART NUMBER: AT488SPK	
DESCRIPTION: SWING PANEL KIT		CUSTOMER: ROYAL ENCLAVE	
DATE: 08/21/16		SCALE: STANDARD	
DRAWN BY: [Signature]		CHECKED BY: [Signature]	
DATE: 08/21/16		DATE: 08/21/16	
SCALE: STANDARD		SCALE: STANDARD	
DO NOT SCALE		DO NOT SCALE	
STANDARD: STANDARD		STANDARD: STANDARD	
SWING PANEL KIT		SWING PANEL KIT	
AT488SPK		AT488SPK	