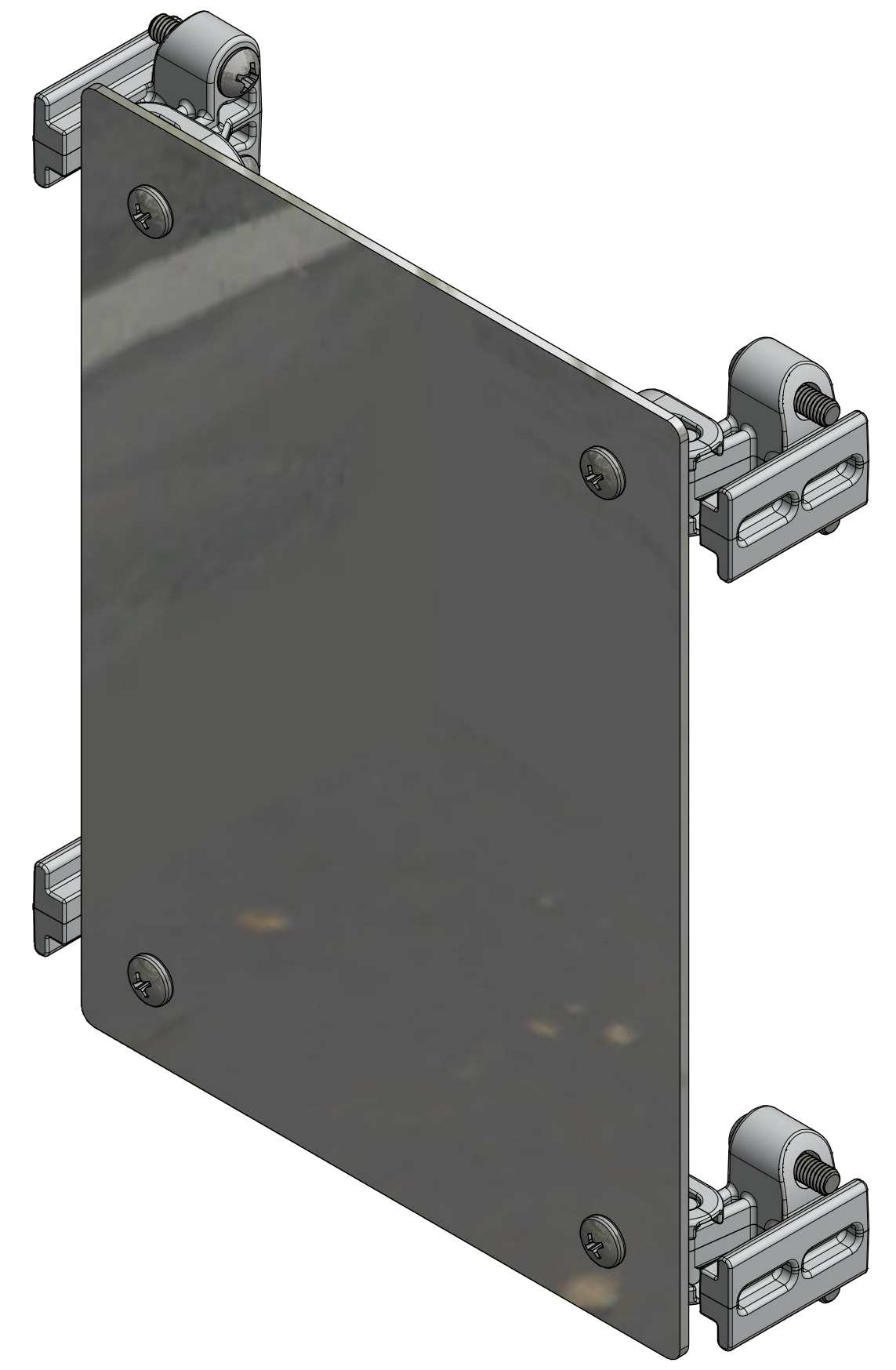


0.08
(12 GAUGE)



FOR REFERENCE ONLY
SWING PANEL MOUNTS SHOWN AS INSTALLED

NOTES:

1. PANEL SHALL BE FREE FROM BURRS & SHARP EDGES
2. PANEL SHALL BE FLAT
3. MISALIGNED EDGES EXCEEDING 0.005" (STEPS) SHALL NOT BE PERMITTED
4. ALL EDGES SHALL BE SQUARE AND PARALLEL
5. PANEL SHALL HAVE CLEAR PVC FILM ON ONE SIDE
6. ALL "2424" SIZE PANELS AND BELOW SHALL BE PACKAGED IN AN ENVELOPE WITH NO METAL (CLASP)
7. ALL "3020" SIZE PANELS AND ABOVE SHALL BE PACKAGED IN CARDBOARD WITH NO METAL (STAPLES)

ASSEMBLY:

1. SWING PANEL KIT INCLUDES THE FOLLOWING:
 - (1) ALUMINUM SWING PANEL (RMAH86SP)
 - (1) SWING PANEL MOUNT KIT (ATAHSPM)

SPECIAL REQUIREMENTS

NEMA 250: TYPE N/A IEC 60529: N/A		STANDARD P/N: AH86SPK	ALL DIMENSIONS ARE IN INCHES UNLESS OTHERWISE SPECIFIED		TOLERANCES UNLESS SPECIFIED	.XX ± 0.03	.XXX ± 0.010
COLOR: N/A COLOR STANDARD: N/A		CUSTOMER DWG:					
MATERIAL: 3003-H14 ALUMINUM							
REVISION HISTORY							
REV	DESCRIPTION	DATE	ENG				
-	-	-	-				
-	-	-	-				
-	-	-	-				
-	-	-	-				
-	-	-	-				
-	-	-	-				
DRAWN BY: DRH		DATE: 08/31/16	CUSTOMER:		DWG: AH86SPK		
SCALE: DO NOT SCALE		DESCRIPTION: STANDARD SWING PANEL KIT	PART NUMBER: ATAH86SPK				

THIS DRAWING IS THE SOLE AND EXCLUSIVE PROPERTY OF ROBROY ENCLOSURES. NO PART OF THIS DRAWING MAY BE REPRODUCED, DISTRIBUTED, OR PUBLICALLY DISPLAYED IN ANY FORM OR BY ANY MEANS WITHOUT THE EXPRESS WRITTEN PERMISSION OF ROBROY ENCLOSURES. ALL RIGHTS RESERVED. UNDER THE COPYRIGHT LAWS. COPYRIGHT © 2016 ROBROY ENCLOSURES.

ATTABOX
Robroy Enclosures
500 Maple Street
Belding, Michigan 48809
Phone: 616-794-0700
Fax: 616-749-3378