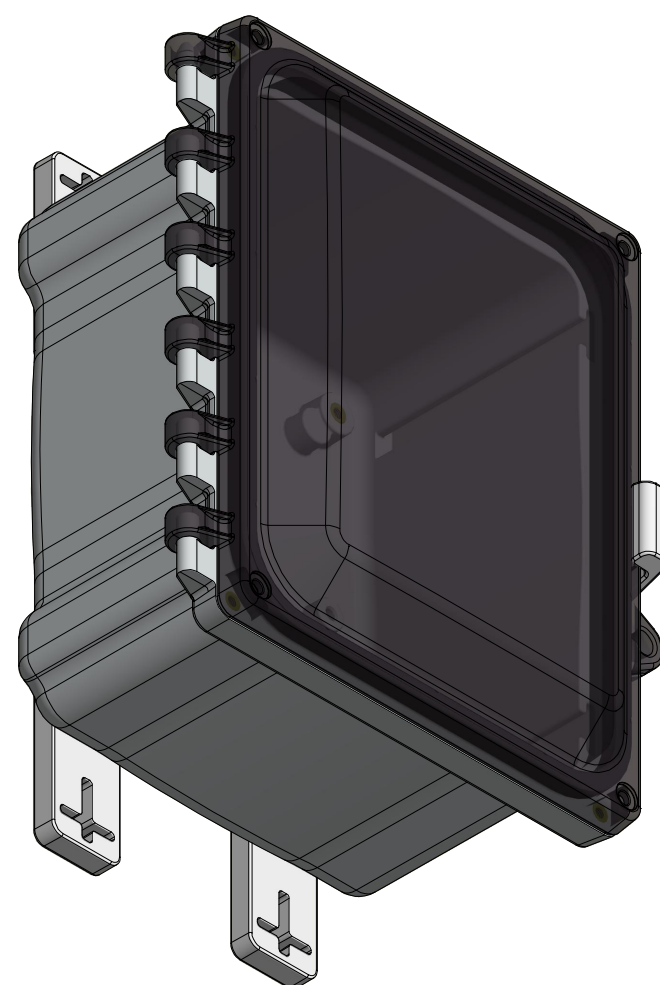
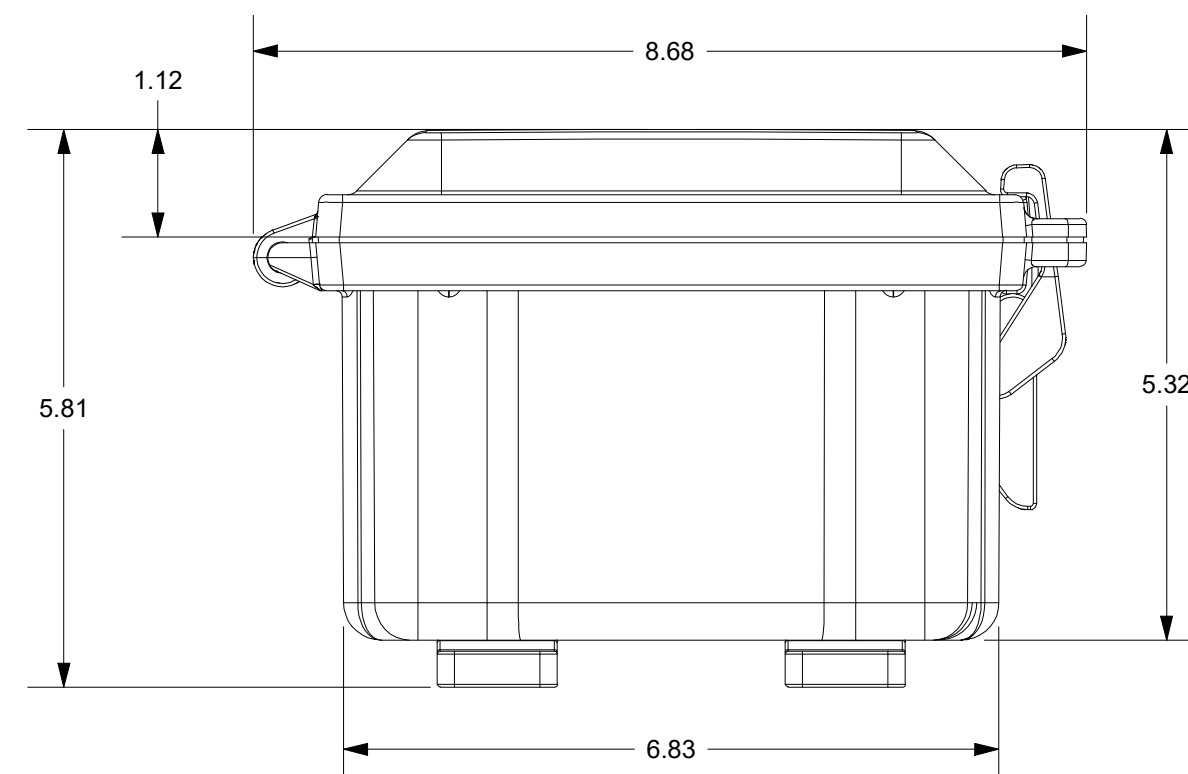
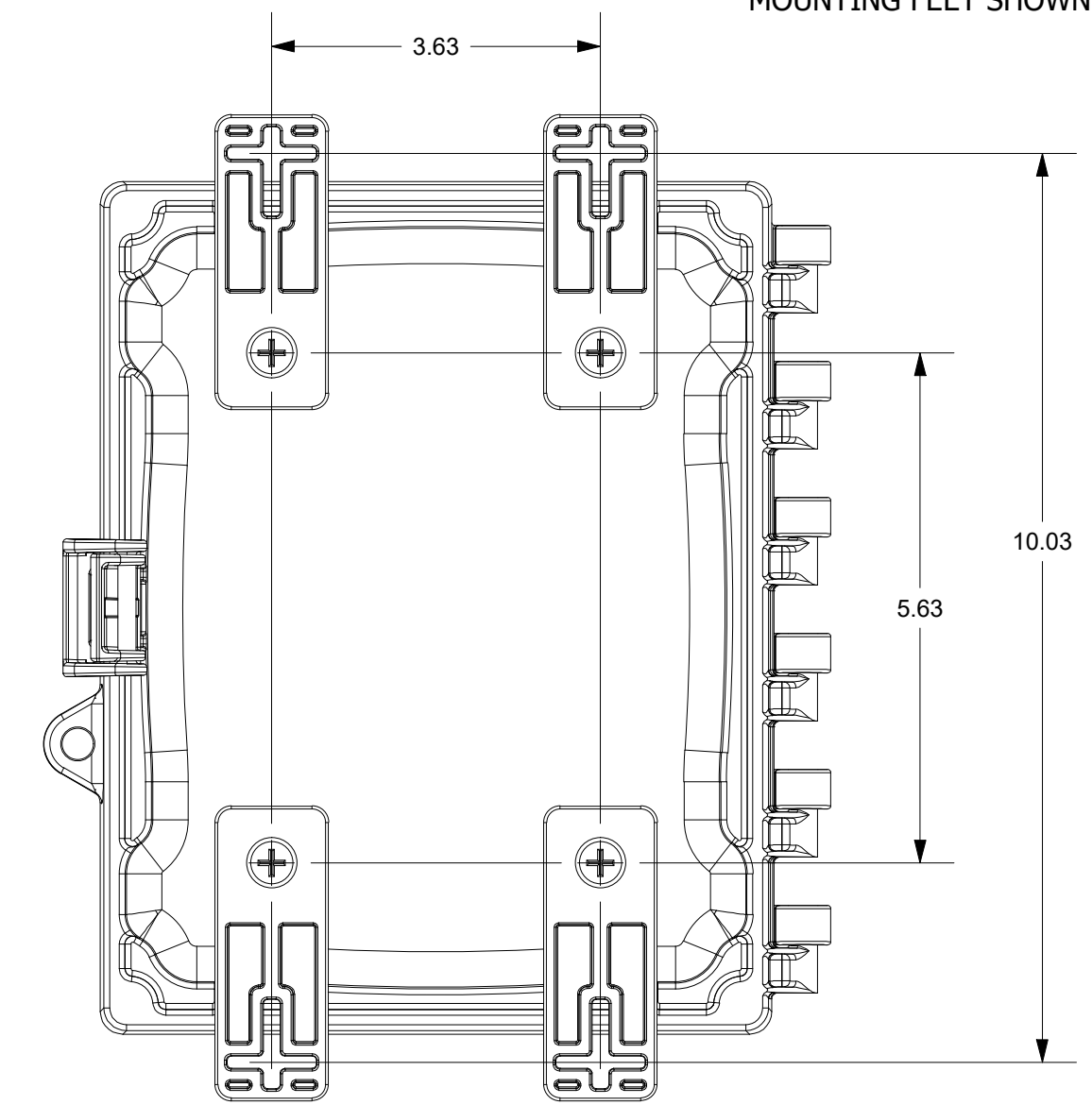
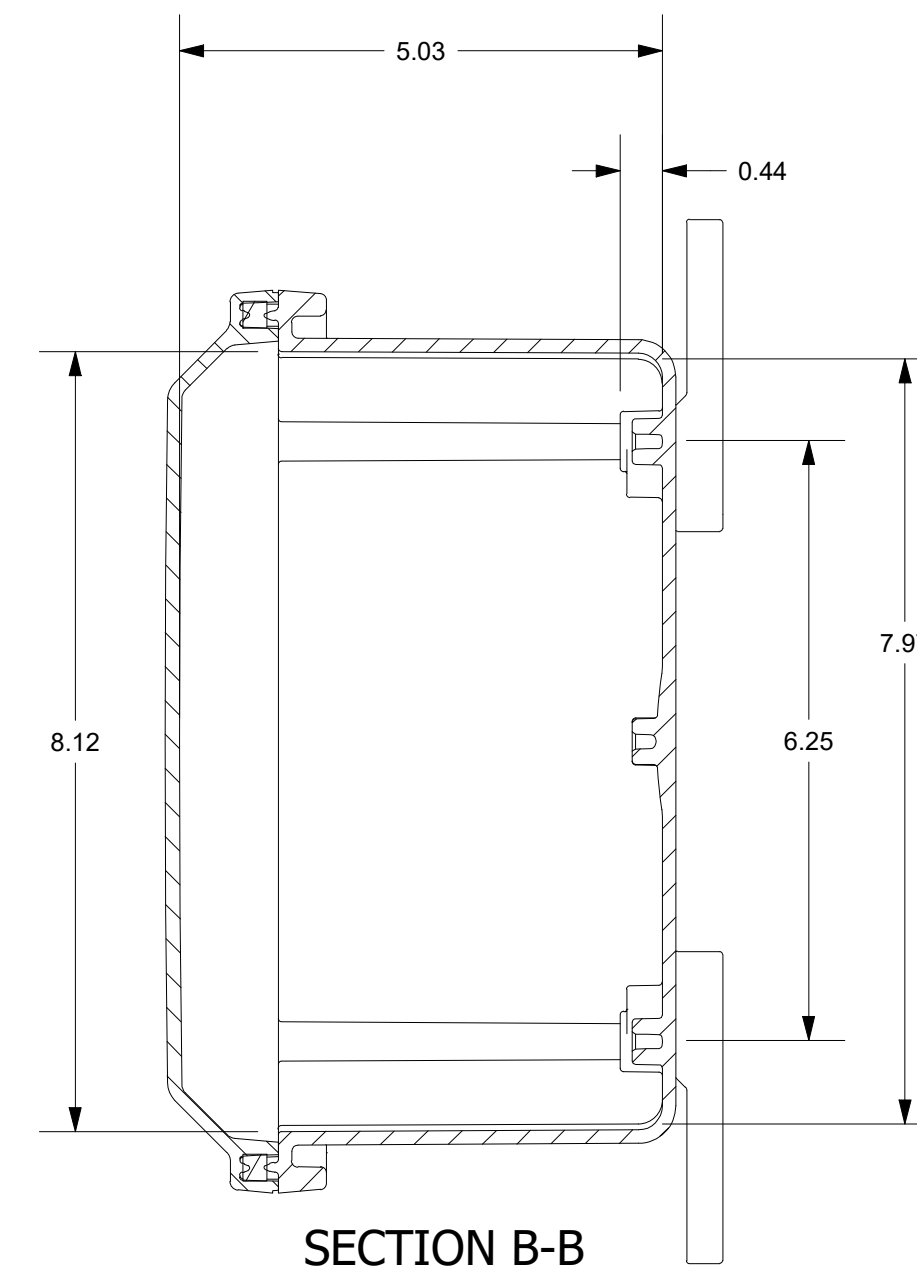
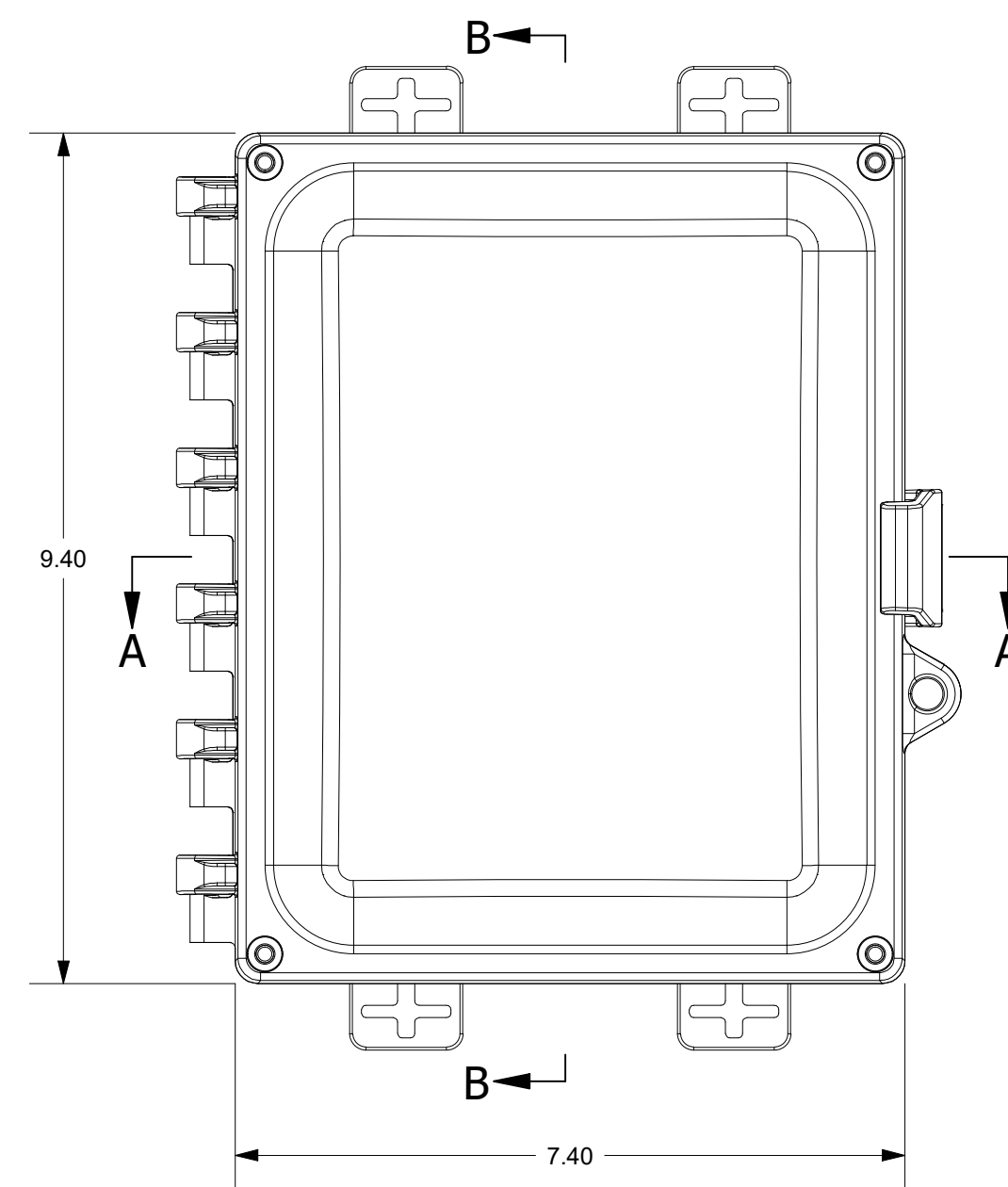
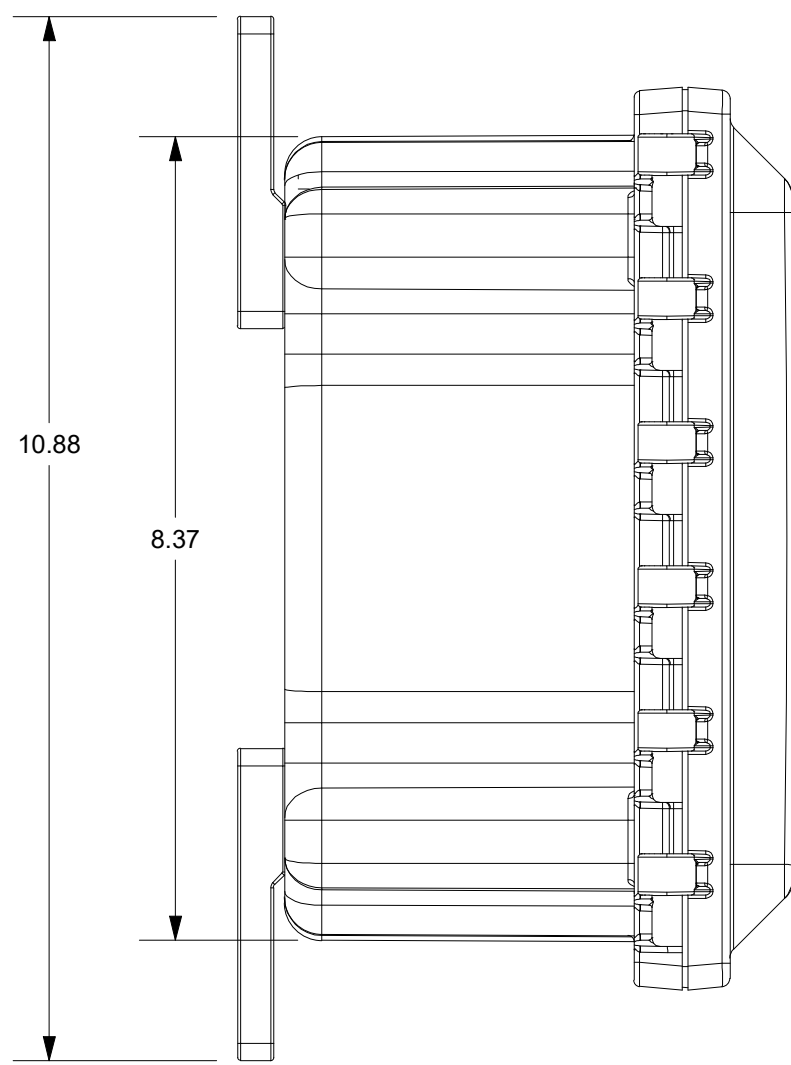


FOR REFERENCE ONLY  
MOUNTING FEET SHOWN AS INSTALLED



THIS DRAWING IS THE SOLE AND EXCLUSIVE PROPERTY OF ROBROY ENCLOSURES. NO PART OF THIS DRAWING MAY BE REPRODUCED, DISTRIBUTED, OR PUBLICALLY DISPLAYED IN ANY FORM OR BY ANY MEANS WITHOUT THE EXPRESS WRITTEN PERMISSION OF ROBROY ENCLOSURES. ALL RIGHTS RESERVED. UNDER THE COPYRIGHT LAWS. COPYRIGHT © 2016 ROBROY ENCLOSURES

- SPECIAL REQUIREMENTS**
- ASSEMBLY:
- (1) ACCESSORY KIT (WPPCACCKIT) SHALL BE PACKAGED LOOSELY INSIDE ENCLOSURE  
HARDWARE INCLUDED:  
 (-4) #14-20 x 1/2 FLAT HEAD PHILLIPS MACHINE SCREW (RMSC114.20X.5FLPH)  
 (-4) #10-32 x 5/8 PAN HEAD PHILLIPS MACHINE SCREW (RMSC10/32X5/8SS)  
 (-4) #10-32 x 3/8 PAN HEAD SCREW (RMSC10/32X3/8ZN)  
 (-4) #10 WASHER (RMMWAS10ZN)
  - (1) STYROFOAM SHEET SHALL BE PLACED ON TOP OF COVER INSIDE CARTON

NEMA 250: TYPE 1, 3R, 4, 4X, 12  
IEC 60529: IP66  
COLOR: N/A  
COLOR STANDARD: PANTONE 7541 C

STANDARD P/N: AH864C  
CUSTOMER DWG:

ALL DIMENSIONS ARE IN INCHES UNLESS OTHERWISE SPECIFIED  
TOLERANCES UNLESS SPECIFIED .XX ± 0.03 .XXX ± 0.010

REVISION HISTORY			
REV	DESCRIPTION	DATE	ENG
-	-	-	-
-	-	-	-
-	-	-	-
-	-	-	-
-	-	-	-
-	-	-	-
-	-	-	-



**Robroy Enclosures**  
500 Maple Street  
Belding, Michigan 48809  
Phone: 616-794-0700  
Fax: 616-749-3378

DRAWN BY: AJC	DATE: 10/22/16	CUSTOMER:	DWG: AH864C
SCALE: DO NOT SCALE	DESCRIPTION: STANDARD ENCLOSURE	PART NUMBER: ATAH864C	