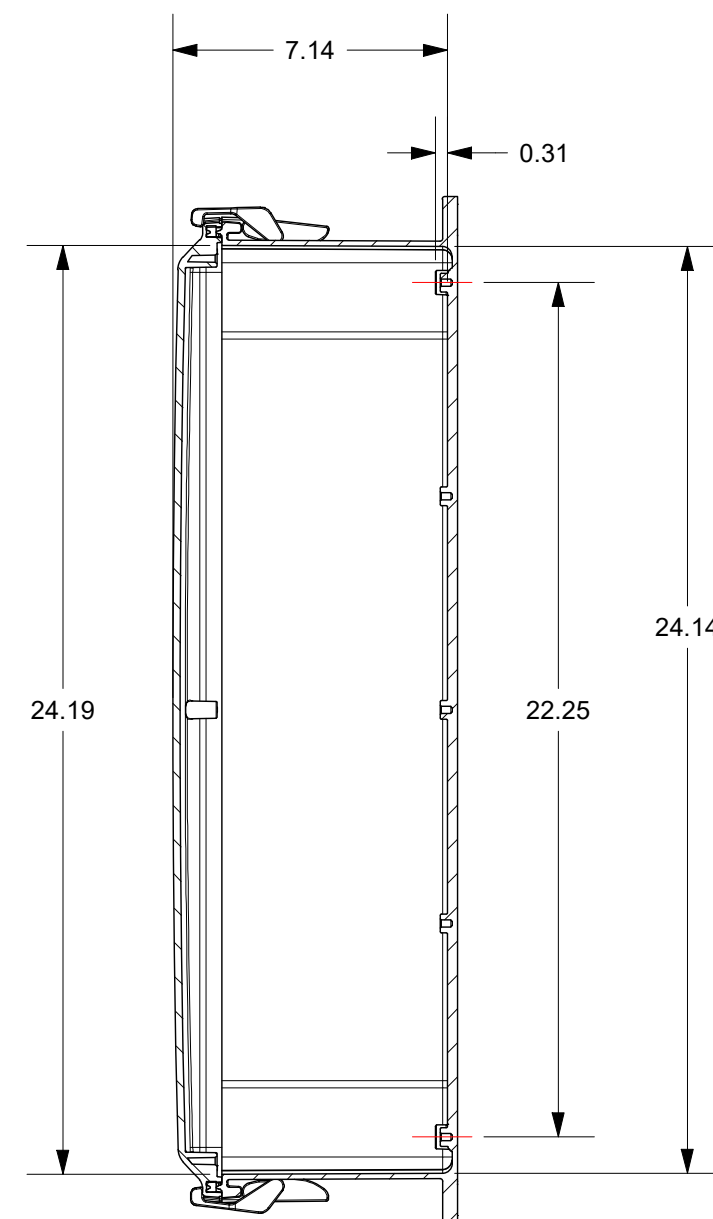
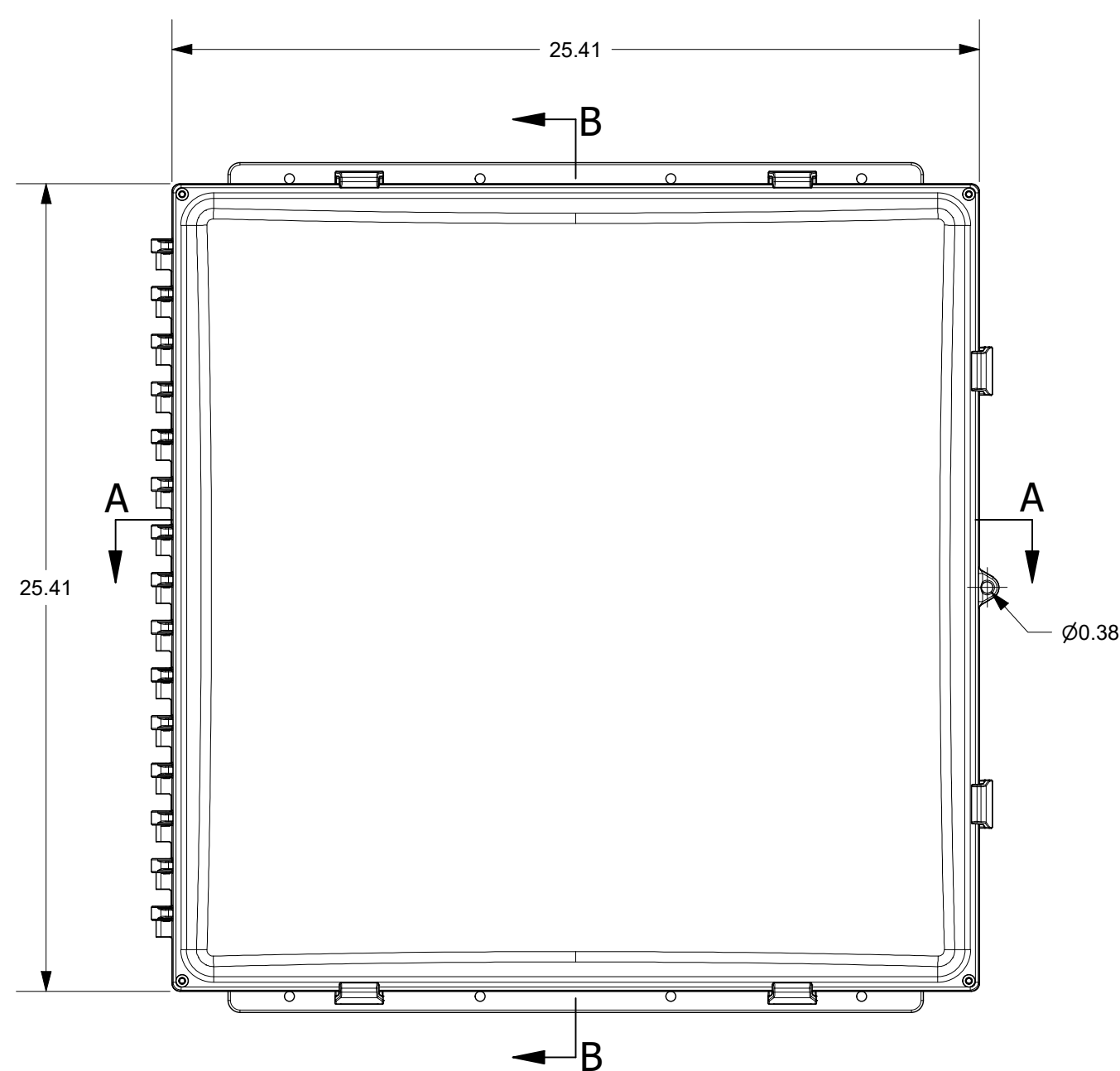
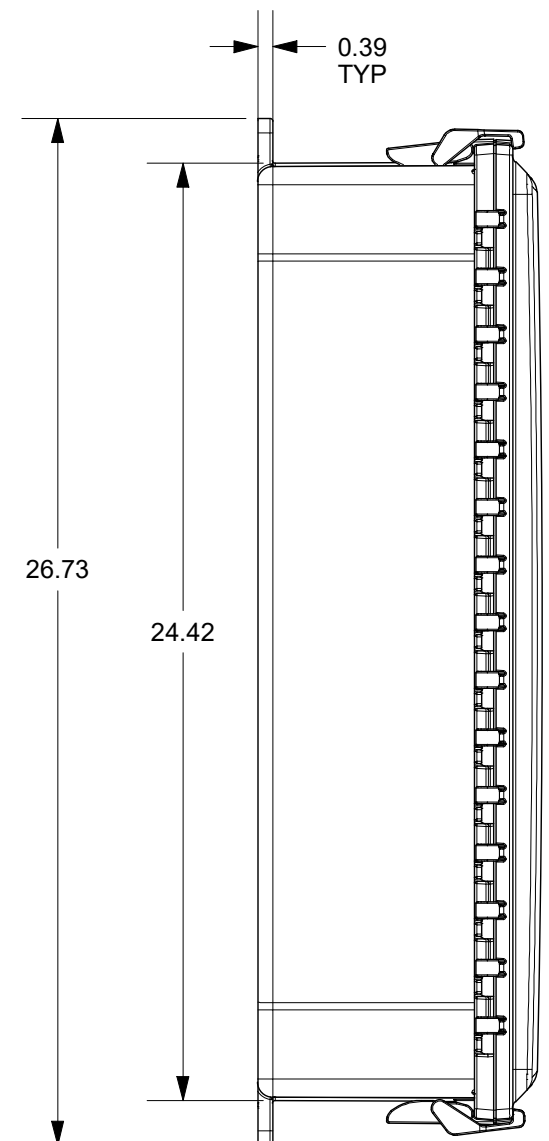
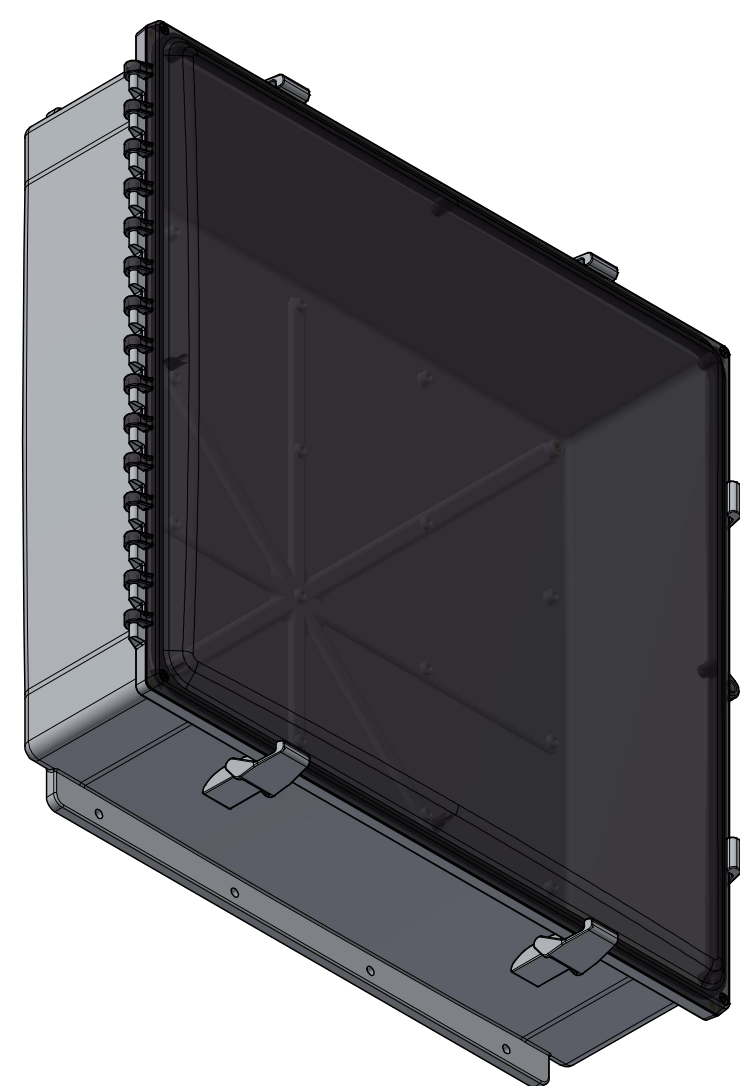
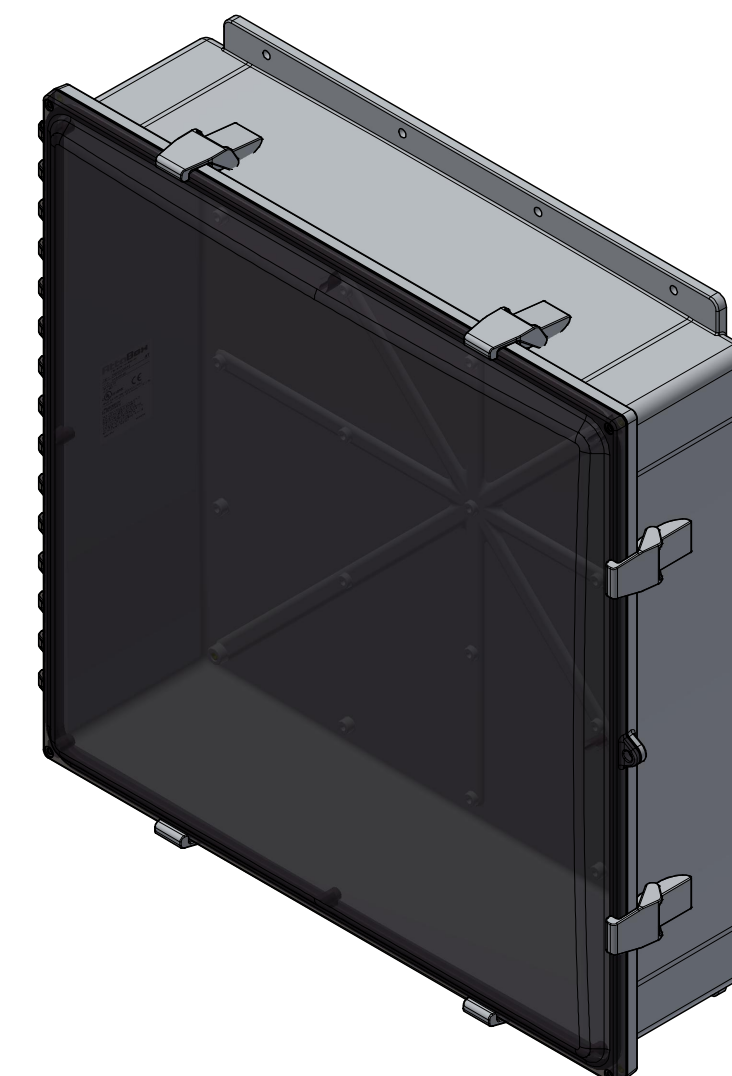
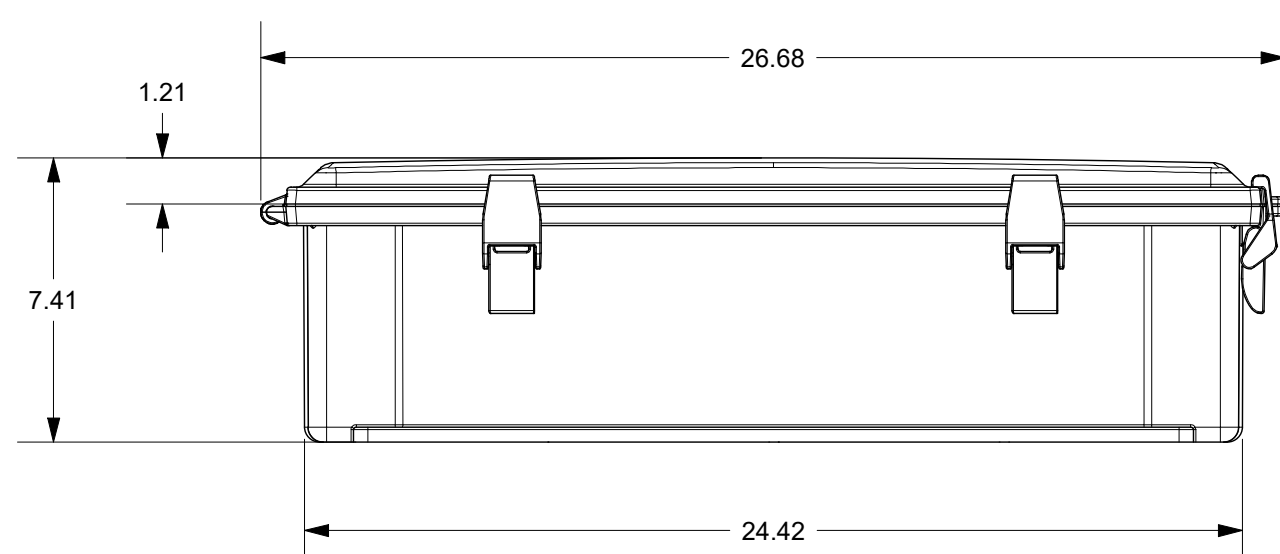
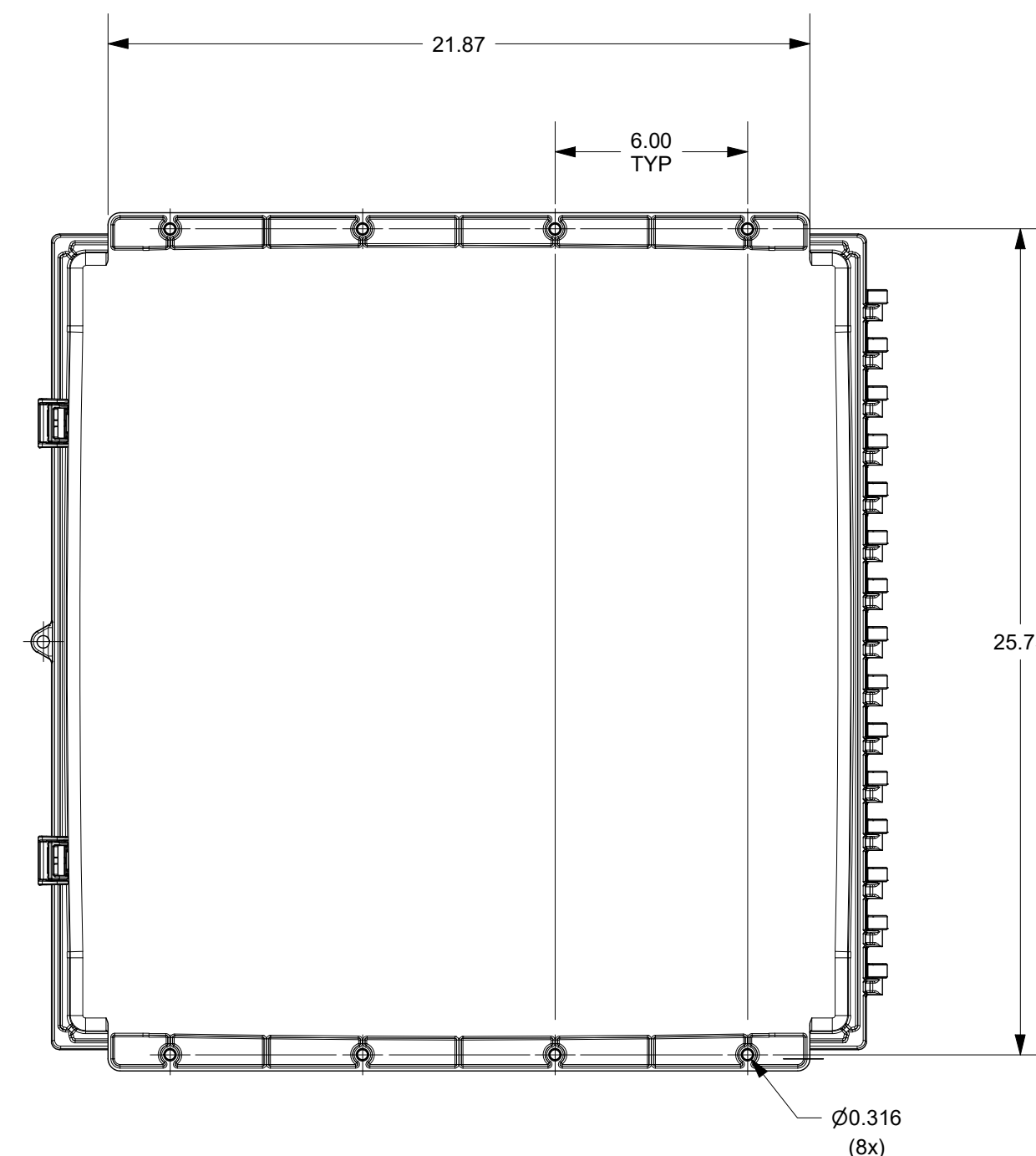


SECTION A-A



SECTION B-B



THIS DRAWING IS THE SOLE AND EXCLUSIVE PROPERTY OF ROBROY ENCLOSURES. NO PART OF THIS DRAWING MAY BE REPRODUCED, DISTRIBUTED, OR PUBLICALLY DISPLAYED IN ANY FORM OR BY ANY MEANS WITHOUT THE EXPRESS WRITTEN PERMISSION OF ROBROY ENCLOSURES. ALL RIGHTS RESERVED. UNDER THE COPYRIGHT LAWS. COPYRIGHT © 2023 ROBROY ENCLOSURES.

SPECIAL REQUIREMENTS
 ASSEMBLY:
 1 (1) ACCESSORY KIT WITHOUT MOUNTING FEET (WPPCACCKITNOFT) SHALL BE PACKAGED LOOSELY INSIDE ENCLOSURE

NEMA 250: TYPE 1, 3R, 4, 4X, 6P, 12
 IEC 60529: IP66, IP68
 COLOR: N/A
 COLOR STANDARD: PANTONE 7541 C

STANDARD P/N: AH24246C
 CUSTOMER DWG:

ALL DIMENSIONS ARE IN INCHES UNLESS OTHERWISE SPECIFIED
 TOLERANCES UNLESS SPECIFIED .XX ± 0.03 .XXX ± 0.010

REVISION HISTORY			
REV	DESCRIPTION	DATE	ENG
-	-	-	-
-	-	-	-
-	-	-	-
-	-	-	-
-	-	-	-
-	-	-	-

DRAWN BY: AA		DATE: 2/9/23	CUSTOMER:	DWG: AH24246C
SCALE: DO NOT SCALE	DESCRIPTION: STANDARD ENCLOSURE	PART NUMBER: ATAH24246C		

