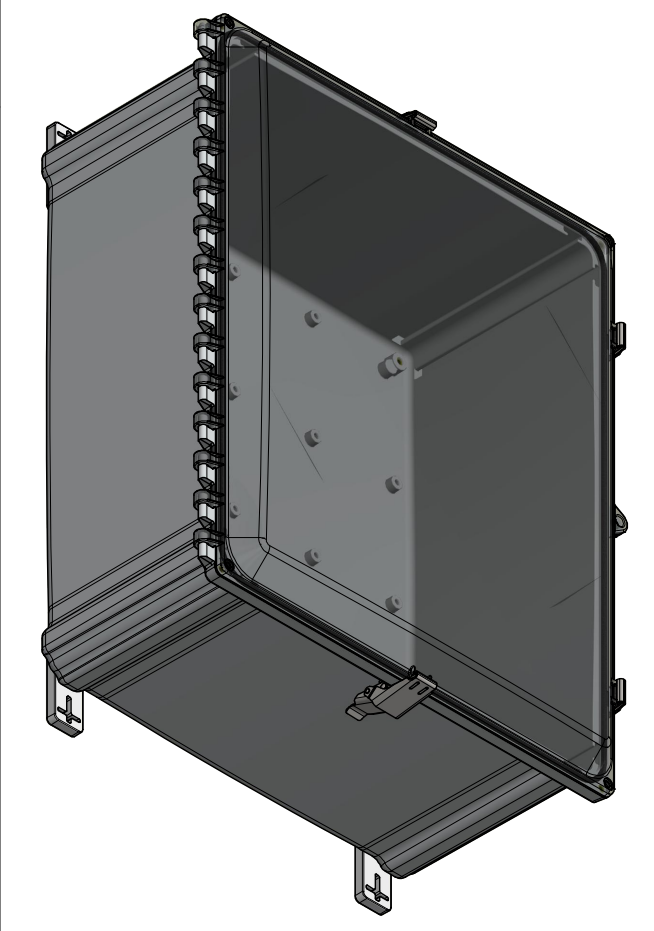
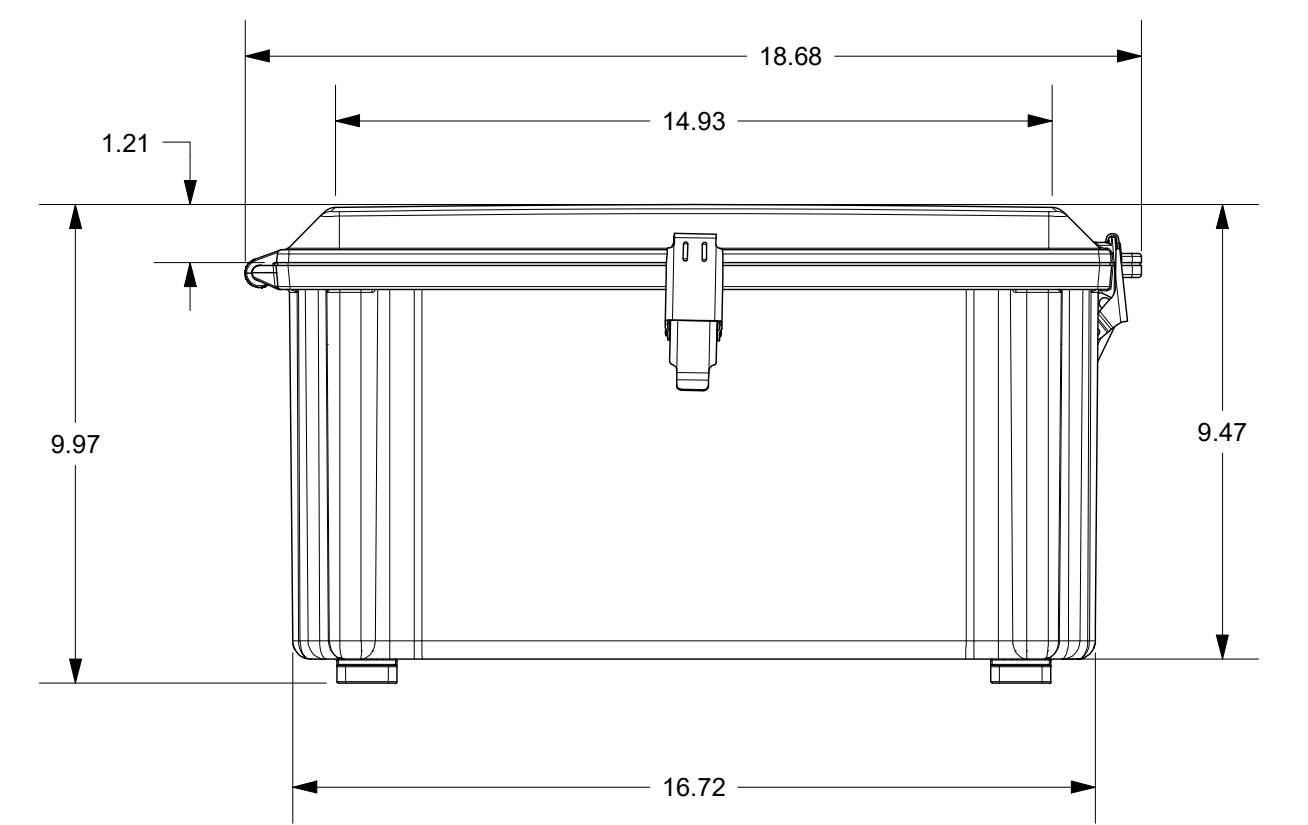
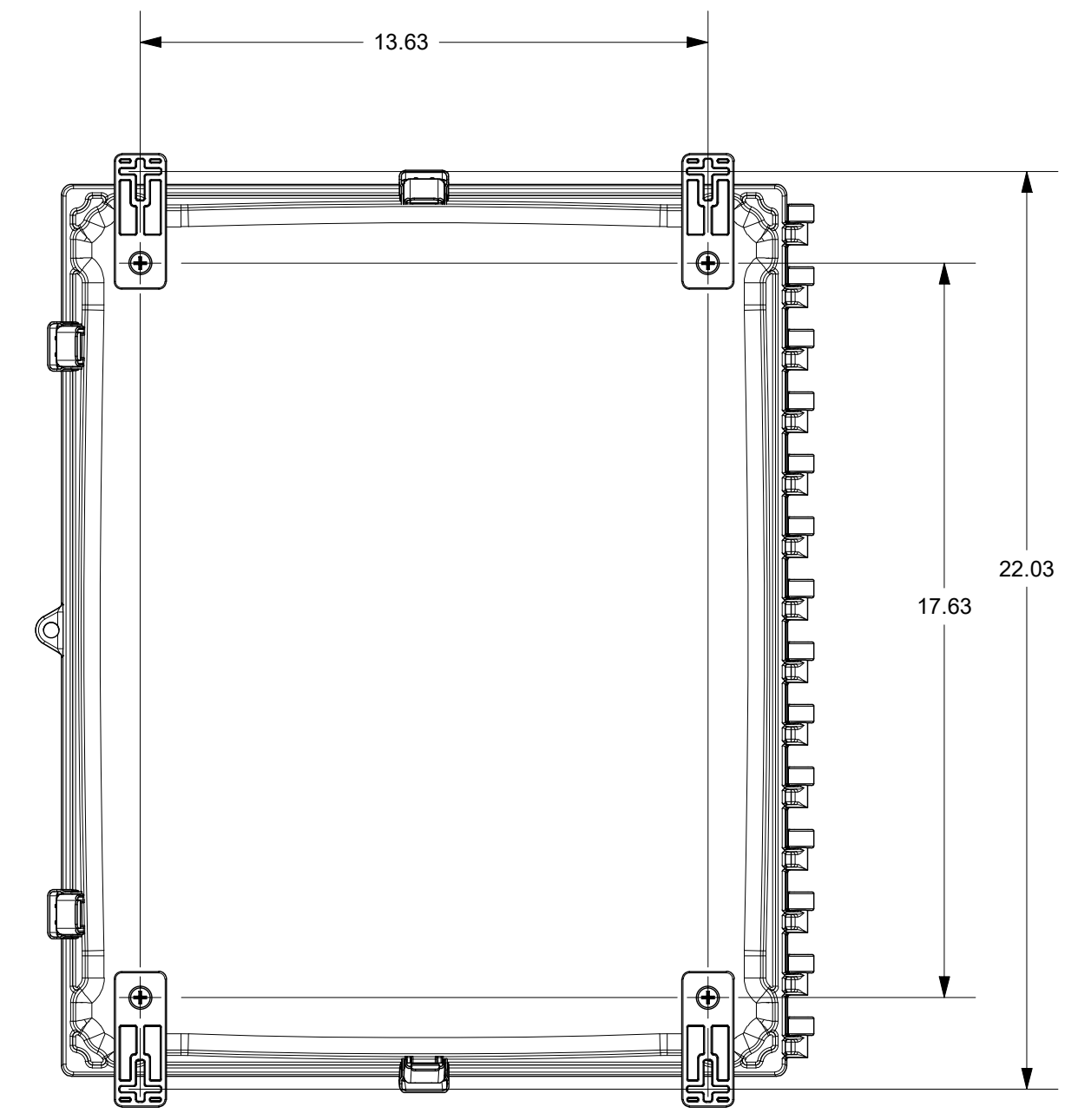
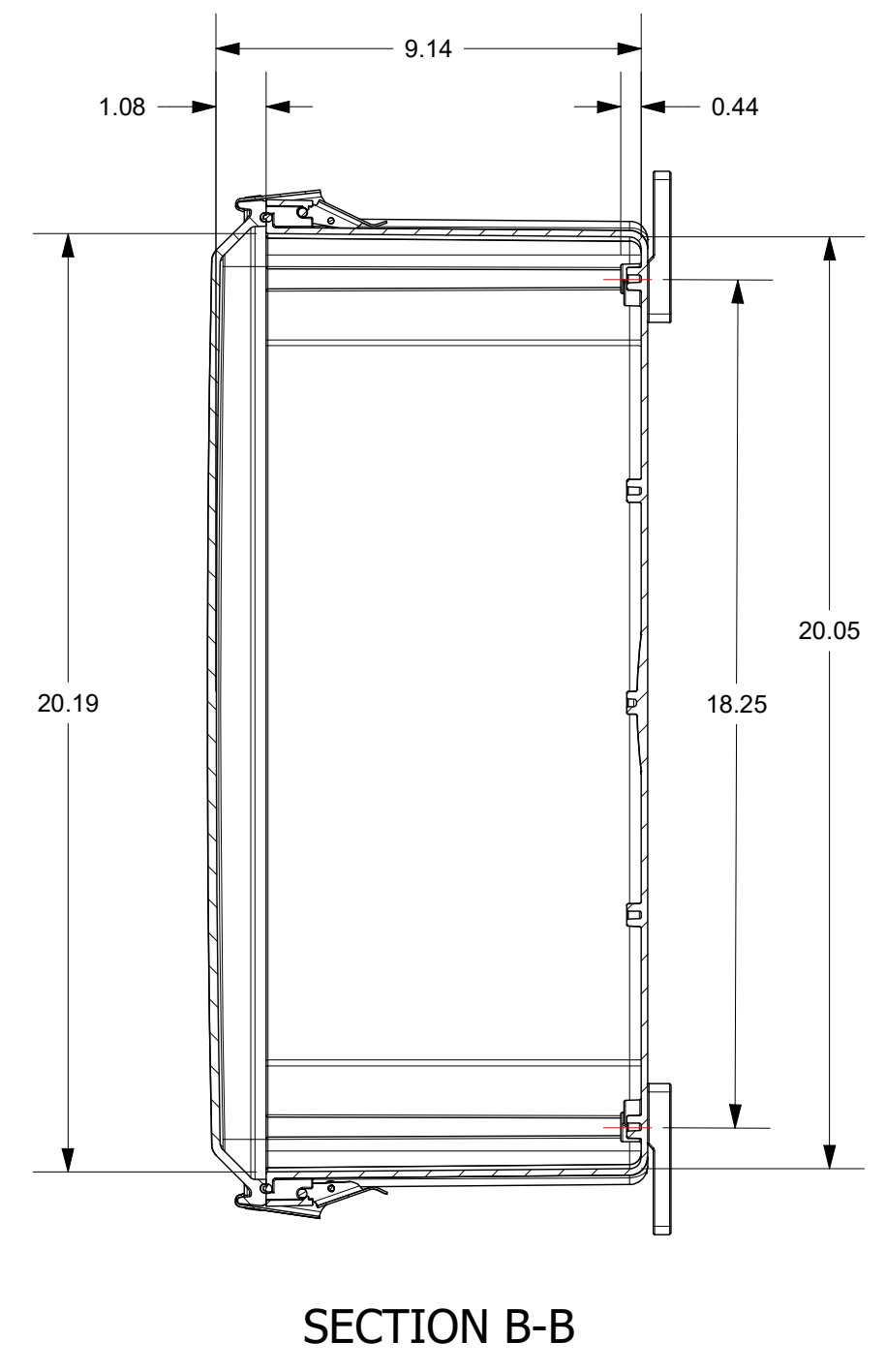
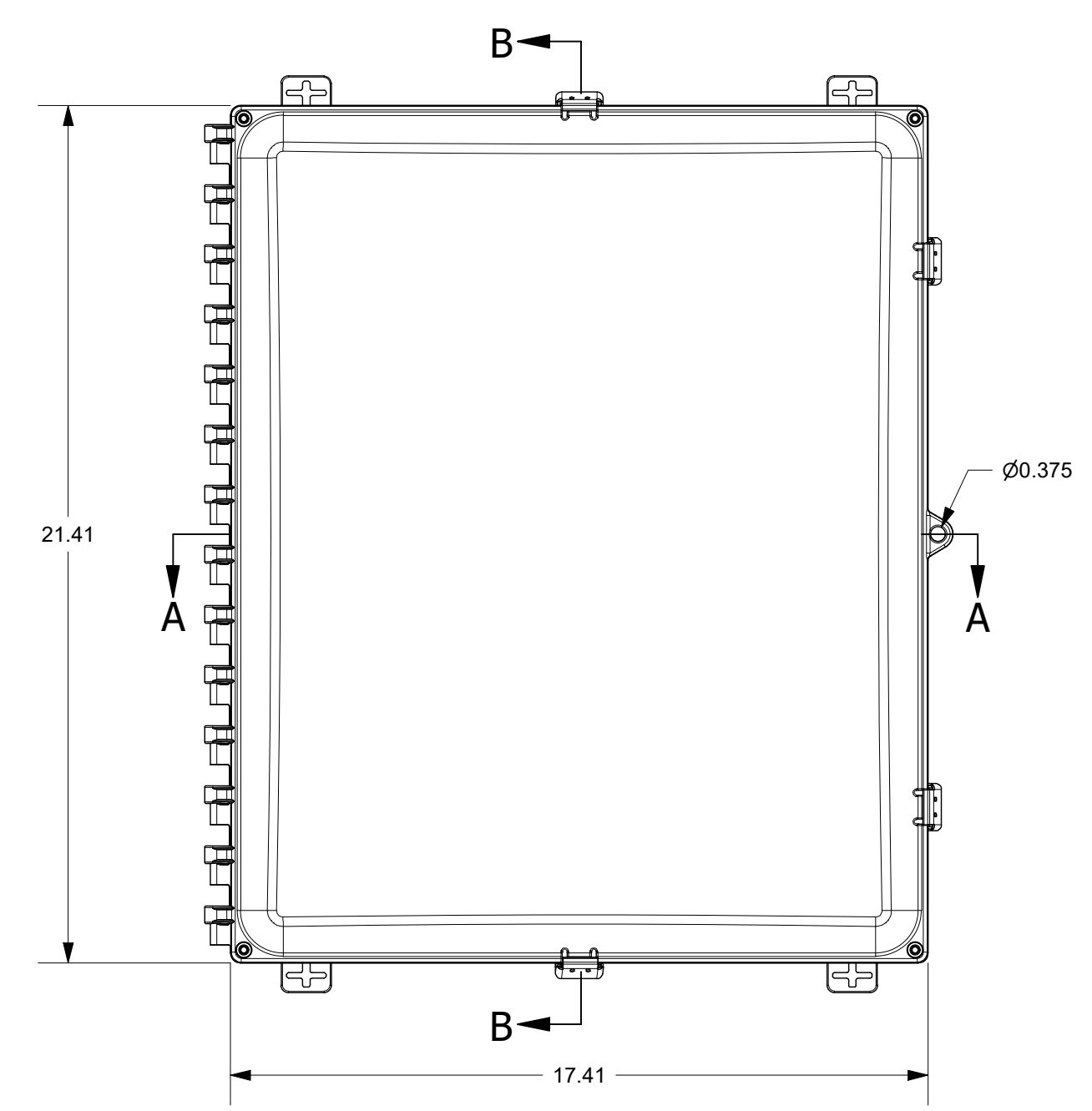
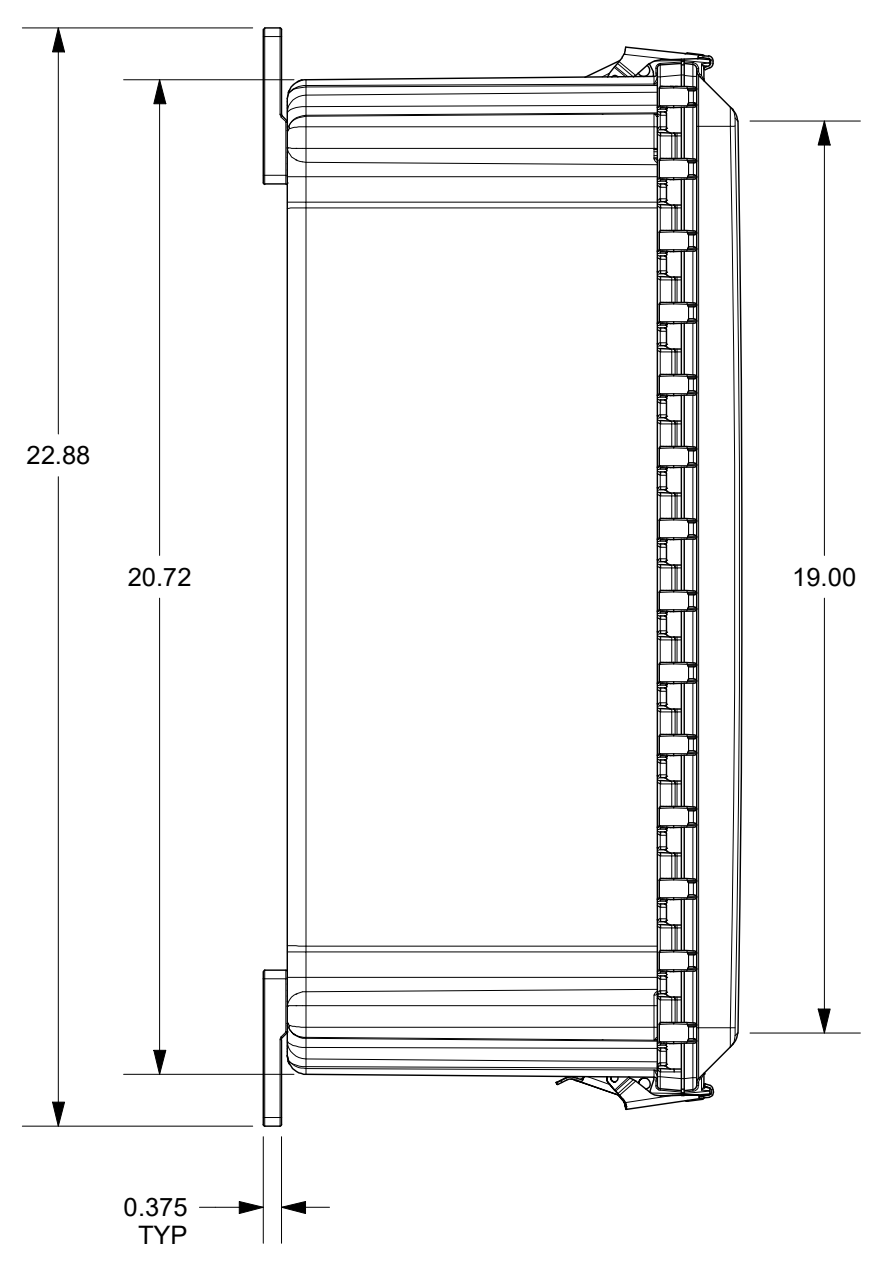


FOR REFERENCE ONLY  
MOUNTING FEET SHOWN AS INSTALLED



THIS DRAWING IS THE SOLE AND EXCLUSIVE PROPERTY OF ROBROY ENCLOSURES. NO PART OF THIS DRAWING MAY BE REPRODUCED, DISTRIBUTED, OR PUBLICALLY DISPLAYED IN ANY FORM OR BY ANY MEANS WITHOUT THE EXPRESS WRITTEN PERMISSION OF ROBROY ENCLOSURES. ALL RIGHTS RESERVED. UNDER THE COPYRIGHT LAWS. COPYRIGHT © 2020 ROBROY ENCLOSURES

**SPECIAL REQUIREMENTS**

**ASSEMBLY:**

- (1) ACCESSORY KIT (WPPCACCKIT) SHALL BE PACKAGED LOOSELY INSIDE ENCLOSURE
- (1) STYROFOAM SHEET SHALL BE PLACED ON TOP OF COVER INSIDE CARTON

**HARDWARE INCLUDED:**

- (4) #1/4-20 x 1/2 FLAT HEAD PHILLIPS MACHINE SCREW (RMSC114-20X.5FLPH)
- (4) #10-32 x 5/8 PAN HEAD PHILLIPS MACHINE SCREW (RMSC10/32X5/8SS)
- (4) #10-32 x 3/8 PAN HEAD SCREW (RMSC10/32X3/8ZN)
- (4) #10 WASHER (RMWAS10ZN)

NEMA 250: TYPE 1, 3R, 4, 4X, 12 IEC 60529: IP66	STANDARD P/N: AH20168CSS	ALL DIMENSIONS ARE IN INCHES UNLESS OTHERWISE SPECIFIED	TOLERANCES UNLESS SPECIFIED	.XX ± 0.03	.XXX ± 0.010																																								
COLOR: N/A COLOR STANDARD: PANTONE 7541 C	CUSTOMER DWG:	<p><b>AttaBox</b> A ROBROY ENCLOSURES™ BRAND</p>																																											
MATERIAL: POLYCARBONATE																																													
<table border="1"> <thead> <tr> <th>REV</th> <th>DESCRIPTION</th> <th>DATE</th> <th>ENG</th> <th>DRAWN BY</th> <th>DATE</th> <th>CUSTOMER</th> <th>DWG</th> </tr> </thead> <tbody> <tr> <td>-</td> <td>UPDATED BOSS LOCATION FOR MOUNTING FEET TO MATCH STANDARD</td> <td>8/19/2020</td> <td>BH</td> <td>AA</td> <td>8/17/20</td> <td></td> <td>AH20168CSS</td> </tr> <tr> <td>-</td> <td>-</td> <td>-</td> <td>-</td> <td>-</td> <td>-</td> <td>SCALE</td> <td>PART NUMBER</td> </tr> <tr> <td>-</td> <td>-</td> <td>-</td> <td>-</td> <td>-</td> <td>-</td> <td>DO NOT SCALE</td> <td>STANDARD ENCLOSURE</td> </tr> <tr> <td>-</td> <td>-</td> <td>-</td> <td>-</td> <td>-</td> <td>-</td> <td></td> <td>ATAH20168CSS</td> </tr> </tbody> </table>						REV	DESCRIPTION	DATE	ENG	DRAWN BY	DATE	CUSTOMER	DWG	-	UPDATED BOSS LOCATION FOR MOUNTING FEET TO MATCH STANDARD	8/19/2020	BH	AA	8/17/20		AH20168CSS	-	-	-	-	-	-	SCALE	PART NUMBER	-	-	-	-	-	-	DO NOT SCALE	STANDARD ENCLOSURE	-	-	-	-	-	-		ATAH20168CSS
REV	DESCRIPTION	DATE	ENG	DRAWN BY	DATE	CUSTOMER	DWG																																						
-	UPDATED BOSS LOCATION FOR MOUNTING FEET TO MATCH STANDARD	8/19/2020	BH	AA	8/17/20		AH20168CSS																																						
-	-	-	-	-	-	SCALE	PART NUMBER																																						
-	-	-	-	-	-	DO NOT SCALE	STANDARD ENCLOSURE																																						
-	-	-	-	-	-		ATAH20168CSS																																						
<p>Robroy Enclosures 500 Maple Street Belding, Michigan 48809 Phone: 616-794-0700 Fax: 616-749-3378</p>																																													