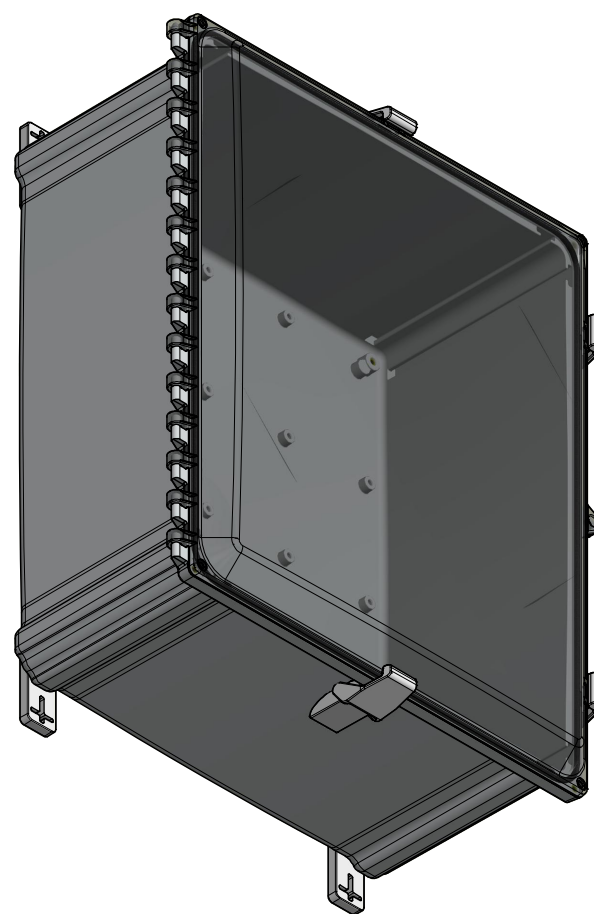
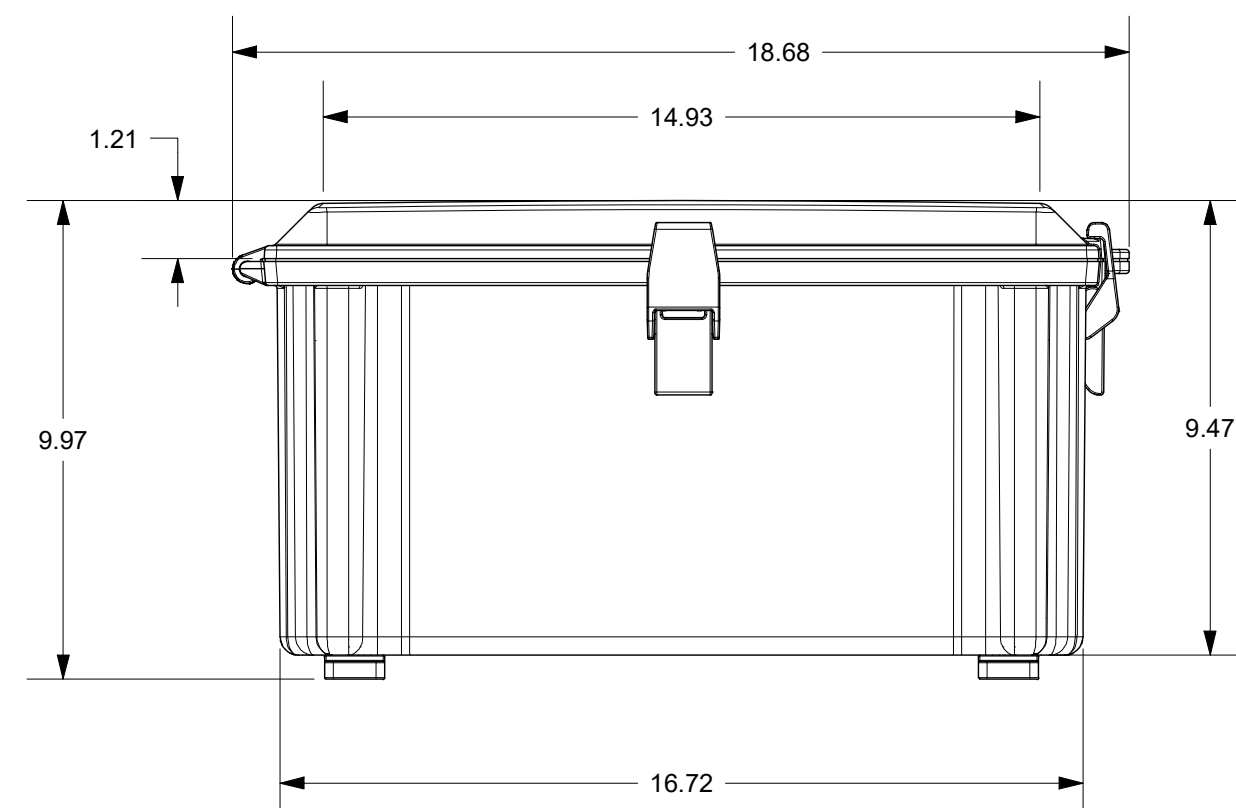
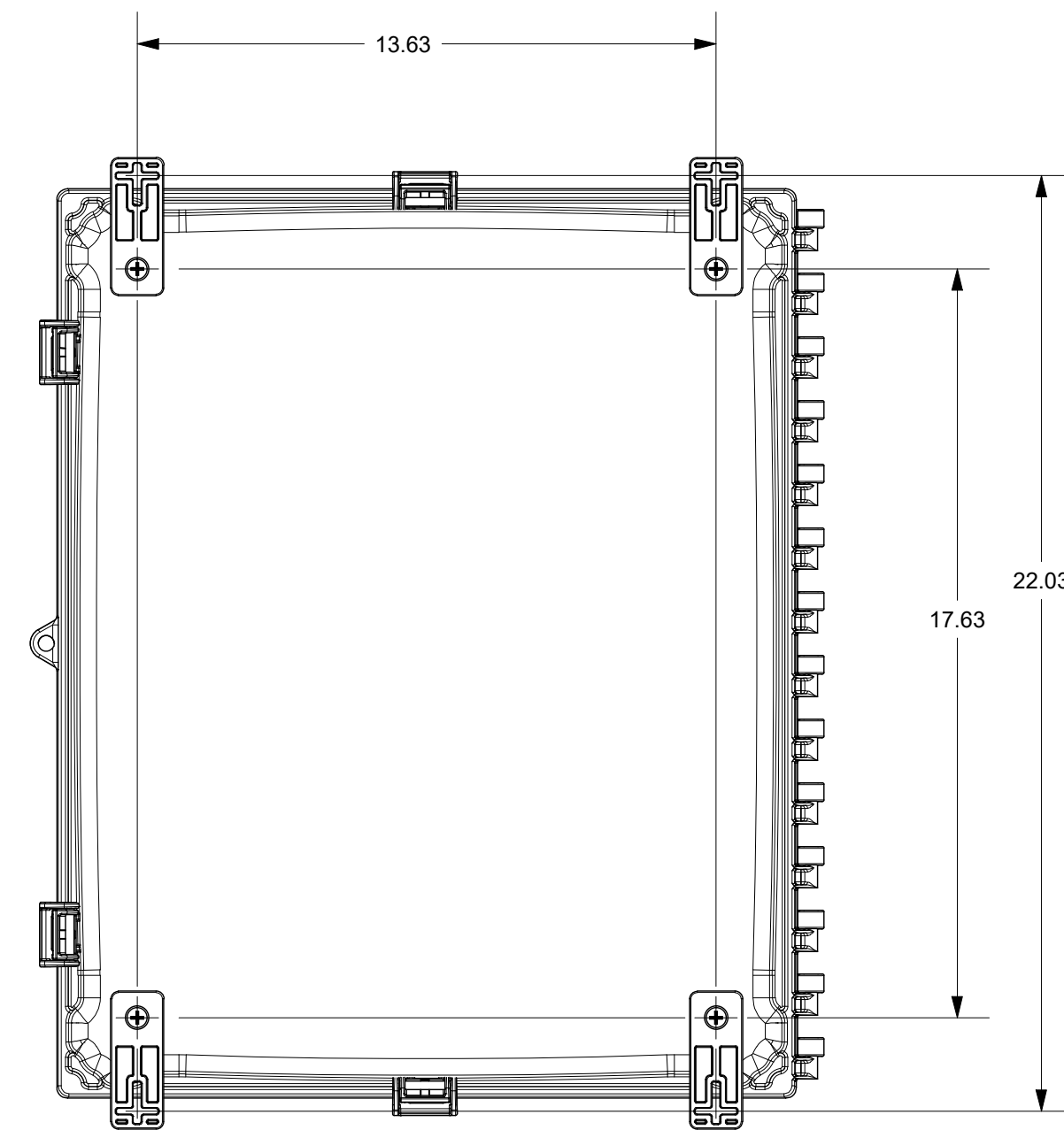
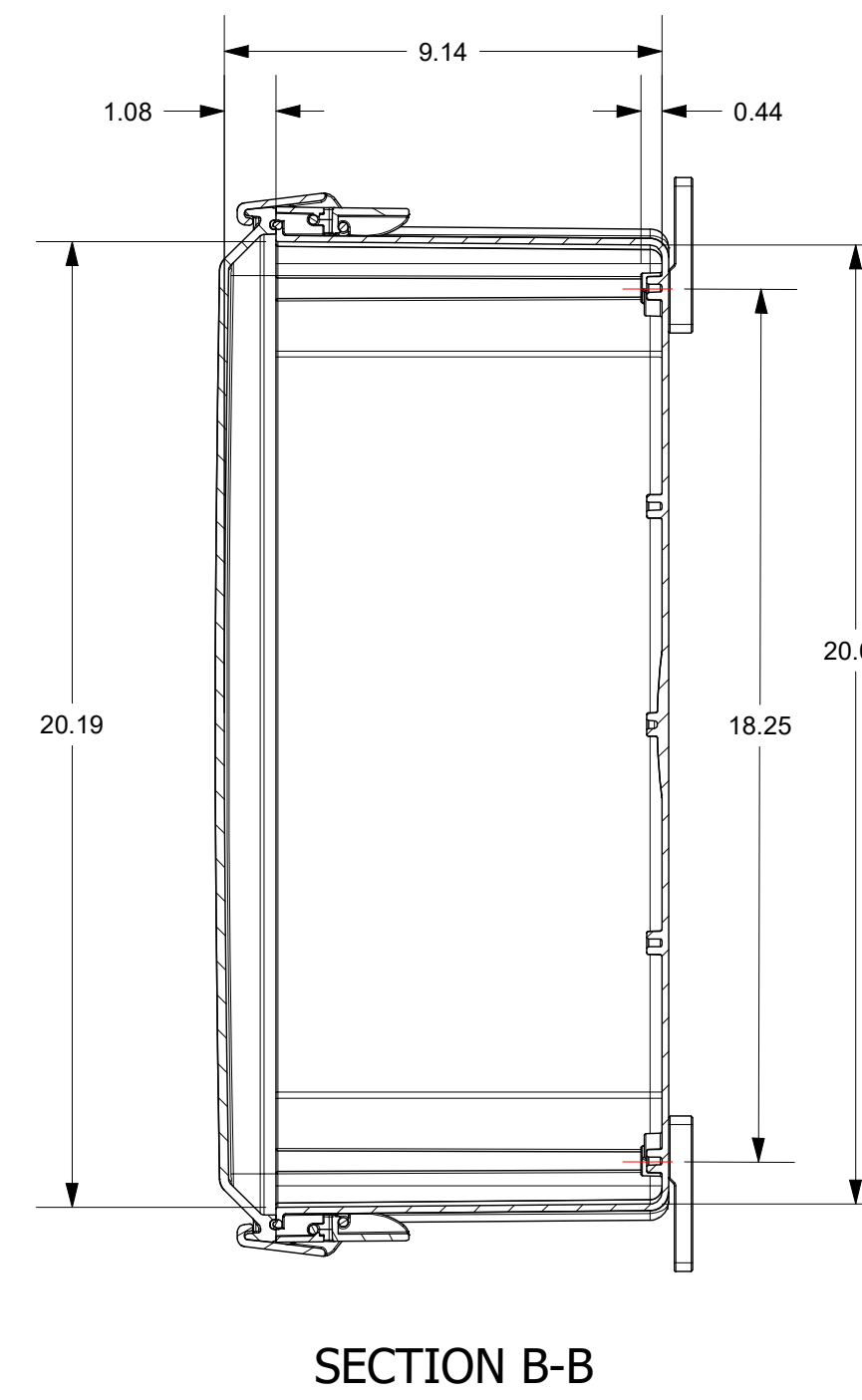
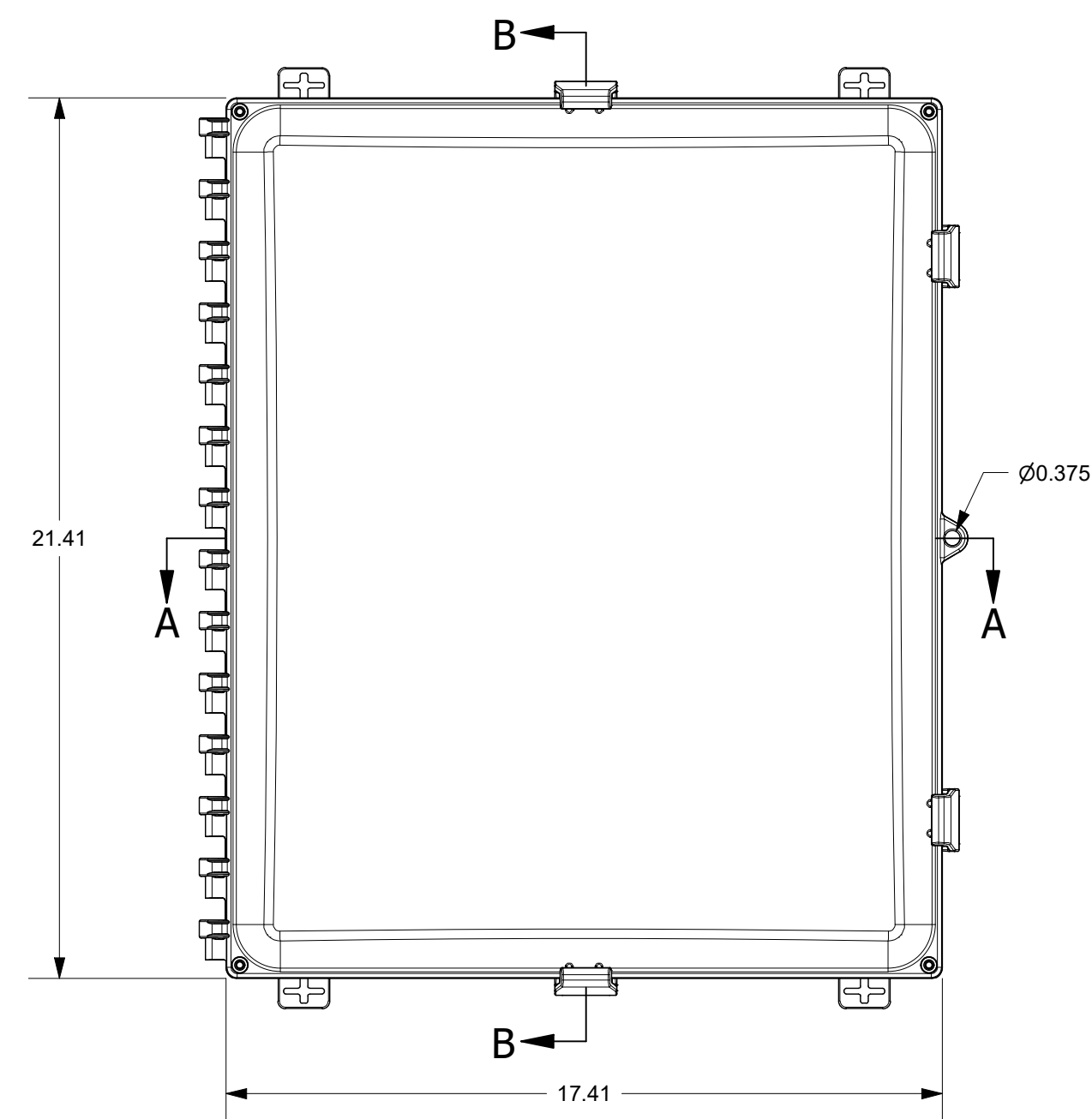
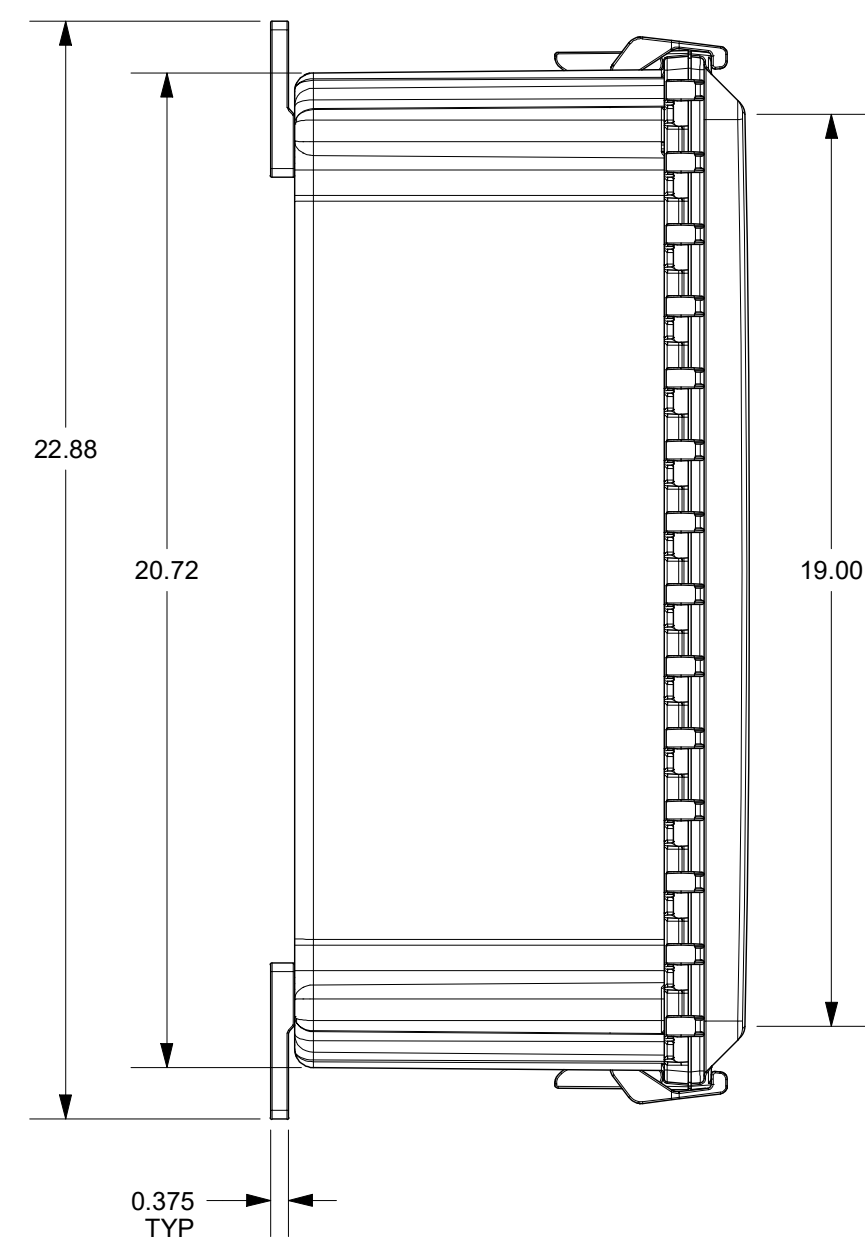



FOR REFERENCE ONLY
MOUNTING FEET SHOWN AS INSTALLED



THIS DRAWING IS THE SOLE AND EXCLUSIVE PROPERTY OF ROBROY ENCLOSURES. NO PART OF THIS DRAWING MAY BE REPRODUCED, DISTRIBUTED, OR PUBLICALLY DISPLAYED IN ANY FORM OR BY ANY MEANS WITHOUT THE EXPRESS WRITTEN PERMISSION OF ROBROY ENCLOSURES. ALL RIGHTS RESERVED. UNDER THE COPYRIGHT LAWS. COPYRIGHT © 2017 ROBROY ENCLOSURES

SPECIAL REQUIREMENTS
ASSEMBLY:
 1. (1) POLYCARBONATE ACCESSORY KIT (WPPCACKIT) SHALL BE PACKAGED LOOSELY INSIDE ENCLOSURE
HARDWARE INCLUDED:
 (4) 1/4-20 x 1/2 FLAT HEAD PHILLIPS MACHINE SCREW (RMSC1/4-20X.5FLPH)
 (4) #10-32 x 5/8 PAN HEAD PHILLIPS MACHINE SCREW (RMSC1032X5/8SS)
 (4) #10-32 x 3/8 PAN HEAD SCREW (RMSC1032X3/8ZN)
 (4) #10 WASHER (RMWAS10ZN)
 2. (1) STYROFOAM SHEET SHALL BE PLACED ON TOP OF COVER INSIDE CARTON

NEMA 250: TYPE 1, 3R, 4, 4X, 12 IEC 60529: IP66		STANDARD P/N: AH20168C	ALL DIMENSIONS ARE IN INCHES UNLESS OTHERWISE SPECIFIED		TOLERANCES UNLESS SPECIFIED	.XX ± 0.03	.XXX ± 0.010																																																
COLOR: N/A COLOR STANDARD: PANTONE 7541 C		CUSTOMER DWG:	 AttaBox A ROBROY ENCLOSURES™ BRAND Robroy Enclosures 500 Maple Street Belding, Michigan 48809 Phone: 616-794-0700 Fax: 616-749-3378																																																				
MATERIAL: POLYCARBONATE																																																							
<table border="1"> <thead> <tr> <th colspan="2">REVISION HISTORY</th> <th>DATE</th> <th>ENG</th> <th>DRAWN BY</th> <th>DATE</th> <th>CUSTOMER</th> <th>DWG</th> </tr> </thead> <tbody> <tr> <td>-</td> <td>UPDATED BOSS LOCATION FOR MOUNTING FEET TO MATCH STANDARD</td> <td>8/19/2020</td> <td>BH</td> <td></td> <td>06/06/17</td> <td></td> <td>AH20168C</td> </tr> <tr> <td>-</td> <td>-</td> <td>-</td> <td>-</td> <td></td> <td></td> <td></td> <td></td> </tr> <tr> <td>-</td> <td>-</td> <td>-</td> <td>-</td> <td></td> <td></td> <td></td> <td></td> </tr> <tr> <td>-</td> <td>-</td> <td>-</td> <td>-</td> <td></td> <td></td> <td></td> <td></td> </tr> <tr> <td>-</td> <td>-</td> <td>-</td> <td>-</td> <td></td> <td></td> <td></td> <td></td> </tr> </tbody> </table>								REVISION HISTORY		DATE	ENG	DRAWN BY	DATE	CUSTOMER	DWG	-	UPDATED BOSS LOCATION FOR MOUNTING FEET TO MATCH STANDARD	8/19/2020	BH		06/06/17		AH20168C	-	-	-	-					-	-	-	-					-	-	-	-					-	-	-	-				
REVISION HISTORY		DATE	ENG	DRAWN BY	DATE	CUSTOMER	DWG																																																
-	UPDATED BOSS LOCATION FOR MOUNTING FEET TO MATCH STANDARD	8/19/2020	BH		06/06/17		AH20168C																																																
-	-	-	-																																																				
-	-	-	-																																																				
-	-	-	-																																																				
-	-	-	-																																																				
DO NOT SCALE		SCALE	DESCRIPTION	PART NUMBER		STANDARD ENCLOSURE																																																	
				ATAH20168C																																																			