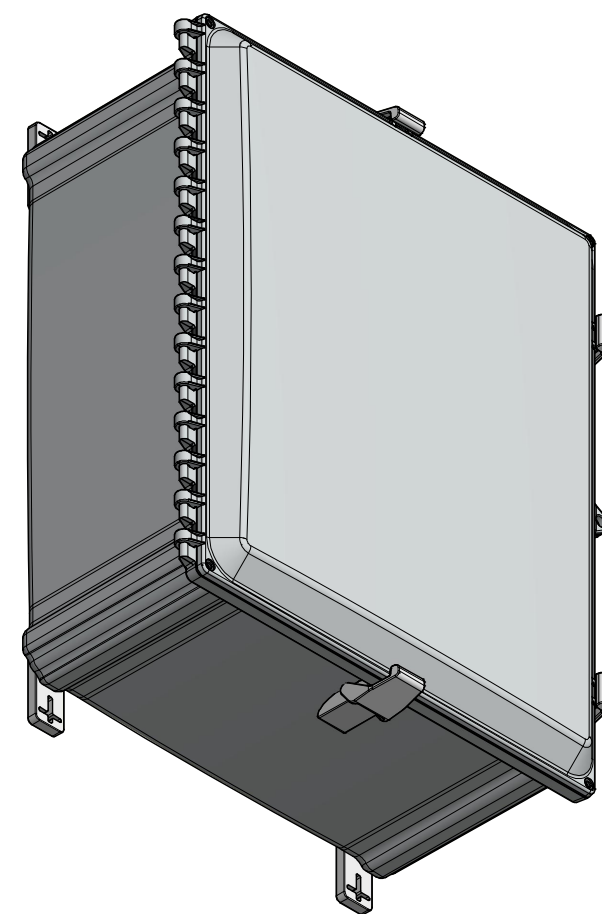
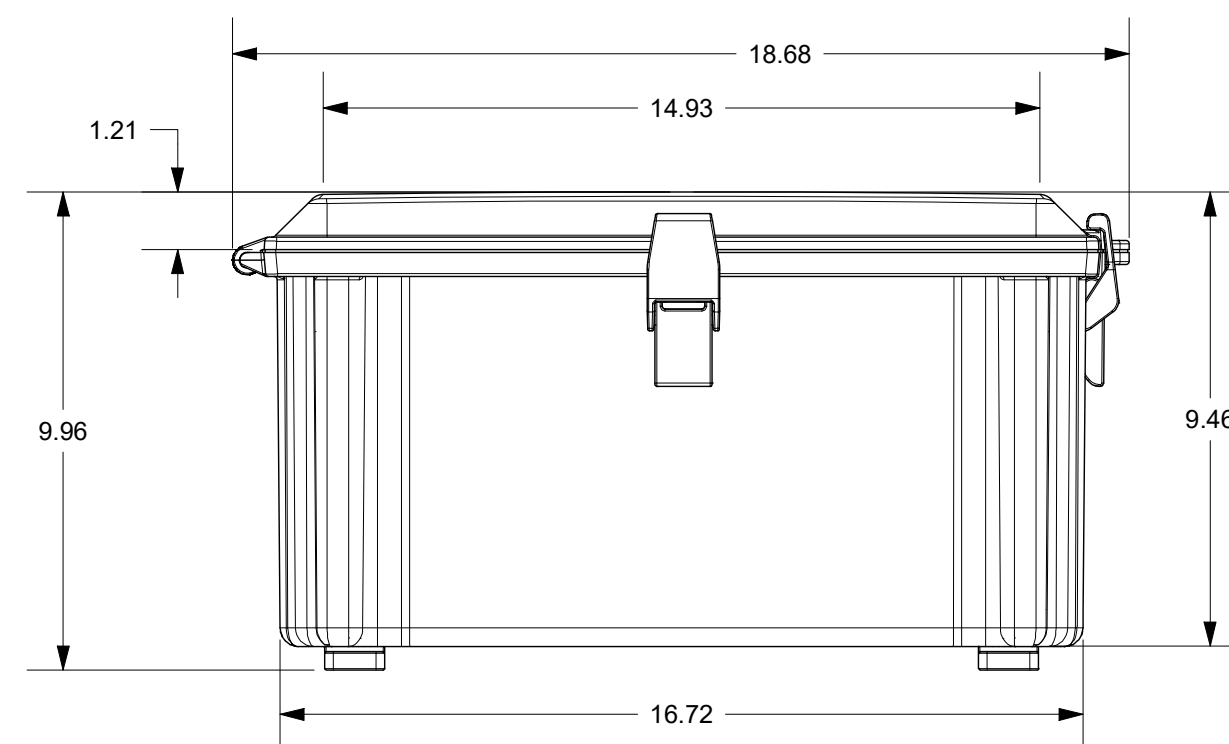
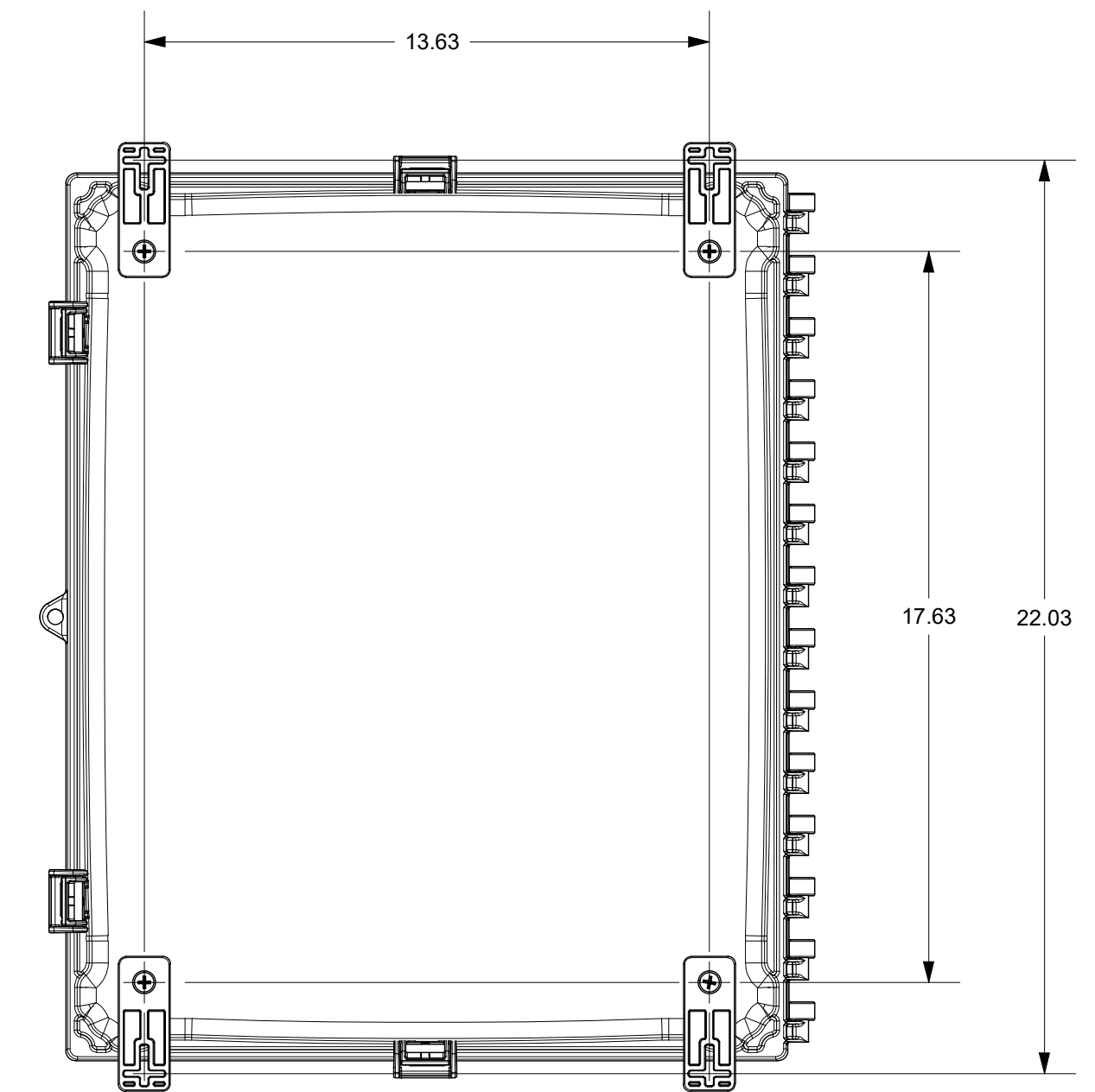
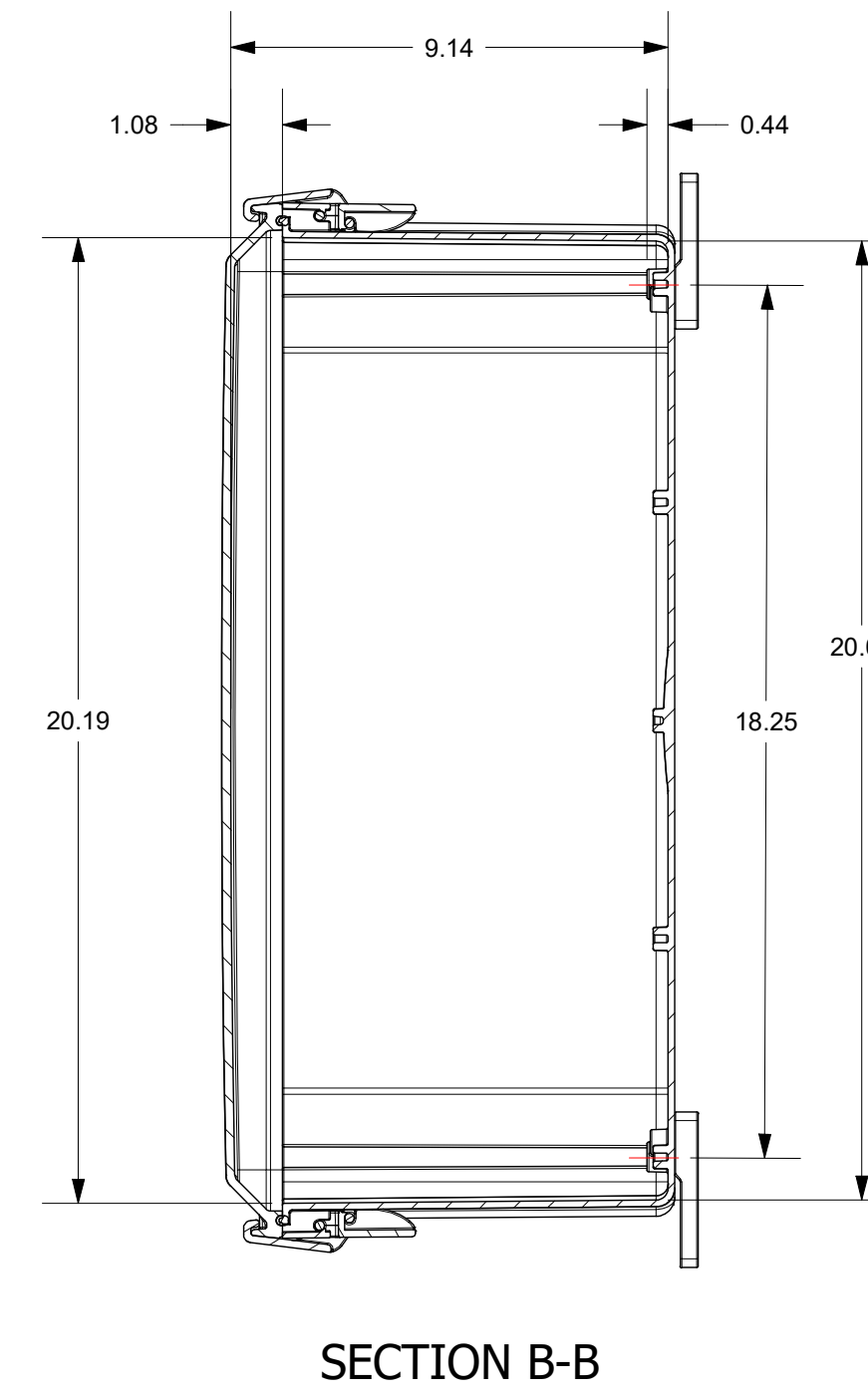
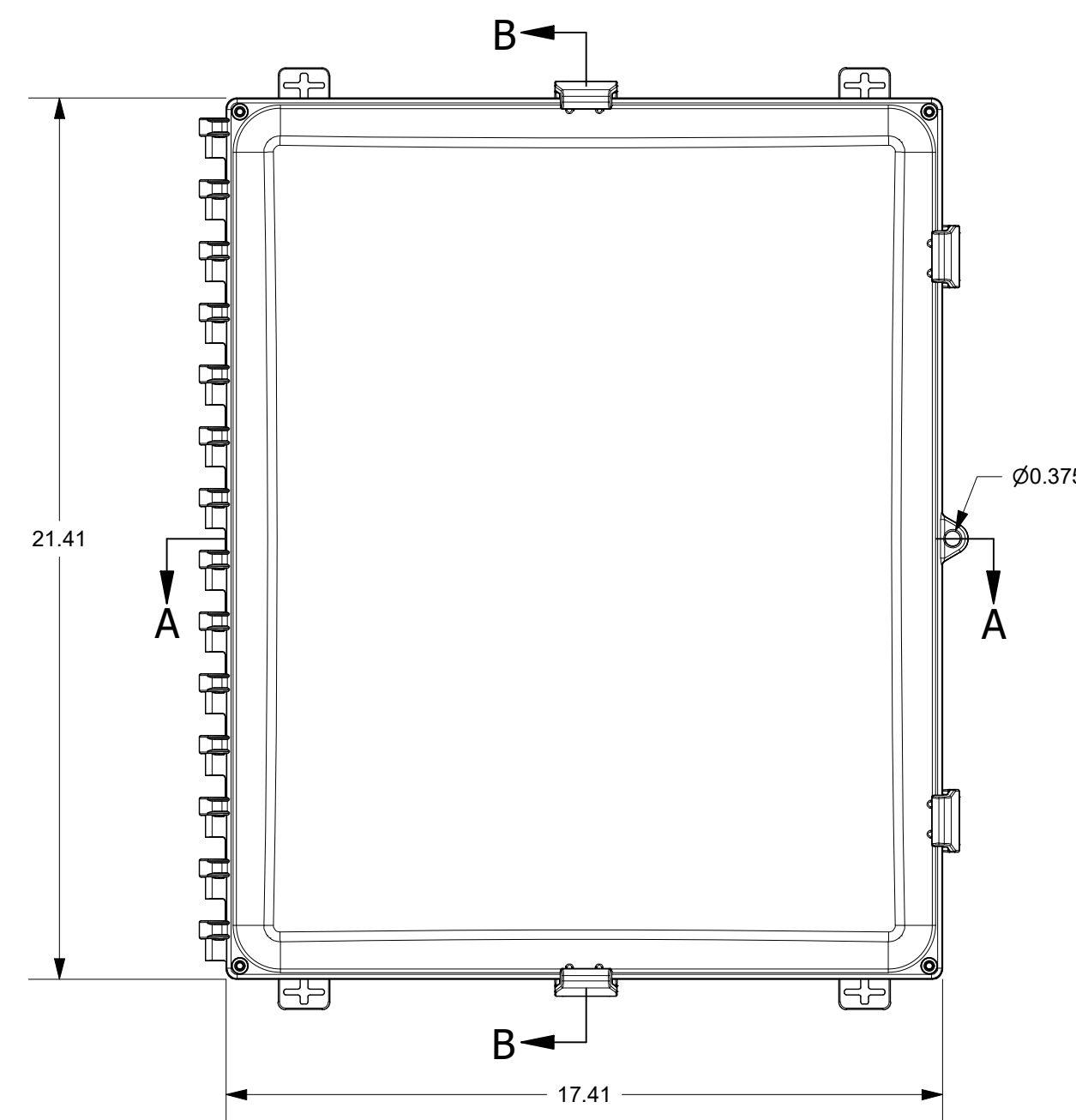
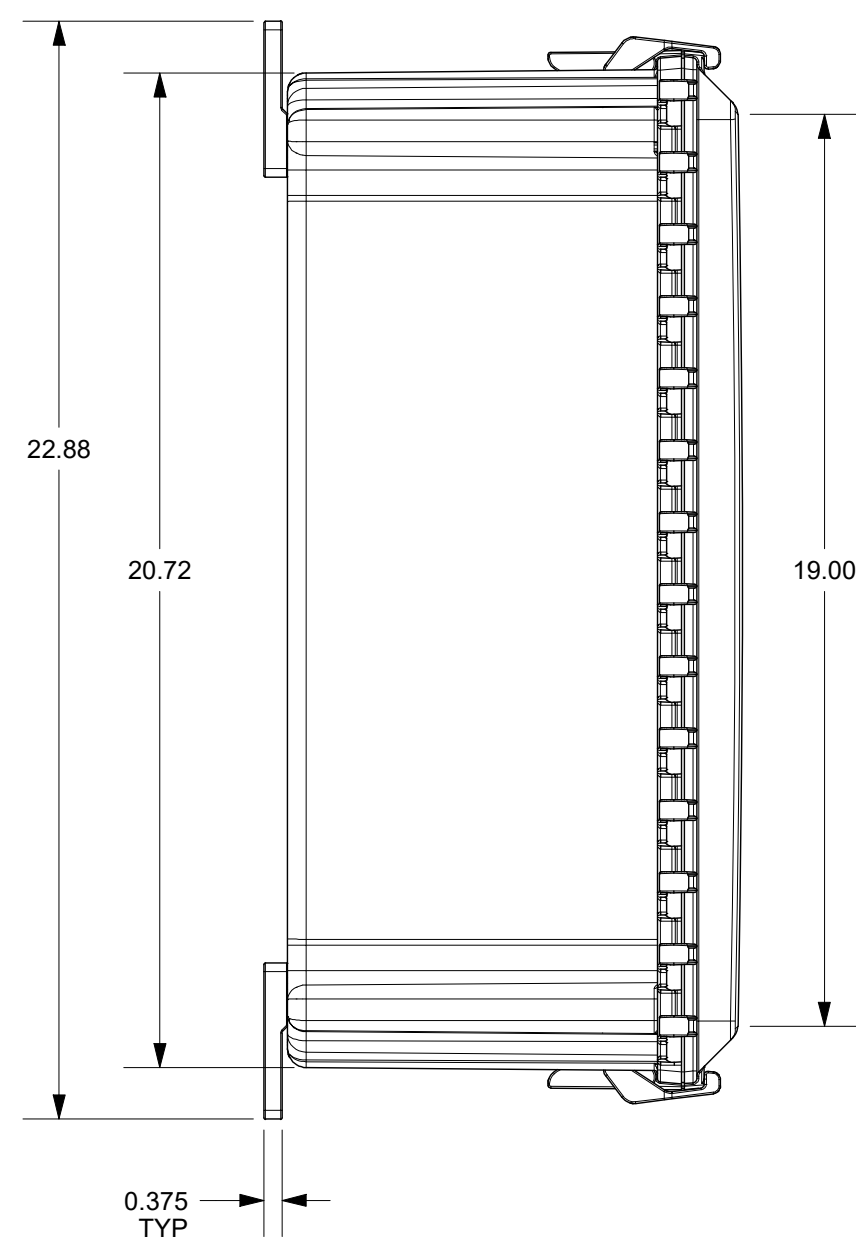


FOR REFERENCE ONLY  
MOUNTING FEET SHOWN AS INSTALLED



THIS DRAWING IS THE SOLE AND EXCLUSIVE PROPERTY OF ROBROY ENCLOSURES. NO PART OF THIS DRAWING MAY BE REPRODUCED, DISTRIBUTED, OR PUBLICALLY DISPLAYED IN ANY FORM OR BY ANY MEANS WITHOUT THE EXPRESS WRITTEN PERMISSION OF ROBROY ENCLOSURES. ALL RIGHTS RESERVED. UNDER THE COPYRIGHT LAWS. COPYRIGHT © 2017 ROBROY ENCLOSURES.


**SPECIAL REQUIREMENTS**

ASSEMBLY:

- (1) POLYCARBONATE ACCESSORY KIT (WPPCACCKIT) SHALL BE PACKAGED LOOSELY INSIDE ENCLOSURE
- (1) STYROFOAM SHEET SHALL BE PLACED ON TOP OF COVER INSIDE CARTON

HARDWARE INCLUDED:

- (4) 1/4-20 x 1/2 FLAT HEAD PHILLIPS MACHINE SCREW (RMSC1/4-20X.5FLPH)
- (4) #10-32 x 5/8 PAN HEAD PHILLIPS MACHINE SCREW (RMSC1032X5/8SS)
- (4) #10-32 x 3/8 PAN HEAD SCREW (RMSC1032X3/8ZN)
- (4) #10 WASHER (RMWAS10ZN)

NEMA 250: TYPE 1, 3R, 4, 4X, 12 IEC 60529: IP66		STANDARD P/N: AH20168	ALL DIMENSIONS ARE IN INCHES UNLESS OTHERWISE SPECIFIED		TOLERANCES UNLESS SPECIFIED	.XX ± 0.03	.XXX ± 0.010	
COLOR: N/A COLOR STANDARD: PANTONE 7541 C		CUSTOMER DWG:	 <b>AttaBox</b> A ROBROY ENCLOSURES™ BRAND					<b>Robroy Enclosures</b> 500 Maple Street Belding, Michigan 48809 Phone: 616-794-0700 Fax: 616-749-3378
MATERIAL: POLYCARBONATE		REVISION HISTORY		DRN	DATE	CUSTOMER	DWG	
REV	DESCRIPTION	DATE	ENG					
-	UPDATED BOSS LOCATION FOR MOUNTING FEET TO MATCH STANDARD	8/17/20	BH				AH20168	
-	-	-	-	SCALE	DESCRIPTION	PART NUMBER		
-	-	-	-	DO NOT SCALE	STANDARD ENCLOSURE	ATAH20168		