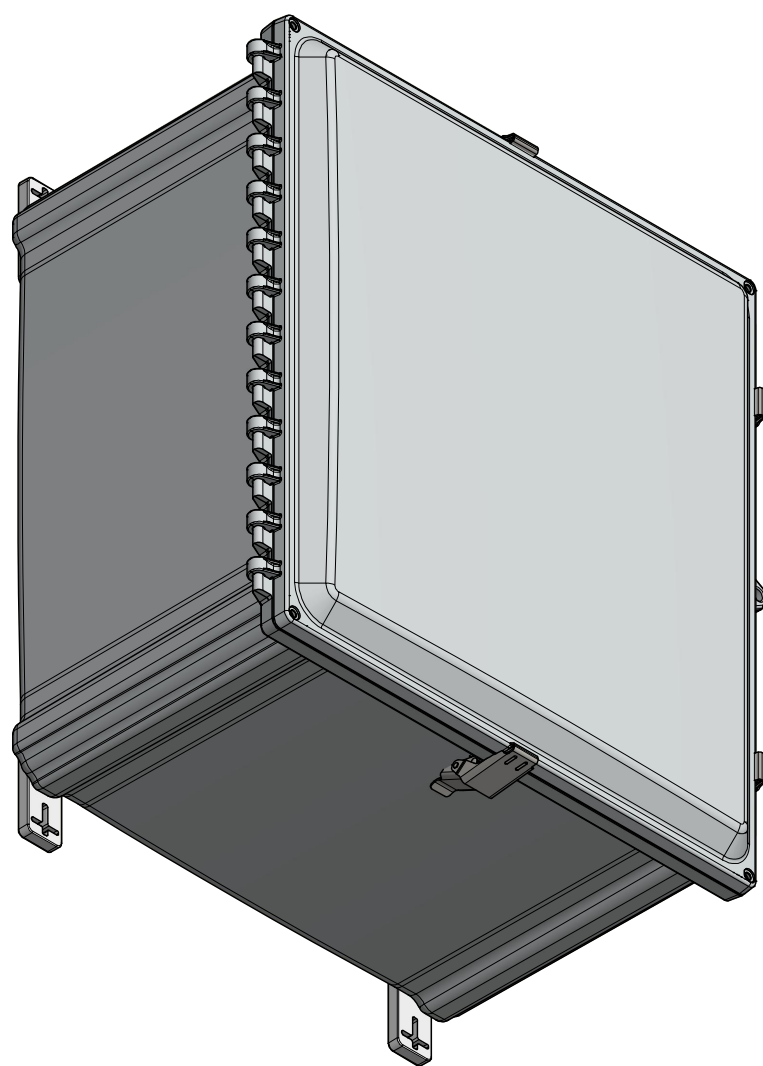
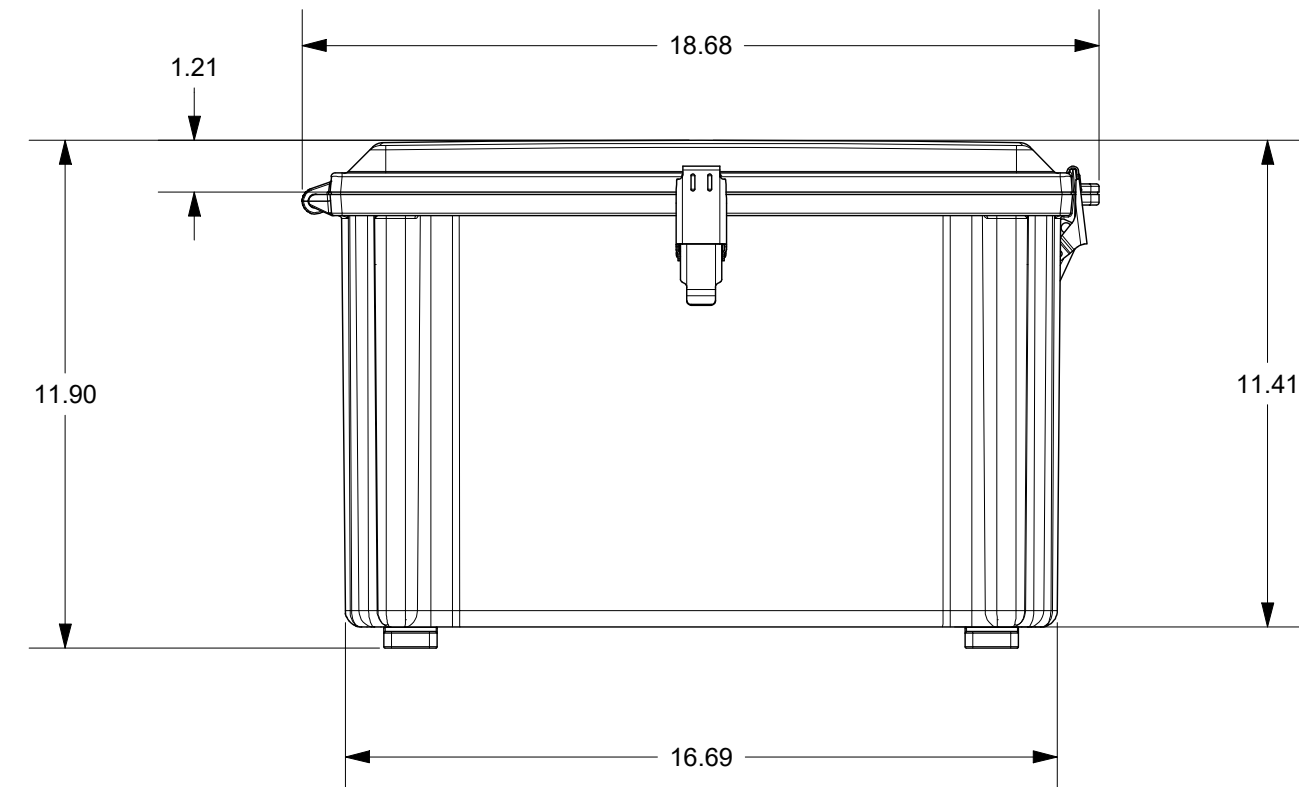
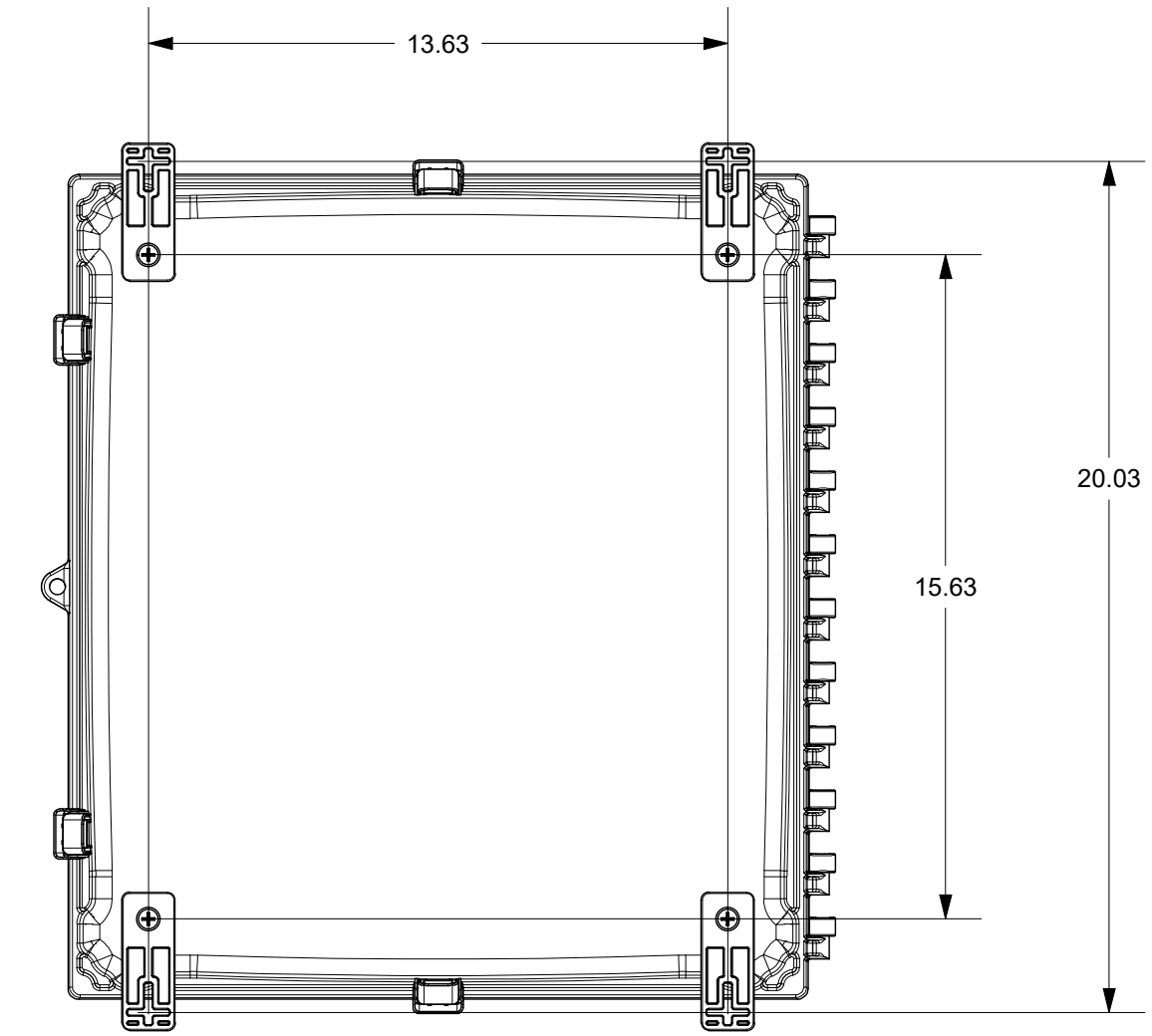
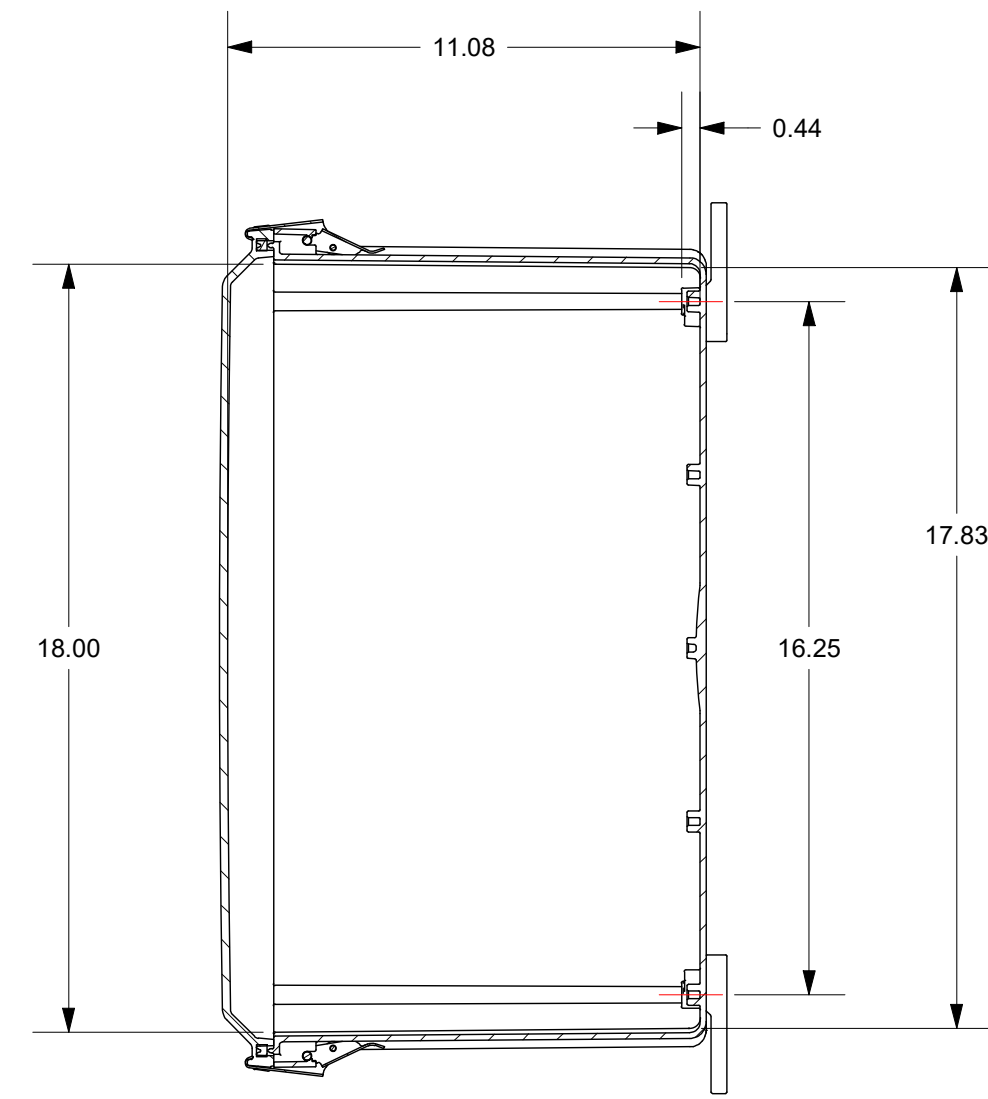
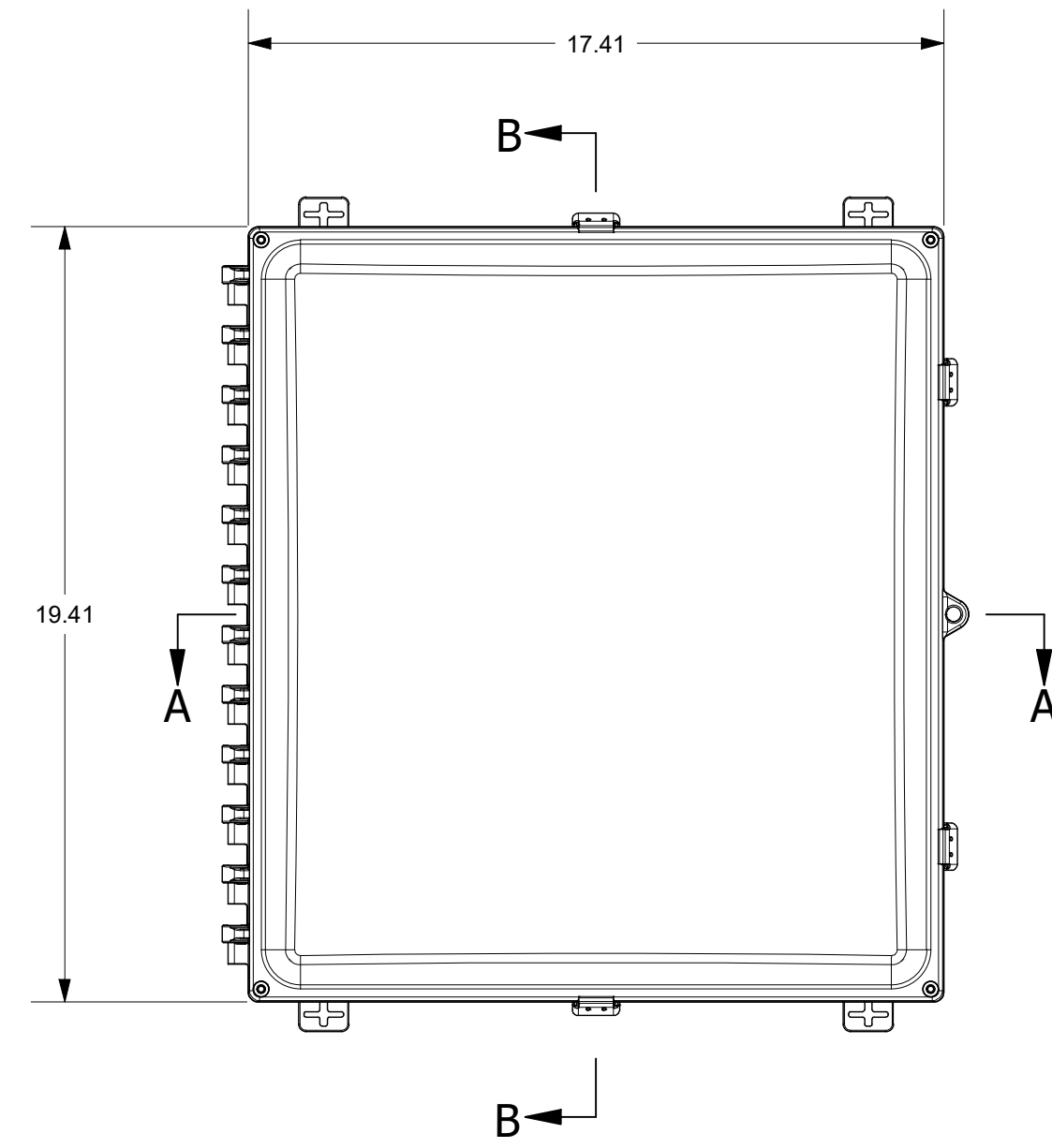
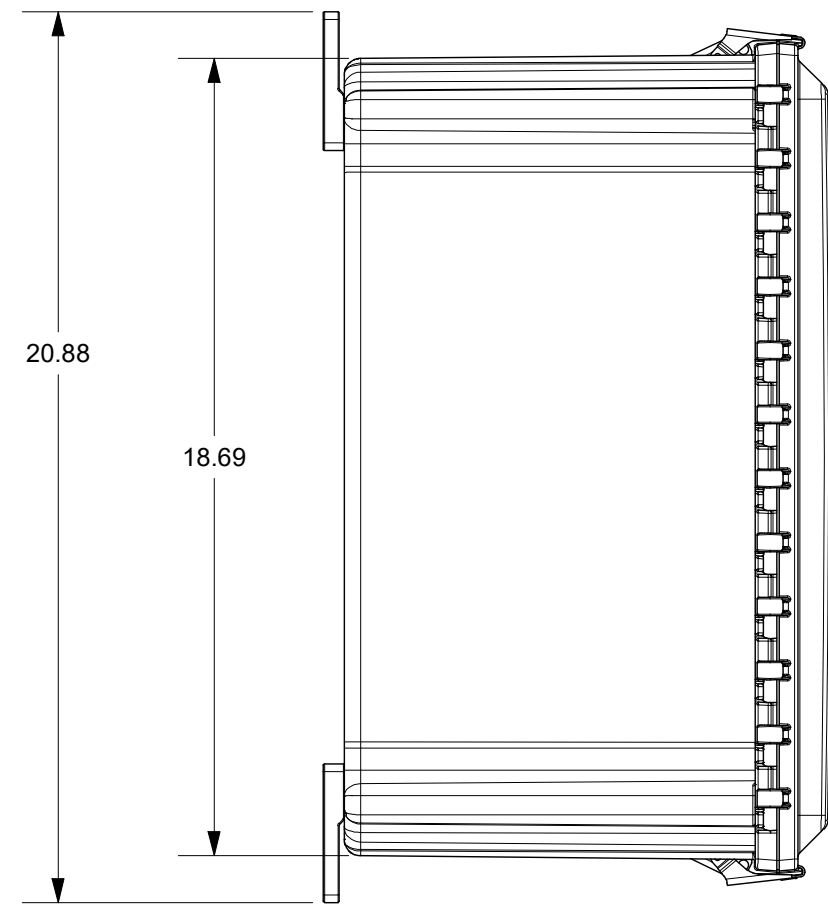


FOR REFERENCE ONLY  
MOUNTING FEET SHOWN AS INSTALLED



THIS DRAWING IS THE SOLE AND EXCLUSIVE PROPERTY OF ROBROY ENCLOSURES. NO PART OF THIS DRAWING MAY BE REPRODUCED, DISTRIBUTED, OR PUBLICALLY DISPLAYED IN ANY FORM OR BY ANY MEANS WITHOUT THE EXPRESS WRITTEN PERMISSION OF ROBROY ENCLOSURES. ALL RIGHTS RESERVED. UNDER THE COPYRIGHT LAWS. COPYRIGHT © 2020 ROBROY ENCLOSURES

- SPECIAL REQUIREMENTS**
- ASSEMBLY:
- (1) ACCESSORY KIT (WPPCACKIT) SHALL BE PACKAGED LOOSELY INSIDE ENCLOSURE
  - (1) STYROFOAM SHEET SHALL BE PLACED ON TOP OF COVER INSIDE CARTON
- HARDWARE INCLUDED:
- (4) #14-20 x 1/2 FLAT HEAD PHILLIPS MACHINE SCREW (RMSC114-20X.5FLPH)
  - (4) #10-32 x 5/8 PAN HEAD PHILLIPS MACHINE SCREW (RMSC10/32X5/8SS)
  - (4) #10-32 x 3/8 PAN HEAD SCREW (RMSC10/32X3/8ZN)
  - (4) #10 WASHER (RMWAS10ZN)

NEMA 250: TYPE 1, 3R, 4, 4X, 12  
IEC 60529: IP66  
COLOR: N/A  
COLOR STANDARD: PANTONE 7541 C

STANDARD P/N: AH181610SS  
CUSTOMER DWG:

ALL DIMENSIONS ARE IN INCHES UNLESS OTHERWISE SPECIFIED

TOLERANCES UNLESS SPECIFIED .XX ± 0.03 .XXX ± 0.010

REVISION HISTORY			
REV	DESCRIPTION	DATE	ENG
-	-	-	-
-	-	-	-
-	-	-	-
-	-	-	-
-	-	-	-
-	-	-	-
-	-	-	-

		<b>Robroy Enclosures</b> 500 Maple Street Belding, Michigan 48809 Phone: 616-794-0700 Fax: 616-749-3378	
DRAWN BY	DATE	CUSTOMER	DWG
AA	8/17/20		AH181610SS
SCALE	DESCRIPTION	PART NUMBER	
DO NOT SCALE	STANDARD ENCLOSURE	ATAH181610SS	