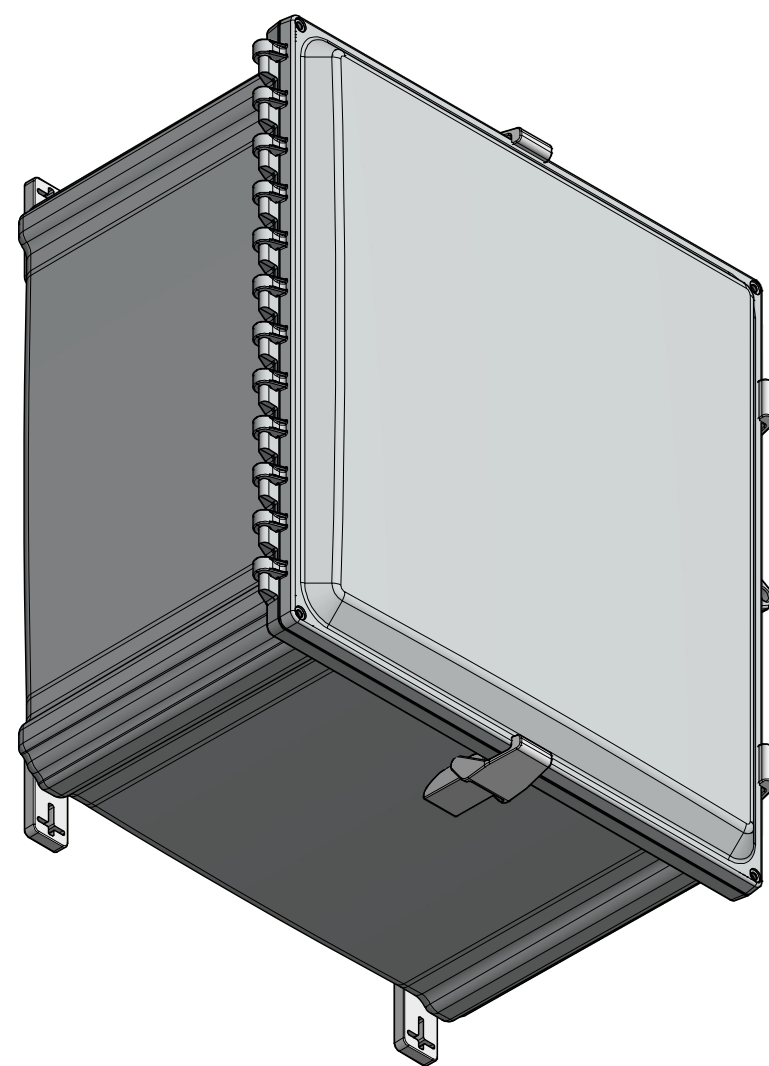
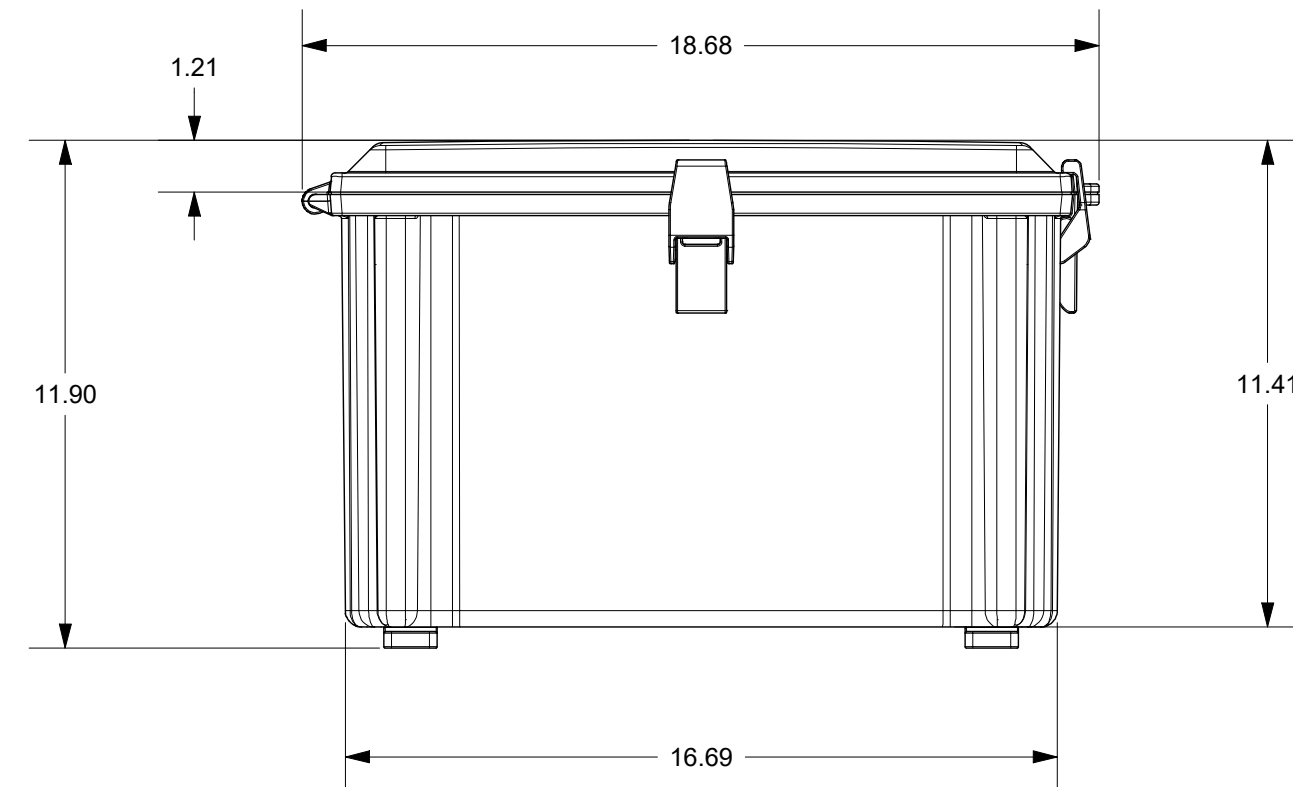
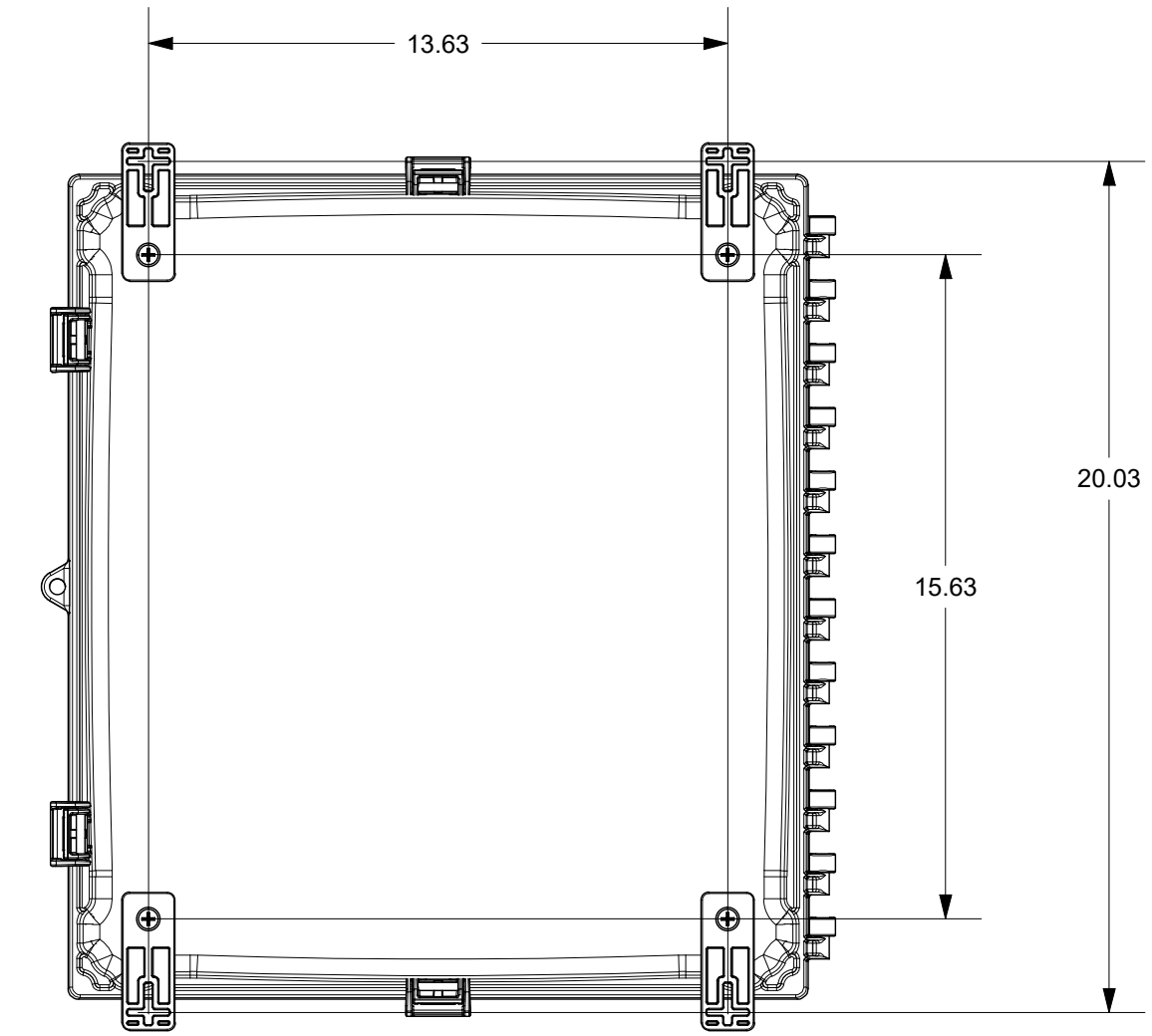
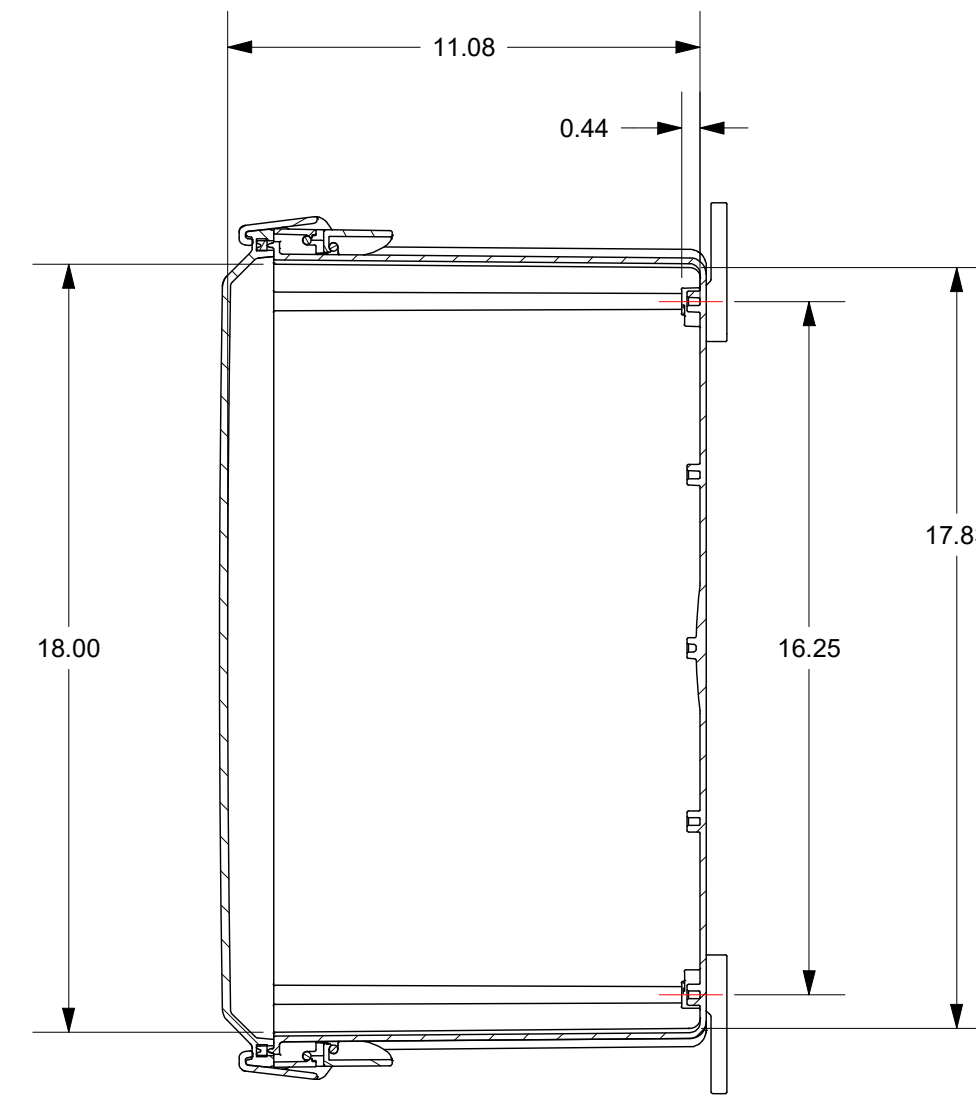
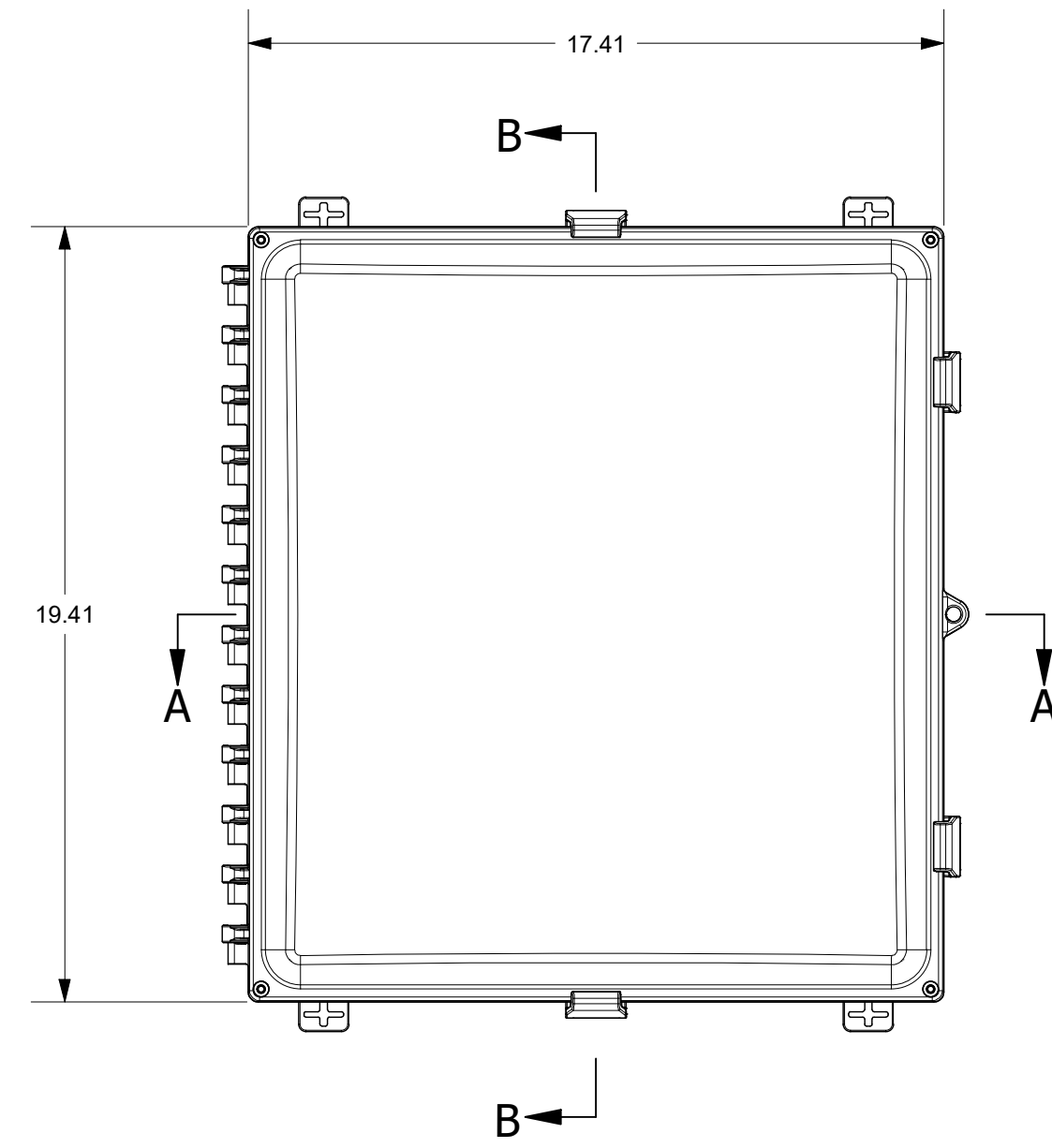
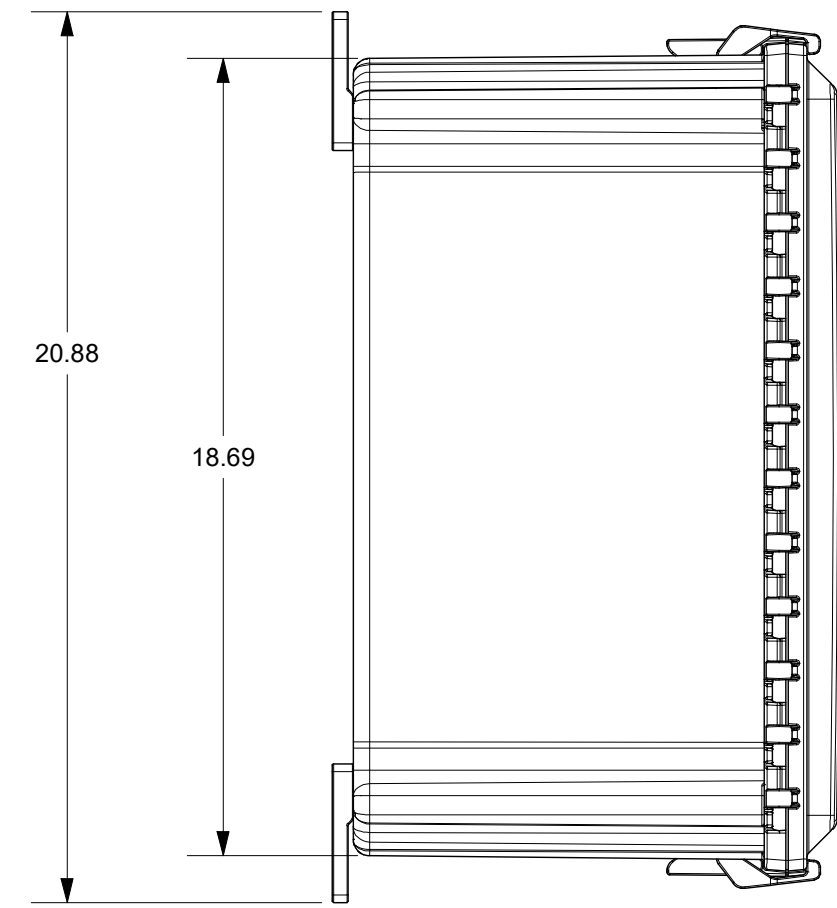


FOR REFERENCE ONLY  
MOUNTING FEET SHOWN AS INSTALLED



THIS DRAWING IS THE SOLE AND EXCLUSIVE PROPERTY OF ROBROY ENCLOSURES. NO PART OF THIS DRAWING MAY BE REPRODUCED, DISTRIBUTED, OR PUBLICALLY DISPLAYED IN ANY FORM OR BY ANY MEANS WITHOUT THE EXPRESS WRITTEN PERMISSION OF ROBROY ENCLOSURES. ALL RIGHTS RESERVED. UNDER THE COPYRIGHT LAWS. COPYRIGHT © 2016 ROBROY ENCLOSURES.

**SPECIAL REQUIREMENTS**  
 1. (1) ACCESSORY KIT (WPPCACKKIT) SHALL BE PACKAGED LOOSELY INSIDE ENCLOSURE  
 HARDWARE INCLUDED:  
 - (4) #14-20 x 1/2 FLAT HEAD PHILLIPS MACHINE SCREW (RMSC114-20X.5FLPH)  
 - (4) #10-32 x 5/8 PAN HEAD PHILLIPS MACHINE SCREW (RMSC10/32X5/8SS)  
 - (4) #10-32 x 3/8 PAN HEAD SCREW (RMSC10/32X3/8ZN)  
 - (4) #10 WASHER (RMWAS10ZN)  
 2. (1) STYROFOAM SHEET SHALL BE PLACED ON TOP OF COVER INSIDE CARTON

NEMA 250: TYPE 1, 3R, 4, 4X, 12  
 IEC 60529: IP66  
 COLOR: N/A  
 COLOR STANDARD: PANTONE 7541 C

STANDARD P/N: AH181610  
 CUSTOMER DWG:

ALL DIMENSIONS ARE IN INCHES  
 UNLESS OTHERWISE SPECIFIED

TOLERANCES  
 UNLESS SPECIFIED .XX .XXX  
 ± 0.03 ± 0.010

MATERIAL: POLYCARBONATE			
REVISION HISTORY			
REV	DESCRIPTION	DATE	ENG
-	-	-	-
-	-	-	-
-	-	-	-
-	-	-	-
-	-	-	-
-	-	-	-



**Robroy Enclosures**  
 500 Maple Street  
 Belding, Michigan 48809  
 Phone: 616-794-0700  
 Fax: 616-749-3378

DRAWN BY AJC	DATE 11/23/16	CUSTOMER	DWG AH181610
SCALE DO NOT SCALE	DESCRIPTION STANDARD ENCLOSURE	PART NUMBER ATAH181610	