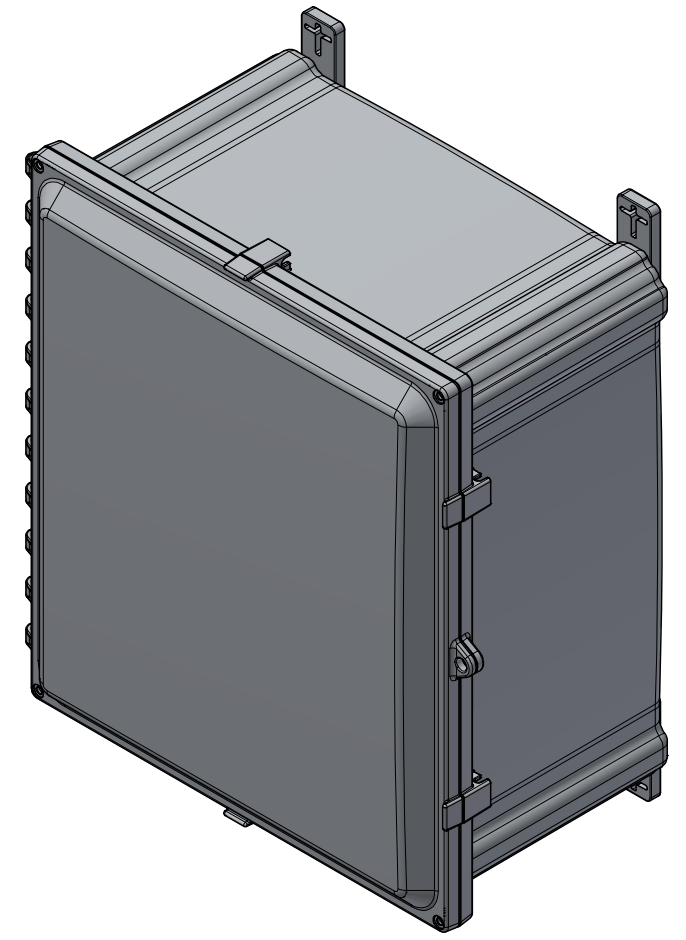
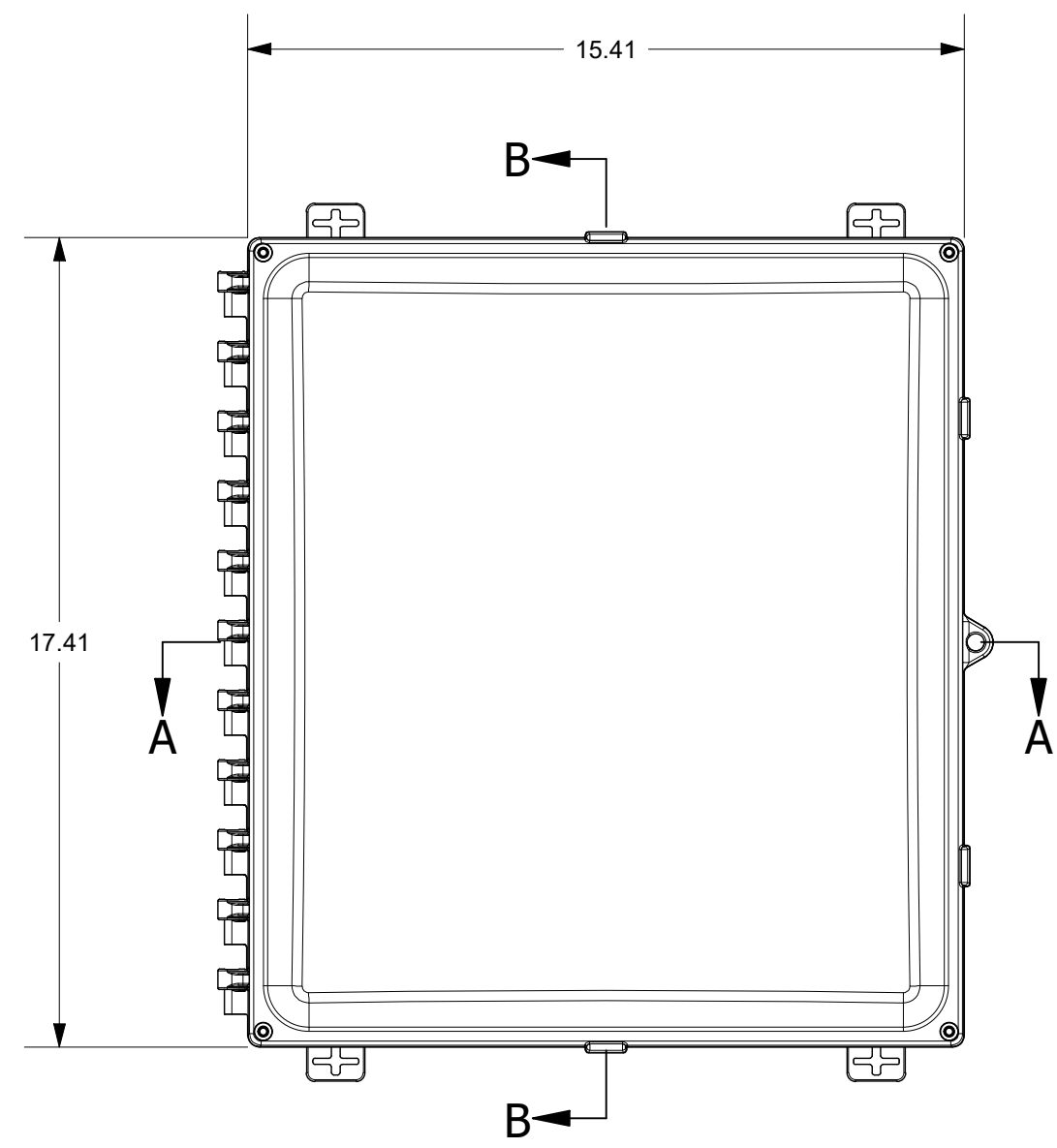
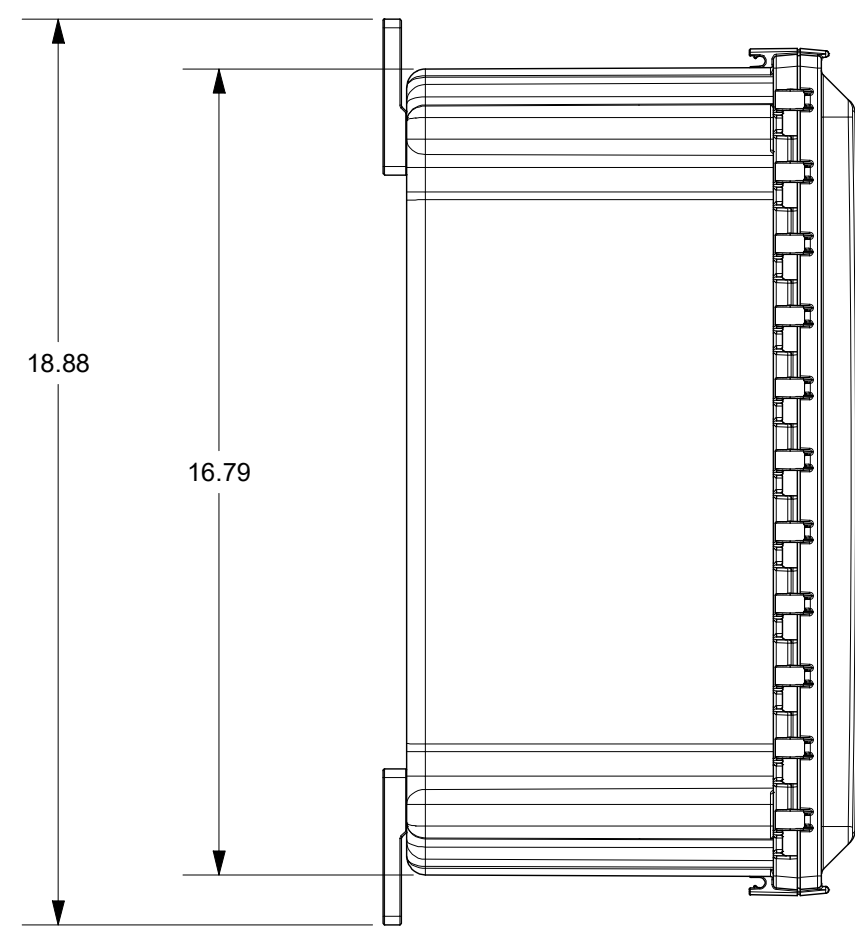


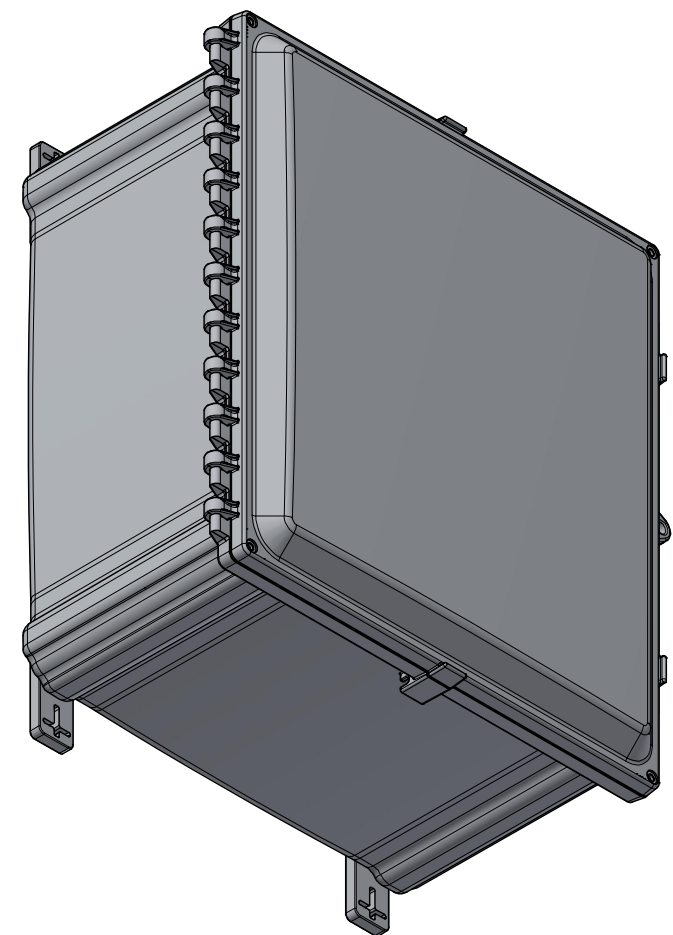
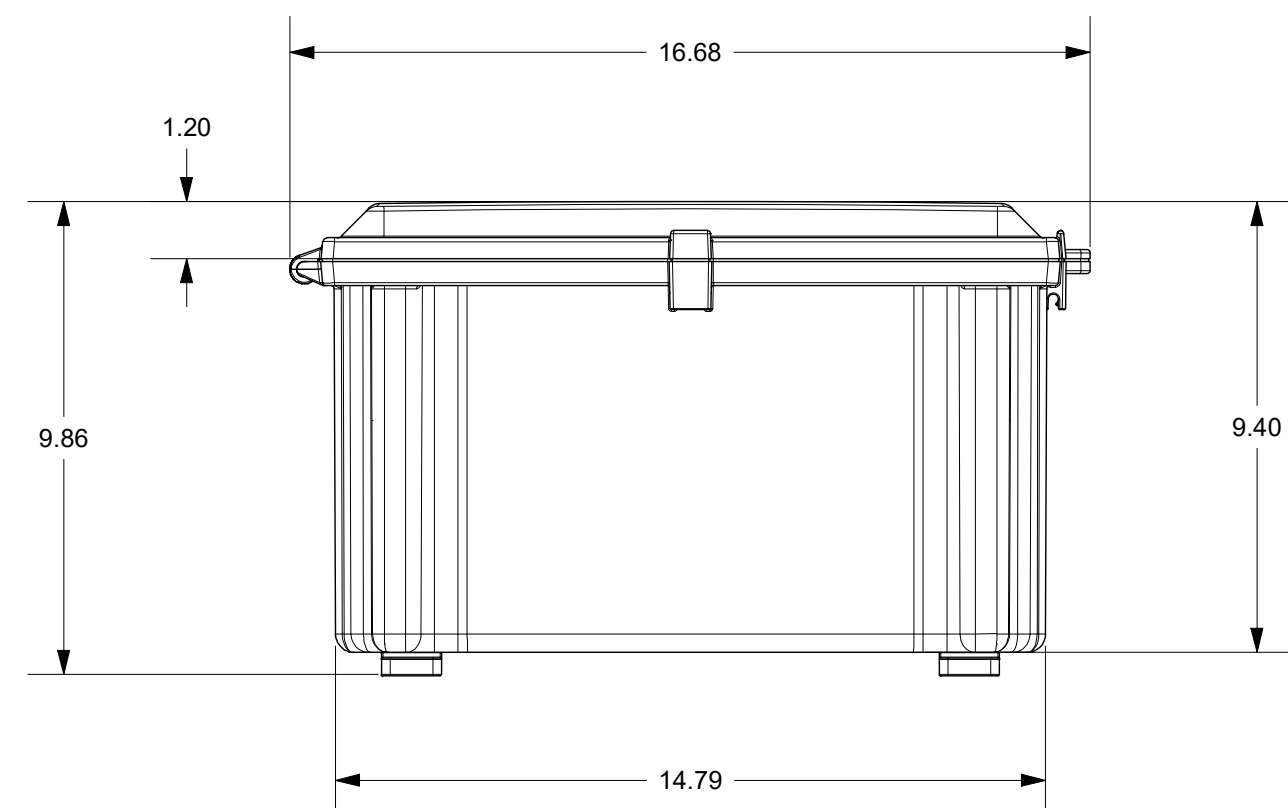
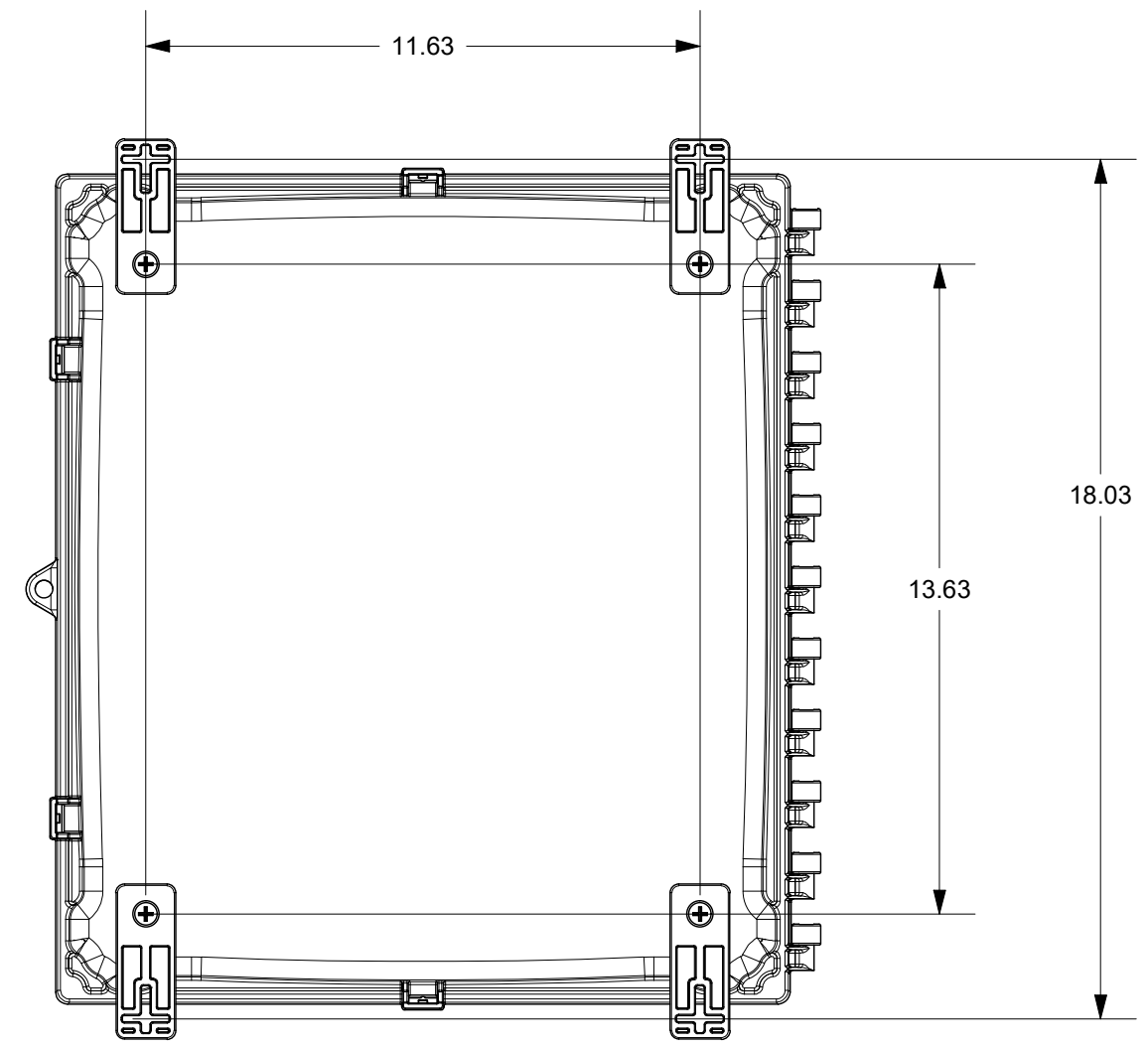
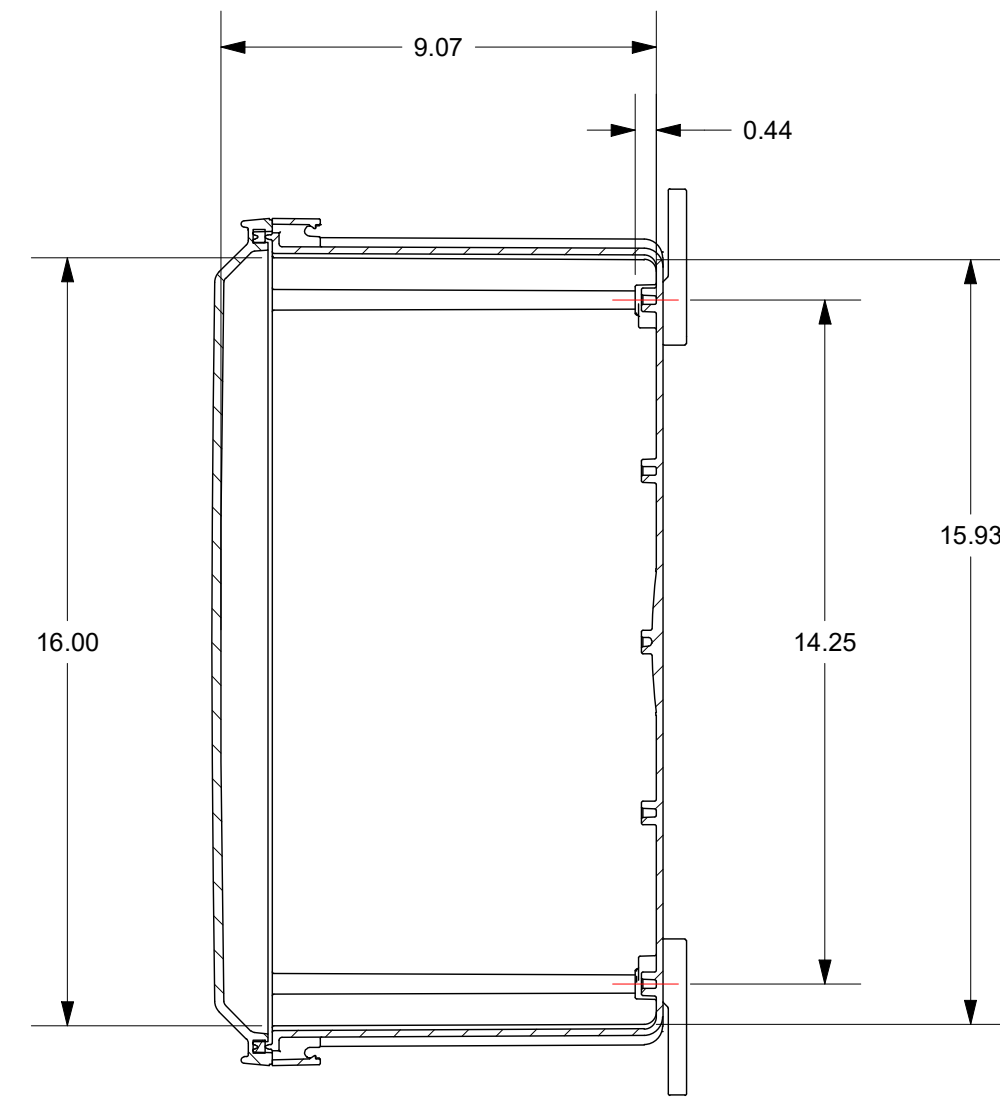
SECTION A-A



FOR REFERENCE ONLY
MOUNTING FEET SHOWN AS INSTALLED




SECTION B-B



THIS DRAWING IS THE SOLE AND EXCLUSIVE PROPERTY OF ROBROY ENCLOSURES. NO PART OF THIS DRAWING MAY BE REPRODUCED, DISTRIBUTED, OR PUBLICALLY DISPLAYED IN ANY FORM OR BY ANY MEANS WITHOUT THE EXPRESS WRITTEN PERMISSION OF ROBROY ENCLOSURES. ALL RIGHTS RESERVED. UNDER THE COPYRIGHT LAWS. COPYRIGHT © 2023 ROBROY ENCLOSURES.

SPECIAL REQUIREMENTS
ASSEMBLY:
 1. LATCHES NOT REQUIRED
 2. (1) ACCESSORY KIT (WPPCACCKIT) SHALL BE PACKAGED LOOSELY INSIDE ENCLOSURE
 3. (1) STYROFOAM SHEET SHALL BE PLACED ON TOP OF COVER INSIDE CARTON

NEMA 250: TYPE 1, 3R, 4, 4X, 6P 12 IEC 60529: IP66, IP68		STANDARD P/N: AH16148HW	ALL DIMENSIONS ARE IN INCHES UNLESS OTHERWISE SPECIFIED		TOLERANCES UNLESS SPECIFIED	.XX ± 0.03	.XXX ± 0.010
COLOR: N/A COLOR STANDARD: PANTONE 7541 C		CUSTOMER DWG:	A		 Robroy Enclosures 500 Maple Street Belding, Michigan 48809 Phone: 616-794-0700 Fax: 616-749-3378		
MATERIAL: POLYCARBONATE		REVISION HISTORY		DRAWN BY		DATE	
REV	DESCRIPTION	DATE	ENG	AA	11/22/23	CUSTOMER	
A	PER ECR17972: REMOVED MTL. FROM INNER GASKET SEALING LIP - CVR	09/22/20	AA	SCALE		PART NUMBER	
-	-	-	-	DO NOT SCALE		STANDARD ENCLOSURE	
-	-	-	-			ATAH16148HW	