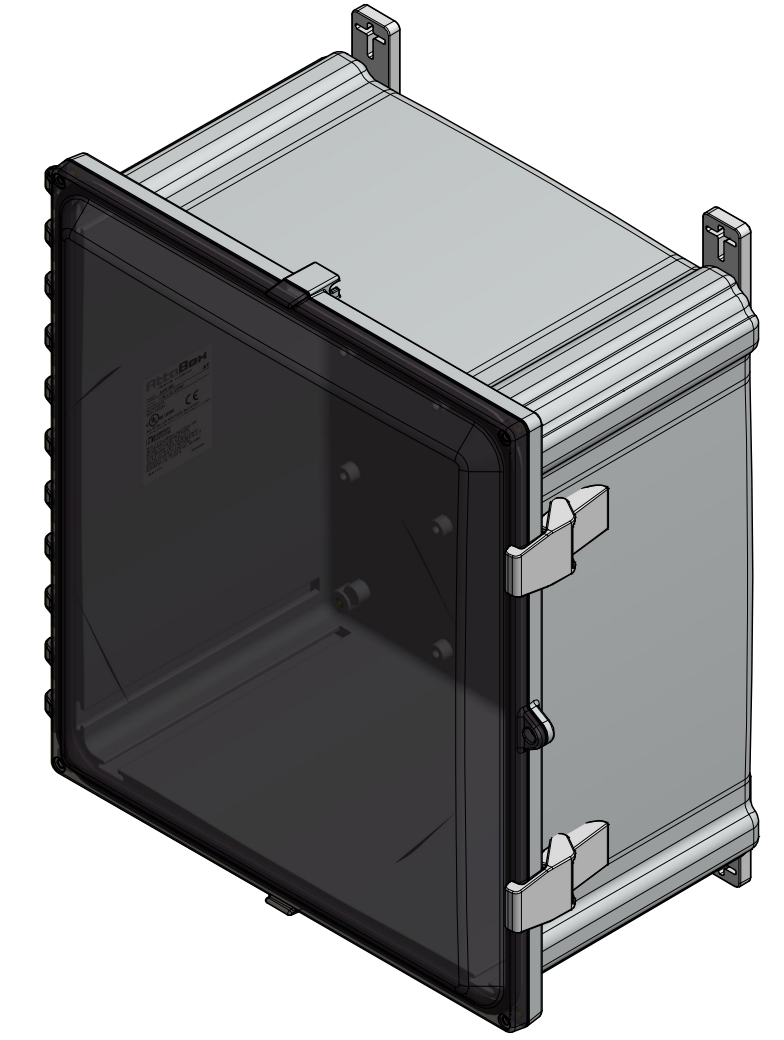
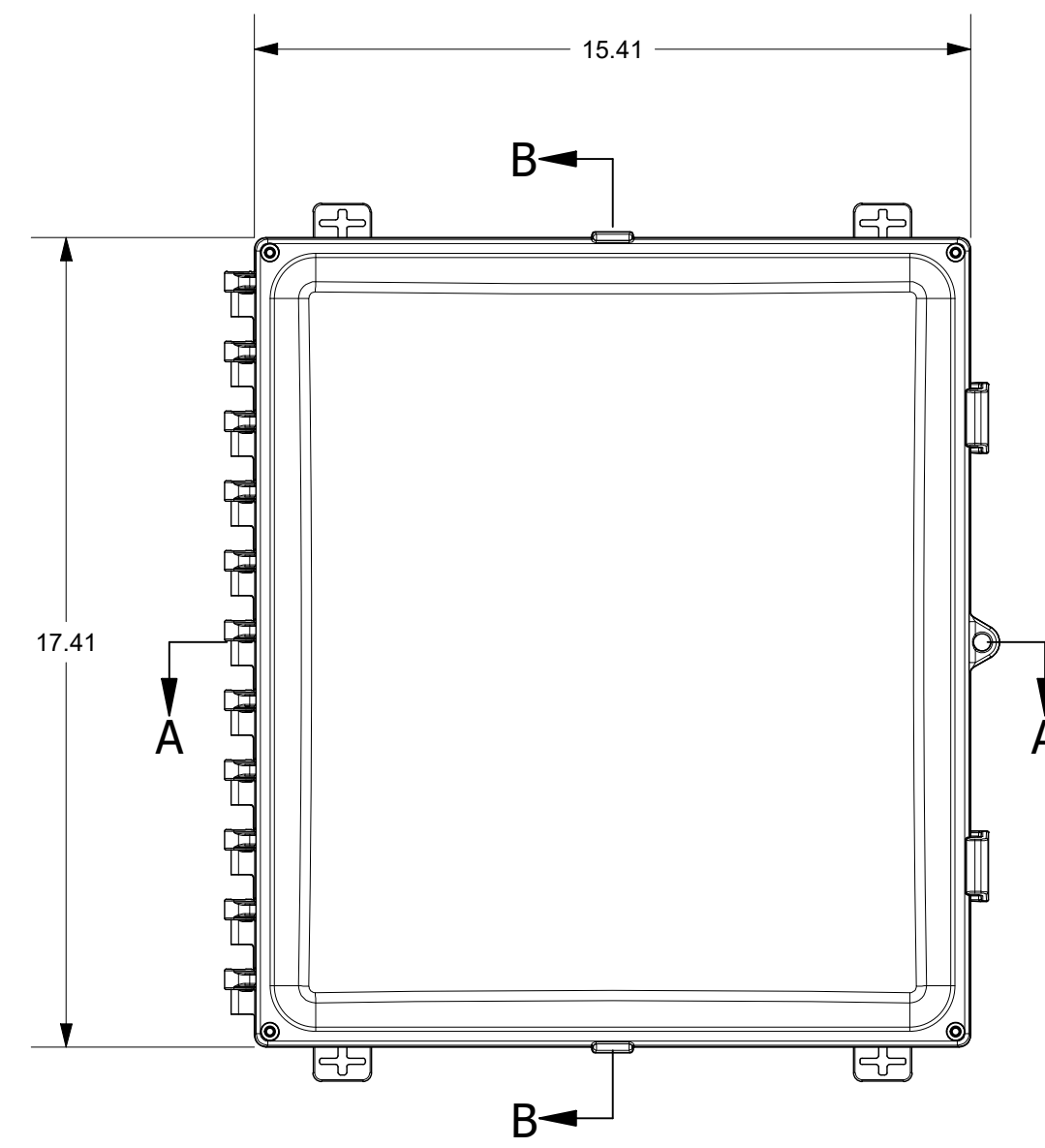
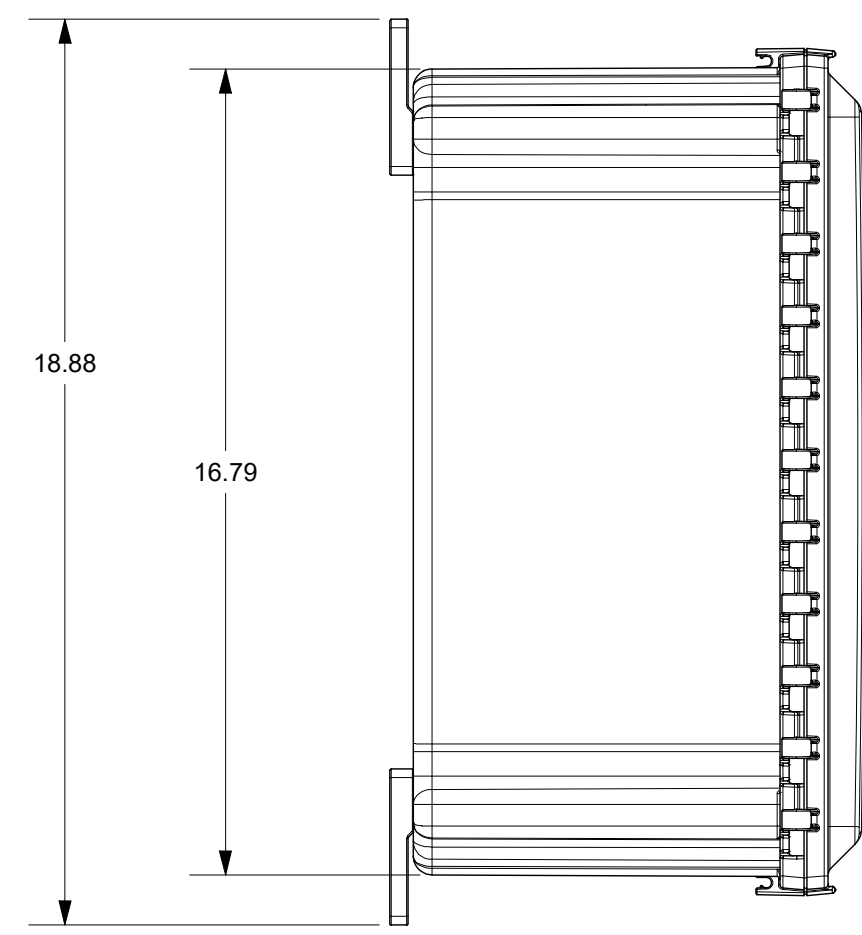


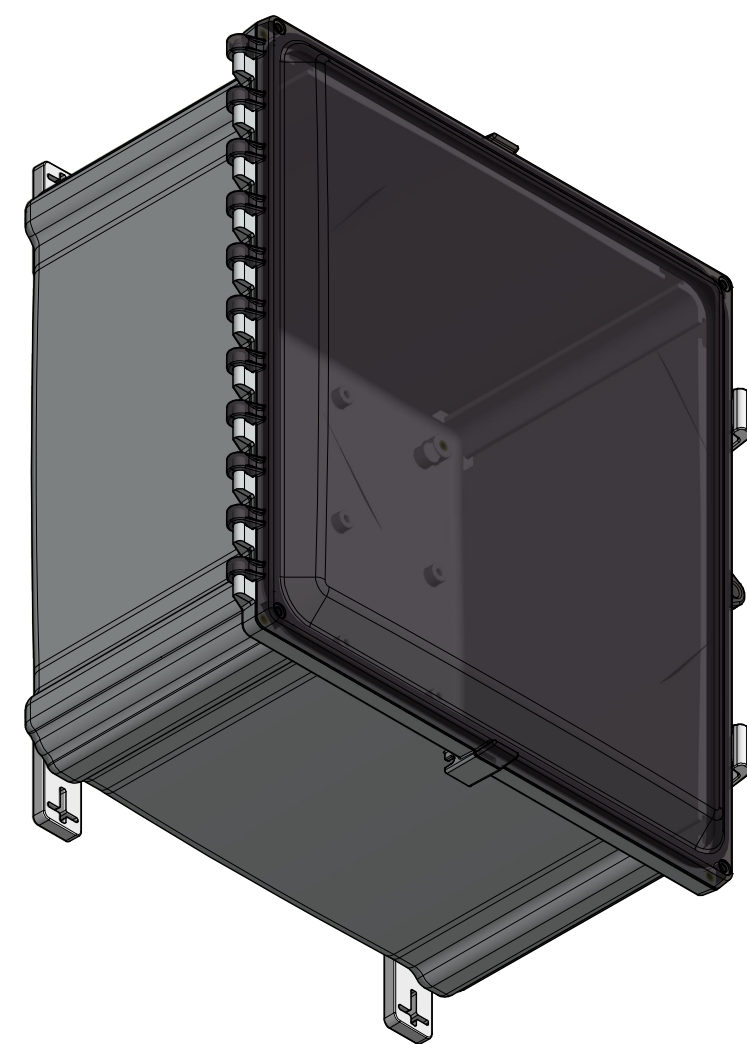
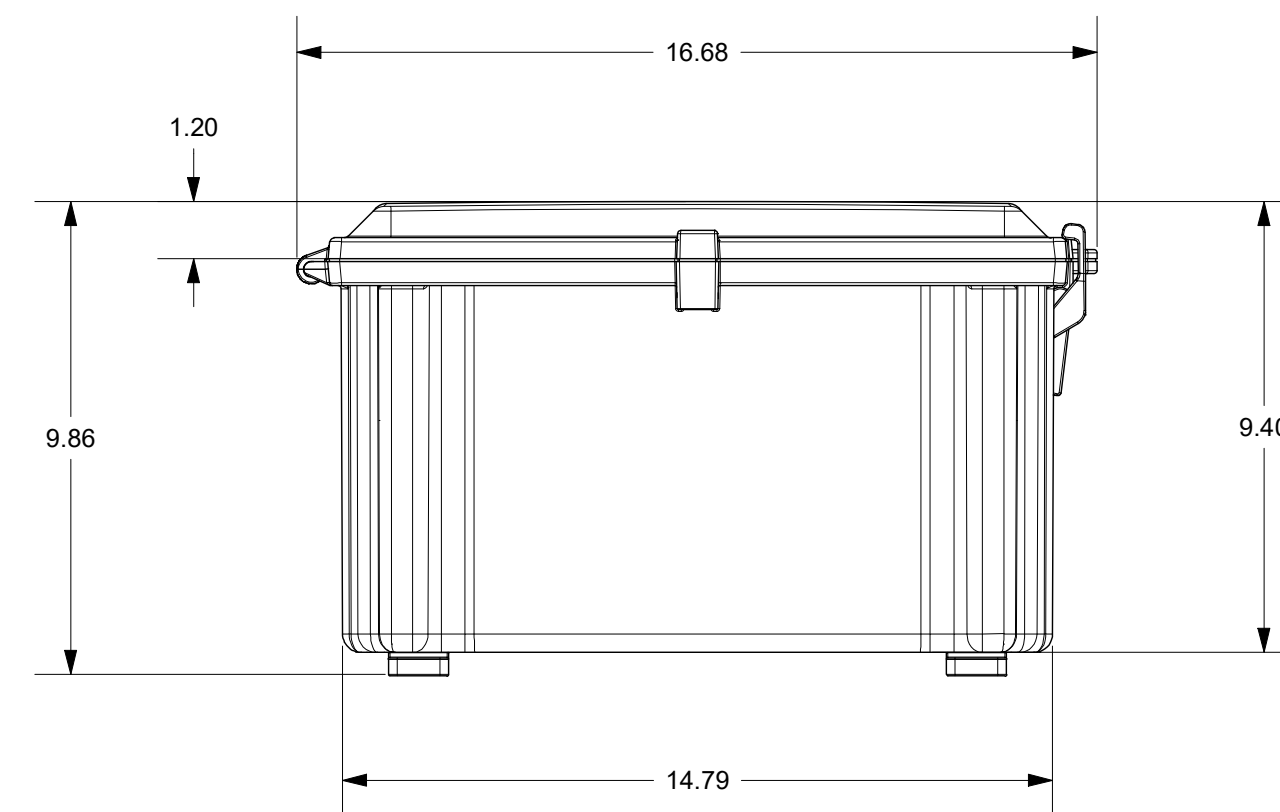
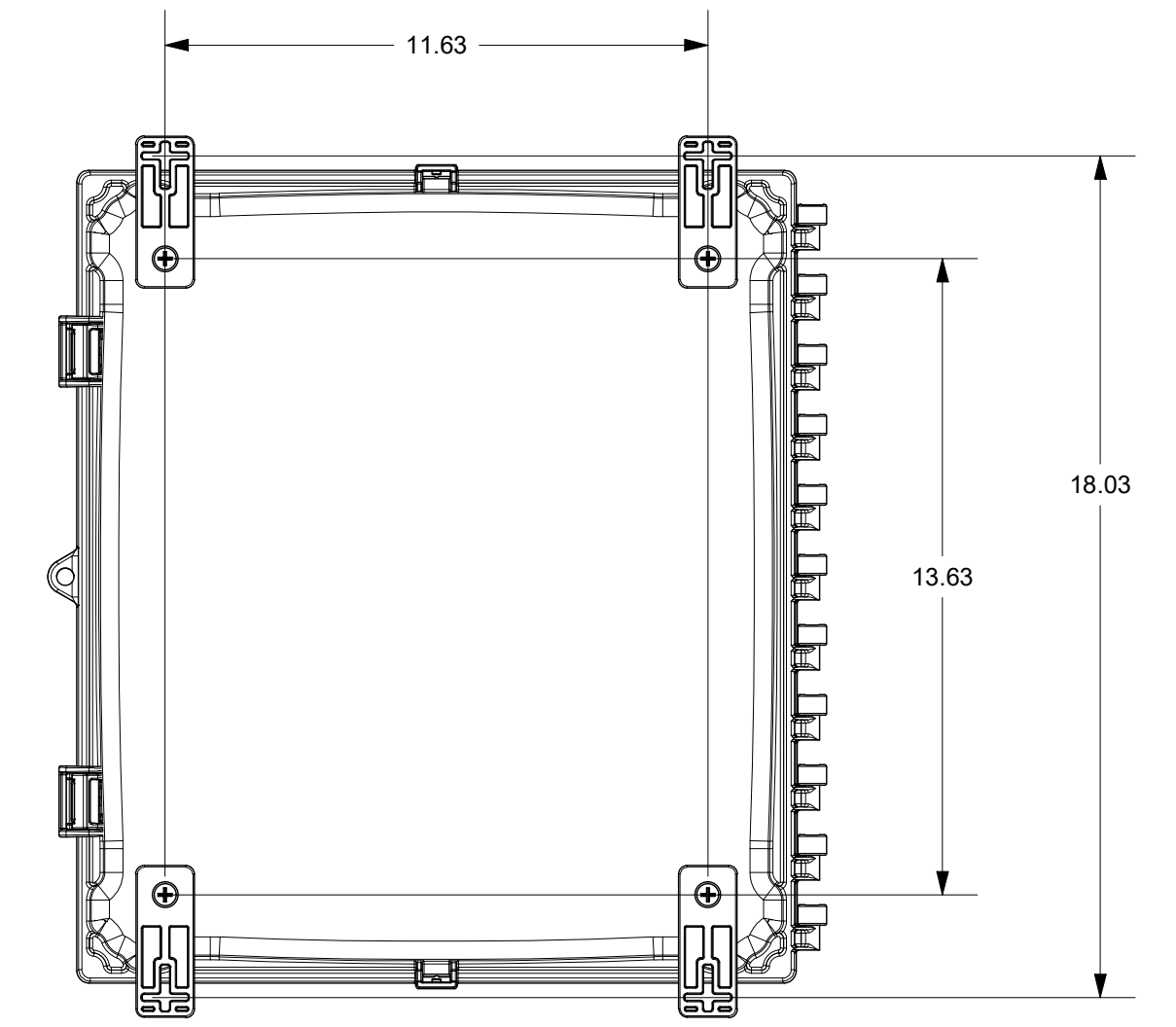
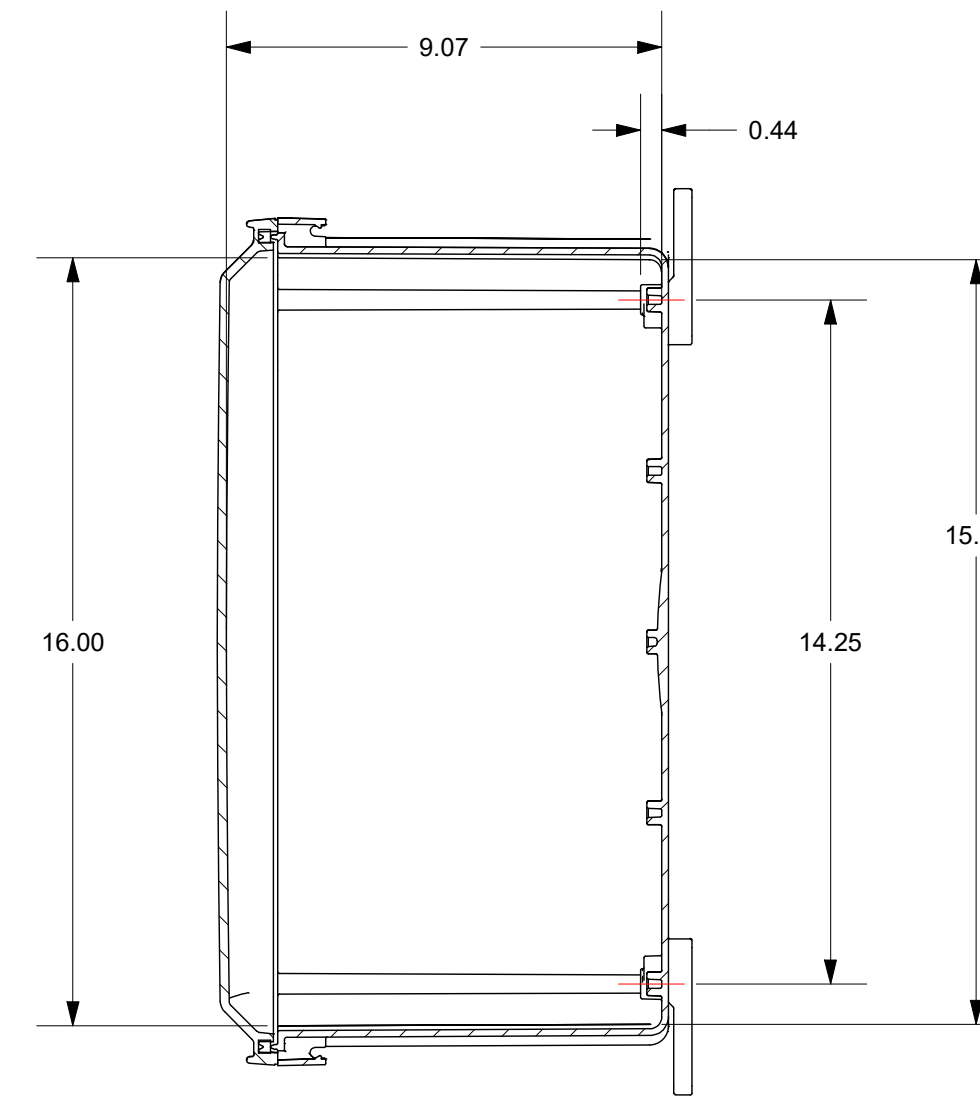
SECTION A-A



FOR REFERENCE ONLY
MOUNTING FEET SHOWN AS INSTALLED




SECTION B-B



THIS DRAWING IS THE SOLE AND EXCLUSIVE PROPERTY OF ROBROY ENCLOSURES. NO PART OF THIS DRAWING MAY BE REPRODUCED, DISTRIBUTED, OR PUBLICALLY DISPLAYED IN ANY FORM OR BY ANY MEANS WITHOUT THE EXPRESS WRITTEN PERMISSION OF ROBROY ENCLOSURES. ALL RIGHTS RESERVED. UNDER THE COPYRIGHT LAWS. COPYRIGHT © 2020 ROBROY ENCLOSURES

SPECIAL REQUIREMENTS			
ASSEMBLY:			
1. (1) ACCESSORY KIT (WPPCACKIT) SHALL BE PACKAGED LOOSELY INSIDE ENCLOSURE			
HARDWARE INCLUDED:			
- (4) #14-20 x 1/2 FLAT HEAD PHILLIPS MACHINE SCREW (RMSC114-20X.5FLPH)			
- (4) #10-32 x 5/8 PAN HEAD PHILLIPS MACHINE SCREW (RMSC10/32X5/8SS)			
- (4) #10-32 x 3/8 PAN HEAD SCREW (RMSC10/32X3/8ZN)			
- (4) #10 WASHER (RMWAS10ZN)			
2. (1) STYROFOAM SHEET SHALL BE PLACED ON TOP OF COVER INSIDE CARTON			

NEMA 250: TYPE 1, 3R, 4, 4X, 12 IEC 60529: IP66	STANDARD P/N: AH16148C	ALL DIMENSIONS ARE IN INCHES UNLESS OTHERWISE SPECIFIED	TOLERANCES UNLESS SPECIFIED	.XX ± 0.03	.XXX ± 0.010
COLOR: N/A COLOR STANDARD: PANTONE 7541 C	CUSTOMER DWG:	 AttaBox A ROBROY ENCLOSURES™ BRAND			
MATERIAL: POLYCARBONATE					
REVISION HISTORY		DRAWN BY	DATE	CUSTOMER	DWG
REV	DESCRIPTION				
A	PER ECR17972; REMOVED MTL. FROM INNER GASKET SEALING LIP	AJC	11/23/16		AH16148C
-	-	-	-	SCALE	PART NUMBER
-	-	-	-	DO NOT SCALE	STANDARD ENCLOSURE
-	-	-	-		ATAH16148C