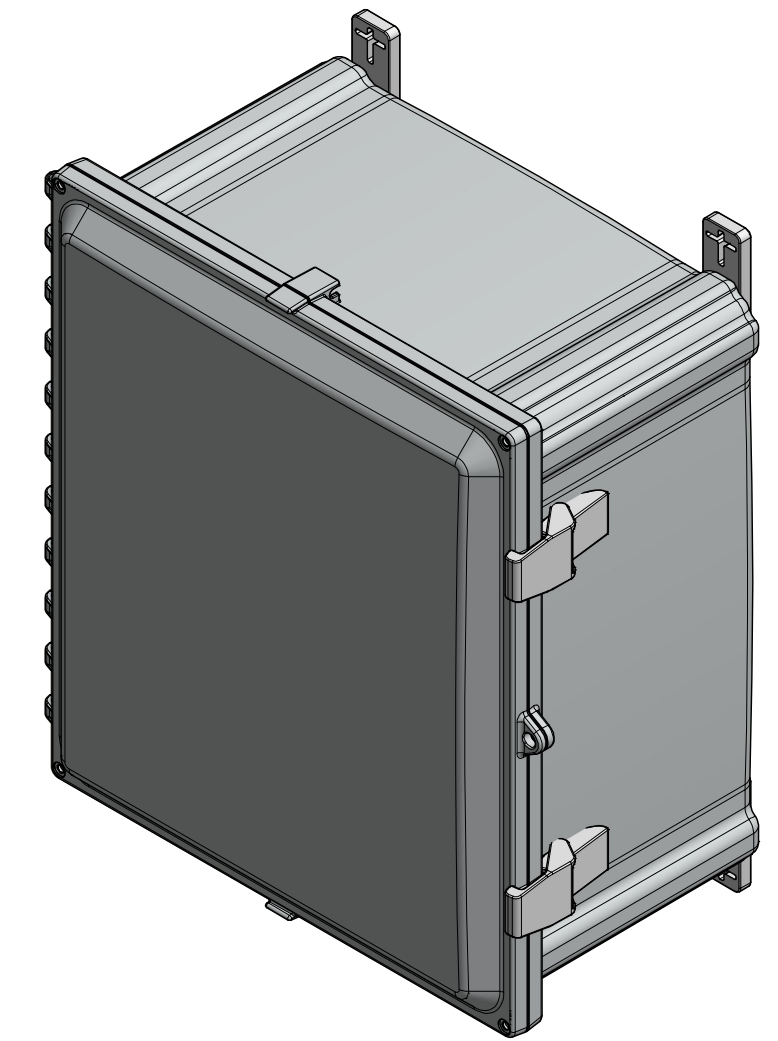
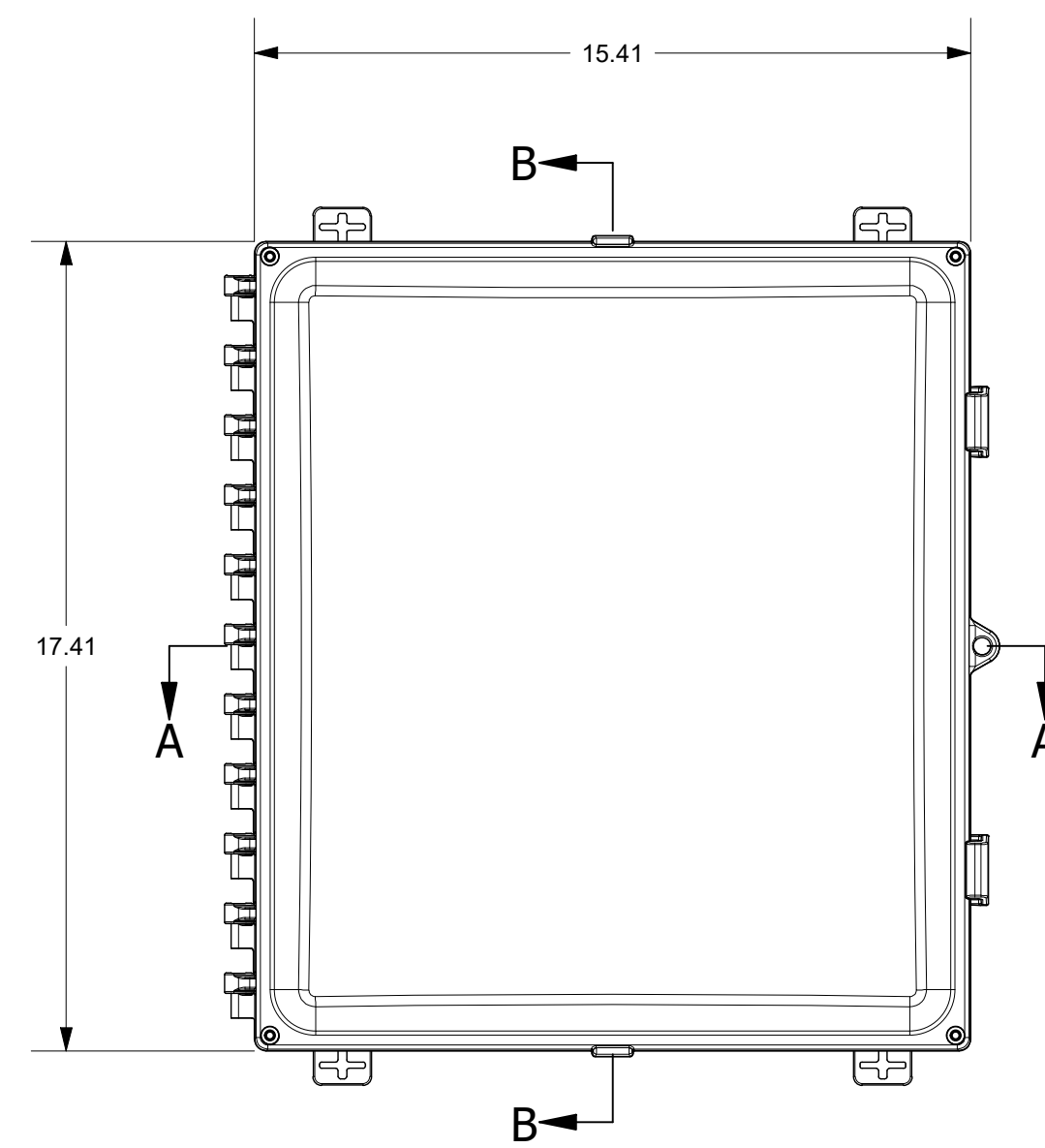
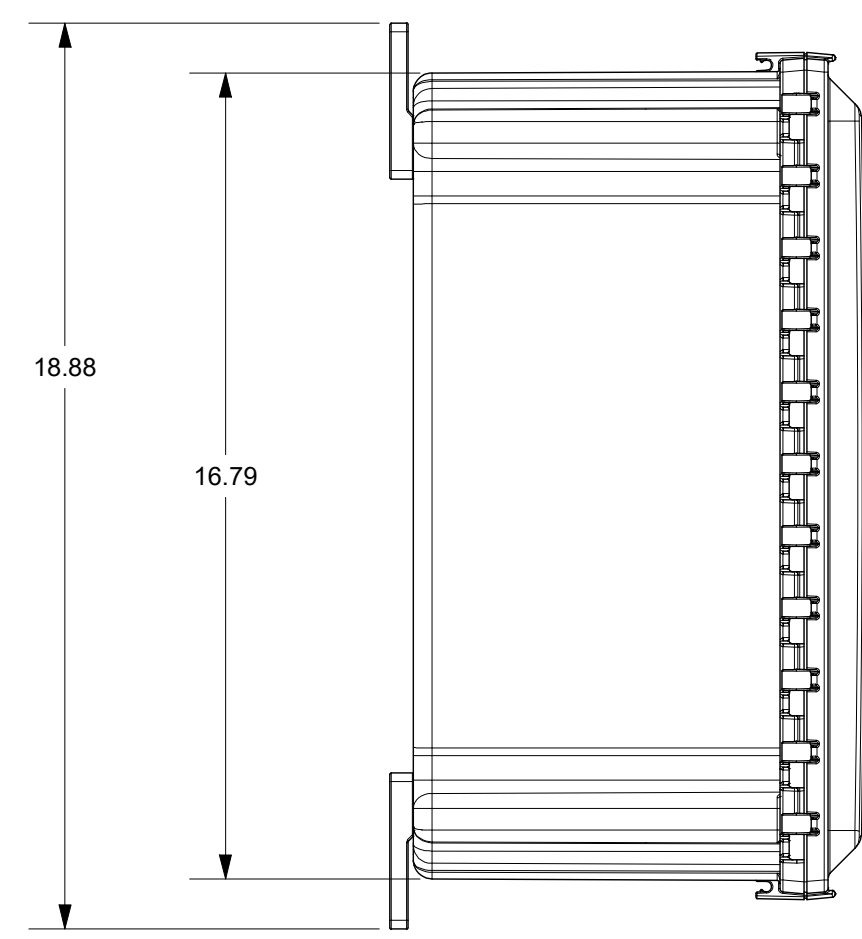


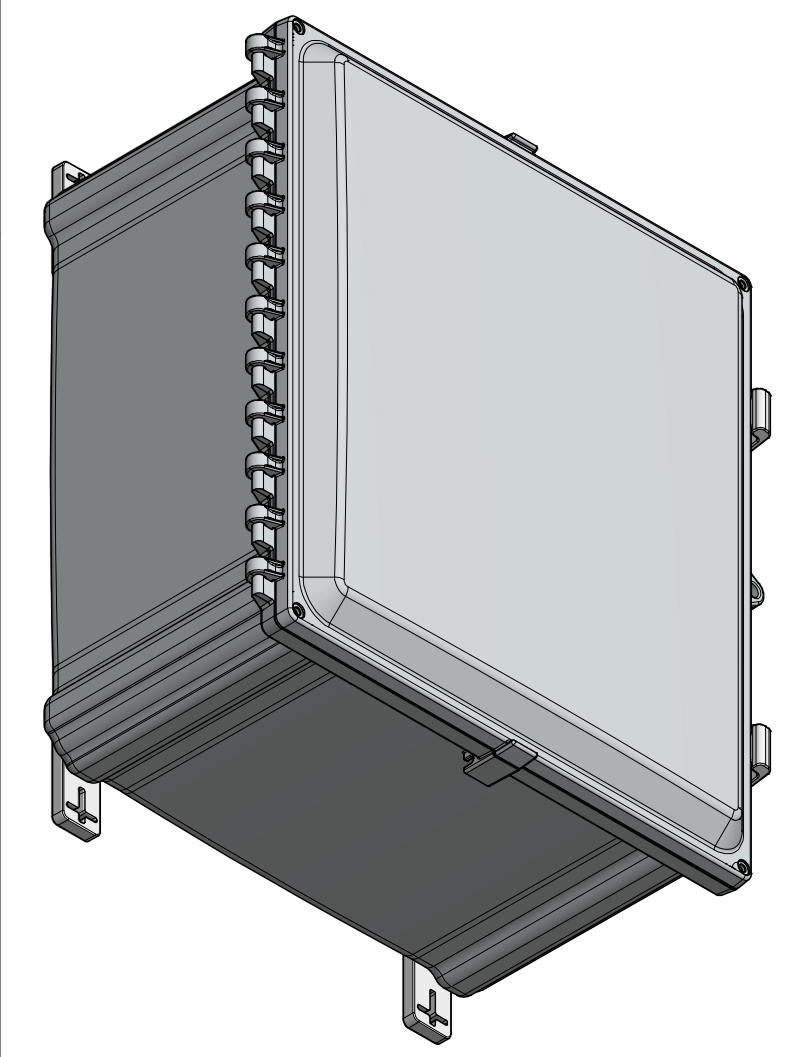
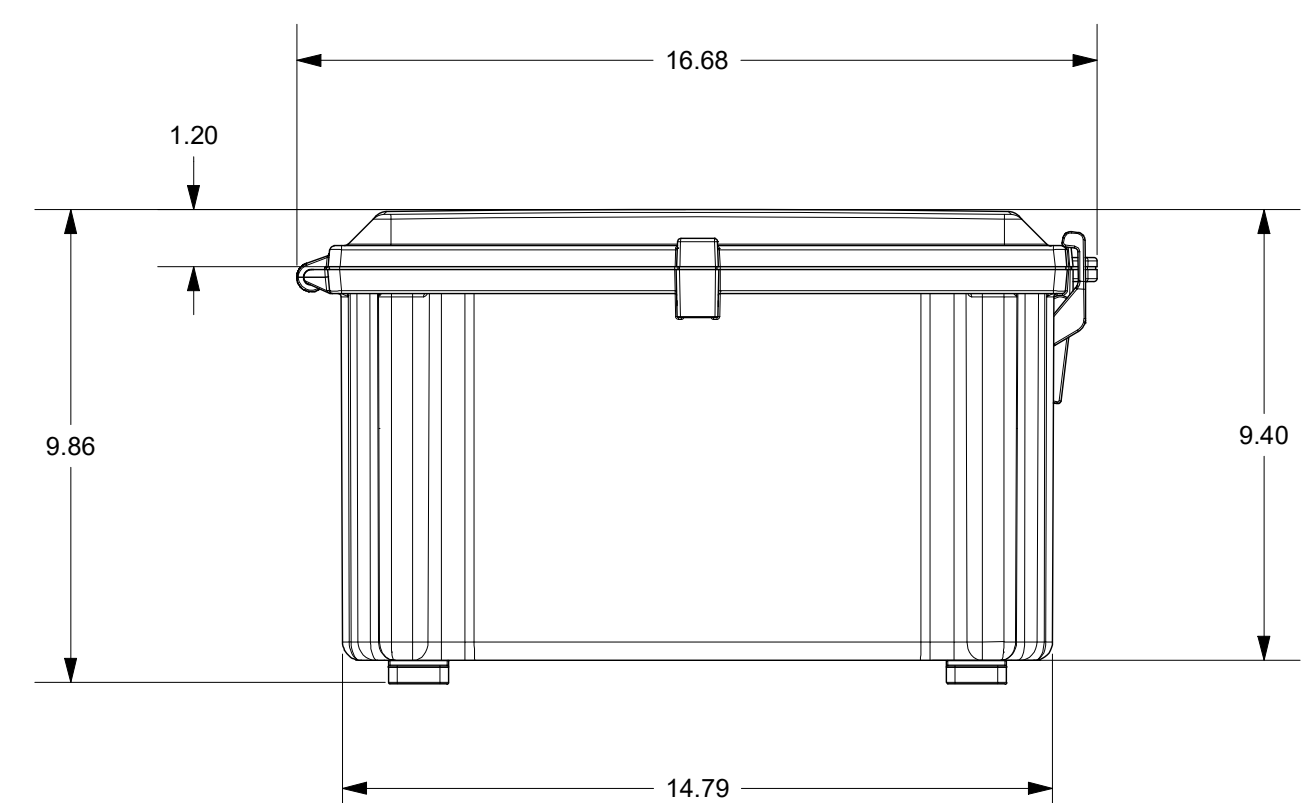
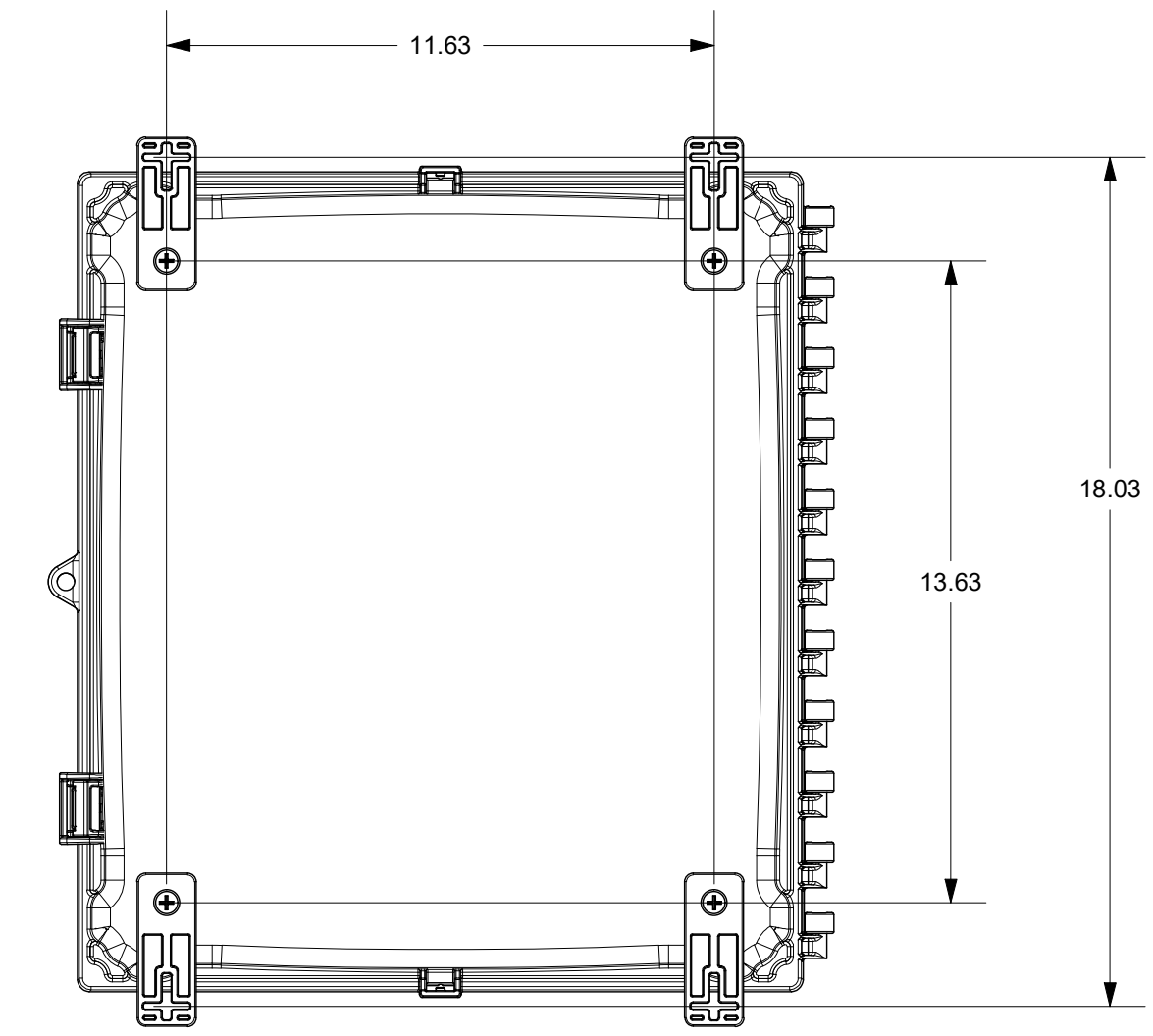
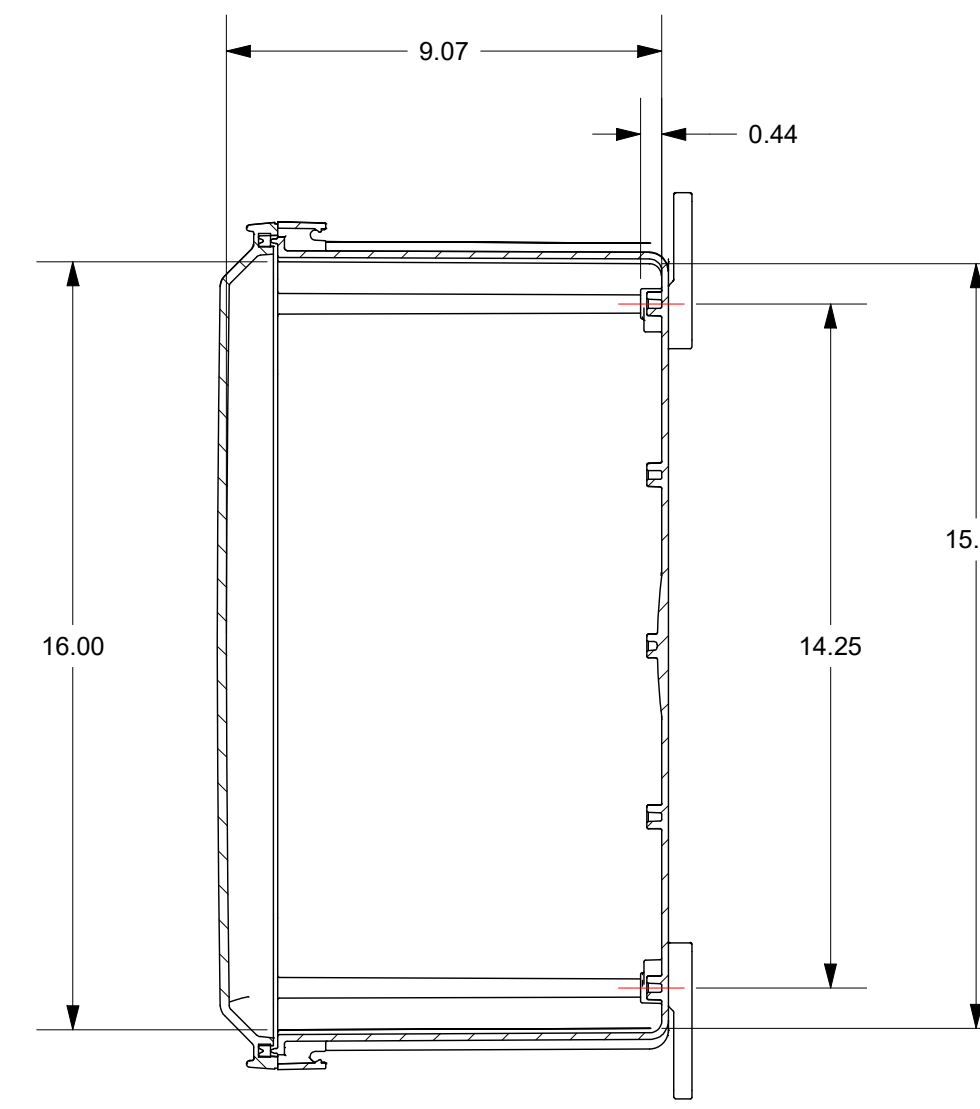
SECTION A-A



FOR REFERENCE ONLY
MOUNTING FEET SHOWN AS INSTALLED



SECTION B-B



THIS DRAWING IS THE SOLE AND EXCLUSIVE PROPERTY OF ROBROY ENCLOSURES. NO PART OF THIS DRAWING MAY BE REPRODUCED, DISTRIBUTED, OR PUBLICALLY DISPLAYED IN ANY FORM OR BY ANY MEANS WITHOUT THE EXPRESS WRITTEN PERMISSION OF ROBROY ENCLOSURES. ALL RIGHTS RESERVED. UNDER THE COPYRIGHT LAWS. COPYRIGHT © 2020 ROBROY ENCLOSURES.

SPECIAL REQUIREMENTS
ASSEMBLY:
 1 (1) ACCESSORY KIT (WPPCACKIT) SHALL BE PACKAGED LOOSELY INSIDE ENCLOSURE
 HARDWARE INCLUDED:
 - (4) #14-20 x 1/2 FLAT HEAD PHILLIPS MACHINE SCREW (RMSC114-20X.5FLPH)
 - (4) #10-32 x 5/8 PAN HEAD PHILLIPS MACHINE SCREW (RMSC10132X5/8SS)
 - (4) #10-32 x 3/8 PAN HEAD SCREW (RMSC10132X3/8ZN)
 - (4) #10 WASHER (RMWAS10ZN)
 2 (1) STYROFOAM SHEET SHALL BE PLACED ON TOP OF COVER INSIDE CARTON

NEMA 250: TYPE 1, 3R, 4, 4X, 12 IEC 60529: IP66		STANDARD P/N: AH16148	ALL DIMENSIONS ARE IN INCHES UNLESS OTHERWISE SPECIFIED		TOLERANCES UNLESS SPECIFIED	.XX ± 0.03	.XXX ± 0.010
COLOR: N/A COLOR STANDARD: PANTONE 7541 C		CUSTOMER DWG:					
MATERIAL: POLYCARBONATE							
REVISION HISTORY							
REV	DESCRIPTION	DATE	ENG				
A	PER ECR17972; REMOVED MTL. FROM INNER GASKET SEALING LIP	09/22/20	AA				
-	-	-	-				
-	-	-	-				
-	-	-	-				
-	-	-	-				
				DRAWN BY	DATE	CUSTOMER	DWG
				AJC	11/23/16		AH16148
				SCALE	DESCRIPTION	PART NUMBER	
				DO NOT SCALE	STANDARD ENCLOSURE	ATAH16148	

