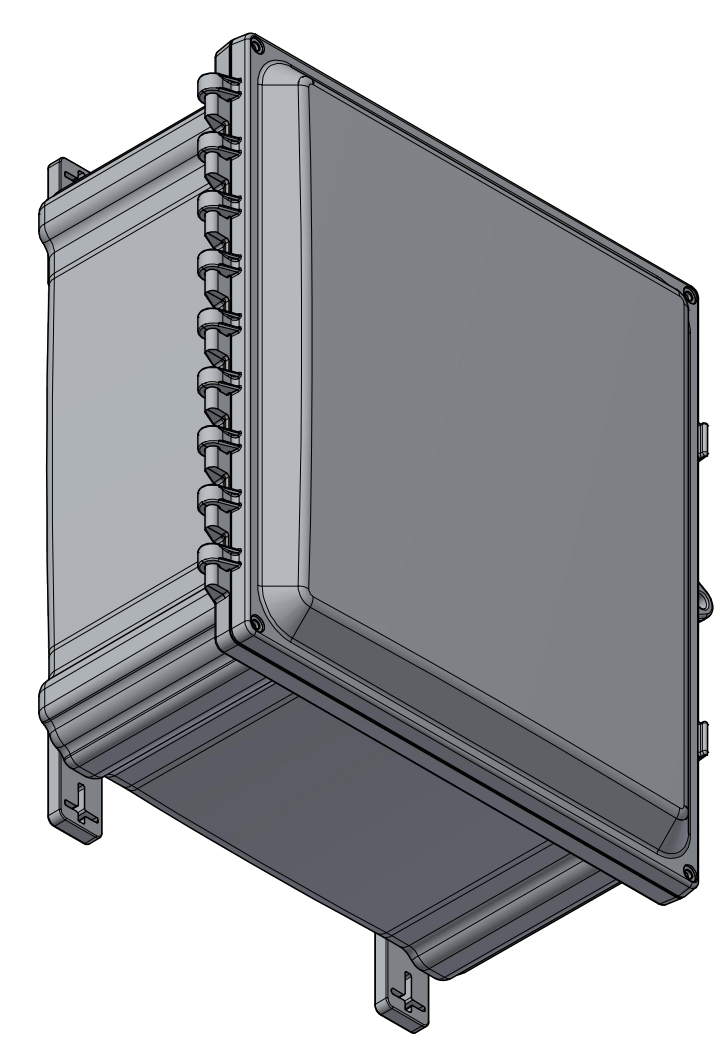
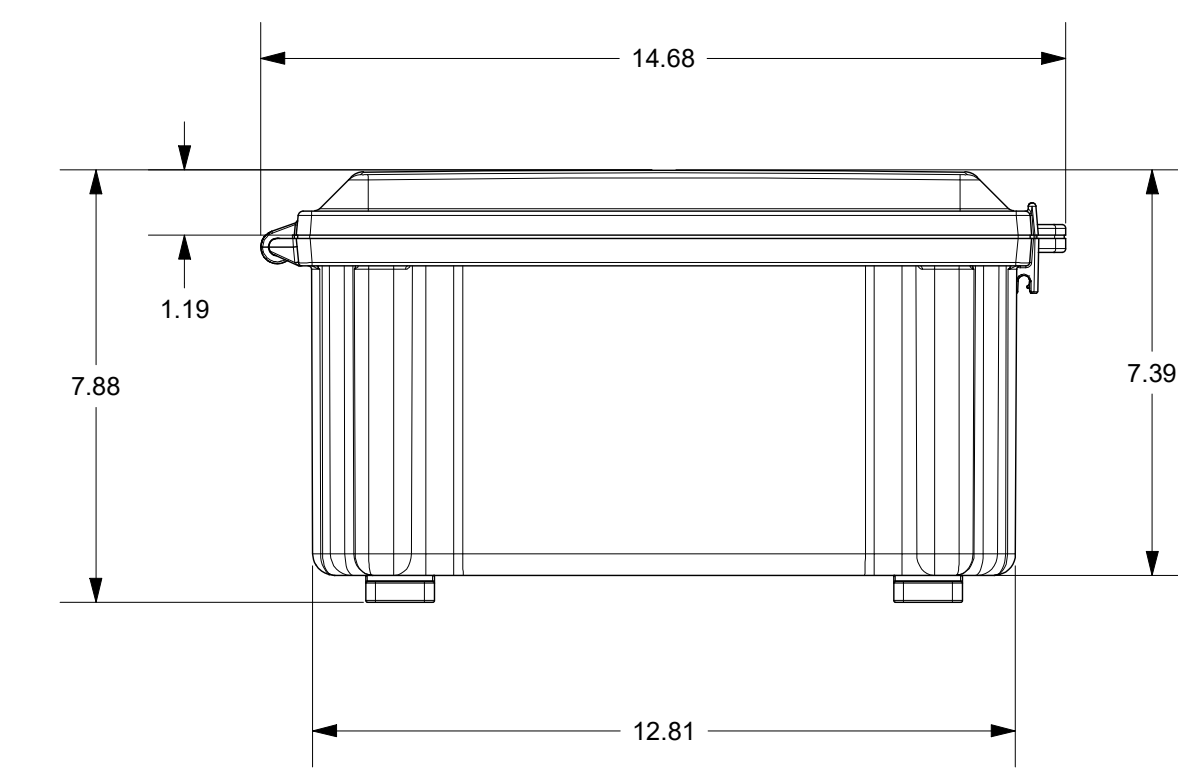
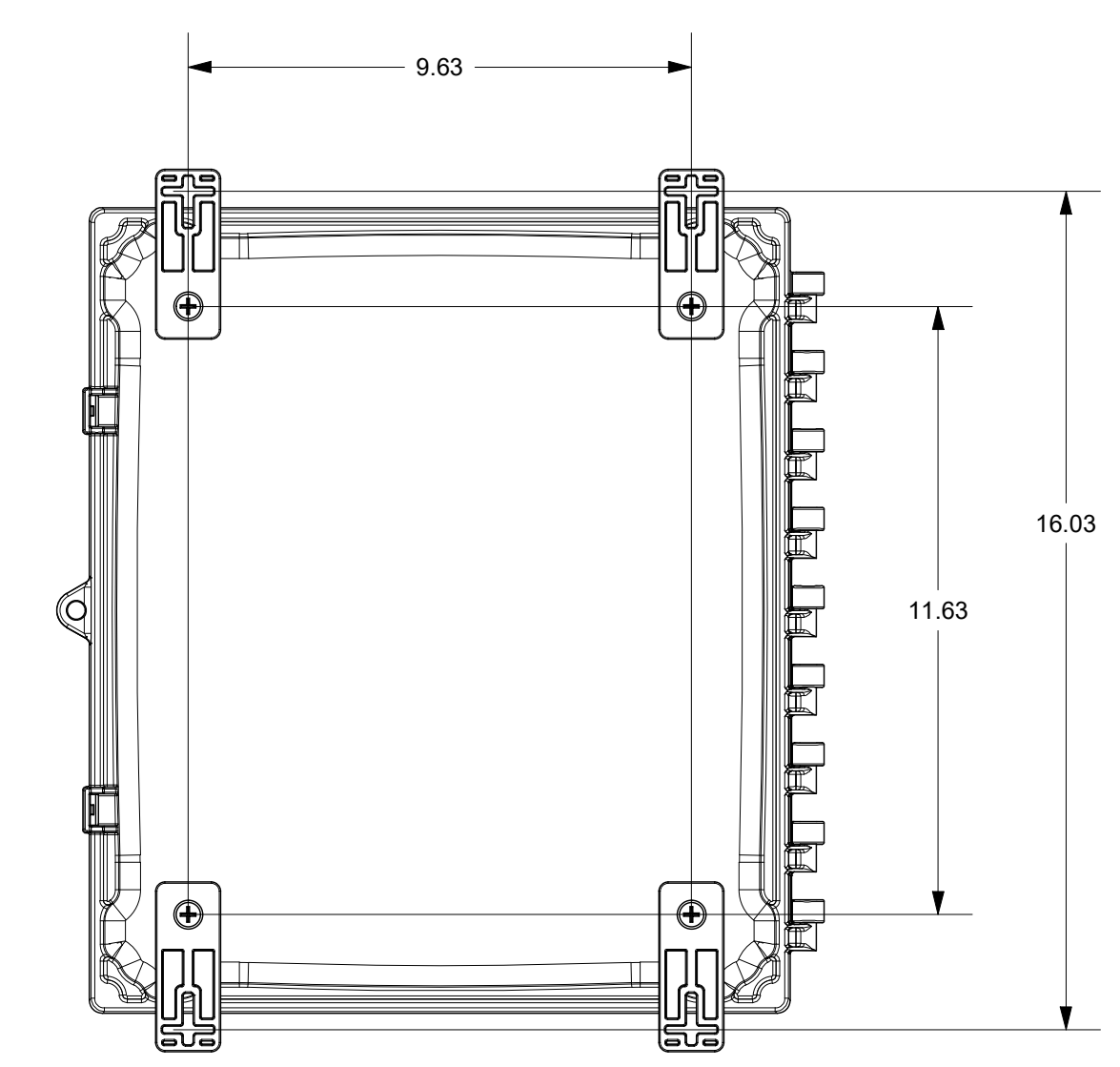
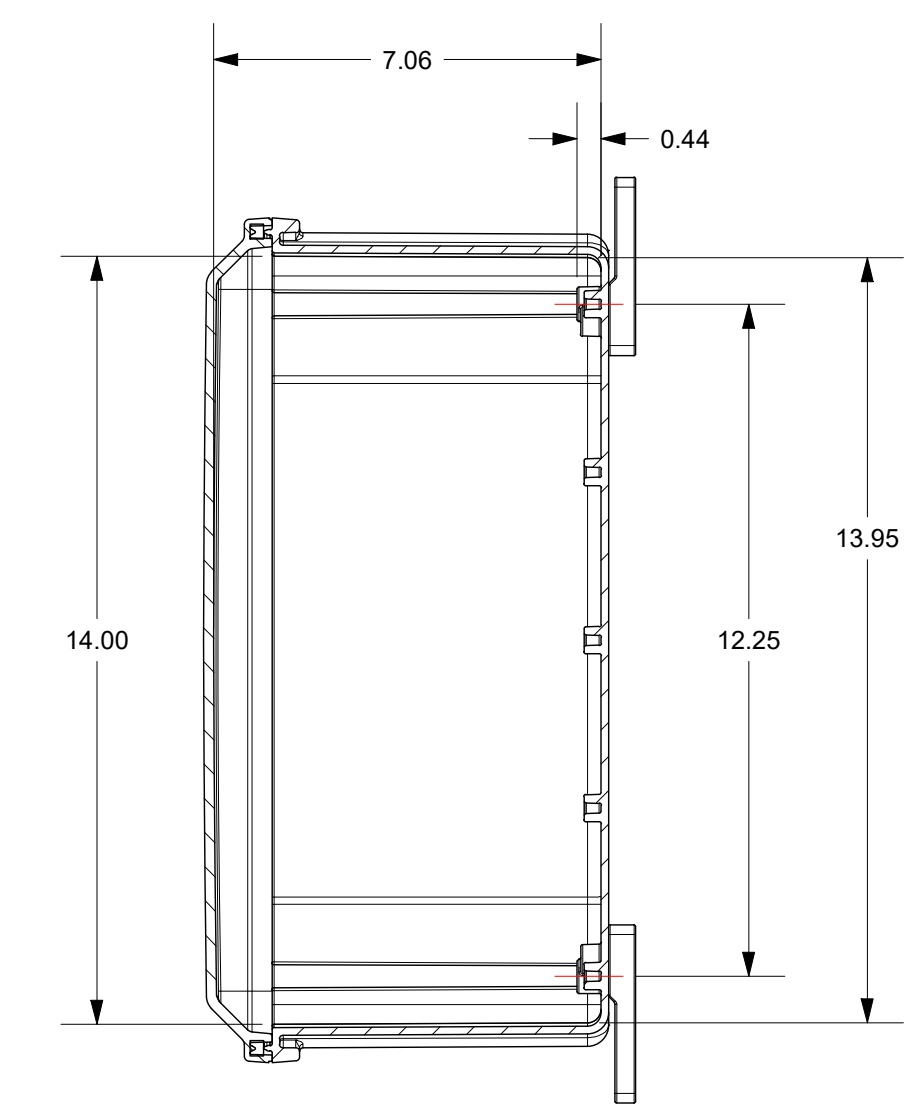
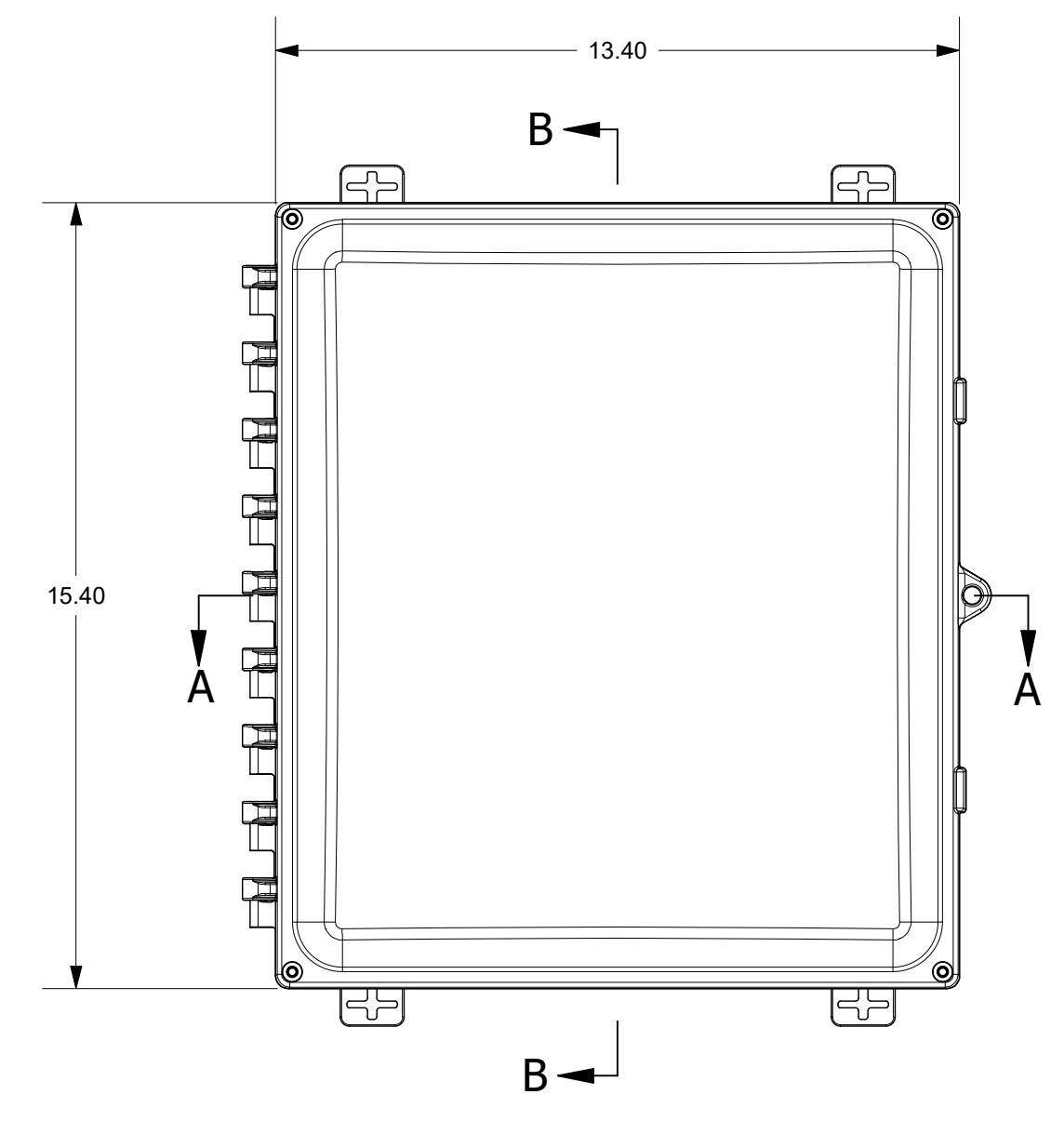
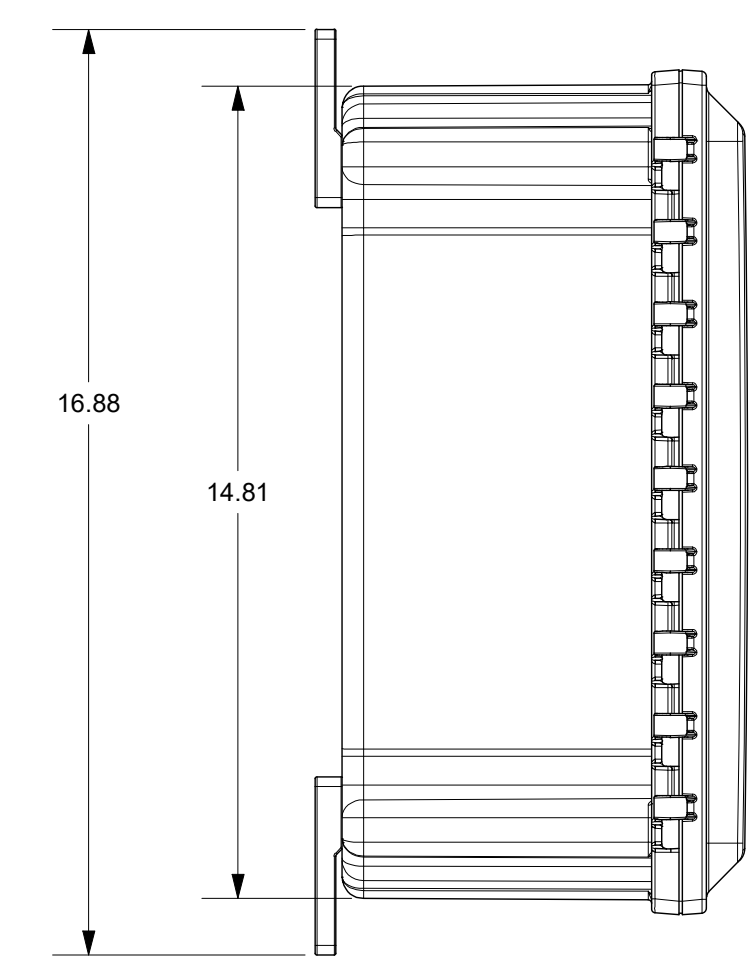


FOR REFERENCE ONLY
MOUNTING FEET SHOWN AS INSTALLED



THIS DRAWING IS THE SOLE AND EXCLUSIVE PROPERTY OF ROBROY ENCLOSURES. NO PART OF THIS DRAWING MAY BE REPRODUCED, DISTRIBUTED, OR PUBLICALLY DISPLAYED IN ANY FORM OR BY ANY MEANS WITHOUT THE EXPRESS WRITTEN PERMISSION OF ROBROY ENCLOSURES. ALL RIGHTS RESERVED. UNDER THE COPYRIGHT LAWS. COPYRIGHT © 2023 ROBROY ENCLOSURES.

SPECIAL REQUIREMENTS				NEMA 250: TYPE 1, 3R, 4, 4X, 6P, 12 IEC 60529: IP66, IP68		STANDARD P/N:	AH14126HW		ALL DIMENSIONS ARE IN INCHES UNLESS OTHERWISE SPECIFIED		TOLERANCES UNLESS SPECIFIED	
ASSEMBLY: 1. LATCHES NOT REQUIRED 2. (1) ACCESSORY KIT (WPPGACOKIT) SHALL BE PACKAGED LOOSELY INSIDE ENCLOSURE HARDWARE INCLUDED 3. (1) STYROFOAM SHEET SHALL BE PLACED ON TOP OF COVER INSIDE CARTON				COLOR: N/A COLOR STANDARD: PANTONE 7541 C		CUSTOMER DWG:				.XX ± 0.03	.XXX ± 0.010	
				MATERIAL: POLYCARBONATE								
				REVISION HISTORY								
REV	DESCRIPTION	DATE	ENG									
-	-	-	-									
-	-	-	-									
-	-	-	-									
-	-	-	-									
-	-	-	-									
-	-	-	-									
				DRAWN BY: AA		DATE: 11/22/23		CUSTOMER		DWG: AH14126HW		
				SCALE: DO NOT SCALE		DESCRIPTION: STANDARD ENCLOSURE		PART NUMBER: ATAH14126HW				

