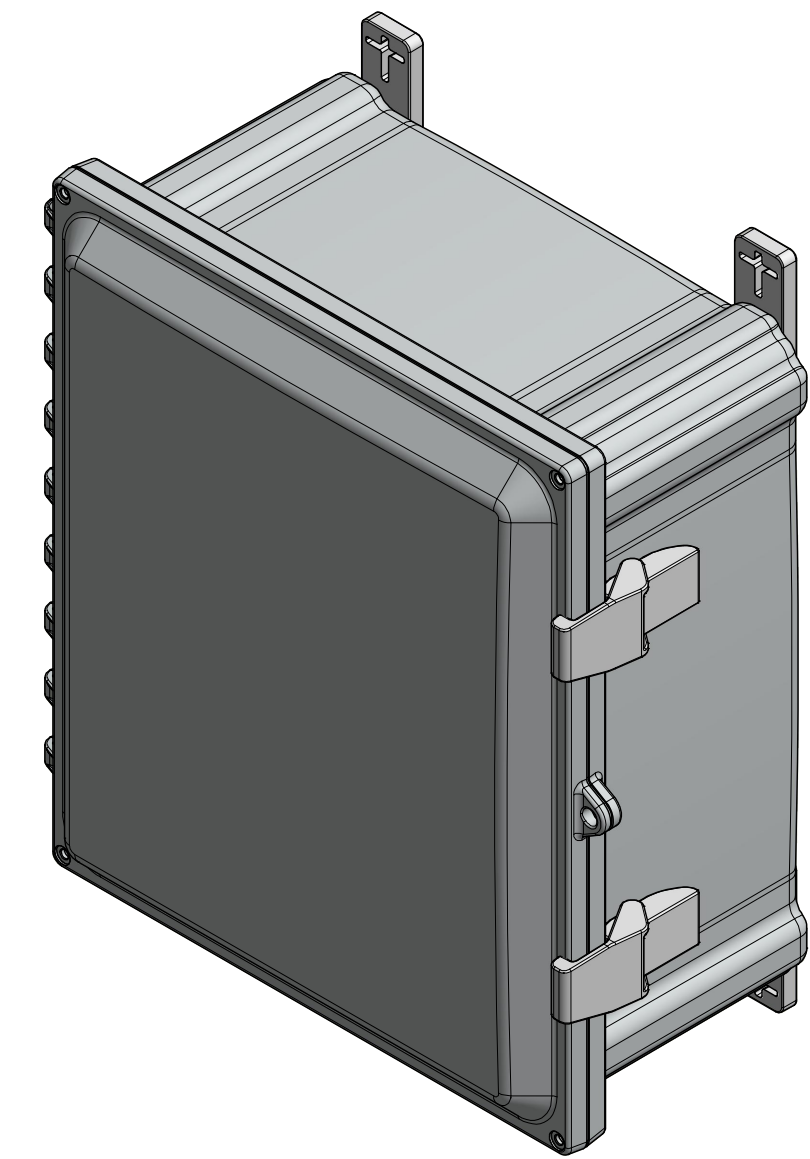
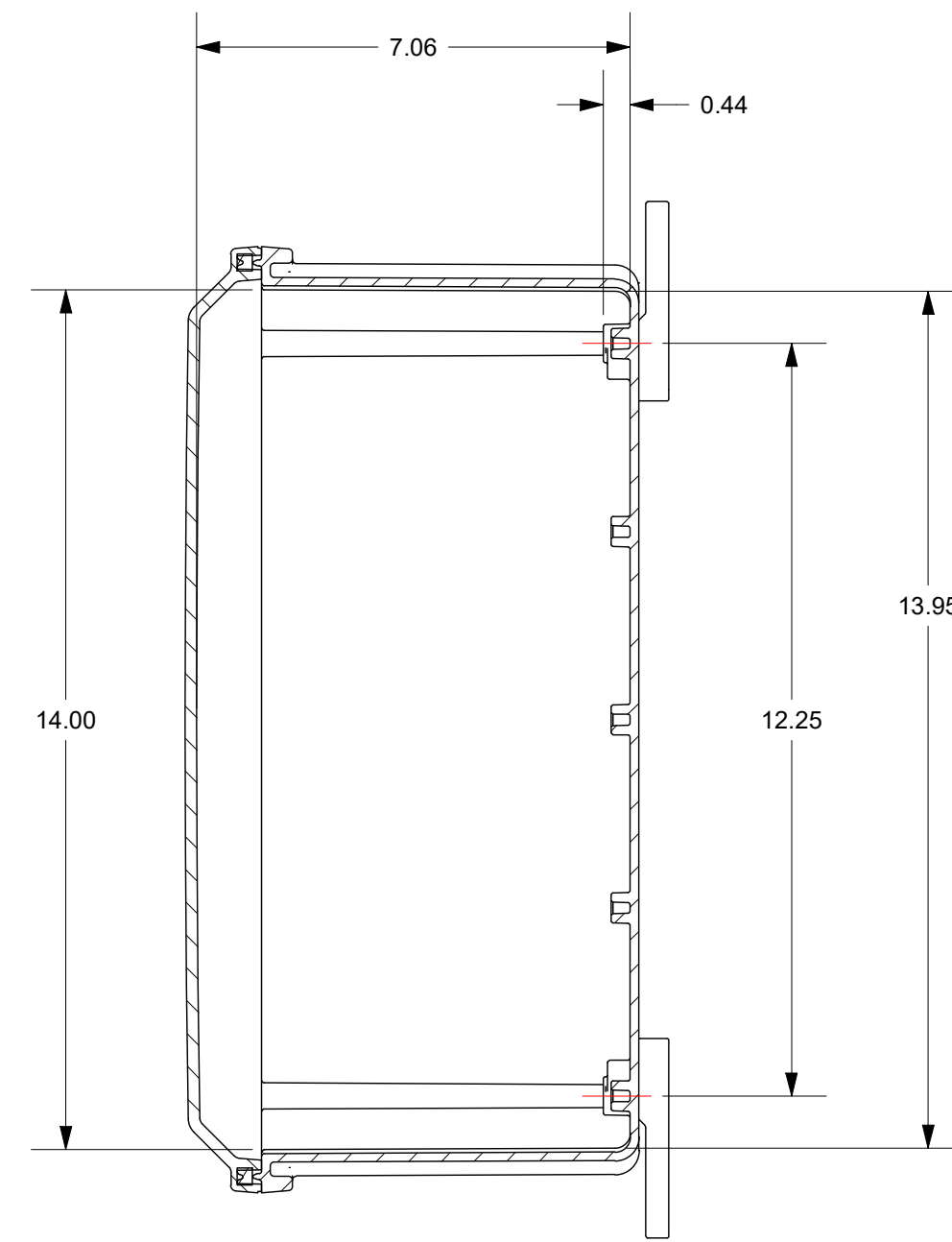
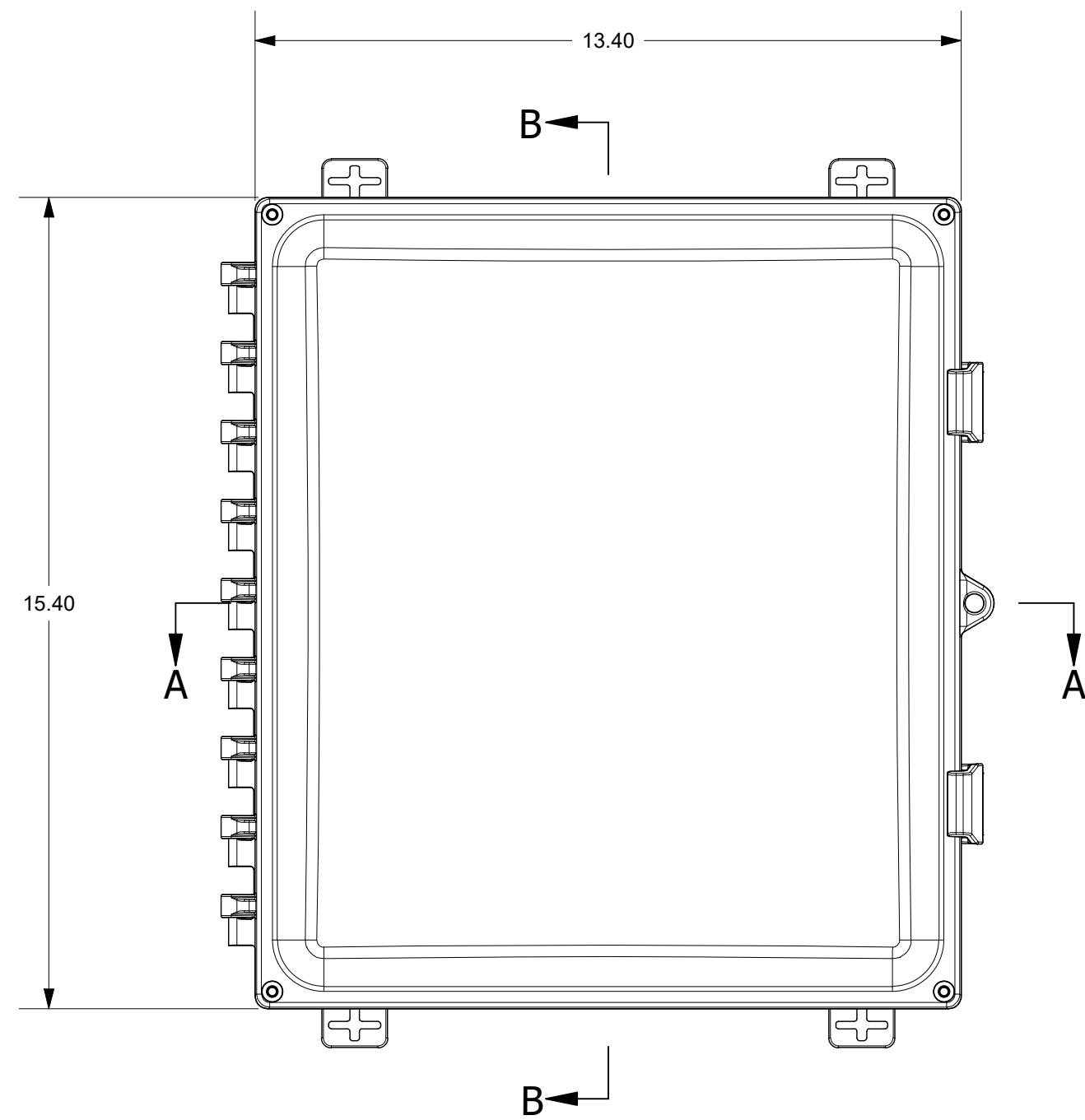
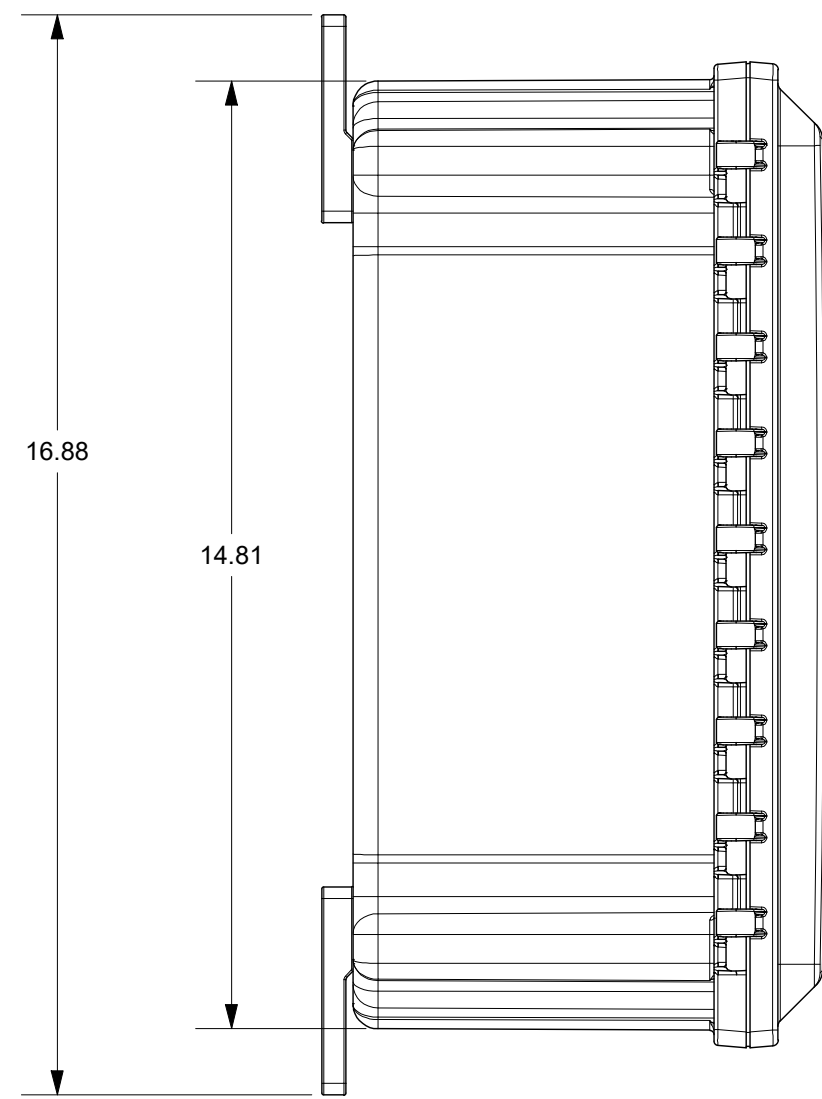


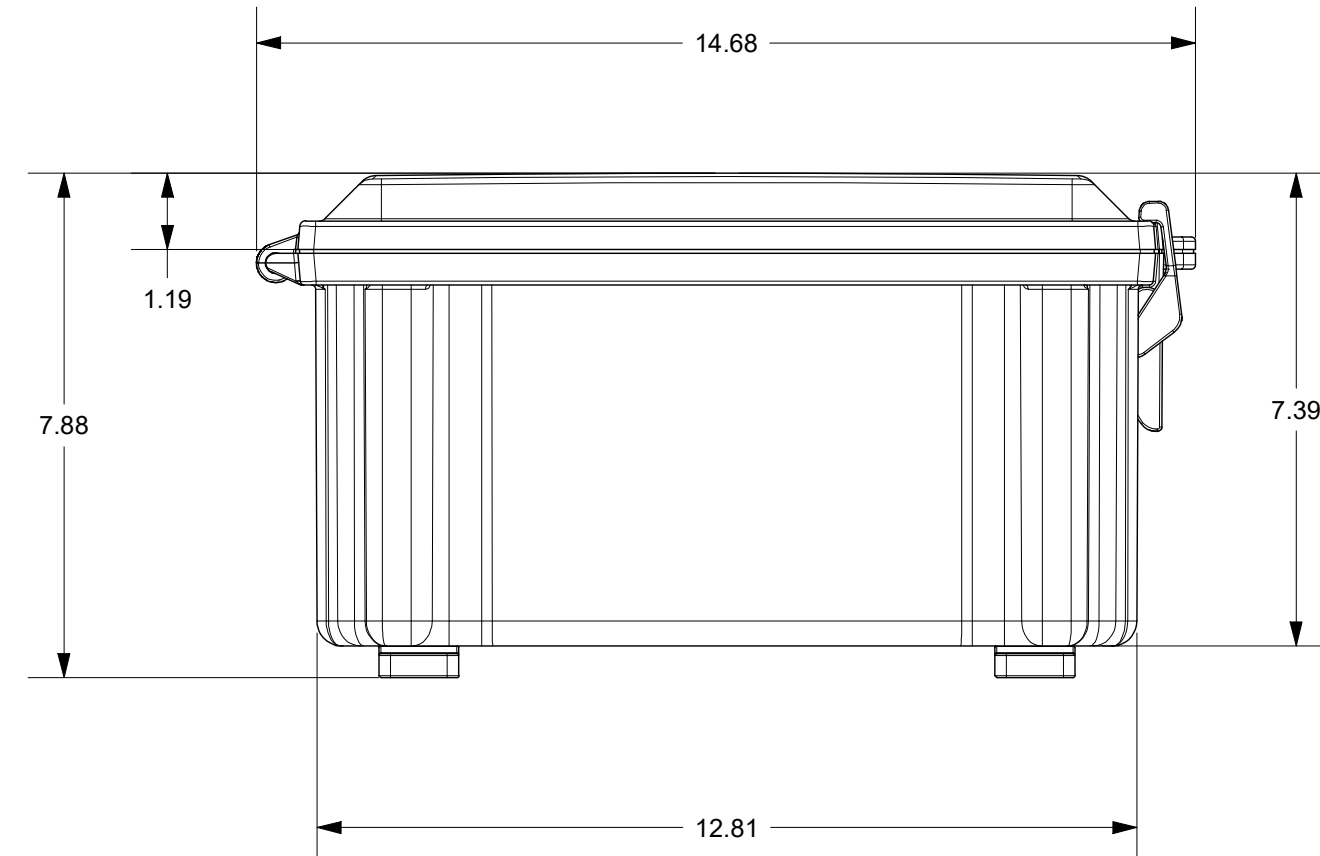
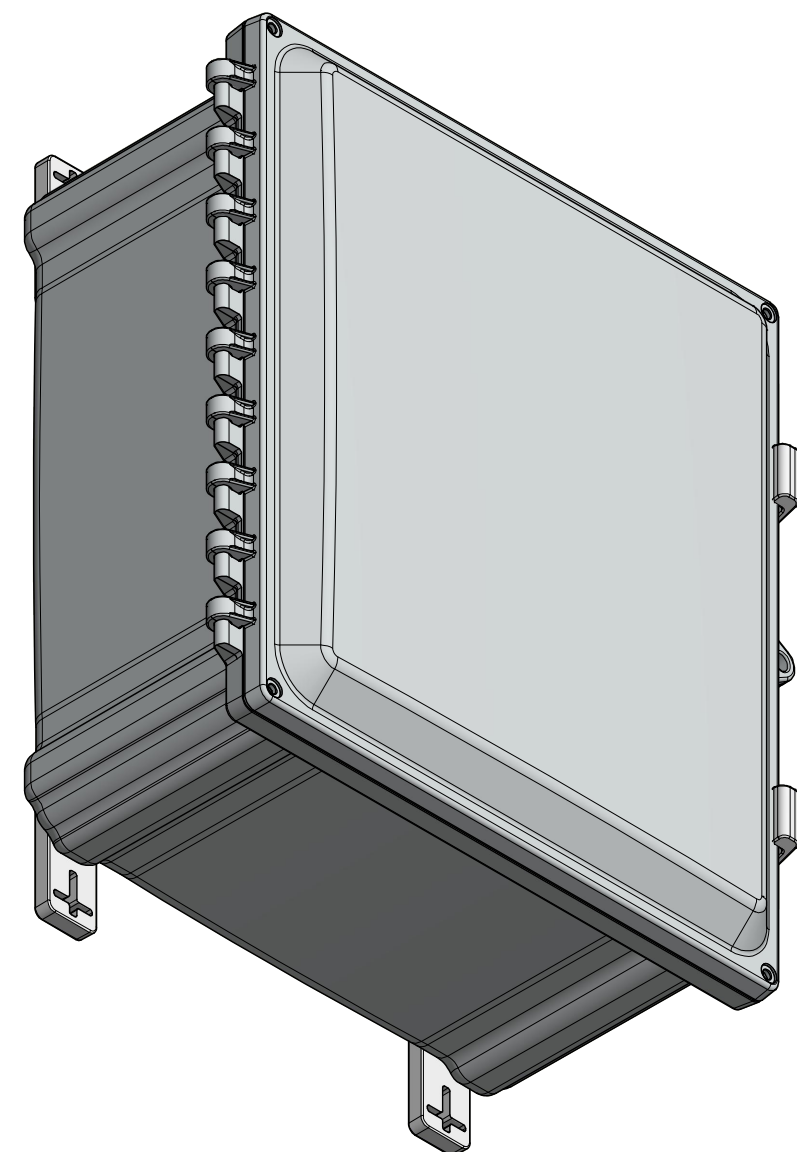
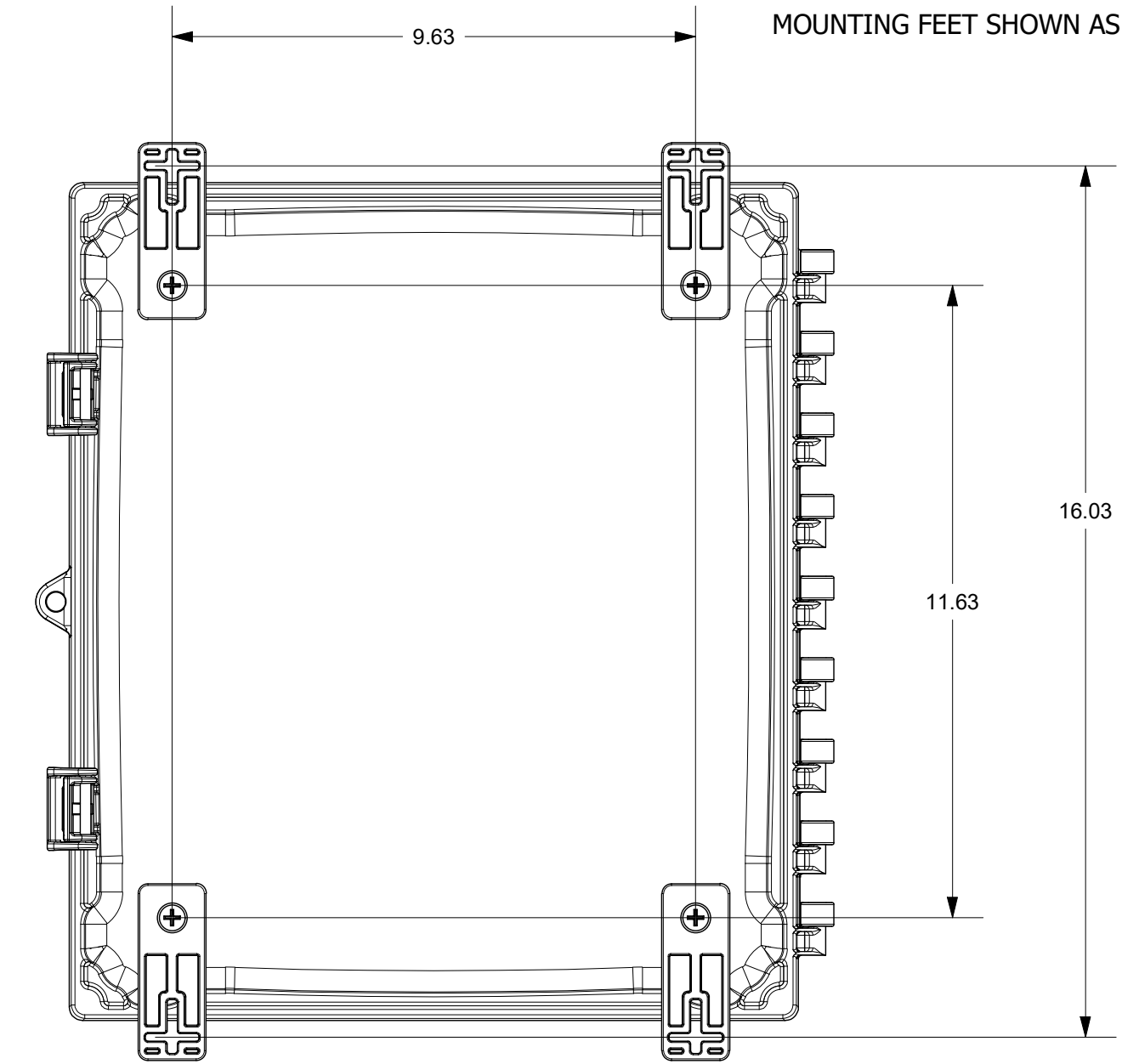
SECTION A-A



FOR REFERENCE ONLY
MOUNTING FEET SHOWN AS INSTALLED



SECTION B-B



THIS DRAWING IS THE SOLE AND EXCLUSIVE PROPERTY OF ROBROY ENCLOSURES. NO PART OF THIS DRAWING MAY BE REPRODUCED, DISTRIBUTED, OR PUBLICALLY DISPLAYED IN ANY FORM OR BY ANY MEANS WITHOUT THE EXPRESS WRITTEN PERMISSION OF ROBROY ENCLOSURES. ALL RIGHTS RESERVED. UNDER THE COPYRIGHT LAWS. COPYRIGHT © 2016 ROBROY ENCLOSURES.

SPECIAL REQUIREMENTS				NEMA 250: TYPE 1, 3R, 4, 4X, 12	STANDARD P/N:	ALL DIMENSIONS ARE IN INCHES UNLESS OTHERWISE SPECIFIED		TOLERANCES UNLESS SPECIFIED	
ASSEMBLY: 1 (1) ACCESSORY KIT (WPPCACCKIT) SHALL BE PACKAGED LOOSELY INSIDE ENCLOSURE HARDWARE INCLUDED: - (4) #14-20 x 1/2 FLAT HEAD PHILLIPS MACHINE SCREW (RMSC114-20X.5FLPH) - (4) #10-32 x 5/8 PAN HEAD PHILLIPS MACHINE SCREW (RMSC10132X5/8SS) - (4) #10-32 x 3/8 PAN HEAD SCREW (RMSC10132X3/8ZN) - (4) #10 WASHER (RMWAS10ZN) 2 (1) STYROFOAM SHEET SHALL BE PLACED ON TOP OF COVER INSIDE CARTON				IEC 60529: IP66	AH14126	UNLESS OTHERWISE SPECIFIED		.XX ± 0.03	.XXX ± 0.010
MATERIAL: POLYCARBONATE				COLOR: N/A	CUSTOMER DWG:				
				COLOR STANDARD: PANTONE 7541 C					
				REVISION HISTORY					
REV	DESCRIPTION	DATE	ENG						
-	-	-	-						
-	-	-	-						
-	-	-	-						
-	-	-	-						
-	-	-	-						
-	-	-	-						
				DRAWN BY: AJC DATE: 11/26/16		CUSTOMER:		DWG: AH14126	
				SCALE: DO NOT SCALE		DESCRIPTION: STANDARD ENCLOSURE		PART NUMBER: ATAH14126	



Robroy Enclosures
 500 Maple Street
 Belding, Michigan 48809
 Phone: 616-794-0700
 Fax: 616-749-3378