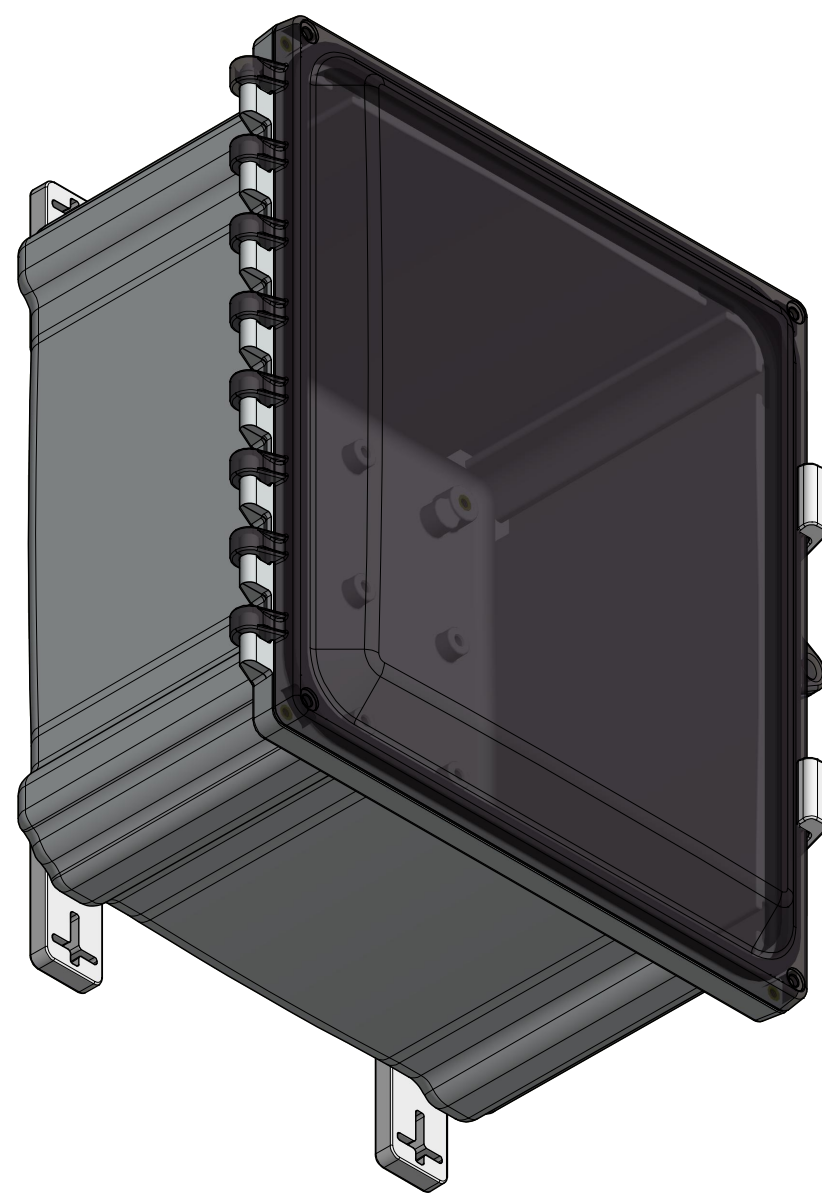
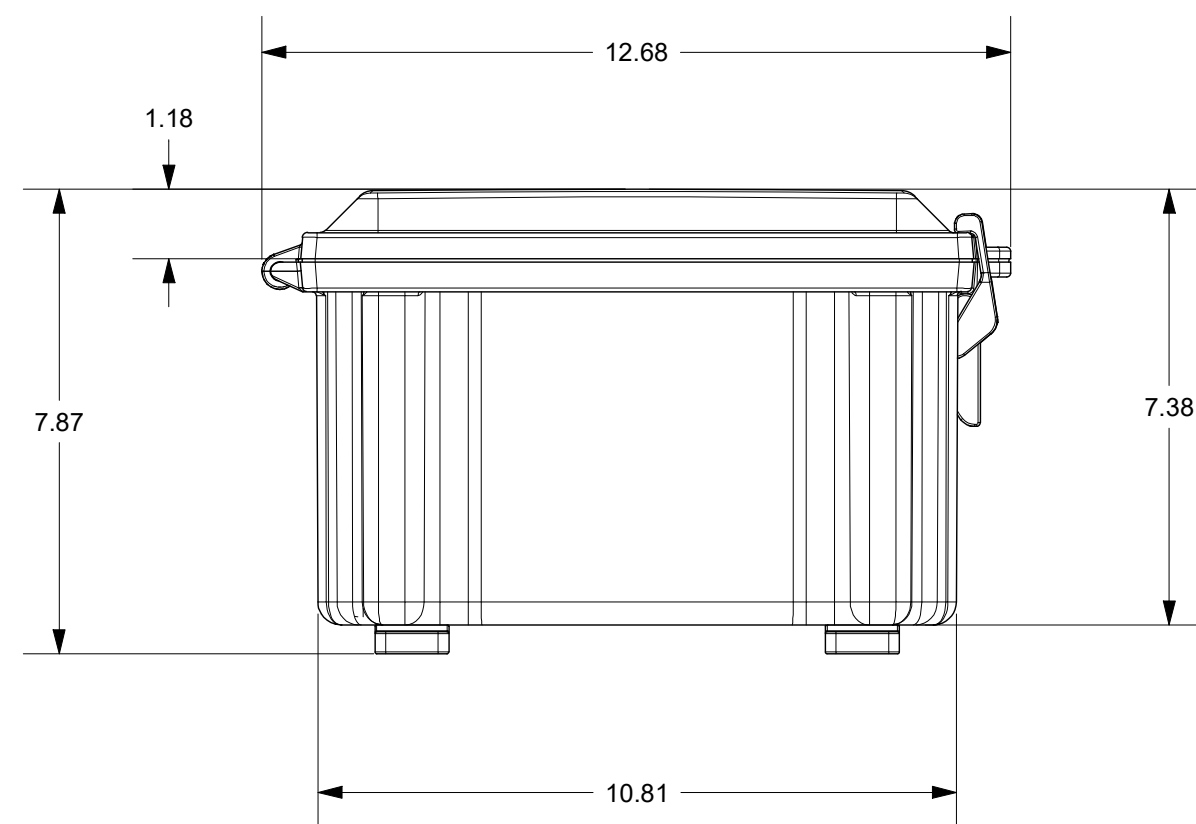
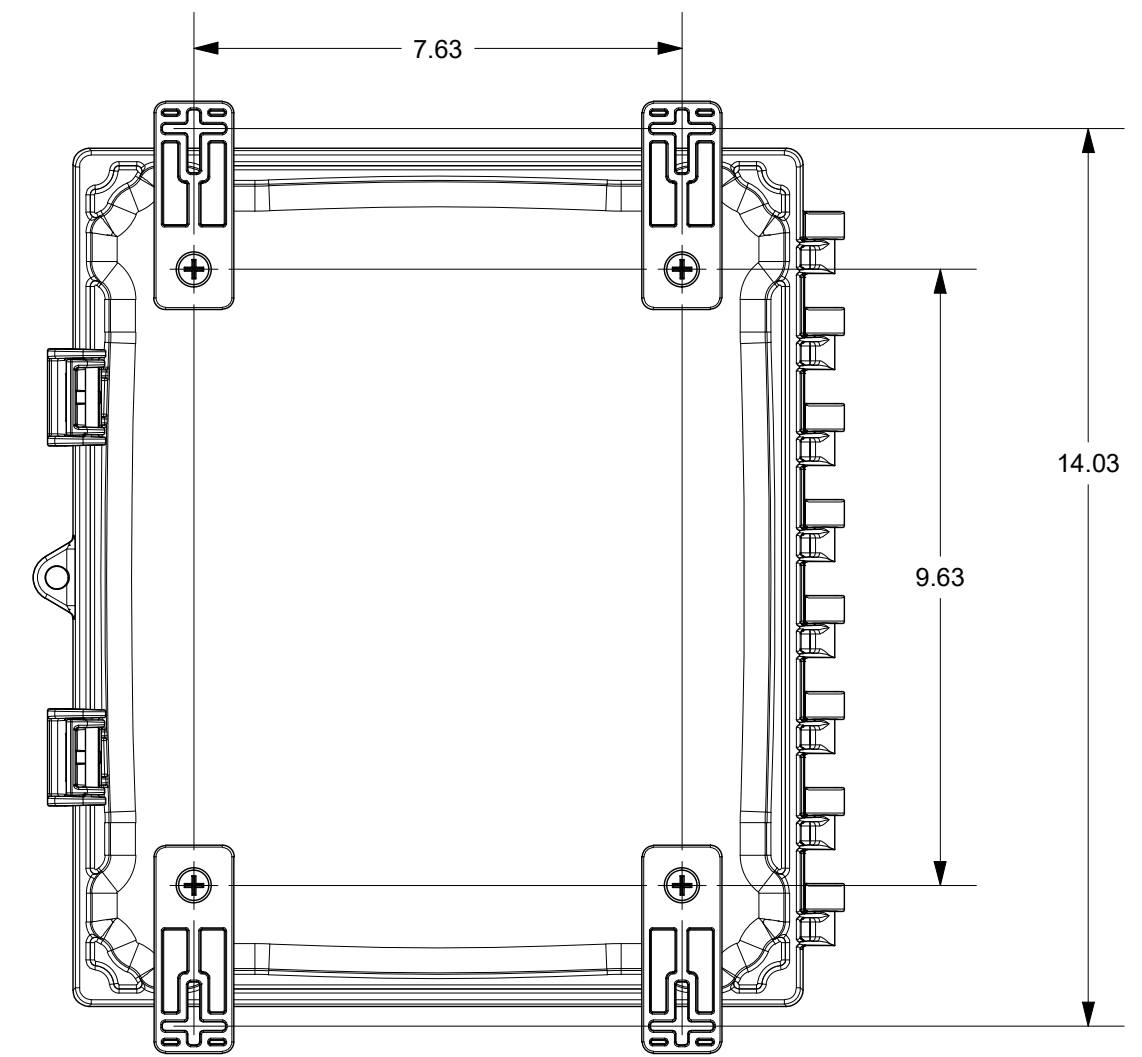
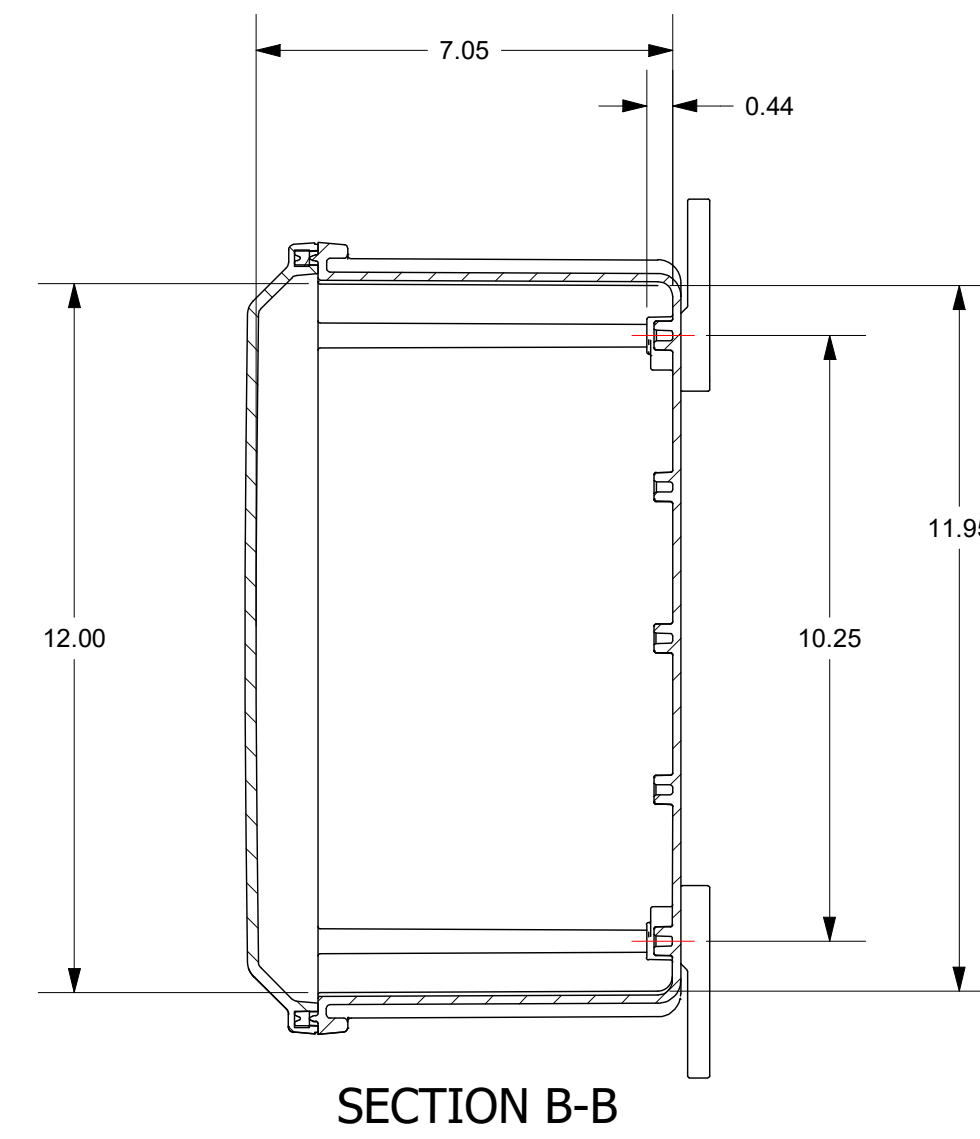
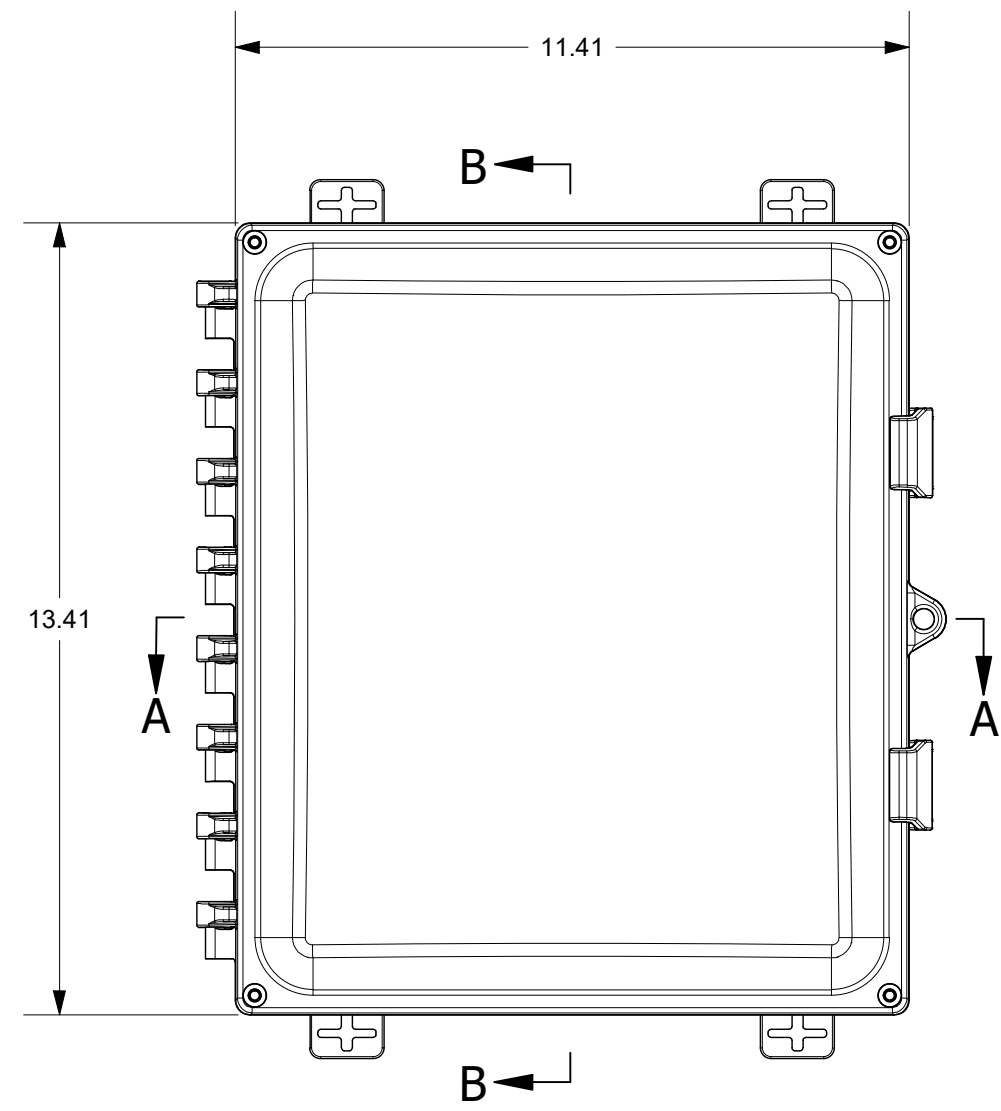
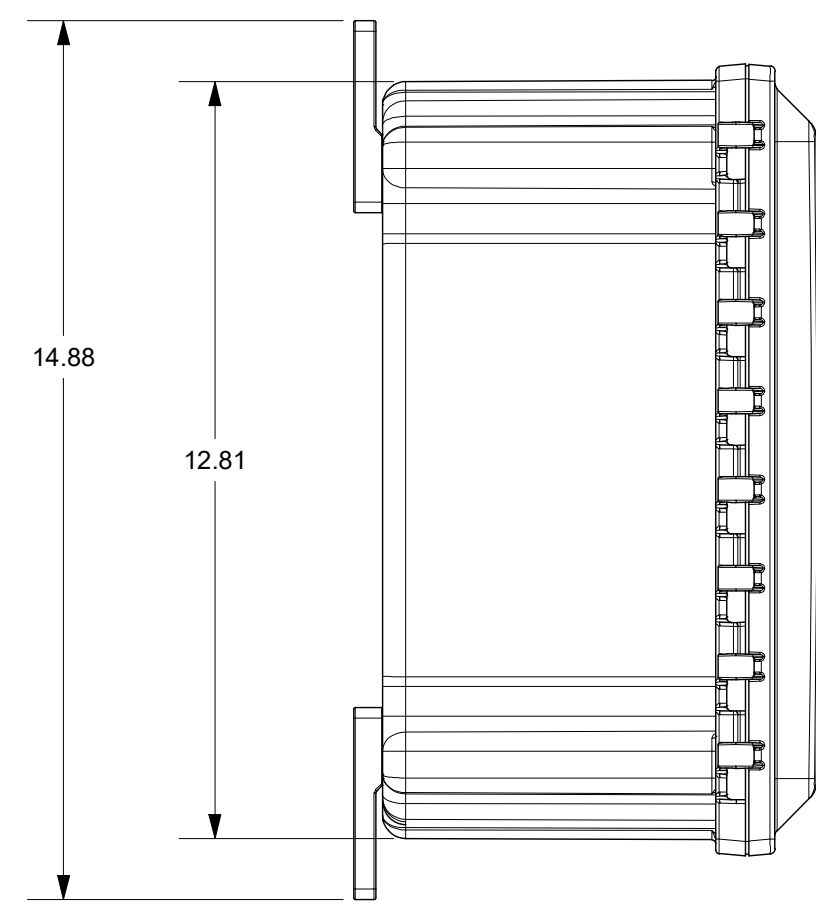


FOR REFERENCE ONLY
MOUNTING FEET SHOWN AS INSTALLED



THIS DRAWING IS THE SOLE AND EXCLUSIVE PROPERTY OF ROBROY ENCLOSURES. NO PART OF THIS DRAWING MAY BE REPRODUCED, DISTRIBUTED, OR PUBLICALLY DISPLAYED IN ANY FORM OR BY ANY MEANS WITHOUT THE EXPRESS WRITTEN PERMISSION OF ROBROY ENCLOSURES. ALL RIGHTS RESERVED. UNDER THE COPYRIGHT LAWS. COPYRIGHT © 2016 ROBROY ENCLOSURES

SPECIAL REQUIREMENTS

ASSEMBLY:

1 (1) ACCESSORY KIT (WPPCACKIT) SHALL BE PACKAGED LOOSELY INSIDE ENCLOSURE

HARDWARE INCLUDED:

- (4) #14-20 x 1/2 FLAT HEAD PHILLIPS MACHINE SCREW (RMSC114-20X.5FLPH)
- (4) #10-32 x 5/8 PAN HEAD PHILLIPS MACHINE SCREW (RMSC10/32X5/8SS)
- (4) #10-32 x 3/8 PAN HEAD SCREW (RMSC10/32X3/8ZN)
- (4) #10 WASHER (RMWAS10ZN)

2 (1) STYROFOAM SHEET SHALL BE PLACED ON TOP OF COVER INSIDE CARTON

NEMA 250: TYPE 1, 3R, 4, 4X, 12		STANDARD P/N: AH12106C		ALL DIMENSIONS ARE IN INCHES UNLESS OTHERWISE SPECIFIED		TOLERANCES UNLESS SPECIFIED		.XX ± 0.03		.XXX ± 0.010	
IEC 60529: IP66		CUSTOMER DWG:									
COLOR: N/A											
COLOR STANDARD: PANTONE 7541 C											
MATERIAL: POLYCARBONATE											
REVISION HISTORY											
REV	DESCRIPTION	DATE	ENG								
-	-	-	-								
-	-	-	-								
-	-	-	-								
-	-	-	-								
-	-	-	-								
-	-	-	-								
				DRAWN BY: AJC		DATE: 10/26/16		CUSTOMER:		DWG: AH12106C	
				SCALE: DO NOT SCALE		DESCRIPTION: STANDARD ENCLOSURE		PART NUMBER:		ATAH12106C	



Robroy Enclosures
500 Maple Street
Belding, Michigan 48809
Phone: 616-794-0700
Fax: 616-749-3378