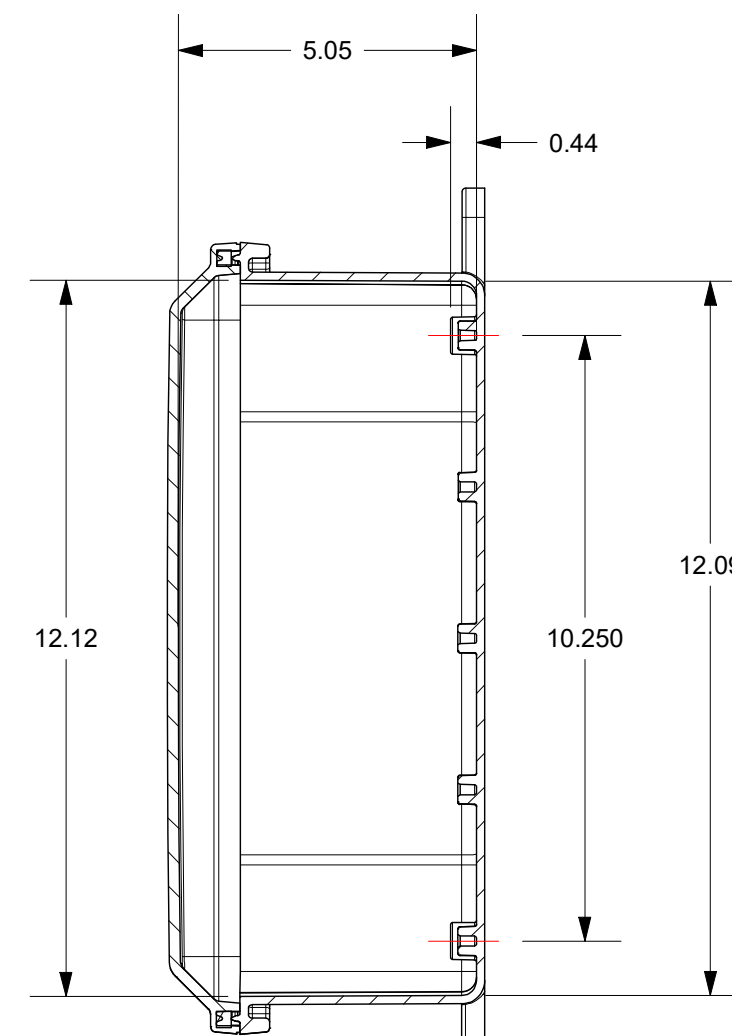
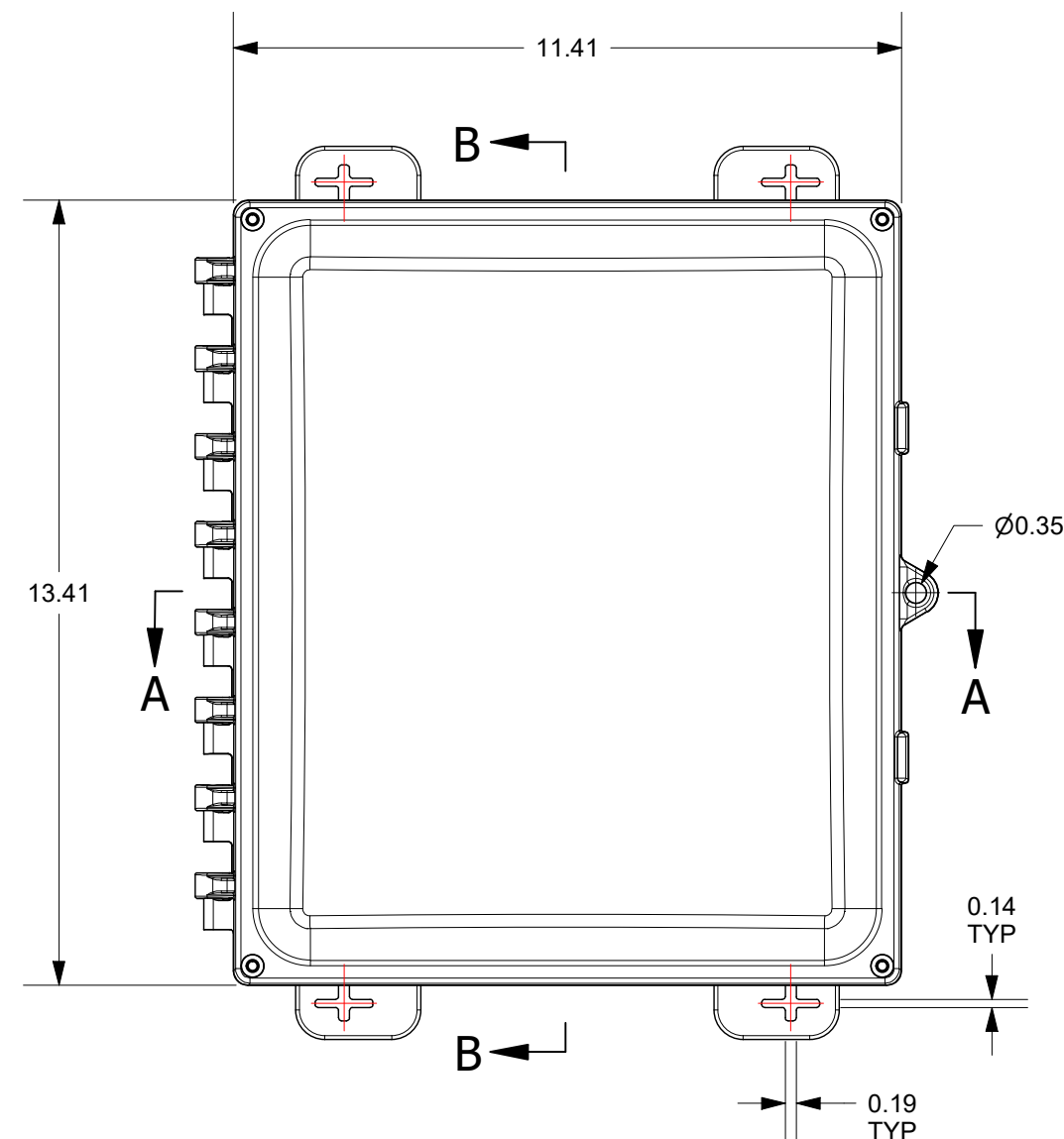
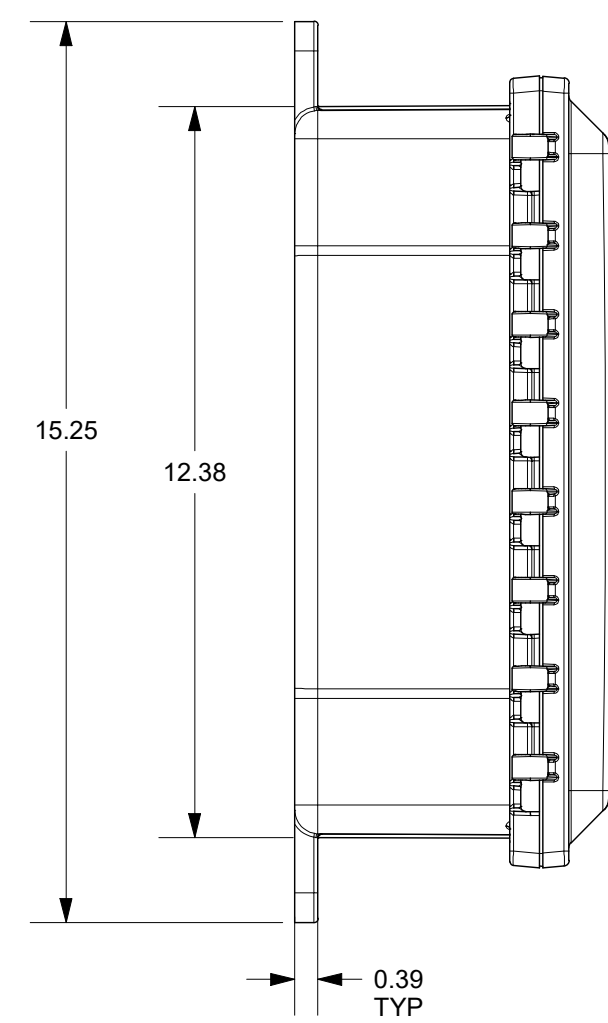
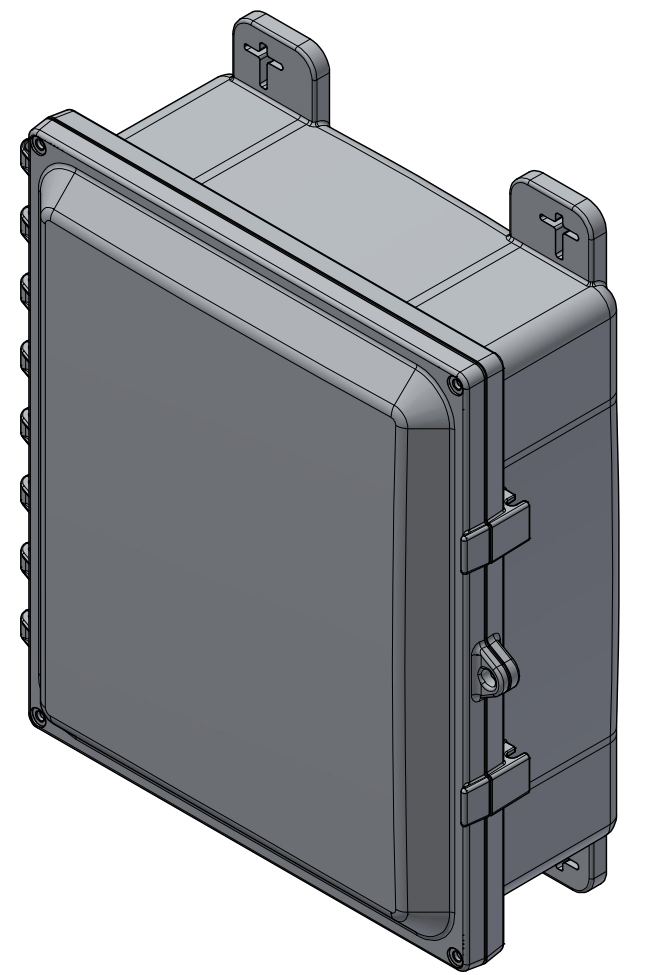
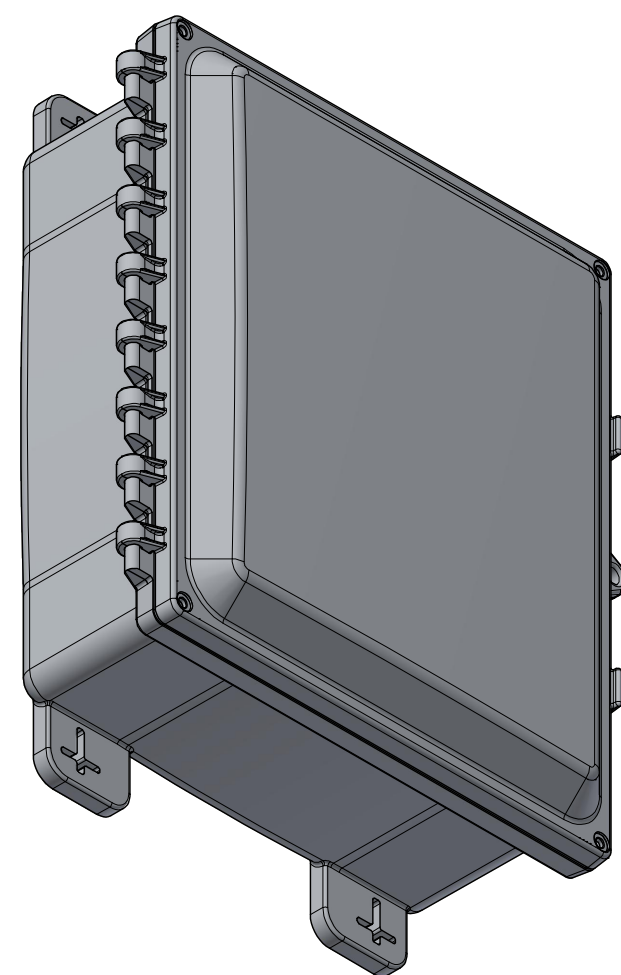
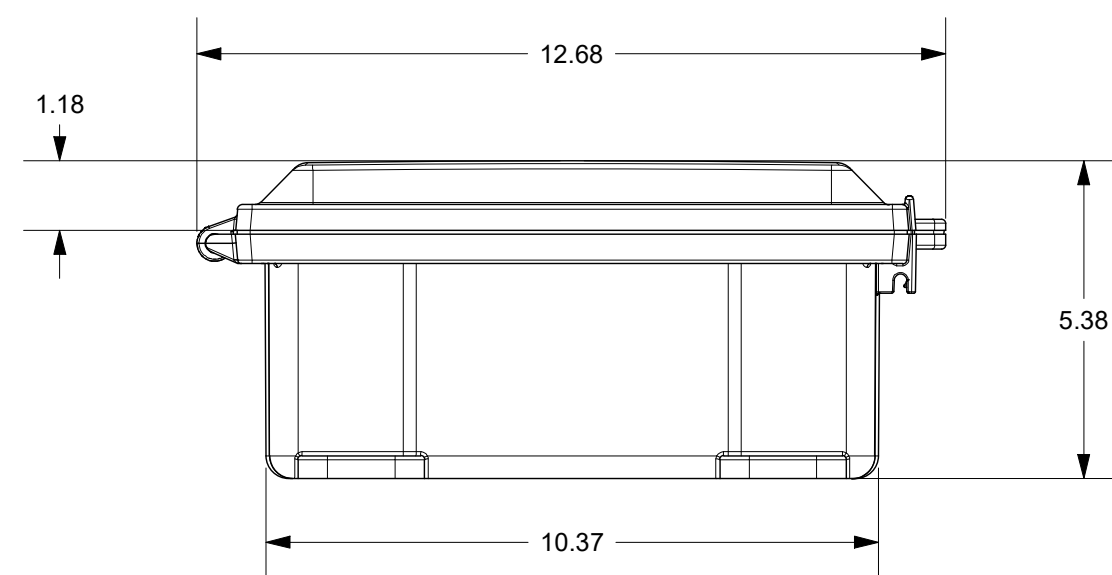
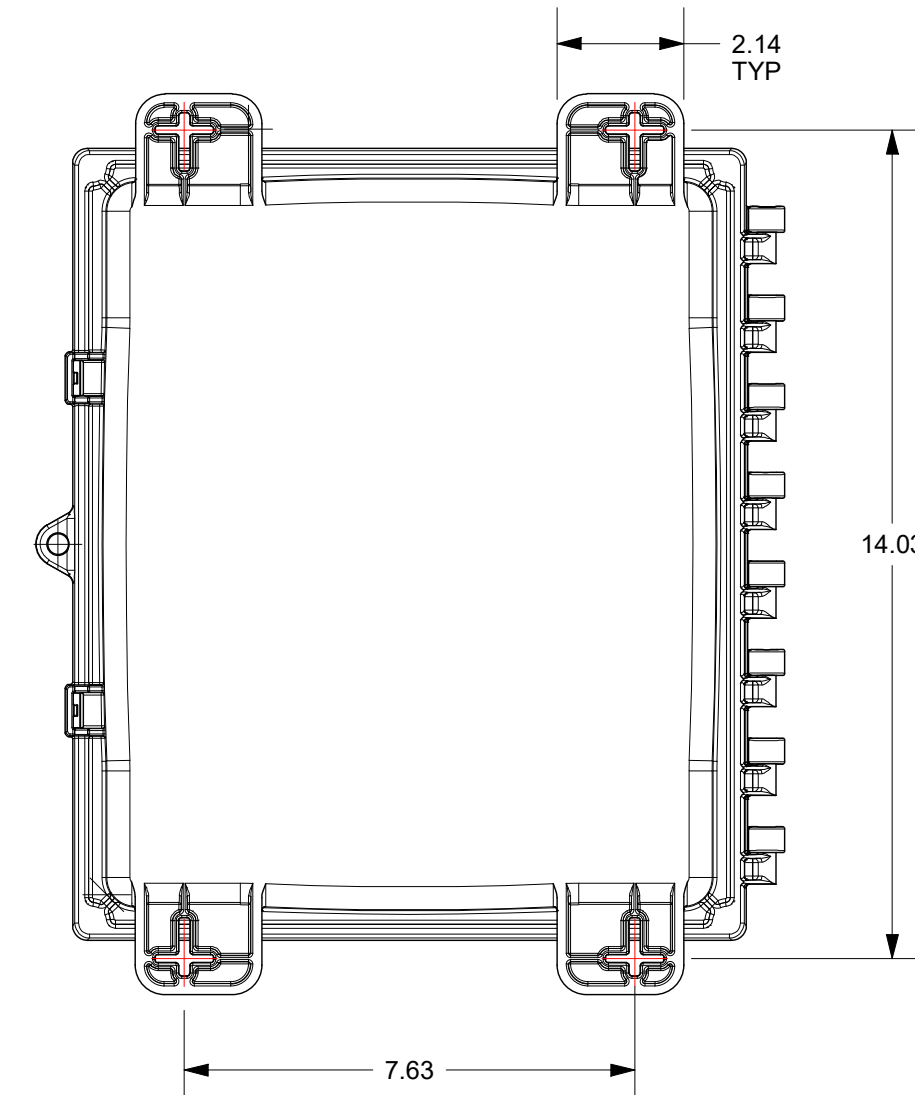


SECTION A-A




SECTION B-B



THIS DRAWING IS THE SOLE AND EXCLUSIVE PROPERTY OF ROBROY ENCLOSURES. NO PART OF THIS DRAWING MAY BE REPRODUCED, DISTRIBUTED, OR PUBLICALLY DISPLAYED IN ANY FORM OR BY ANY MEANS WITHOUT THE EXPRESS WRITTEN PERMISSION OF ROBROY ENCLOSURES. ALL RIGHTS RESERVED. UNDER THE COPYRIGHT LAWS. COPYRIGHT © 2023 ROBROY ENCLOSURES.

- SPECIAL REQUIREMENTS**
- ASSEMBLY:**
1. LATCHES NOT REQUIRED
 2. (1) ACCESSORY KIT (WPPCACCKITNOFT) SHALL BE PACKAGED LOOSELY INSIDE ENCLOSURE
 3. (1) STYROFOAM SHEET SHALL BE PLACED ON TOP OF COVER INSIDE CARTON

NEMA 250: TYPE 1, 3R, 4, 4X, 6P, 12 IEC 60529: IP66, IP68		STANDARD P/N: AH12104HW	ALL DIMENSIONS ARE IN INCHES UNLESS OTHERWISE SPECIFIED		TOLERANCES UNLESS SPECIFIED	.XX ± 0.03	.XXX ± 0.010																											
COLOR: N/A COLOR STANDARD: PANTONE 7541 C		CUSTOMER DWG:	MATERIAL: POLYCARBONATE		 Robroy Enclosures 500 Maple Street Belding, Michigan 48809 Phone: 616-794-0700 Fax: 616-749-3378																													
<table border="1"> <thead> <tr> <th>REV</th> <th>DESCRIPTION</th> <th>DATE</th> <th>ENG</th> </tr> </thead> <tbody> <tr><td>-</td><td>-</td><td>-</td><td>-</td></tr> <tr><td>-</td><td>-</td><td>-</td><td>-</td></tr> <tr><td>-</td><td>-</td><td>-</td><td>-</td></tr> <tr><td>-</td><td>-</td><td>-</td><td>-</td></tr> <tr><td>-</td><td>-</td><td>-</td><td>-</td></tr> <tr><td>-</td><td>-</td><td>-</td><td>-</td></tr> </tbody> </table>		REV	DESCRIPTION	DATE	ENG	-	-	-	-	-	-	-	-	-	-	-	-	-	-	-	-	-	-	-	-	-	-	-	-	DRAWN BY AA	DATE 12/5/23	CUSTOMER	DWG AH12104HW	
REV	DESCRIPTION	DATE	ENG																															
-	-	-	-																															
-	-	-	-																															
-	-	-	-																															
-	-	-	-																															
-	-	-	-																															
-	-	-	-																															
DO NOT SCALE		SCALE	DESCRIPTION	PART NUMBER		STANDARD ENCLOSURE ATAH12104HW																												