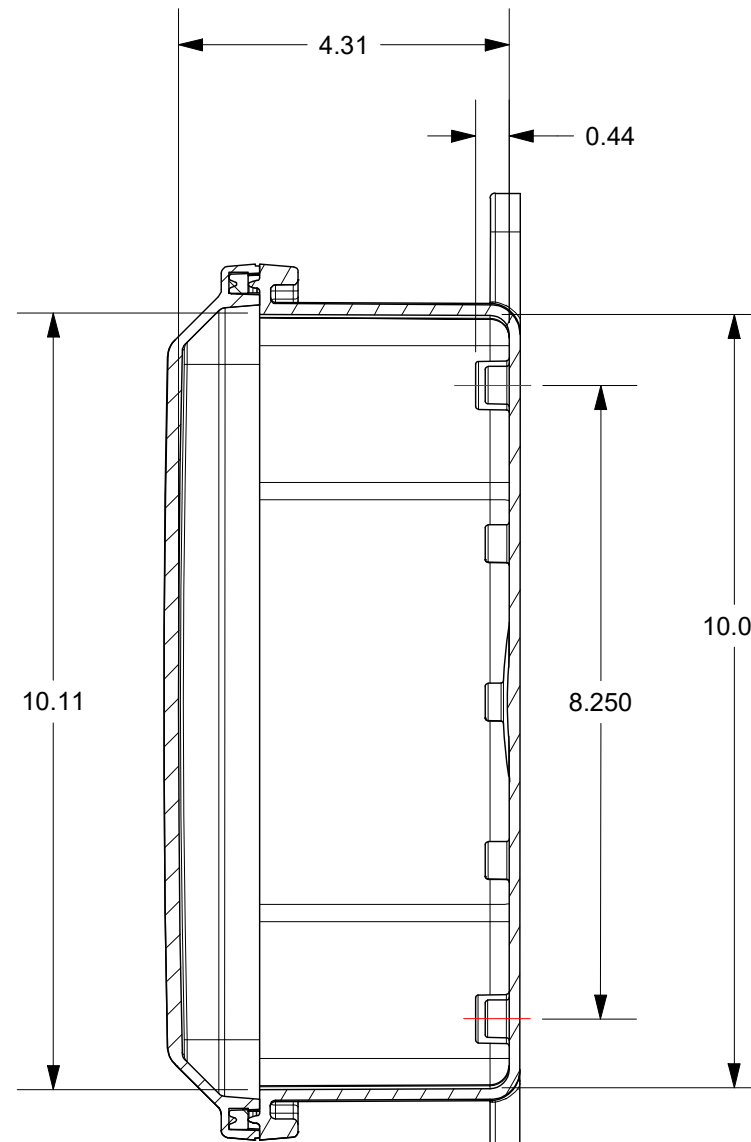
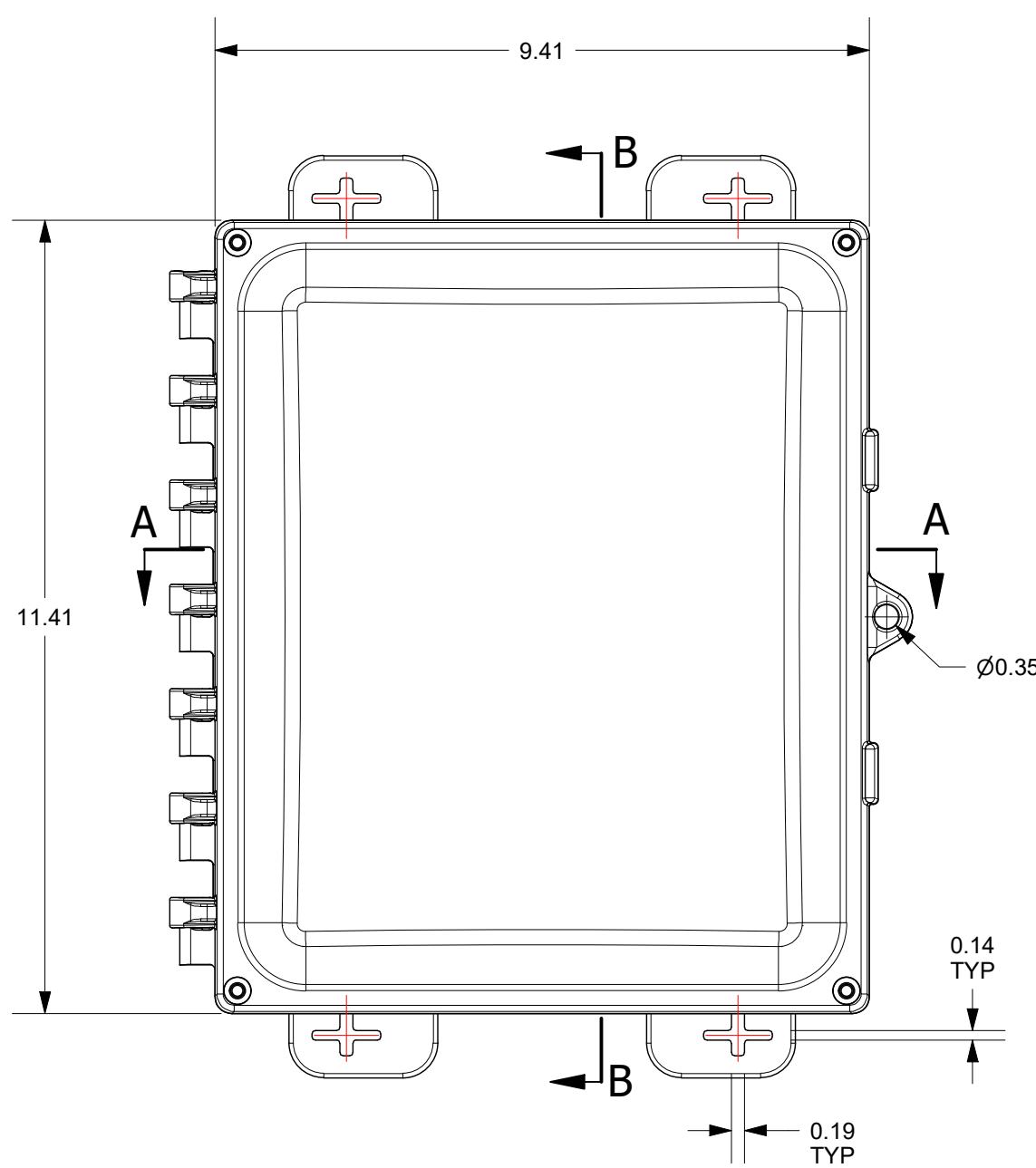
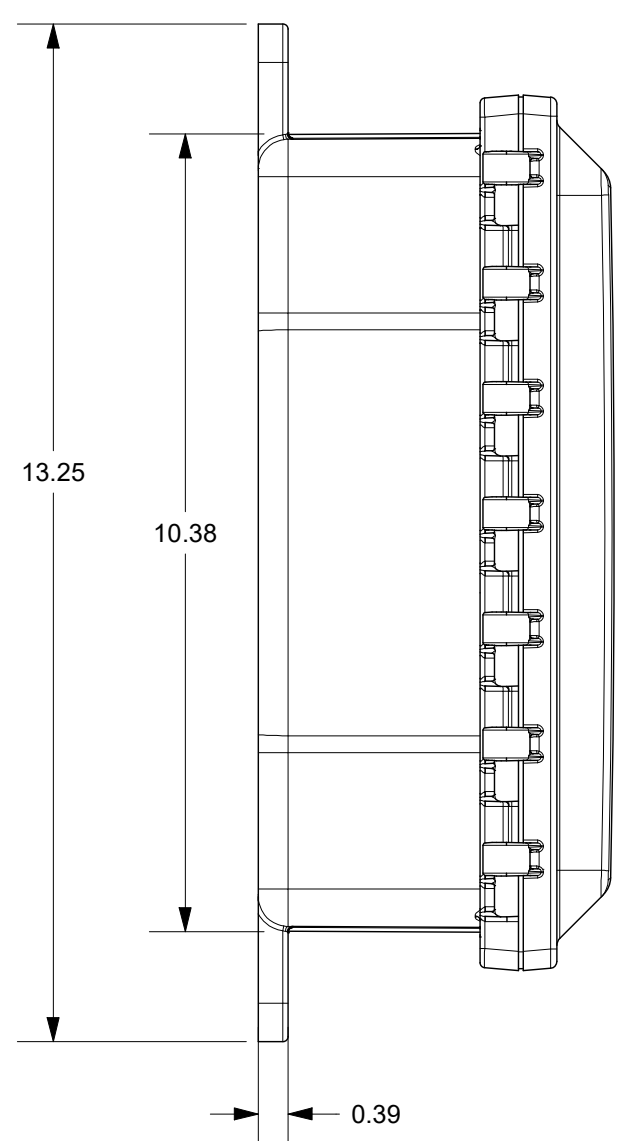
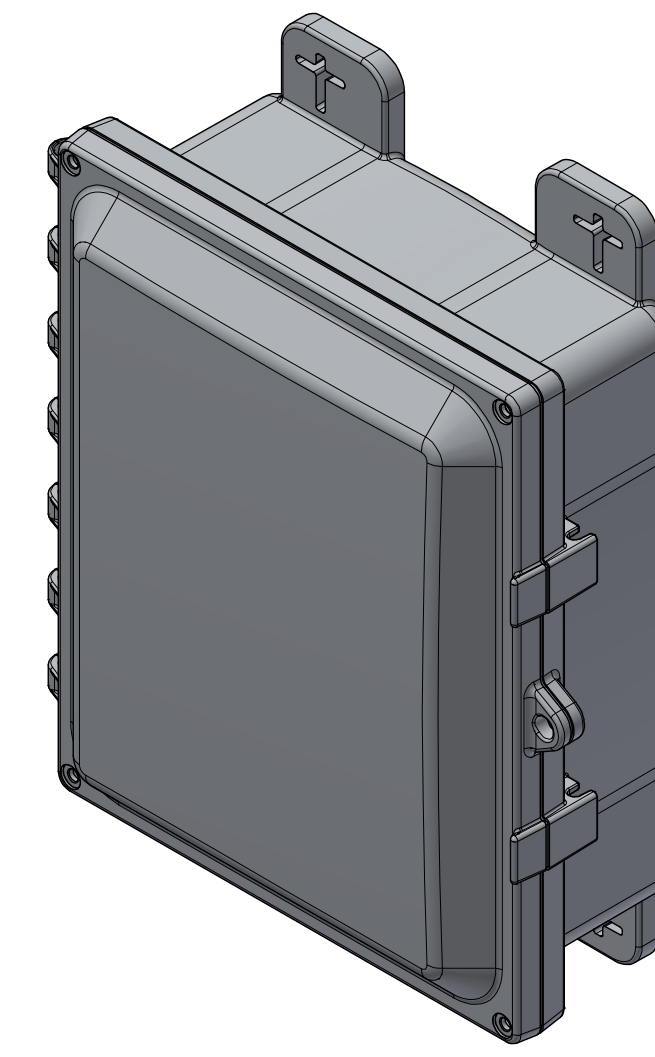
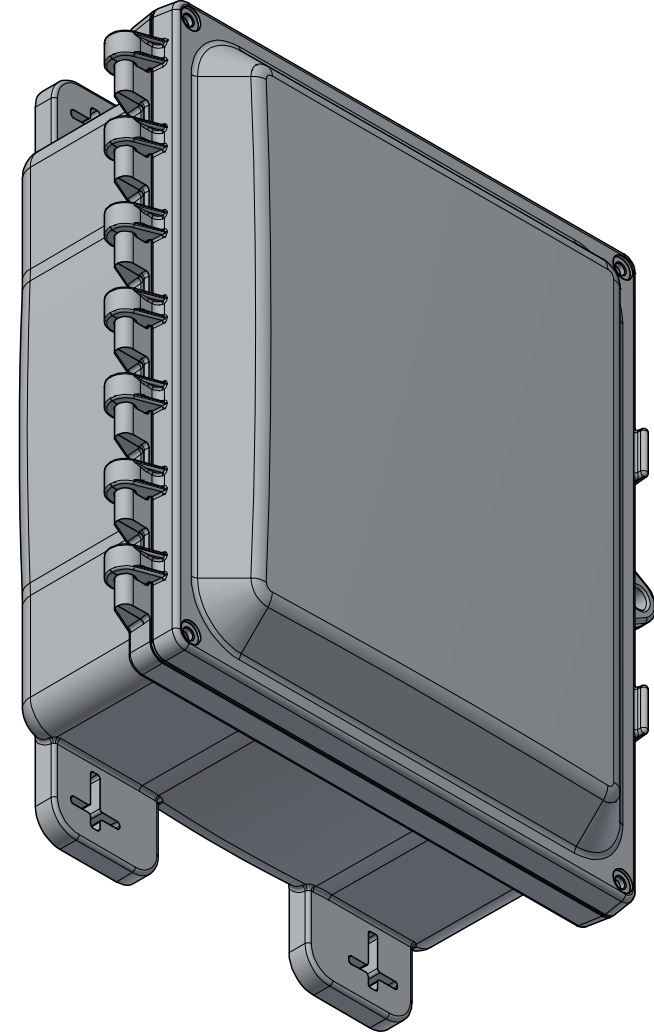
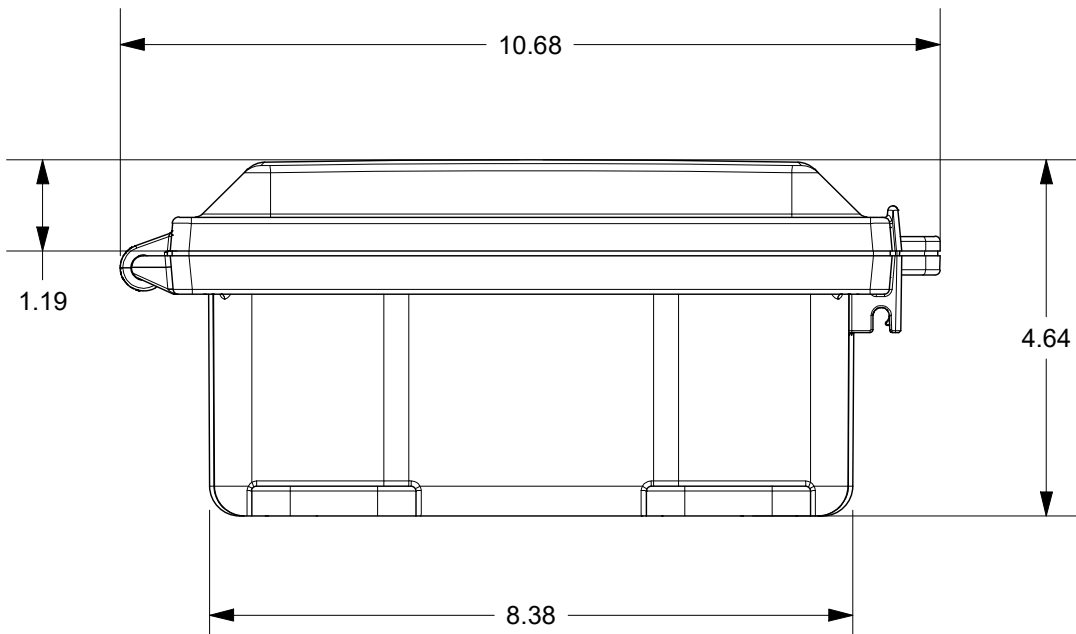
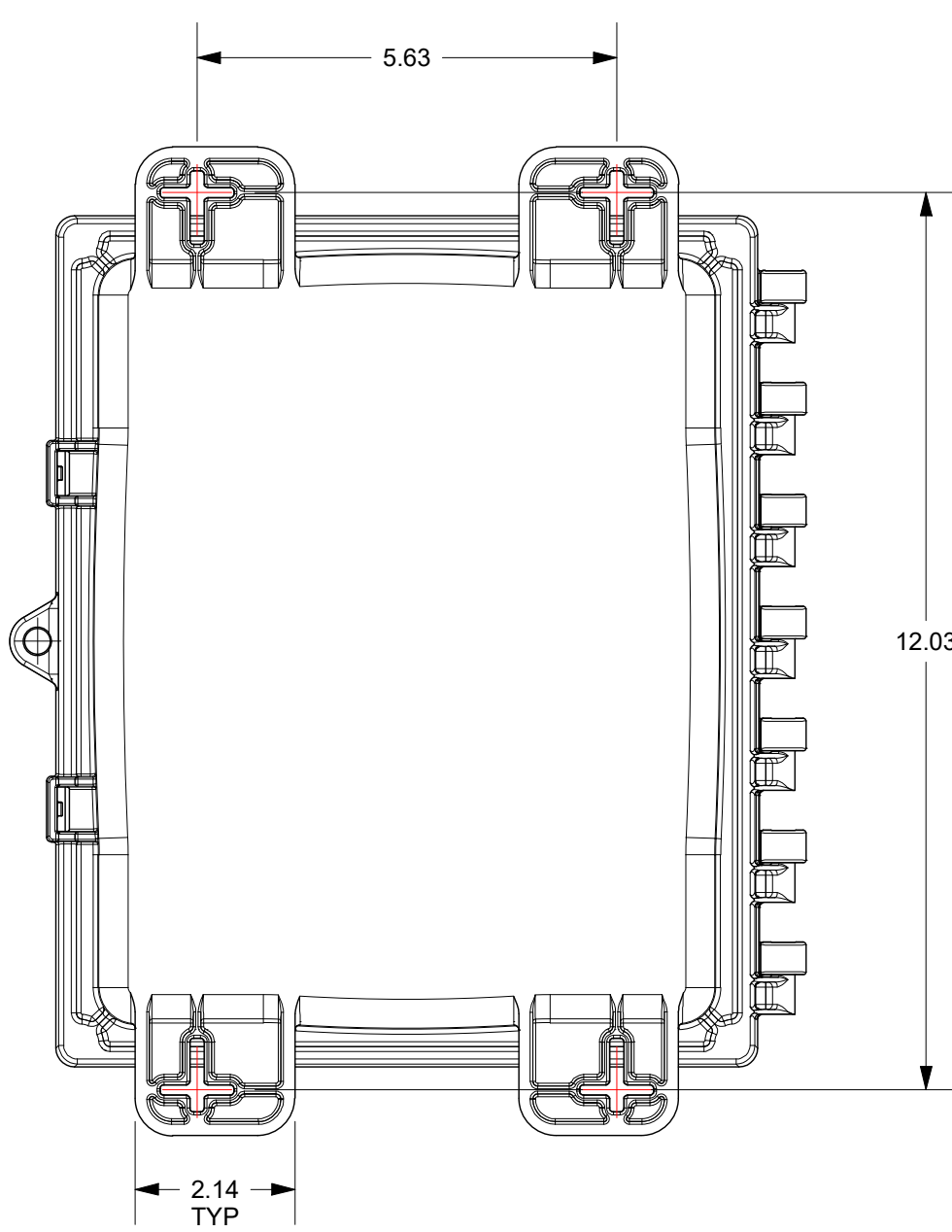


SECTION A-A




SECTION B-B



THIS DRAWING IS THE SOLE AND EXCLUSIVE PROPERTY OF ROBROY ENCLOSURES. NO PART OF THIS DRAWING MAY BE REPRODUCED, DISTRIBUTED, OR PUBLICALLY DISPLAYED IN ANY FORM OR BY ANY MEANS WITHOUT THE EXPRESS WRITTEN PERMISSION OF ROBROY ENCLOSURES. ALL RIGHTS RESERVED. UNDER THE COPYRIGHT LAWS. COPYRIGHT © 2023 ROBROY ENCLOSURES.

**SPECIAL REQUIREMENTS**  
 ASSEMBLY:  
 1. LATCHES NOT REQUIRED  
 2. (1) ACCESSORY KIT (WPPCACCKITNOFT) SHALL BE PACKAGED LOOSELY INSIDE ENCLOSURE  
 3. (1) STYROFOAM SHEET SHALL BE PLACED ON TOP OF COVER INSIDE CARTON

NEMA 250: TYPE 1, 3R, 4, 4X, 6P, 12 IEC 60529: IP66, IP68		STANDARD P/N: AH1083HW	ALL DIMENSIONS ARE IN INCHES UNLESS OTHERWISE SPECIFIED		TOLERANCES UNLESS SPECIFIED	.XX ± 0.03	.XXX ± 0.010																																							
COLOR: N/A COLOR STANDARD: PANTONE 7541 C		CUSTOMER DWG:	MATERIAL: POLYCARBONATE		 <b>AttaBox</b> A ROBROY ENCLOSURES™ BRAND																																									
<table border="1"> <thead> <tr> <th>REV</th> <th>DESCRIPTION</th> <th>DATE</th> <th>ENG</th> </tr> </thead> <tbody> <tr><td>-</td><td>-</td><td>-</td><td>-</td></tr> <tr><td>-</td><td>-</td><td>-</td><td>-</td></tr> <tr><td>-</td><td>-</td><td>-</td><td>-</td></tr> <tr><td>-</td><td>-</td><td>-</td><td>-</td></tr> <tr><td>-</td><td>-</td><td>-</td><td>-</td></tr> <tr><td>-</td><td>-</td><td>-</td><td>-</td></tr> </tbody> </table>		REV	DESCRIPTION	DATE	ENG	-	-	-	-	-	-	-	-	-	-	-	-	-	-	-	-	-	-	-	-	-	-	-	-	<table border="1"> <tr> <td>DRAWN BY</td> <td>DATE</td> <td>CUSTOMER</td> <td>DWG</td> </tr> <tr> <td>AA</td> <td>12/5/23</td> <td></td> <td>AH1083HW</td> </tr> </table>	DRAWN BY	DATE	CUSTOMER	DWG	AA	12/5/23		AH1083HW	<table border="1"> <tr> <td>SCALE</td> <td>DESCRIPTION</td> <td>PART NUMBER</td> </tr> <tr> <td>DO NOT SCALE</td> <td>STANDARD ENCLOSURE</td> <td>ATAH1083HW</td> </tr> </table>		SCALE	DESCRIPTION	PART NUMBER	DO NOT SCALE	STANDARD ENCLOSURE	ATAH1083HW
REV	DESCRIPTION	DATE	ENG																																											
-	-	-	-																																											
-	-	-	-																																											
-	-	-	-																																											
-	-	-	-																																											
-	-	-	-																																											
-	-	-	-																																											
DRAWN BY	DATE	CUSTOMER	DWG																																											
AA	12/5/23		AH1083HW																																											
SCALE	DESCRIPTION	PART NUMBER																																												
DO NOT SCALE	STANDARD ENCLOSURE	ATAH1083HW																																												

Robroy Enclosures  
 500 Maple Street  
 Belding, Michigan 48809  
 Phone: 616-794-0700  
 Fax: 616-749-3378