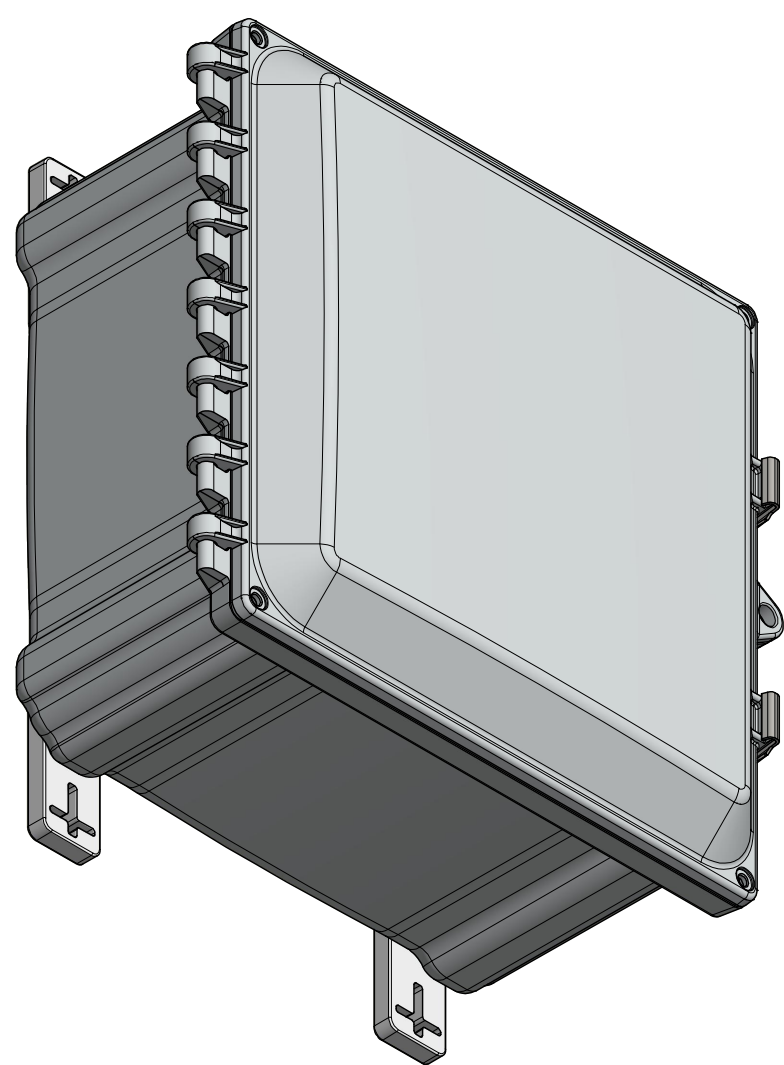
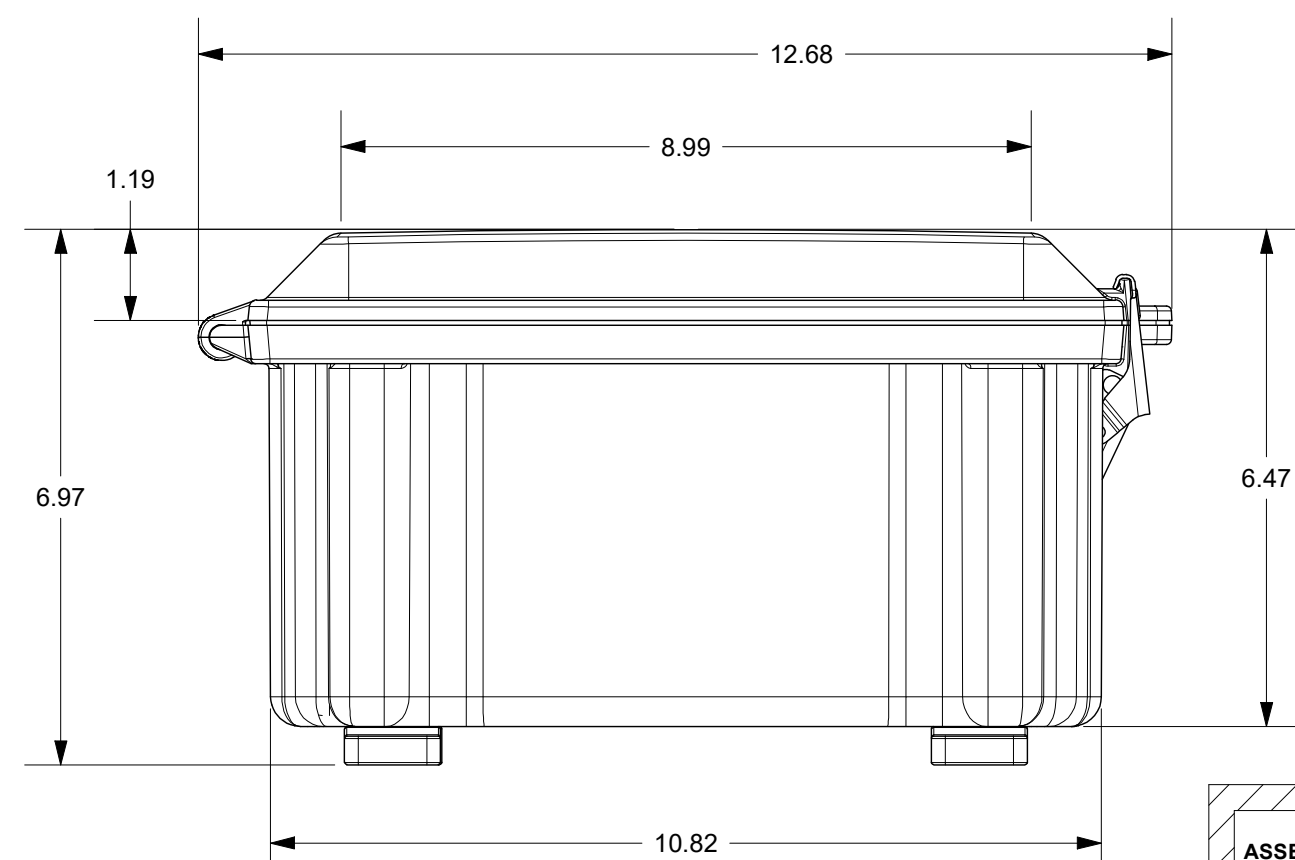
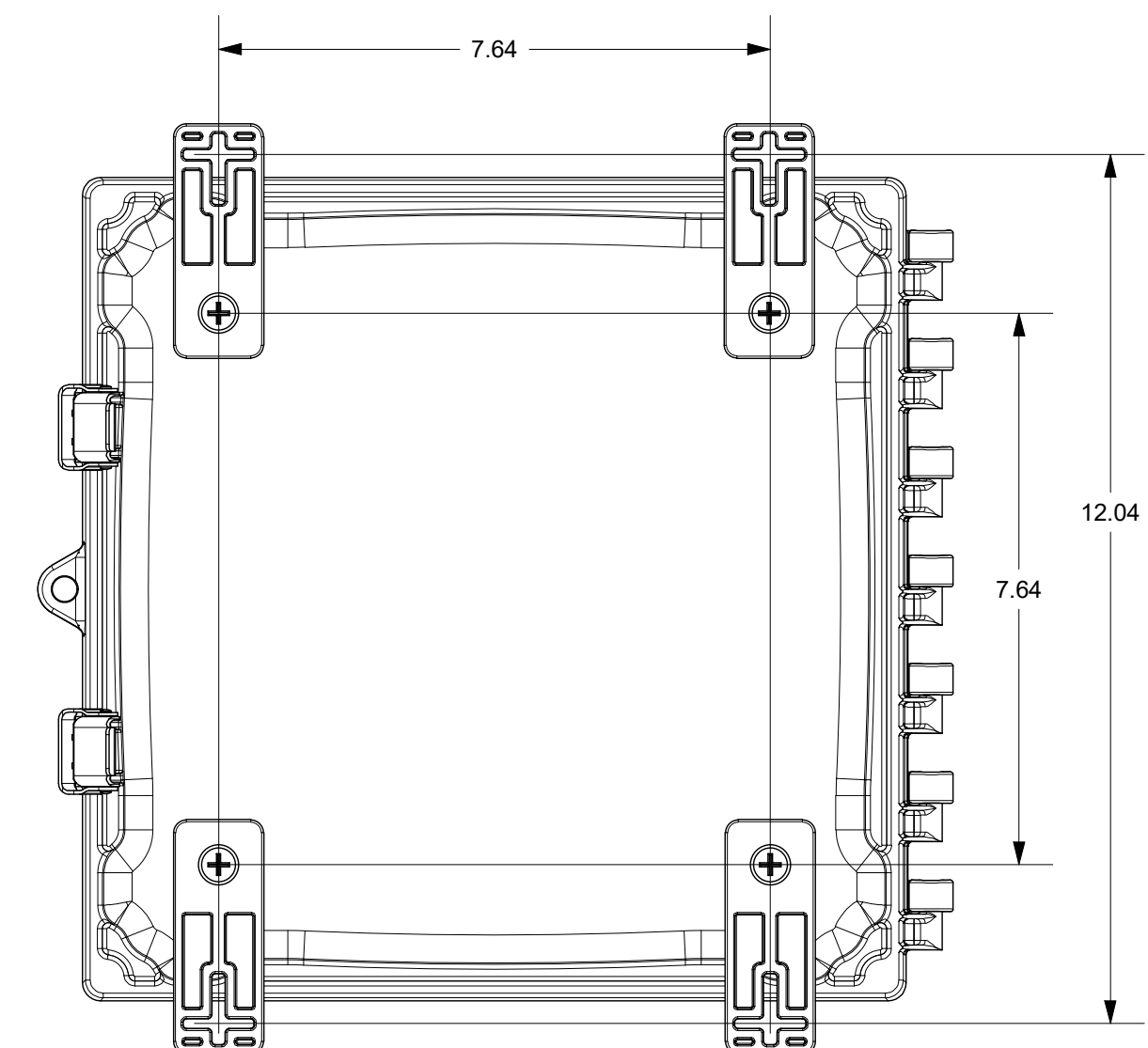
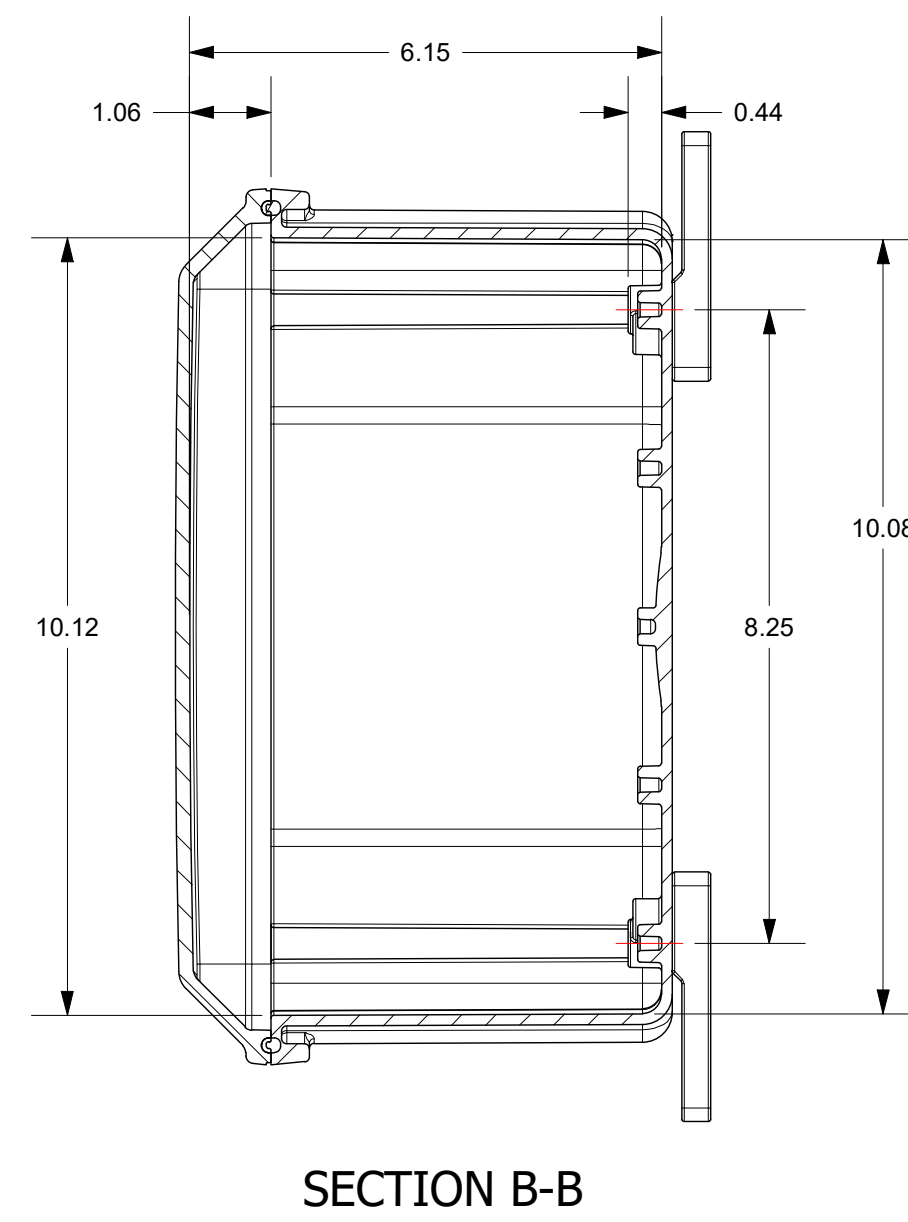
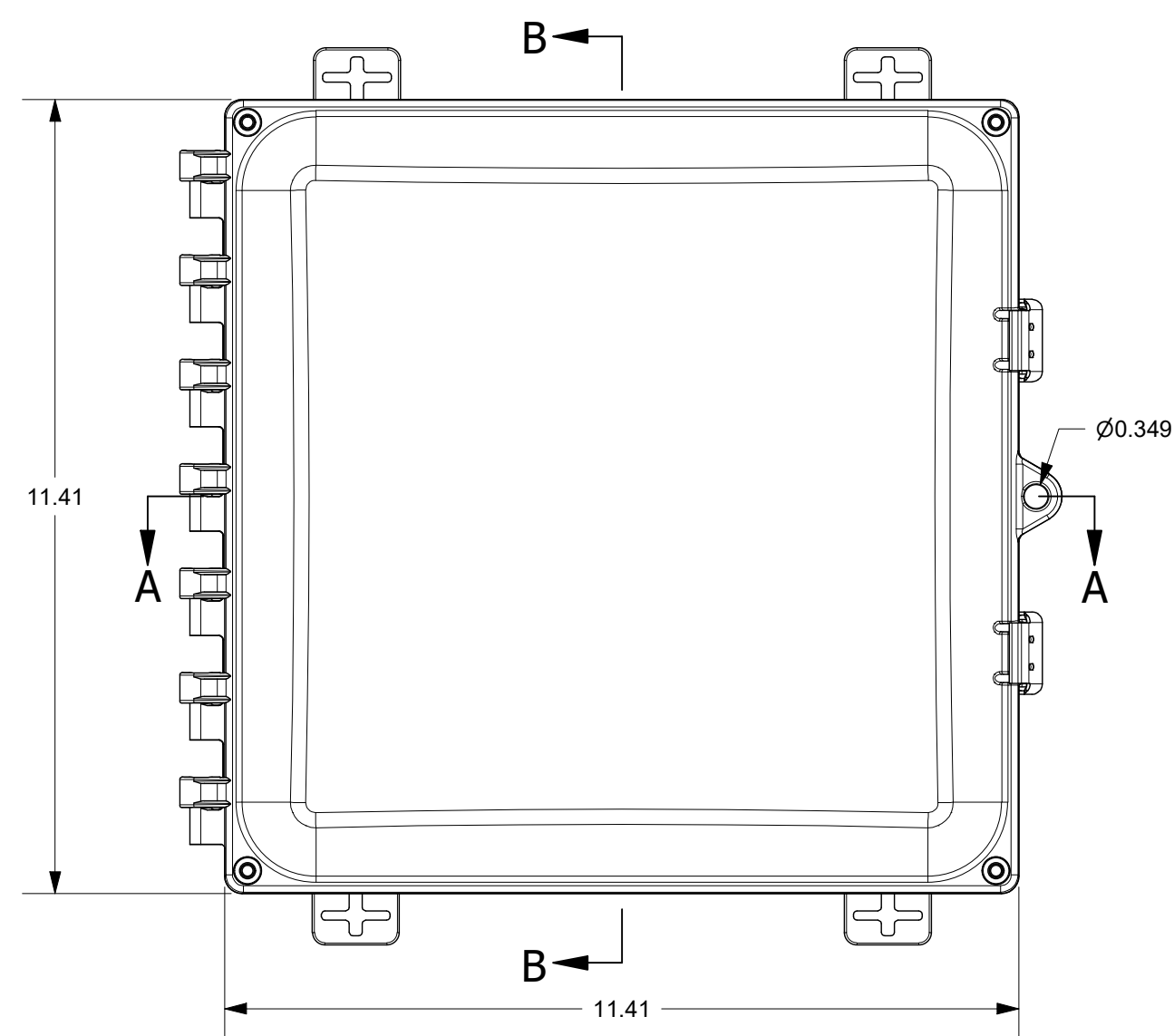
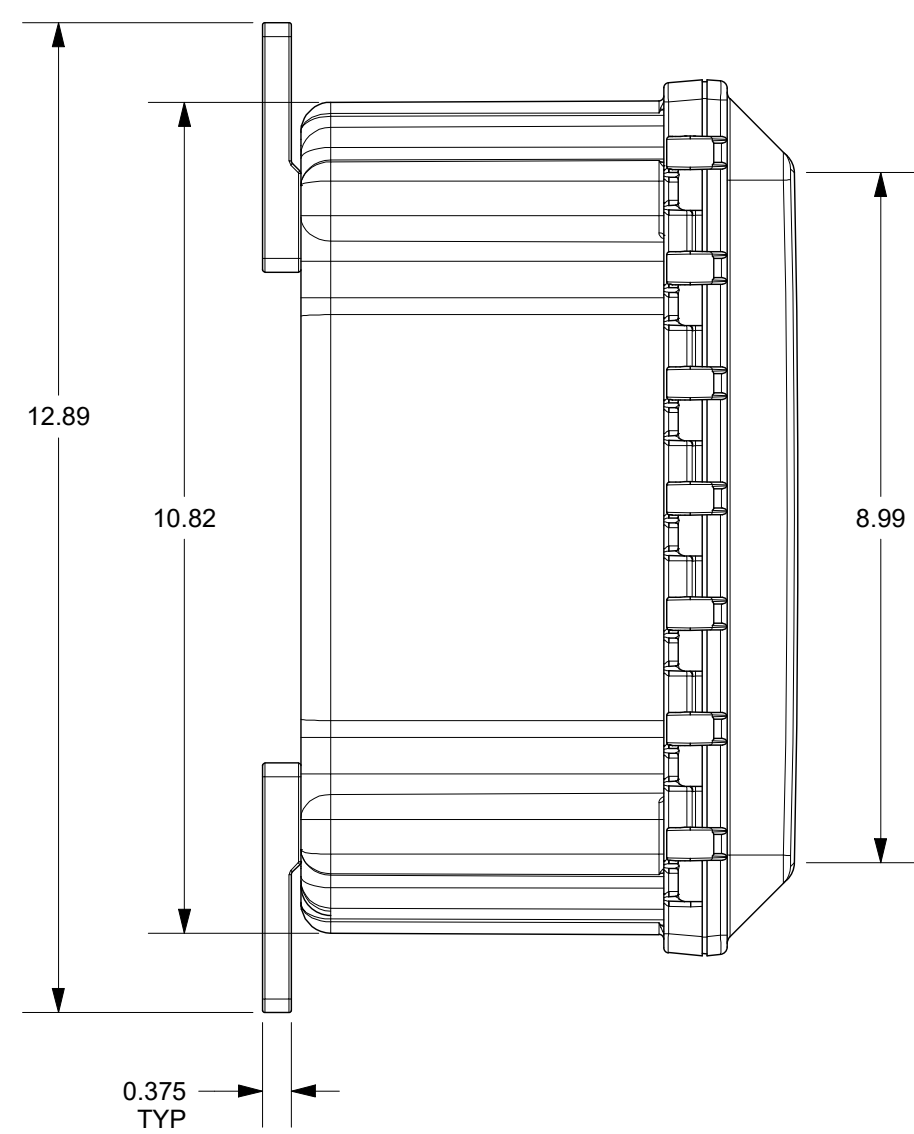


FOR REFERENCE ONLY  
MOUNTING FEET SHOWN AS INSTALLED



THIS DRAWING IS THE SOLE AND EXCLUSIVE PROPERTY OF ROBROY ENCLOSURES. NO PART OF THIS DRAWING MAY BE REPRODUCED, DISTRIBUTED, OR PUBLICALLY DISPLAYED IN ANY FORM OR BY ANY MEANS WITHOUT THE EXPRESS WRITTEN PERMISSION OF ROBROY ENCLOSURES. ALL RIGHTS RESERVED. UNDER THE COPYRIGHT LAWS. COPYRIGHT © 2020 ROBROY ENCLOSURES

- ASSEMBLY:**
- (1) ACCESSORY KIT (WPPCACCKIT) SHALL BE PACKAGED LOOSELY INSIDE ENCLOSURE
  - (1) STYROFOAM SHEET SHALL BE PLACED ON TOP OF COVER INSIDE CARTON
- SPECIAL REQUIREMENTS**
- HARDWARE INCLUDED:**
- (4) #1/4-20 x 1/2 FLAT HEAD PHILLIPS MACHINE SCREW (RMSC1/4-20X SFLPH)
  - (4) #10-32 x 5/8 PAN HEAD PHILLIPS MACHINE SCREW (RMSC10/32X5/8SS)
  - (4) #10-32 x 3/8 PAN HEAD SCREW (RMSC10/32X3/8ZN)
  - (4) #10 WASHER (RMWAS10ZN)

NEMA 250: TYPE 1, 3R, 4, 4X, 12		STANDARD P/N: AH10106SS		ALL DIMENSIONS ARE IN INCHES UNLESS OTHERWISE SPECIFIED		TOLERANCES UNLESS SPECIFIED		.XX ± 0.03		.XXX ± 0.010	
IEC 60529: IP66		CUSTOMER DWG:									
COLOR: N/A											
COLOR STANDARD: PANTONE 7541 C											
MATERIAL: POLYCARBONATE											
REVISION HISTORY											
REV	DESCRIPTION	DATE	ENG								
-	-	-	-								
-	-	-	-								
-	-	-	-								
-	-	-	-								
-	-	-	-								
-	-	-	-								
DRAWN BY: AA				DATE: 8/15/20		CUSTOMER		PART NUMBER		DWG	
SCALE: DO NOT SCALE				DESCRIPTION: STANDARD ENCLOSURE		PART NUMBER: ATAH10106SS		DWG: AH10106SS			

