

Enclosures **Heartland Series**

Polycarbonate Enclosure 16 x 14 x 8 Inches Heartland with Clear Cover with Stainless Steel Latches



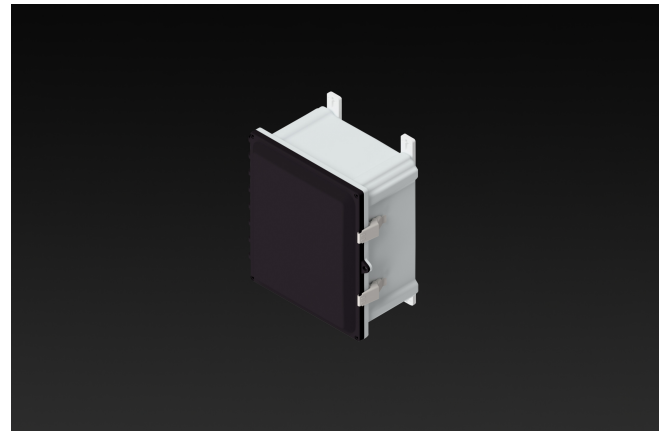
Catalog Number AH16148CSS
UPC 19156411672.0

List Price

\$347.52

Description

16H x 14W x 8D Inches Heartland (AH) Series is a high performance, polycarbonate enclosure applicable for heavy industrial conditions, but with a refined style suitable for commercial, industrial and OEM design applications. Heartland Series enclosures are rain-tight and watertight rated for use in both interior and exterior applications. This configuration features a clear cover which is hinged, latched and padlockable with stainless steel latches.



Application

Suitable for heavy industrial; commercial; and OEM applications

Features

- Latches and hinges do not penetrate enclosure
- Easy to remove lid
- High performance inserts
- integrated padlock hasp
- Flush-fit side mount swing panel and DIN rail system
- Molded in bosses
- Multi-directional mounting feet

- Single SKU with multiple cover attachment options

General Information

Color	Gray
Cover Type	Clear
Mounting Type	Wall Mount
Material	Polycarbonate
Back Panel Screw Size	#10-32x3/8
Back Panel Recommended Torque	16-20 in-lbs.
Back Panel Screw Material	Zinc Plated
Cover Screw Size	#10-32 x 5/8
Cover Screw Recommended Torque	20-24 in-lbs.
Cover Screw Material	304 SS
Mounting Foot Screw Size	1/4-20 x 1/2
Mounting Foot Screw Recommended Torque	10-14 in-lbs.
Installation Mounting Torque	25-30 in-lbs. Max
Metal Inserts	Brass
Hinge Material	Integral Polycarbonate
Latch Material	316 SS
Gasket Material	Poured In Place (PIP) Polyurethane Seamless
Country of Origin	USA

Dimensions

Height (in)	16.0
Width (in)	14.0
Depth (in)	8.0
Height (mm)	406.0
Width (mm)	356.0
Depth (mm)	203.0
Useable Depth (in)	8.7
Useable Depth (mm)	220.0

Standards

**NEMA 10250; UL 50; UL 50e;
UL508A** cULus Listed File #E319779

Type 1; 3R; 4; 4X; 12

IEC 60529

Temperature Range °F -40°F to +248°F

Temperature Range °C -40°C to +120°C

Flammability Rating UL94-5VA

Outdoor Exposure UL746c (f1) Rated

CE Certified

Latch Material
Stainless Steel